

AR24J AERIAL WORK PLATFORM PARTS CATALOG



LINGONG HEAVY MACHINERY CO., LTD.

Spare parts and services

For the owner of the machines of LGMG, only the spare parts and services of LGMG can make your machine to better maintain the original features.

Only LGMG is able to provide you with the perfect match of pure quality spare parts for your machine and knowledge of professional maintenance staff. Only in this way it can ensure sustainable high productivity and longer service life.

AR24J AERIAL WORK PLATFORM PARTS CATALOG

2014-11 Version 1 Printed 1

L I N G O N G H E A V Y M A C H I N E R Y C O . , L T D .

Add: Zhongrun Century Square, No. 13777, Jingshi Road, Lixia, Jinan, Shandong, P.R. China

Tel: 86-0531-81663345

Fax: 86-0531-81666853

Web: WWW.LGMG.COM.CN

FOREWORD

This parts catalog of AR24J aerial work platform is made for the convenience of users to use, repair and maintain the machine, which can be referred in the process of using. It can also help the users to be familiar with the structure and assembly relation of the machine. Parts of the engine are showed in details in its structure handbook, which are no longer contained in the catalog.

The catalog identifies drawings and assembly relations of different parts according to the system. Components which can not be taken apart, such as welding parts or riveted assemblies, are marked only by their code without the list of their consisting parts. The list in the catalog is arranged in Chinese and English.

This catalog is based on the AR24J standard product, which can be a reference for the other nonstandard products, for more information, please consult LGMG, the local dealer or LinGong website. With the advancement of technology, we will keep on improving the product, so some content in the catalog may be inconsistent with the future products, which will not notice the users. When ordering the spare parts, please be kindly inform us the manufacturing date and serial number of the machine.

THE COMPILER
2013.6

CONTENTS

A. Diesel engine system	BoM Reference	Page
Engine assy	A0100-2501003442.S1B	12
Engine coupling sys	A0100-2501003485.S1A	14
Coupling	A0100-4110001834	16
Engine v2403-m-di-e3b-lgl1t (1j879-17000)	A0100-4110705279	18
Engine fuel sys	A0100-2501003451.S1B	22
Engine air intake sys	A0100-2501003494.S1B	26
Filter	A0100-4110001498	30
Engine cooling system	A0100-2501003452.S1A	32
Radiator assy m9117208(10183)	A0100-4110706982	34
Engine mounting sys	A0100-2501003454.S1A	36
Engine tray fixing rod, for tray limiting	A0100-2501001665.S1A	40
Engine exhaust system	A0100-2501003455.S1B	42
Fuel tank assy	A0200-2502000346.S1B	44
Fuel tank assy lg02-ryx-030 (10440)	A0200-4110706986	46
Rotating component protection assy	A0100-2501003671.S1A	48
B. Axle system	BoM Reference	Page
Fr axle assy	B0400-2504000841.S1A	52
Rear axle assy	B0500-2505000477.S1A	54
D. Chassis system	BoM Reference	Page

Chassis assy	D1600-2516004816.S1A	58
--------------	----------------------	----

E. Brake system	BoM Reference	Page
------------------------	----------------------	-------------

Brake assy	E0600-2506000285.S1B	62
Steering ctrl valve st5699-ab0b (10311)	E0600-4120709376	66
Steering control valve st5699-ab0b (11156)	E0601-4120709376	68

F. Steering system	BoM Reference	Page
---------------------------	----------------------	-------------

Drive shaft assy	F8200-2582000050.S1A	72
------------------	----------------------	----

H. Swing system	BoM Reference	Page
------------------------	----------------------	-------------

Turntable assy	H2300-2523002727.S1B	76
Swing mechanism installation	H2500-2525000153.S1C	82
Counterweight assy	H2800-2528000559.S1B	84

I. Cover accessory	BoM Reference	Page
---------------------------	----------------------	-------------

Covering accessories	I2900-2529003469.S1B	88
Lh fr hood assy	I2900-2529001974.S1E	92
Lh rr hood assy	I1700-2529001976.S1A	94
Latch assy	I2900-2529000289.S1B	96
Right front hood assy	I2900-2529003470.S1A	98
Rh rr hood assy	I2900-2529001977.S1A	100

J. Boom system	BoM Reference	Page
Booms assy	J2200-2522004954.S1B	104
Telescopic booms assy	J2200-2522004955.S1E	106
Primary boom extension boom assy	J2200-2522004960.S1A	110
Primary boom extension boom kit	J2200-2522004961.S1E	112
Primary boom assy	J2200-2522004956.S1B	114
Primary boom kit	J2200-2522004957.S1E	116
Telescopic booms lift assy	J2200-2522005260.S1C	118
Upr link kit	J2200-2522005261.S1B	120
Lwr link kit	J2200-2522005263.S1C	122
Sec boom and extension boom assy	J2200-2522004964.S1E	124
Secondary boom assy	J2200-2522004965.S1B	128
Secondary boom subassy	J2200-2522004966.S1D	130
Extension boom assy	J2200-2522004969.S1A	132
Secondary boom extension boom kit	J2200-2522004970.S1E	134
Limit seat	J2200-2522005290.S1B	136
Cable track assy	J2400-2524000614.S1B	138
Cable track assy	J2400-2524000608.S1B	140
Cable track bracket assy	J2400-2524000612.S1A	144
Sec boom and ext boom cable track assy	J2400-2524000610.S1C	146
Jib assy	J2700-2527000431.S1D	148

Link connecting bracket assy	J2700-2527000432.S1A	150
Upr link assy	J2700-2527000437.S1C	152

K. Platform assembly	BoM Reference	Page
Platform assy	K2100-2521009257.S1A	156
Platform framework assy	K2100-2521007416.S1B	158
Sliding rail	K2100-2521005833.S1C	162
Sliding rail	K2100-2521003957.S1C	164
Platform half mesh	K2100-2521007248.S1A	166

L. Hydraulic system	BoM Reference	Page
Traveling hyd assy	L0700-2507000993.S1B	170
Pipeline filter kgl-0100005l	L2300-4120704833	174
Pipeline filter kgl-0100005l	L2301-4120704833	176
Lift hyd assy	L0800-2508001093.S1E	178
Sec boom ext hyd cyl 85*65*2382*3622 (10570)	L0800-4120713071	190
Turntable hyd assy	L0900-2509000415.S1B	194
Filter	L2700-4120703941	202
Auxiliary hydraulic power	L2500-4120709047	204
Auxiliary hydraulic power	L2501-4120709047	206
Swing reducer fsa80-17a36(10392)	L2700-4120710437	208
Hyd oil tank assy	L1000-2510000883.S1A	214

Hyd oil tank delivered assembled	L1000-2510000884.S1A	216
Air filter assembly	L2201-4120001427	220
Oil return filter rfa-250*5f	L2200-4120001707	222
Axle oscillate hyd assy	L1100-2511000204.S1A	224
Counterbalance valve	L2600-4120703553	230
Oscillate cylinder	L2600-4120708911	232
Valve	L2600-4120703386	234
Platform rotate hyd assy	L1200-2512000312.S1D	236
Platform controller	L2700-4120709068	242
Rotator	L2700-4120707982	244
U-bolt assy	L2200-2522005397.S1A	248
Valve	L2700-4120707614	250

M. Electric system	BoM Reference	Page
Platform elec assy	M3300-2533002100.S1C	254
Platform protection assy	M3300-2533001594.S1C	258
Anti-crushing rod assembly	M3200-2521004246.S1B	260
Pcu assy	M3300-2533002097.S1A	262
Upr control box delivered assembled	M3300-2533001743.S1A	266
Turntable elec assy	M3100-2531002856.S1B	268
Gcu assy	M3100-2531002700.S1B	276
Gcu delivered assemble	M3100-2531002245.S1B	280

Hyd oil cooler assy	M0300-2503000126.S1B	282
6.5kw hyd generator assy ar24j (as)	M7000-2570000115.S1A	284
Hyd generator module 6.5kw	M7200-2572000113.S1A	286

O. Gps system**BoM Reference****Page**

Gps system	O3600-2536000555.S1B	290
------------	----------------------	-----

P. Sign and logo**BoM Reference****Page**

Logo and decal	P3400-2534005250.S1B	294
----------------	----------------------	-----

Q. Tool kit**BoM Reference****Page**

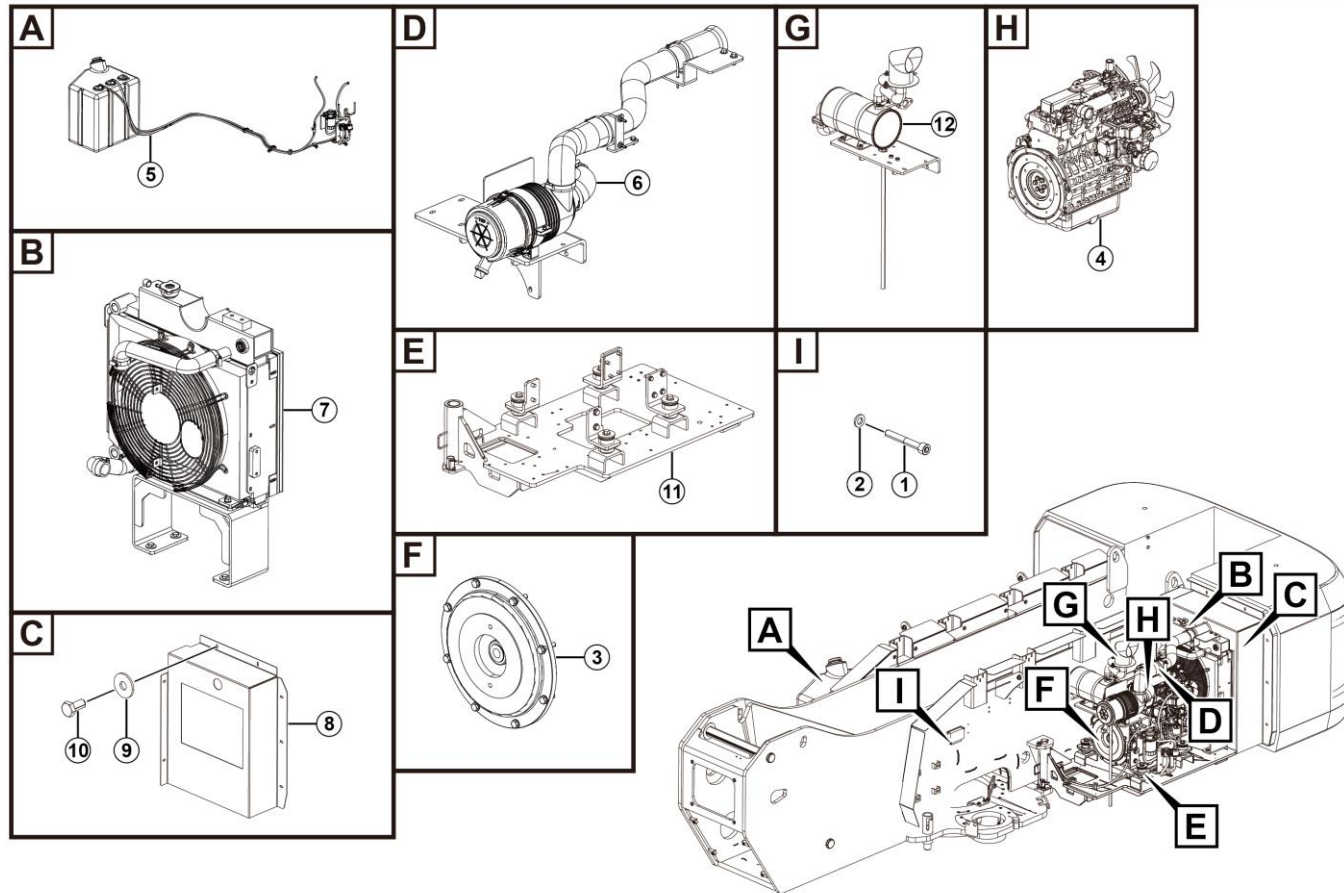
Schematic diagram	Q0000-2500000653.S1A	300
-------------------	----------------------	-----

A
DIESEL ENGINE SYSTEM



LINGONG HEAVY MACHINERY CO., LTD.

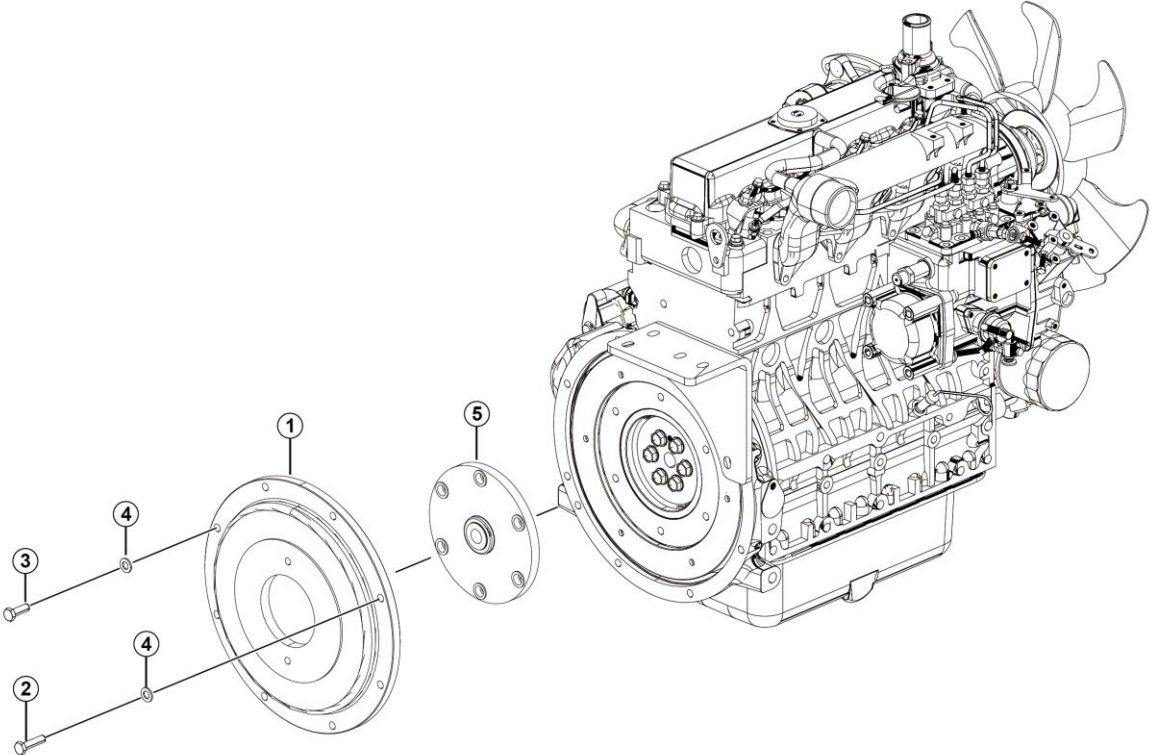
Engine assy



A0100-2501003442.S1B

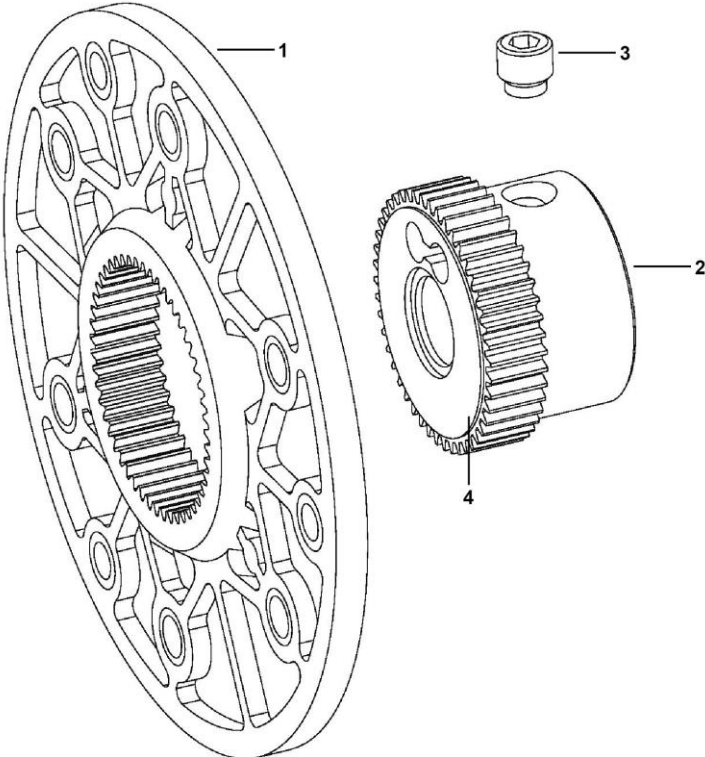
Key	Part No.	Description	Spare parts Y/N	Qty	Remarks
1	4014010307	Screw	Y	2	
2	4015010284	Washer gb97.1-6flznyc-480	Y	2	
3	25010034851	Engine coupling sys	N	1	
4	4110705279	Engine	Y	1	
5	25010034511	Engine fuel sys	N	1	
6	25010034941	Engine air intake sys	N	1	
7	25010034521	Engine cooling system	N	1	
8	25010034961	Adjusting plate	Y	1	
9	4015010278	Washer gb96.1-10flznyc-480	Y	7	
10	4011010748	Bolt gb5783-m10*20flznyc-8.8-480	Y	7	
11	25010034541	Engine mounting system	N	1	
12	25010034551	Engine exhaust system	N	1	

Engine coupling sys



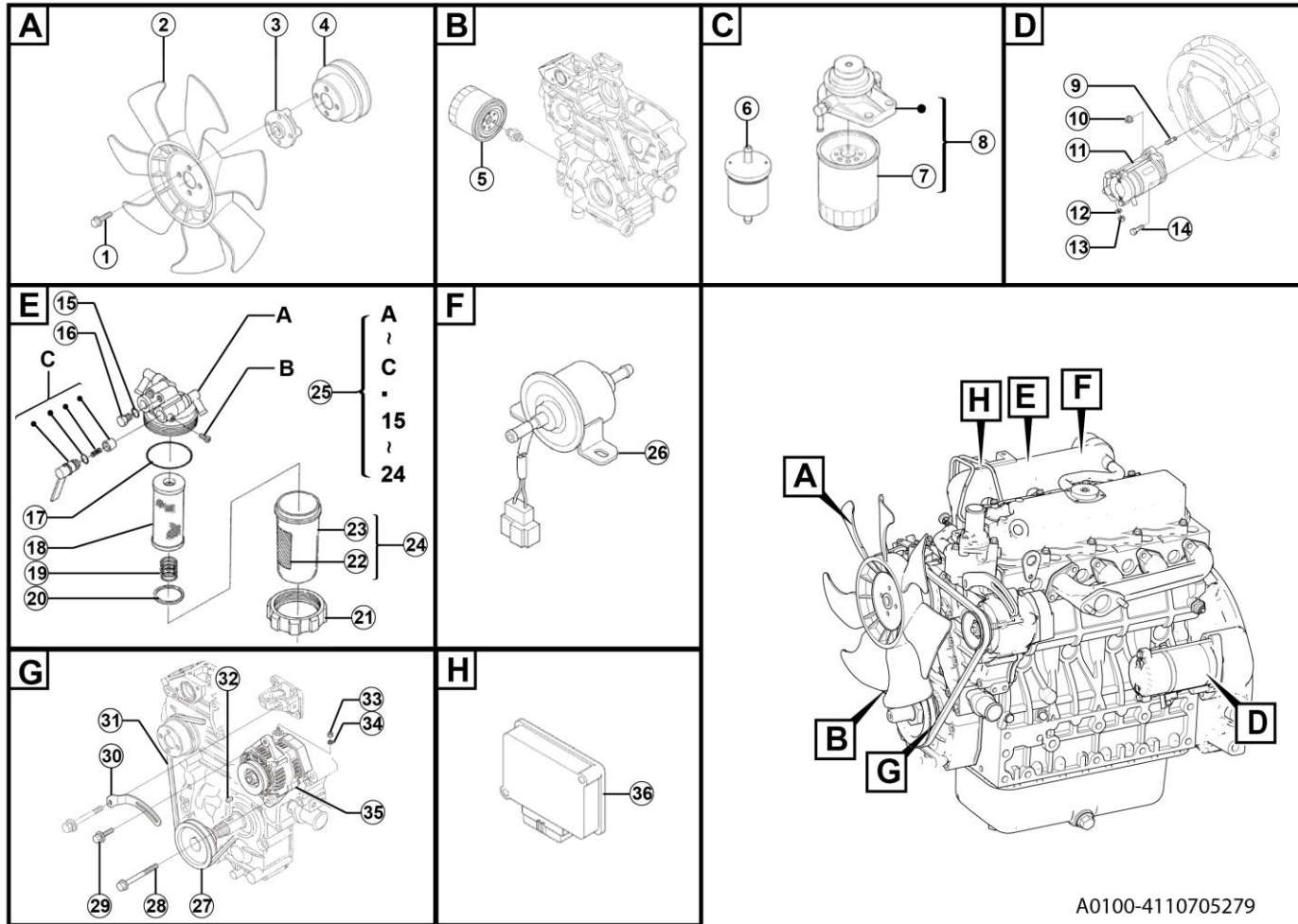
A0100-2501003485.S1A

Coupling



A0100-4110001834

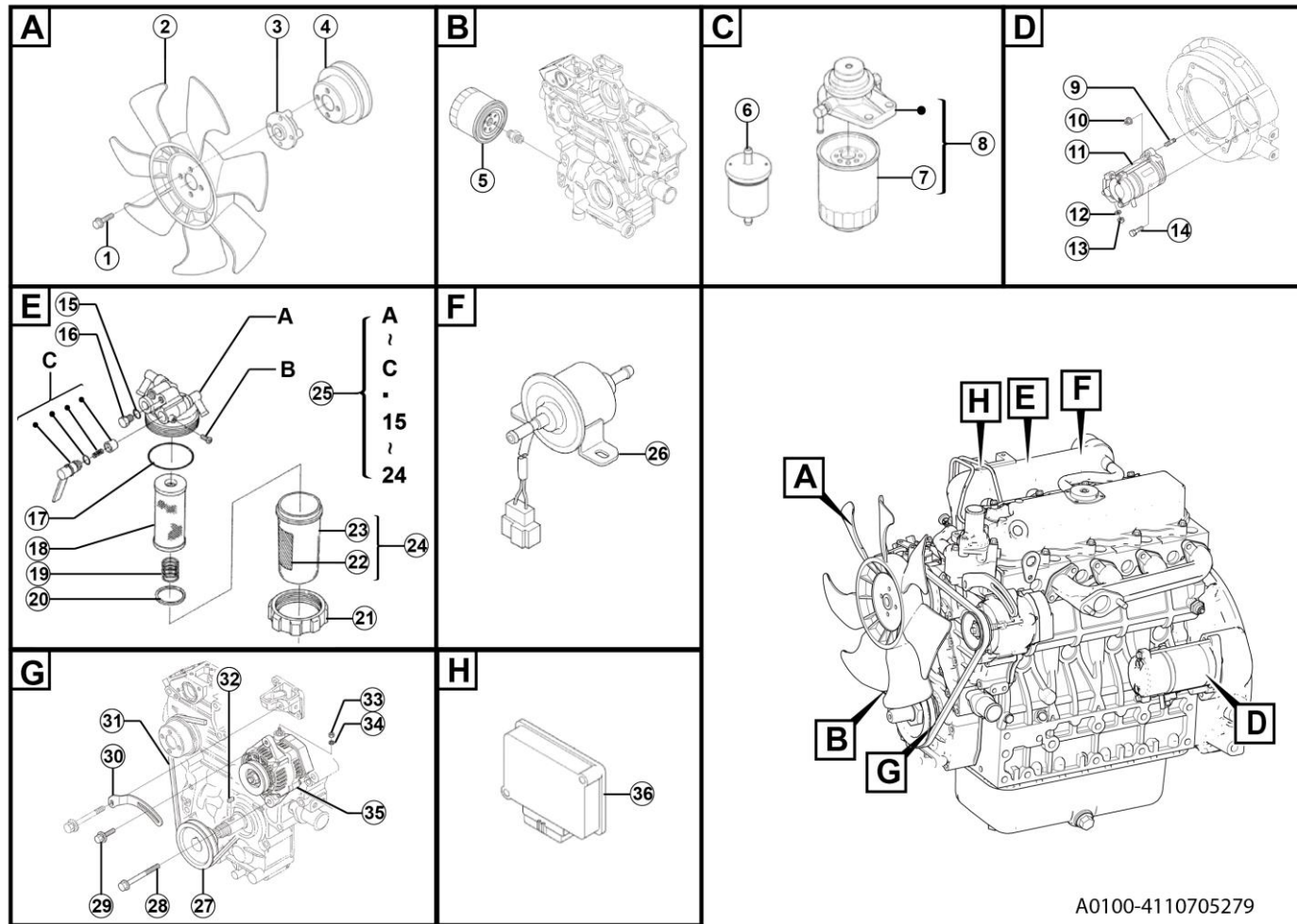
Engine v2403-m-di-e3b-lgl1t (1j879-17000)



A0100-4110705279

Key	Part No.	Description	Spare parts Y/N	Qty	Remarks
1	4110001811508	Flange bolt	Y	4	
2	4110702364030	Fan	Y	1	
3	4110705279212	Fan collar 1a230-74150	Y	1	
4	4110705279213	Pulley tc803-74250	Y	1	
5	4110001811001	Oil filter	Y	1	
6	4110001806	Primary filter 12581-43012	Y	1	
7	4110703186001	Fuel coarse filter element	Y	1	
8	4110001809	Oil filter	Y	1	
9	4110001811443	Double-screw bolt	Y	1	
10	4110001811445	Flange nut	Y	1	
11	4110001811554	Starter	Y	1	
12	4110001811249	Spring washer	Y	1	
13	4110001811446	Nut	Y	1	
14	4110001811444	Bolt	Y	1	
15	4110703246051	O-ring 04817-00060	Y	1	
16	4110703246050	Bolts 15231-43283	Y	1	
17	4110703246046	O-shaped filter cup ring 16271-43572	Y	1	
18	4110001811392	Filter element	Y	1	
19	4110001811393	Spring	Y	1	
20	4110001811394	Floater	Y	1	
21	4110703246045	Card ring 16271-43590	Y	1	
22	4110703246044	Label 15831-87462	Y	1	

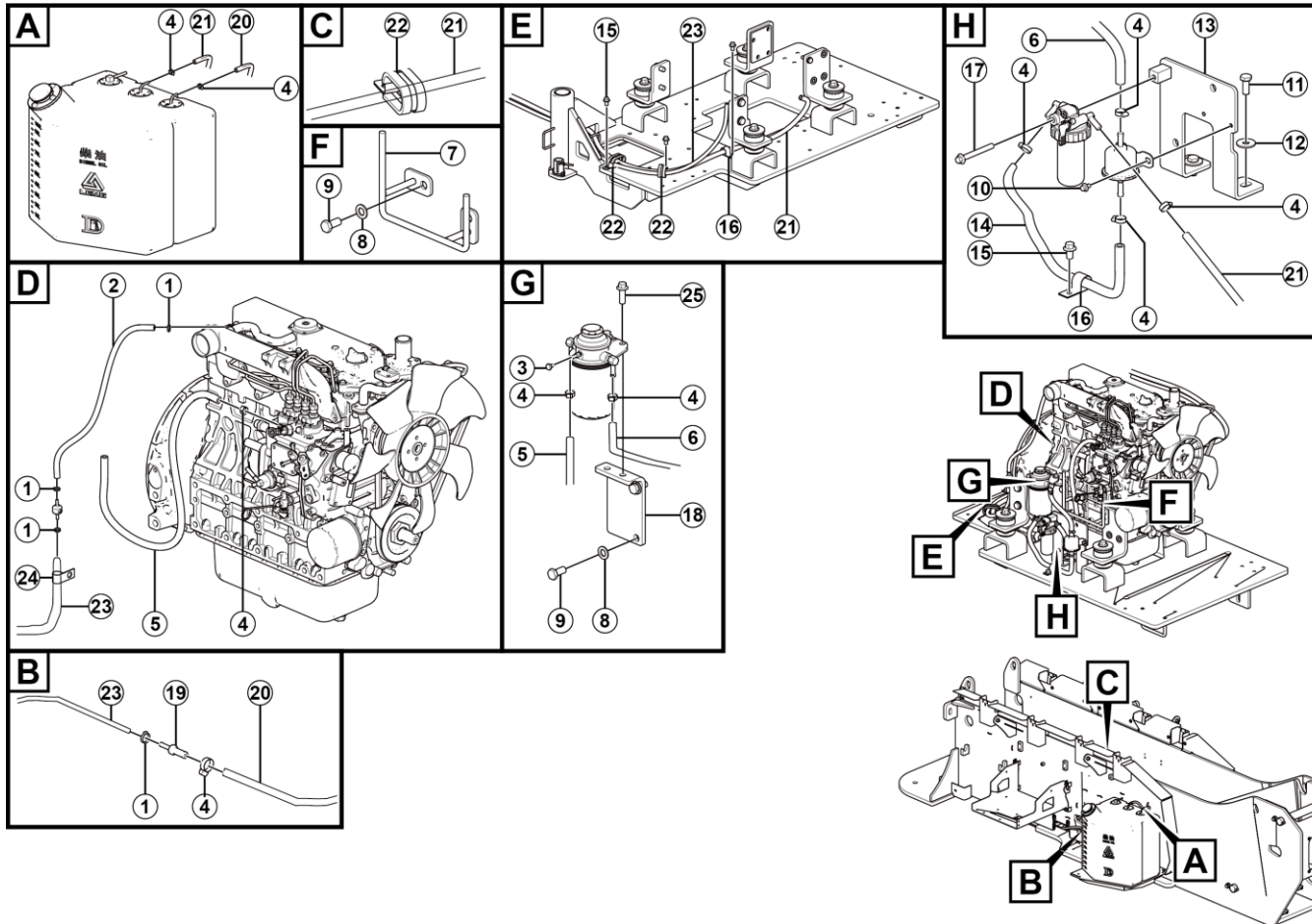
Engine v2403-m-di-e3b-lgl1t (1j879-17000)



A0100-4110705279

Key	Part No.	Description	Spare parts Y/N	Qty	Remarks
23	4110001811389	Filter bowl	Y	1	
24	4110001811387	Filter bowl assembly	Y	1	
25	4110703246042	Separator assembly 15831-43354	Y	1	
26	4110702364032	Pump1g377-52030	Y	1	
27	4110705279200	Fan drive pulley 1j876-74280	Y	1	
28	4110001811398	Flange bolt	Y	1	
29	4110001811399	Bolt01127-50830	Y	1	
30	4110705279199	Engine bracket 1j864-64420	Y	1	
31	4110001811002	Belt	Y	1	
32	4110705279201	Feather key 05712-00512	Y	1	
33	4110001811346	Nut02056-50060	Y	1	
34	4110001811326	Spring washer04512-50060	Y	1	
35	4110001811006	Alternator	Y	1	
36	4110705279227	Ecu 1k722-60600	Y	1	

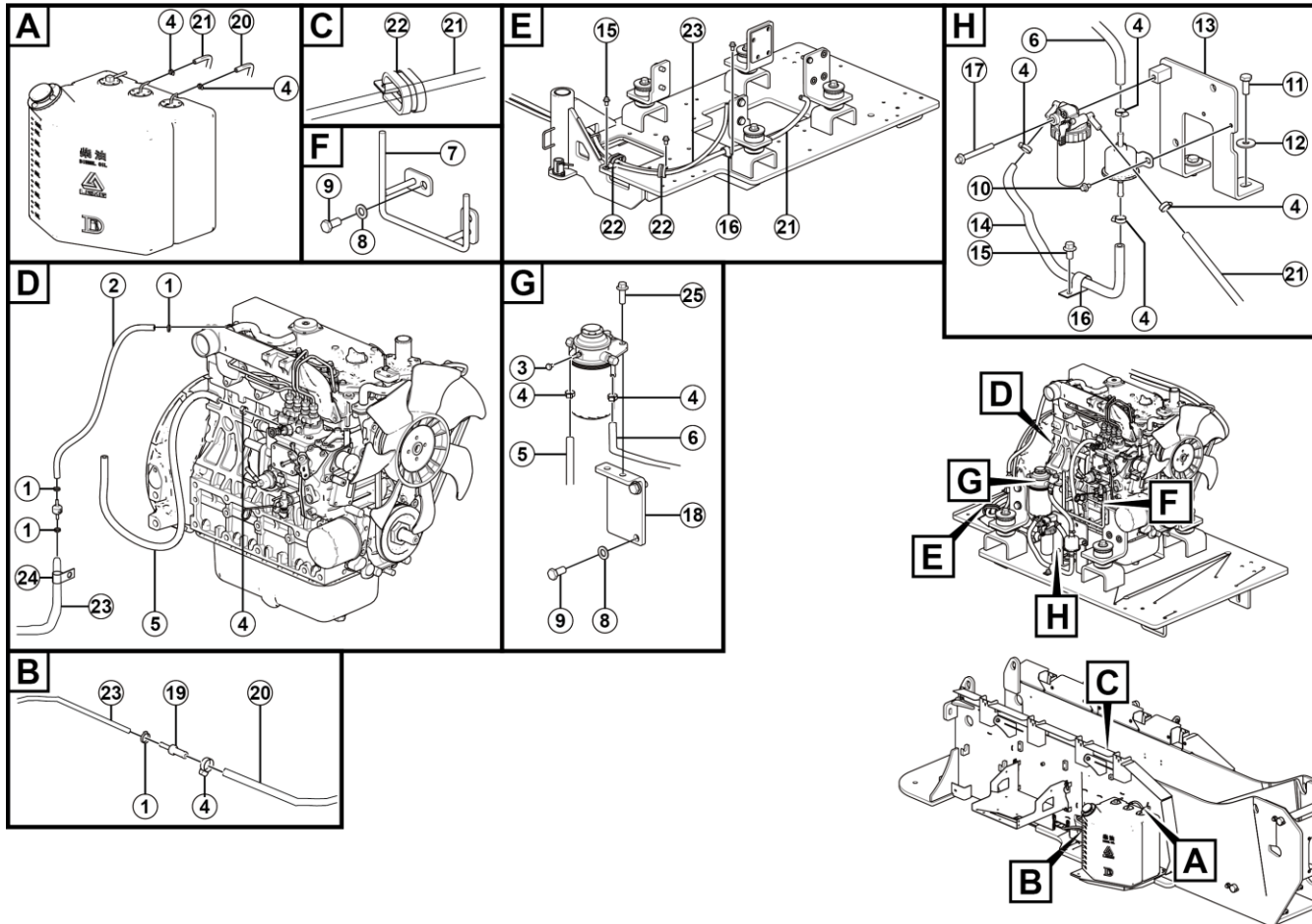
Engine fuel sys



A0100-2501003451.S1B

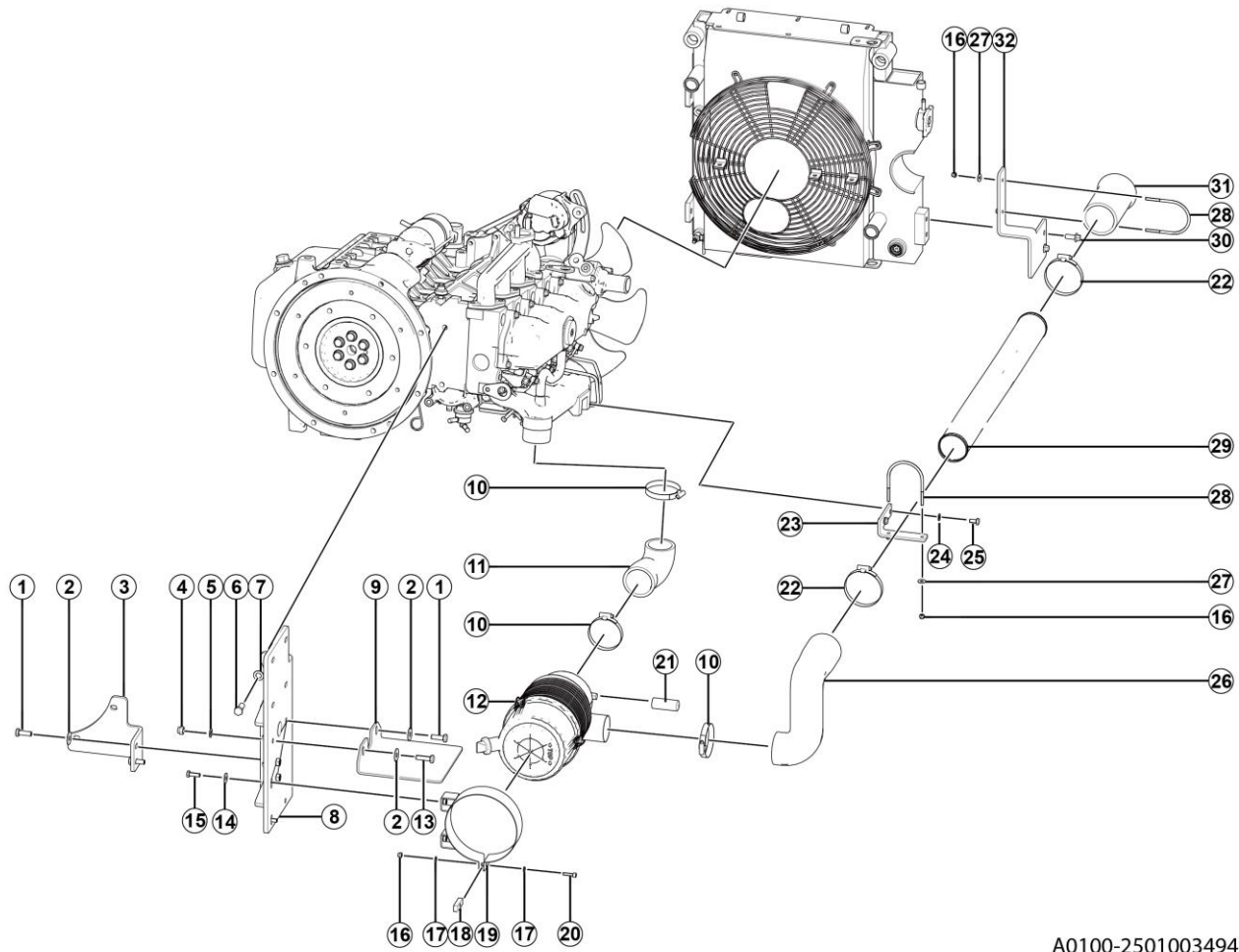
Key	Part No.	Description	Spare parts Y/N	Qty	Remarks
1	4017000040	Hose clamp jb8870-d12	Y	4	
2	4049010115	Tube lzb103-5*500-p	Y	1	
3	25010004301	Plug	Y	1	
4	4017010173	Hose jb8870-d16	Y	10	
5	4049010318	Hose lzb103-8*850-p	Y	1	
6	4049010270	Tube lzb103-8*250	Y	1	
7	25010035031	Mounting bracket wldmt	Y	1	
8	4015010340	Washer gb97.1-12flznyc-300hv-480	Y	3	
9	4011011114	Bolt gb5783-m12*1.25*25flznyc-8.8	Y	3	
10	4011011567	Screw gb16674.1-m6*10flznyc-8.8-480	Y	2	
11	4011010722	Bolt gb5783-m10*25flznyc-8.8-480	Y	2	
12	4015010278	Washer gb96.1-10flznyc-480	Y	2	
13	25010032801	Fuel elek pump bracket wldmt	Y	1	
14	4049010288	Hose lzb103-8*450	Y	1	
15	4011011088	Bolt gb16674-m10*16flzny-8.8-480	Y	4	
16	4041002384	Clamp	Y	2	
17	4011011077	Bolt gb16674-m8*70flznyc-8.8-480	Y	1	
18	25010035861	Fine filter bracket wldmt	Y	1	
19	25010018291	Joint	Y	1	
20	4049010120	Tube lzb103-8*1100-p	Y	1	
21	4049010302	Hose lzb103-8*3300-p	Y	1	
22	4041010653	Clamp	Y	3	

Engine fuel sys



A0100-2501003451.S1B

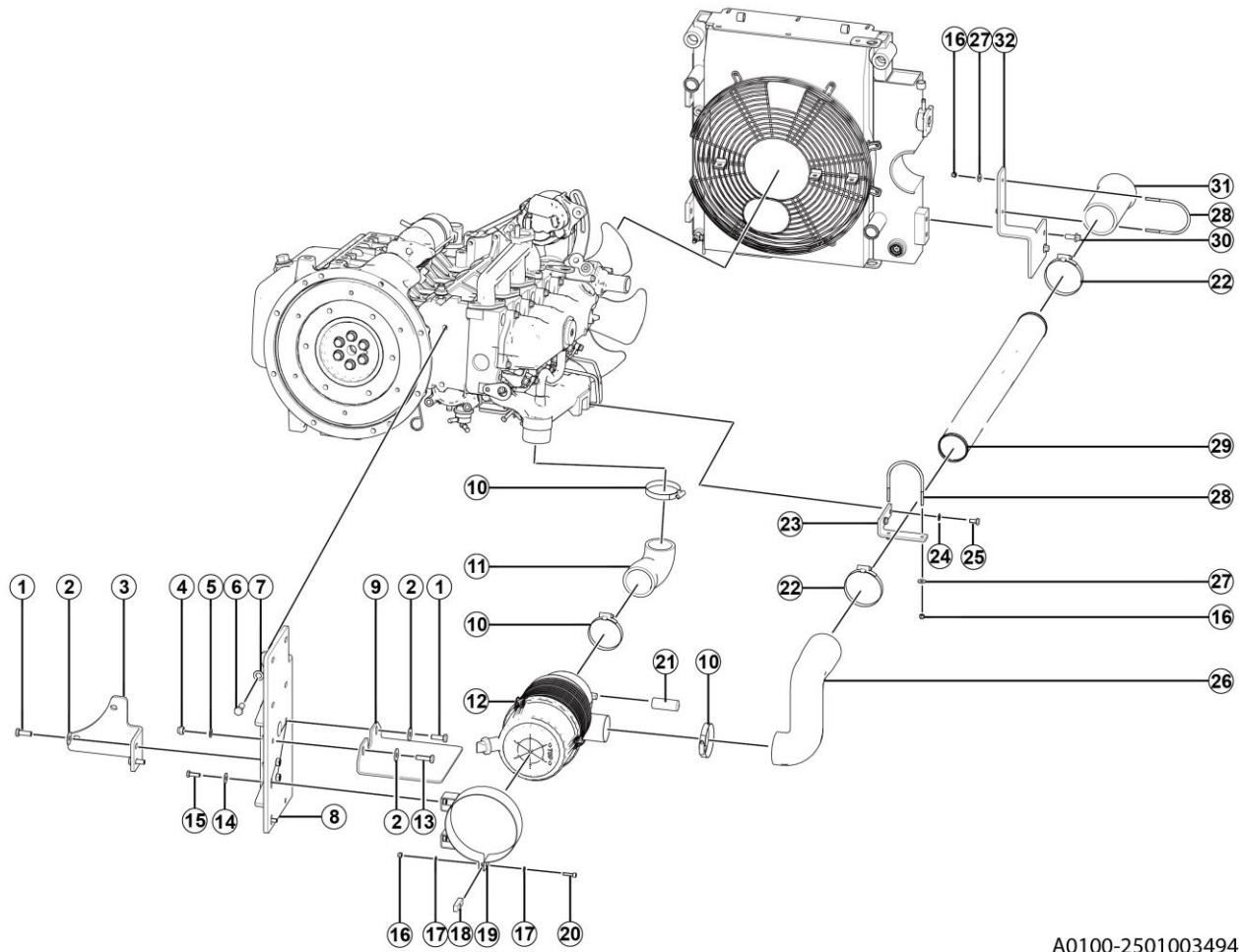
Engine air intake sys



A0100-2501003494.S1B

Key	Part No.	Description	Spare parts Y/N	Qty	Remarks
1	4011010707	Bolt gb5783-m10*30flznyc-8.8-480	Y	3	
2	4015010278	Washer gb96.1-10flznyc-480	Y	4	
3	25010034861	Fixing plate 184*90*152	Y	1	
4	4013010296	Nut gb889.1-m10flznyc-8	Y	1	
5	4015010339	Washer gb97.1-10flznyc-300hv-480	Y	1	
6	4011011428	Bolt gb5786-m12*1.25*30flznyc-8.8-480	Y	2	
7	4015010340	Washer gb97.1-12flznyc-300hv-480	Y	2	
8	25010034901	Air filter bracket wldmt	Y	1	
9	25010034871	Guard 206*65*200	Y	1	
10	4017000014	Hose clamp jb8870-d80	Y	3	
11	25010006081	Hose	Y	1	
12	4110001498	Air cleaner g068663	Y	1	
13	4011010727	Bolt gb5783-m10*35flznyc-8.8-480	Y	1	
14	4015010289	Washer gb96.1-8flznyc-480	Y	2	
15	4011010743	Bolt gb5783-m8*25flznyc-8.8-480	Y	2	
16	4013010300	Nut gb889.1-m6flznyc-8-480	Y	5	
17	4015010284	Washer gb97.1-6flznyc-480	Y	2	
18	25010013791	Air cleaner ferrule cushion block, for mounting air cleaner ferrule	Y	1	
19	25010014391	Welding, 6-inch air cleaner ferrule, for mounting air cleaner	Y	1	
20	4014010119	Screw gb70.1-m6*25flznyc-8.8-480	Y	1	
21	4110001403	Mechanical differential pressure alarm raxoo-2102	Y	1	
22	4017000013	Hoop jb8870-d90	Y	2	

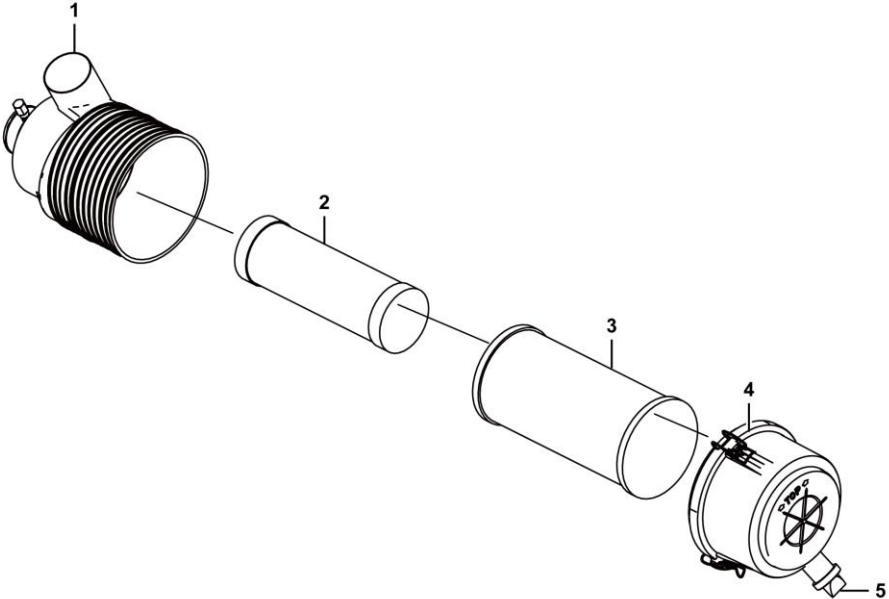
Engine air intake sys



A0100-2501003494.S1B

Key	Part No.	Description	Spare parts Y/N	Qty	Remarks
23	25010030531	Plate	Y	1	
24	4015010280	Washer gb97.1-8flznyc-480	Y	2	
25	4011010970	Bolt gb5783-m8*16flznyc-8.8-480	Y	2	
26	25010030521	Tube	Y	1	
27	4015010296	Washer gb96.1-6flznyc-480	Y	4	
28	25550000931	Bolt	Y	2	
29	25010034911	Air intake pipe 70*1.5*547	Y	1	
30	4011011015	Bolt gb16674-m10*25flznyc-8.8-480	Y	2	
31	25010034931	Air intake port hose 70*7*155	Y	1	
32	25010034921	Air intake port bracket 264*140*82	Y	1	

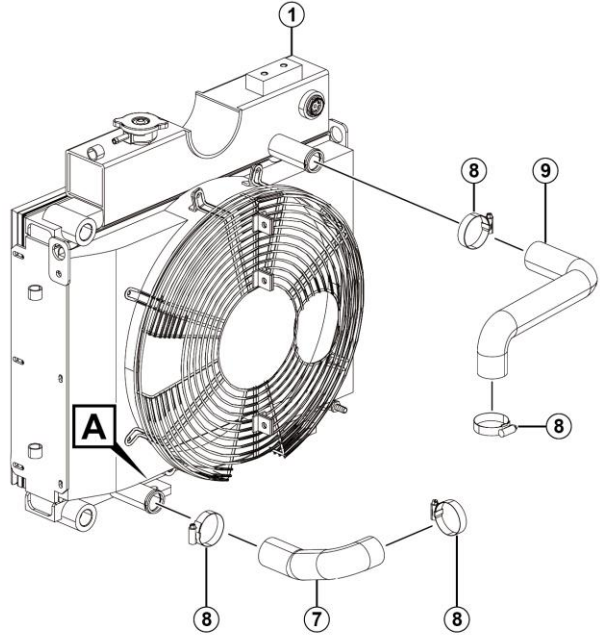
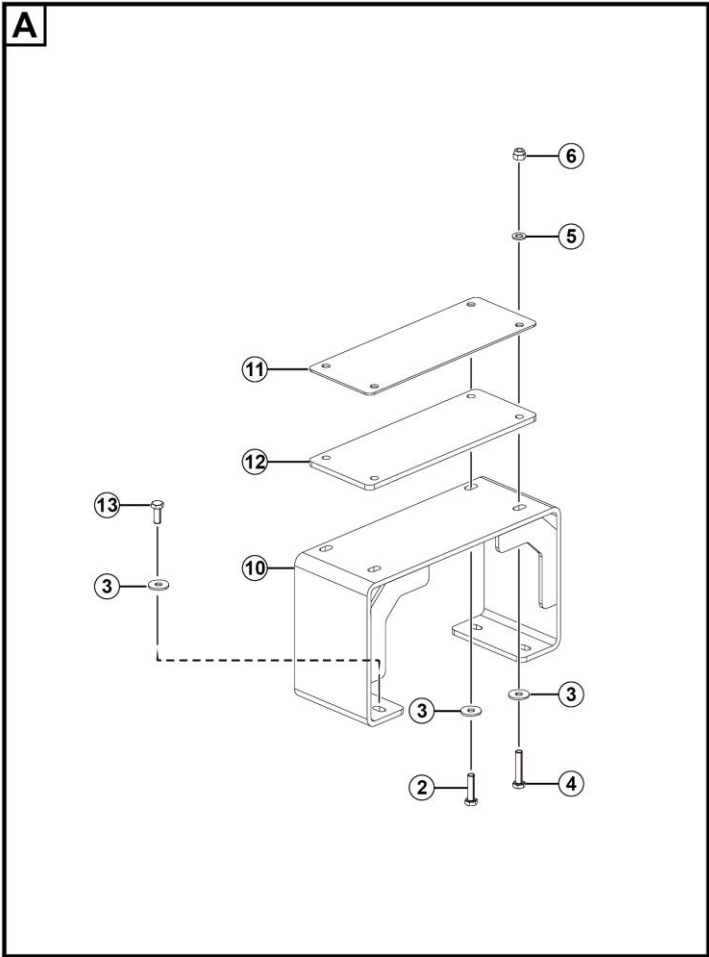
Filter



Key	Part No.	Description	Spare parts Y/N	Qty	Remarks
1	4110001498002	Housing r000666	Y	1	
2	4110001498003	Inner filter element p822769	Y	1	
3	4110001498004	Primary filter element p822768	Y	1	
4	4110001498005	Rear cover p834630	Y	1	
5	4110001498006	Exhaust valve p808427	Y	1	



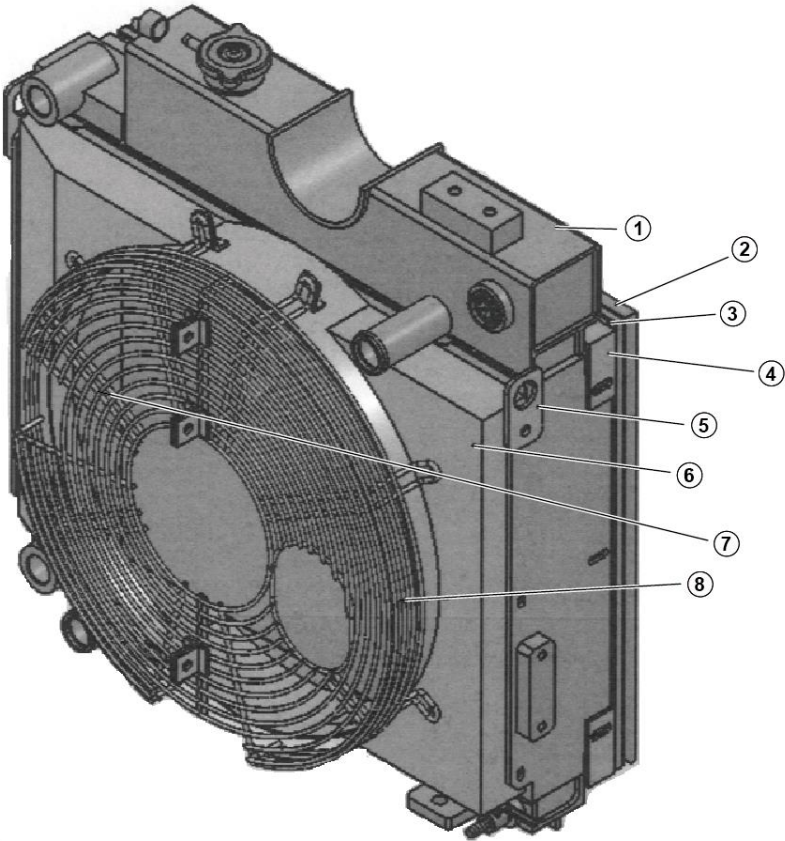
Engine cooling system



A0100-2501003452.S1A

Key	Part No.	Description	Spare parts Y/N	Qty	Remarks
1	4110706982	Radiator assy m9117208	Y	1	
2	4011010706	Bolt gb5783-m10*40flznyc-8.8-480	Y	2	
3	4015010278	Washer gb96.1-10flznyc-480	Y	8	
4	4011010976	Bolt gb5783-m10*50flznyc-8.8-480	Y	2	
5	4015010339	Washer gb97.1-10flznyc-300hv-480	Y	2	
6	4013010296	Nut gb889.1-m10flznyc-8	Y	2	
7	25010034951	Engine water inlet hose 34*5*225	Y	1	
8	4017000009	Clamp	Y	4	
9	25010030381	Water hose	Y	1	
10	25010034991	Radiator bracket widmt	Y	1	
11	25010006143	Fixing plate	Y	1	
12	25010006131	Protection rubber plate	Y	1	
13	4011010722	Bolt gb5783-m10*25flznyc-8.8-480	Y	4	

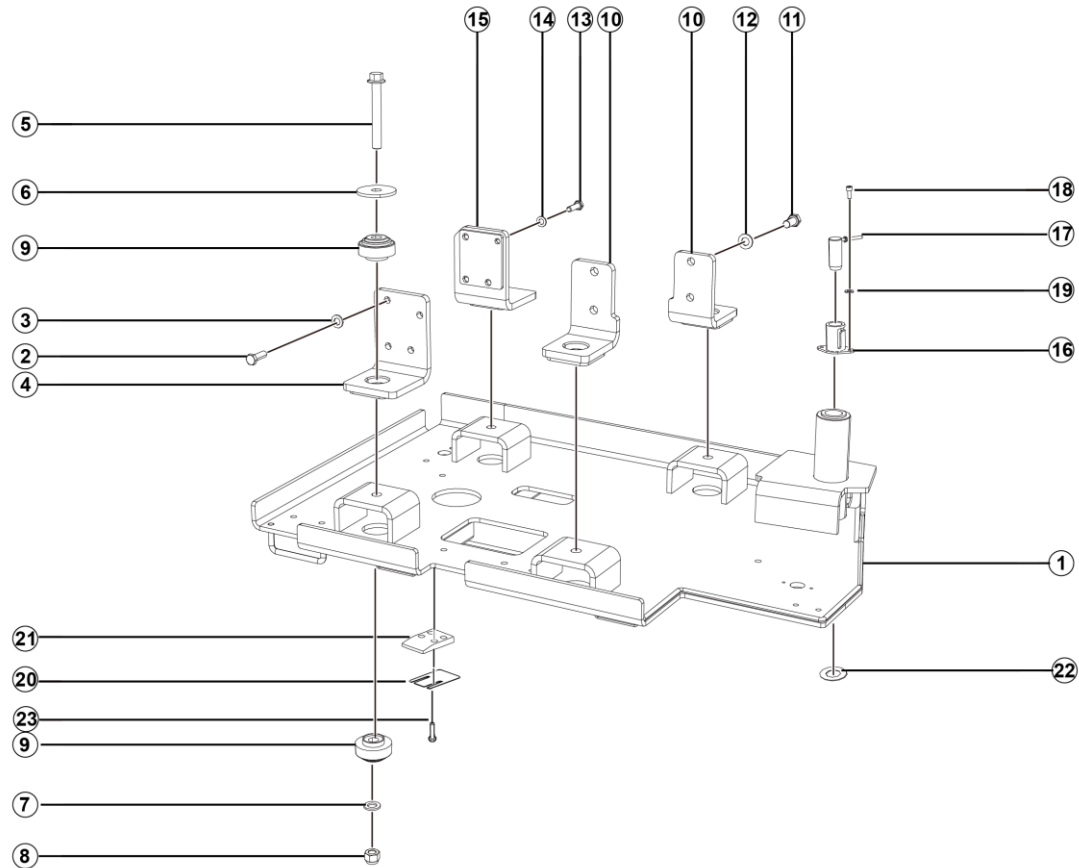
Radiator assy m9117208(10183)



A0100-4110706982

Key	Part No.	Description	Spare parts Y/N	Qty	Remarks
1	4110706982001	Oil cooler and water radiator s9117028	Y	1	
2	4110706982002	Rubber strip 6290012000	Y	1	
3	4110706982003	Sealing plate kb9117028	Y	1	
4	4110706982004	Sealing plate 332413	Y	2	
5	4110706982005	Lifting plate 393101	Y	2	
6	4110706982006	Fan shroud db9117028	Y	1	
7	4110706982007	Shield i hb9117028a	Y	1	
8	4110706982008	Shield ii hb9117028b	Y	1	

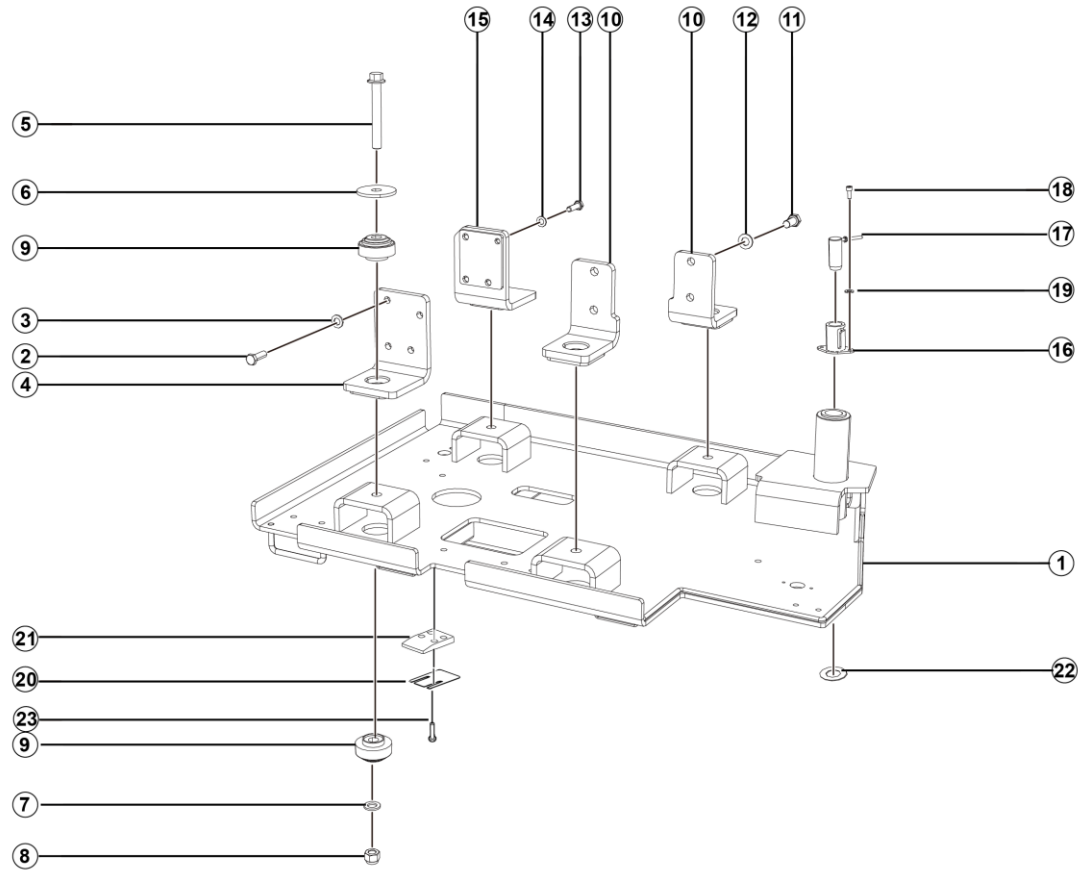
Engine mounting sys



A0100-2501003454.S1A

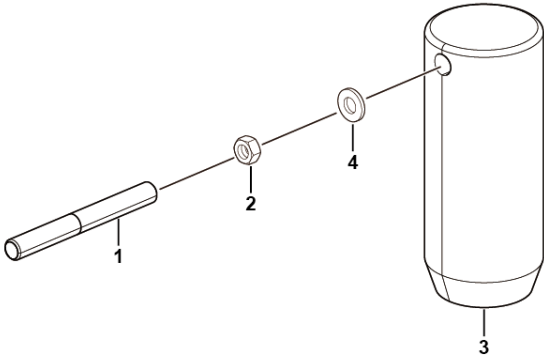
Key	Part No.	Description	Spare parts Y/N	Qty	Remarks
1	25010034571	Engine tray assy	Y	1	
2	4011011473	Bolt gb5786-m12*1.25*35flznyc-8.8-480	Y	6	
3	4015010340	Washer gb97.1-12flznyc-300hv-480	Y	7	
4	25010015893	Engine fr (lh) outrigger	Y	1	
5	4011011179	Bolt gb16674-m16*115flznyc-10.9-480	Y	4	
6	25010009282	Vibration isolator mounting gasket, φ70*5	Y	4	
7	4015010287	Washer gb97.1-16flznyc-480	Y	4	
8	4013010302	Bolt gb889.1-m16flznyc-8-480	Y	4	
9	4110703142	Absorber	Y	8	
10	25010015933	Engine rr outrigger	Y	2	
11	4011011426	Bolt gb5786-m14*1.5*30flznyc-8.8-480	Y	4	
12	4015010341	Washer gb97.1-14flznyc-300hv-480	Y	4	
13	4011011430	Bolt gb5786-m10*1.25*35flznyc-8.8-480	Y	1	
14	4015010339	Washer gb97.1-10flznyc-300hv-480	Y	1	
15	25010015873	Engine fr (rh) outrigger	Y	1	
16	25010016662	Tray restraining sleeve	Y	1	
17	25010016651	Engine tray fixing rod, for tray limiting	Y	1	
18	4014010131	Screw gb70.1-m5*16flznyc-8.8-480	Y	2	
19	4015010283	Washer gb97.1-5flznyc-480	Y	2	
20	25010010562	Gasket, 150*100*2	Y	4	
21	25010010551	Cushion block, for supporting engine tray	Y	1	
22	25010029561	Wear washer	Y	1	

Engine mounting sys



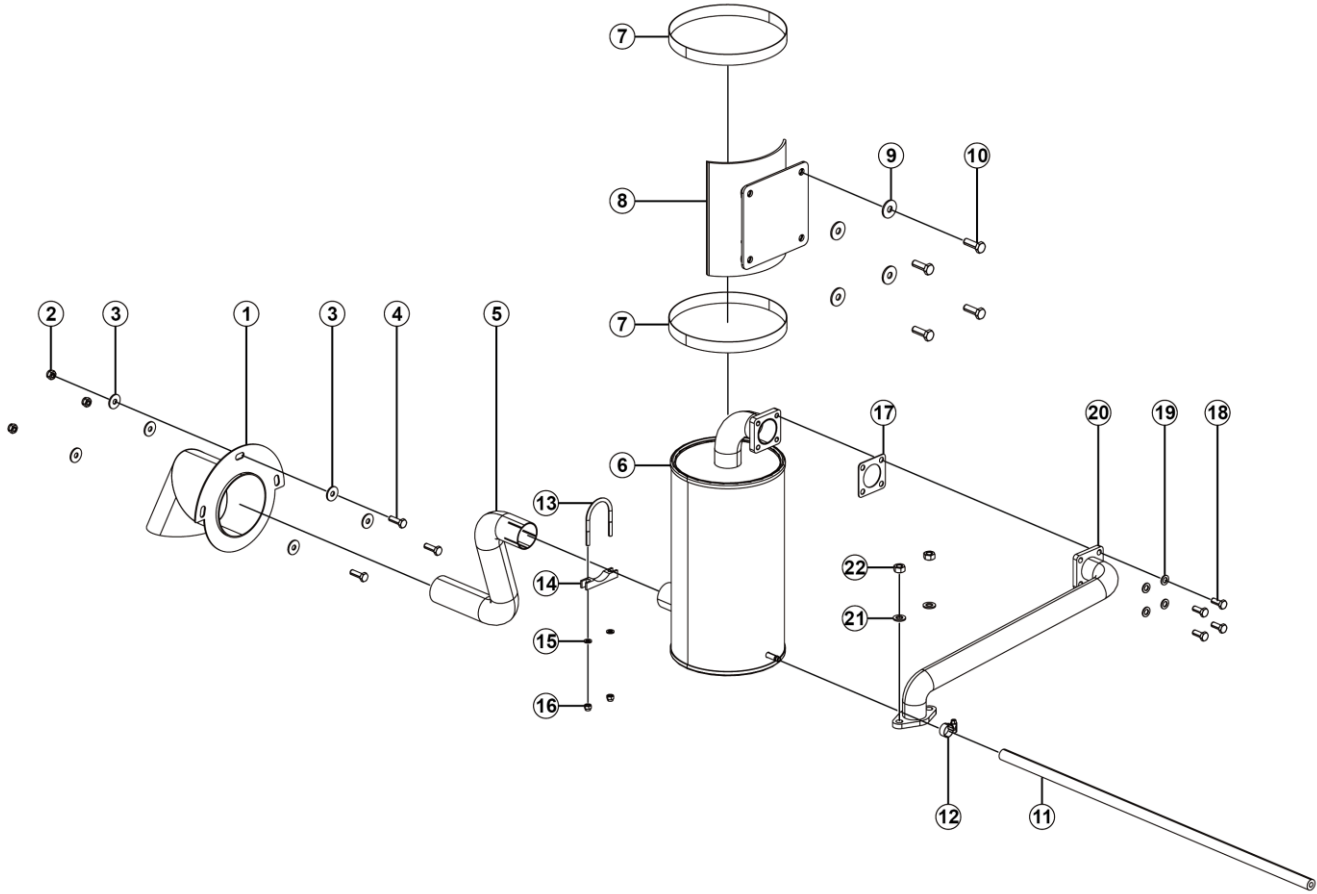
A0100-2501003454.S1A

Engine tray fixing rod, for tray limiting



A0100-2501001665. S1A

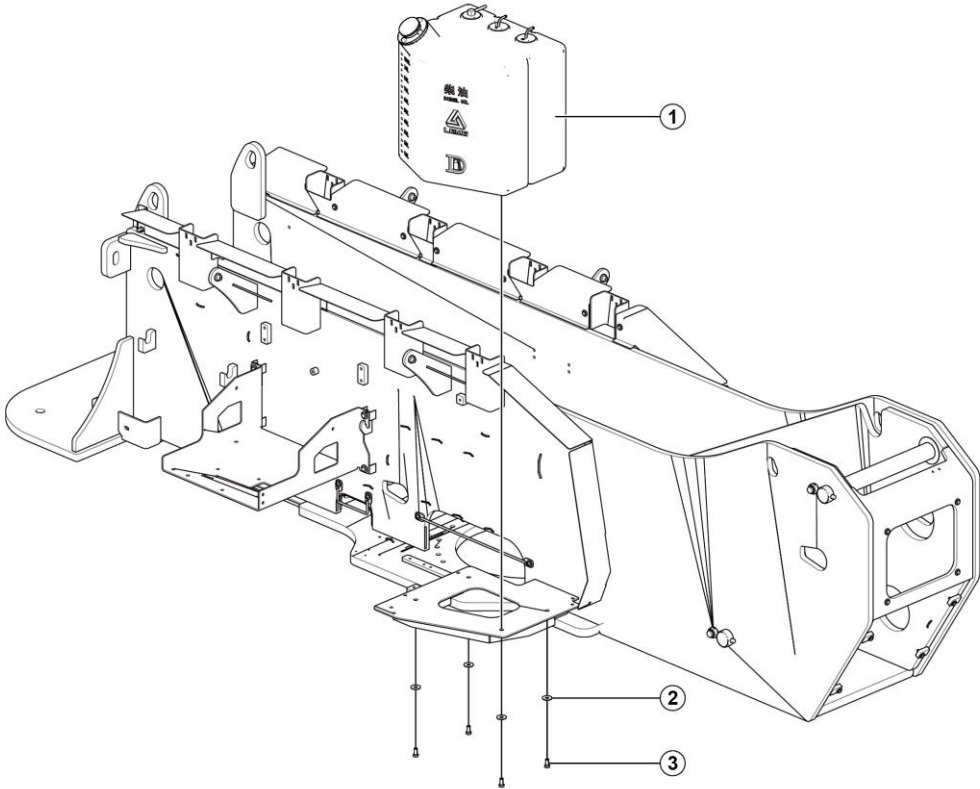
Engine exhaust system



A0100-2501003455.S1B

Key	Part No.	Description	Spare parts Y/N	Qty	Remarks
1	25010014991	Weldment, upper tail pipe, engine	Y	1	
2	4013010314	Nut gb6185-m8flznyc-8	Y	3	
3	4015010289	Washer gb96.1-8flznyc-480	Y	6	
4	4011010743	Bolt gb5783-m8*25flznyc-8.8-480	Y	3	
5	25010034821	Exhaust tailpipe 42*1.5*426	Y	1	
6	4110705158	Silencer	Y	1	
7	4190708675	T-hoop	Y	2	
8	25010035821	Muffler bracket wldmt	Y	1	
9	4015010278	Washer gb96.1-10flznyc-480	Y	4	
10	4011010707	Bolt gb5783-m10*30flznyc-8.8-480	Y	4	
11	25560000861	Hose	Y	1	
12	4017000010	Hose clamp jb8870-d20	Y	1	
13	25010020571	U bolt	Y	1	
14	25010020561	Seat	Y	1	
15	4015010284	Washer gb97.1-6flznyc-480	Y	2	
16	4013010300	Nut gb889.1-m6flznyc-8-480	Y	2	
17	25010005911	Gasket	Y	1	
18	4011010711	Bolt gb5783-m8*20flznyc-8.8-480	Y	4	
19	4015010280	Washer gb97.1-8flznyc-480	Y	4	
20	25010034841	Exhaust pipe wldmt	Y	1	
21	4015010339	Washer gb97.1-10flznyc-300hv-480	Y	2	
22	4013010412	Nut gb6171-m10*1.25flznyc-8-480	Y	2	

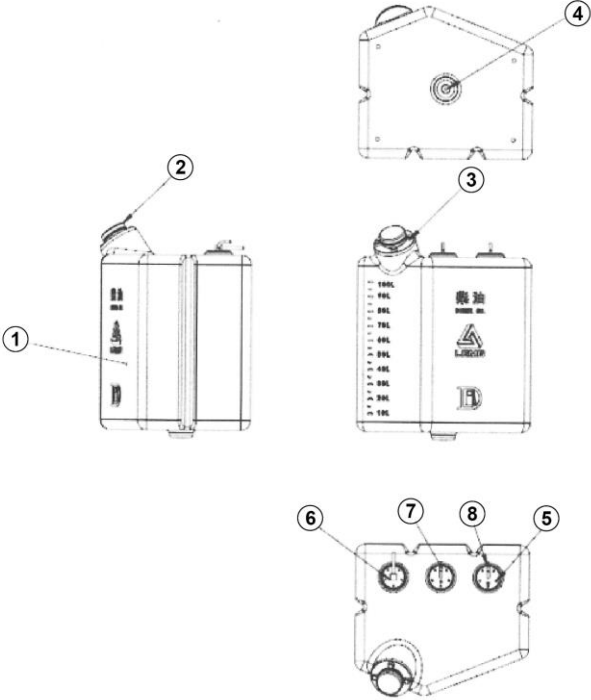
Fuel tank assy



A0200-2502000346.S1B



Fuel tank assy lg02-ryx-030 (10440)

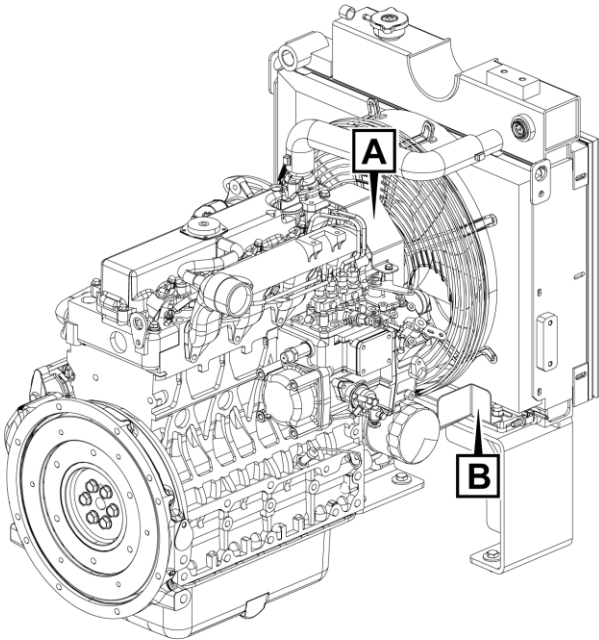
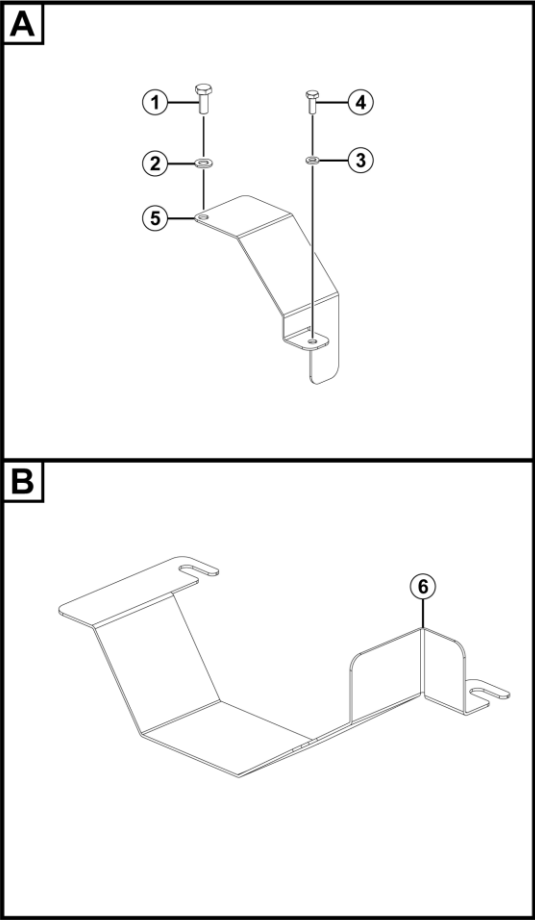


A0200-4110706986

Key	Part No.	Description	Spare parts Y/N	Qty	Remarks
1	4110706986001	Fuel tank 4110706986	Y	1	
2	4190704390008	Anti-burglar fuel tank cover assy 29080002	Y	1	
3	4110706056006	Bolt 27008005 (m8*20)	Y	4	
4	4110706056005	Stainless steel plug g1/2 25021001	Y	1	
5	4110706056007	Bolt 27005001 (m5*16)	Y	15	
6	4110706986002	Fuel level sensor 24120002	Y	1	
7	4110706986003	Fuel suction pipe 22120001	Y	1	
8	4110706986004	Fuel return pipe 22120002	Y	1	



Rotating component protection assy



A0100-2501003671.S1A

Key	Part No.	Description	Spare parts Y/N	Qty	Remarks
1	4011011721	Bolt gb5786-m8*1.25*20flznyc-8.8-480	Y	1	
2	4015010280	Washer gb97.1-8flznyc-480	Y	1	
3	4015010284	Washer gb97.1-6flznyc-480	Y	1	
4	4011010747	Bolt gb5783-m6*16flznyc-8.8-480	Y	1	
5	25010036721	Upper protective plate	Y	1	
6	25010036731	Lower protective plate	Y	1	

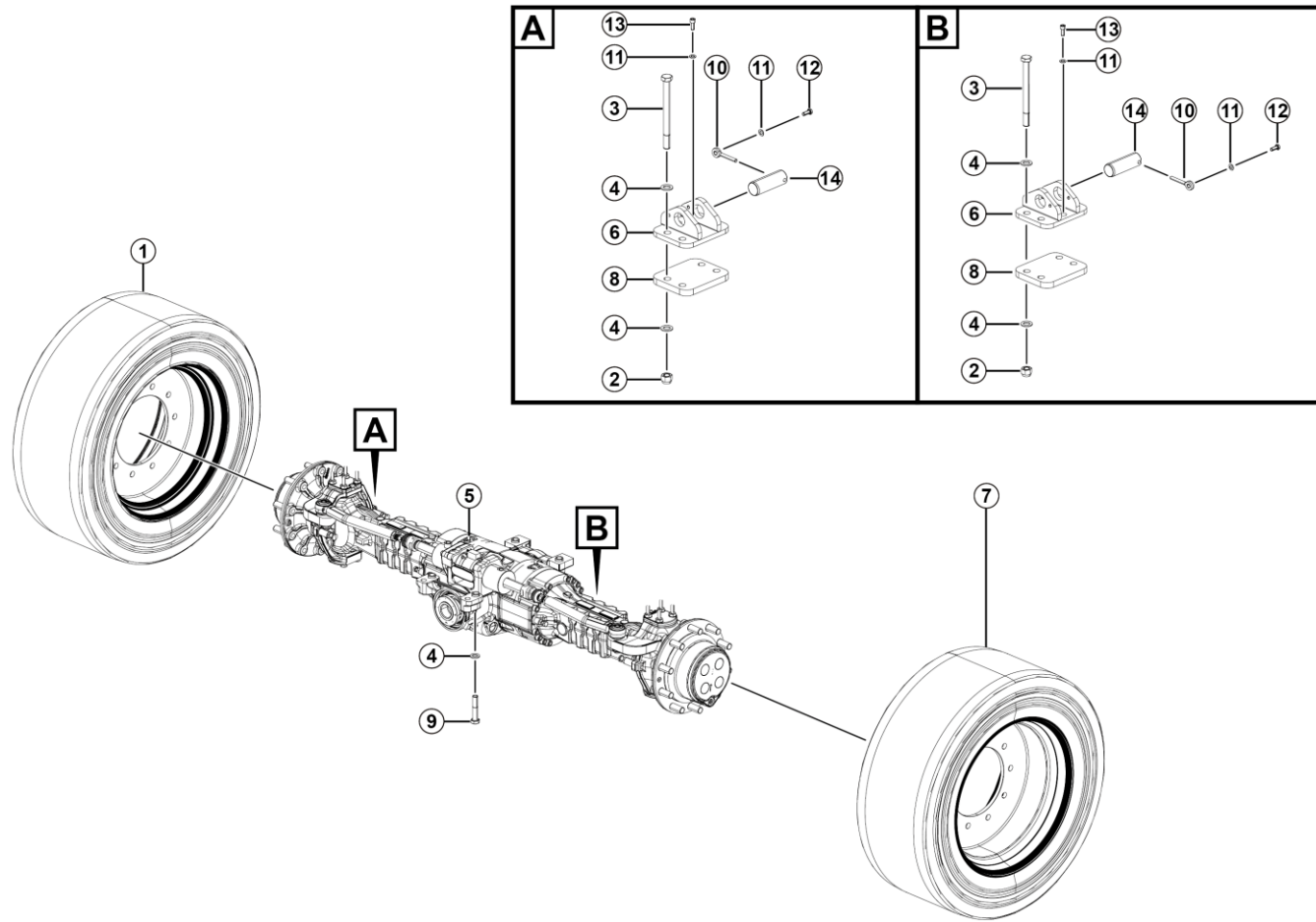


B
AXLE SYSTEM



LINGONG HEAVY MACHINERY CO., LTD.

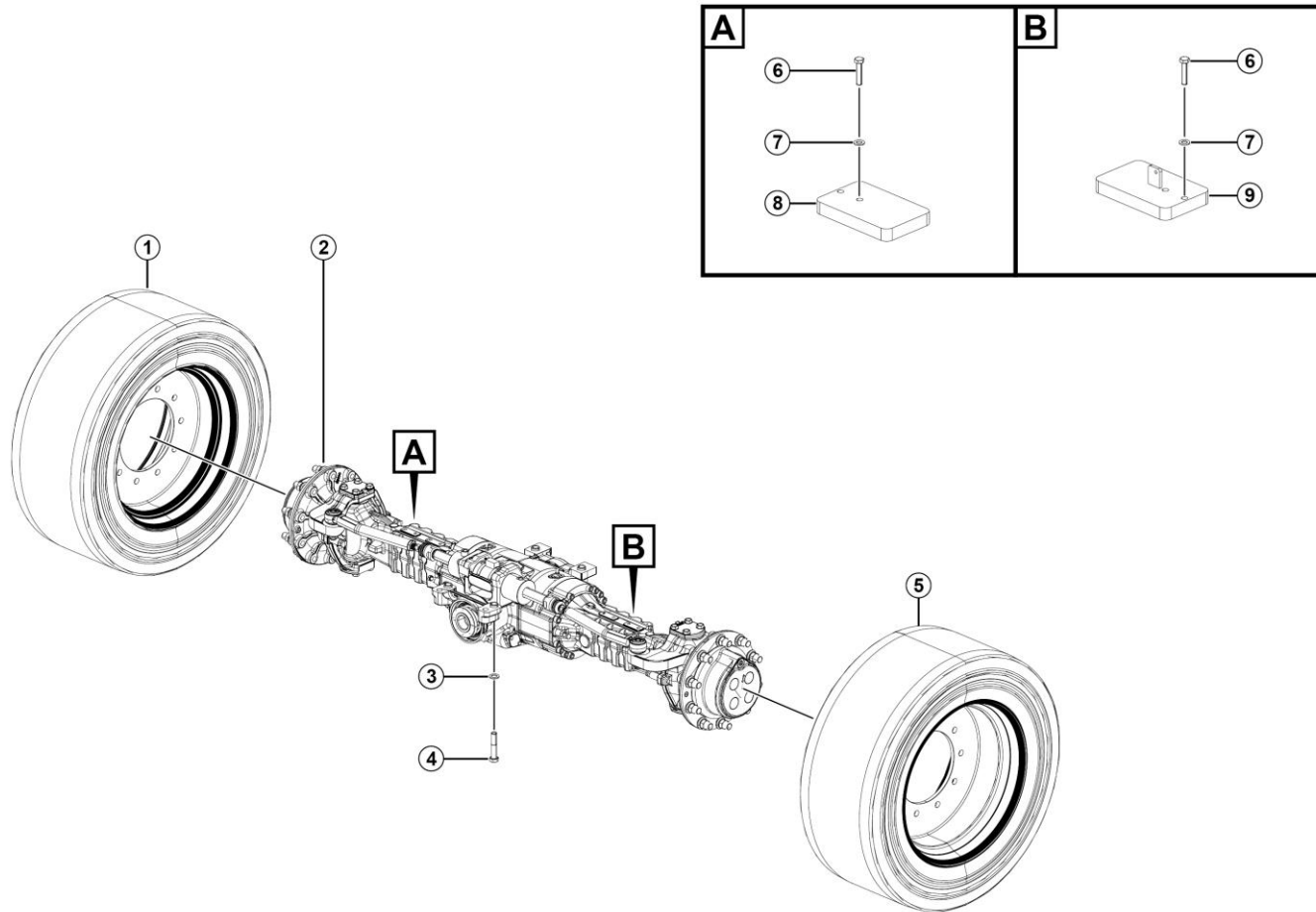
Fr axle assy



B0400-2504000841.S1A

Key	Part No.	Description	Spare parts Y/N	Qty	Remarks
1	4110706297	Non-marking tyre 15-625 (lh,gray)	Y	1	
2	4013010401	Nut gb889.1-m20flznyc-10-480	Y	8	
3	4011011495	Bolt gb5782-m20*230flznyc-10.9-480	Y	8	
4	4015010338	Washer gb97.1-20flznyc-300hv-480	Y	20	
5	4110705294	Front drive axle	Y	1	
6	25040007241	Assembly	Y	2	
7	4110706298	Non-marking tyre 15-625 (rh,gray)	Y	1	
8	25040006902	Leakage protector mounting plate	Y	2	
9	4011010763	Bolt gb5782-m20*100flznyc-12.9-480	Y	4	
10	25200000641	Pin, 10*70	Y	2	
11	4015010339	Washer gb97.1-10flznyc-300hv-480	Y	6	
12	4011010722	Bolt gb5783-m10*25flznyc-8.8-480	Y	2	
13	4014010453	Gb70.1-m10*25flznyc-8.8-480	Y	4	
14	25040006911	Shaft	Y	2	

Rear axle assy



B0500-2505000477.S1A

Key	Part No.	Description	Spare parts Y/N	Qty	Remarks
1	4110706298	Non-marking tyre 15-625 (rh,gray)	Y	1	
2	4110705293	Rear drive axle	Y	1	
3	4015010338	Washer gb97.1-20flznyc-300hv-480	Y	4	
4	4011010763	Bolt gb5782-m20*100flznyc-12.9-480	Y	4	
5	4110706297	Non-marking tyre 15-625 (lh,gray)	Y	1	
6	4011011046	Bolt gb5783-m10*45flznyc-8.8-480	Y	4	
7	4015010339	Washer gb97.1-10flznyc-300hv-480	Y	4	
8	25050004082	Plate	N	1	
9	25050004291	Limit plate welding	Y	1	

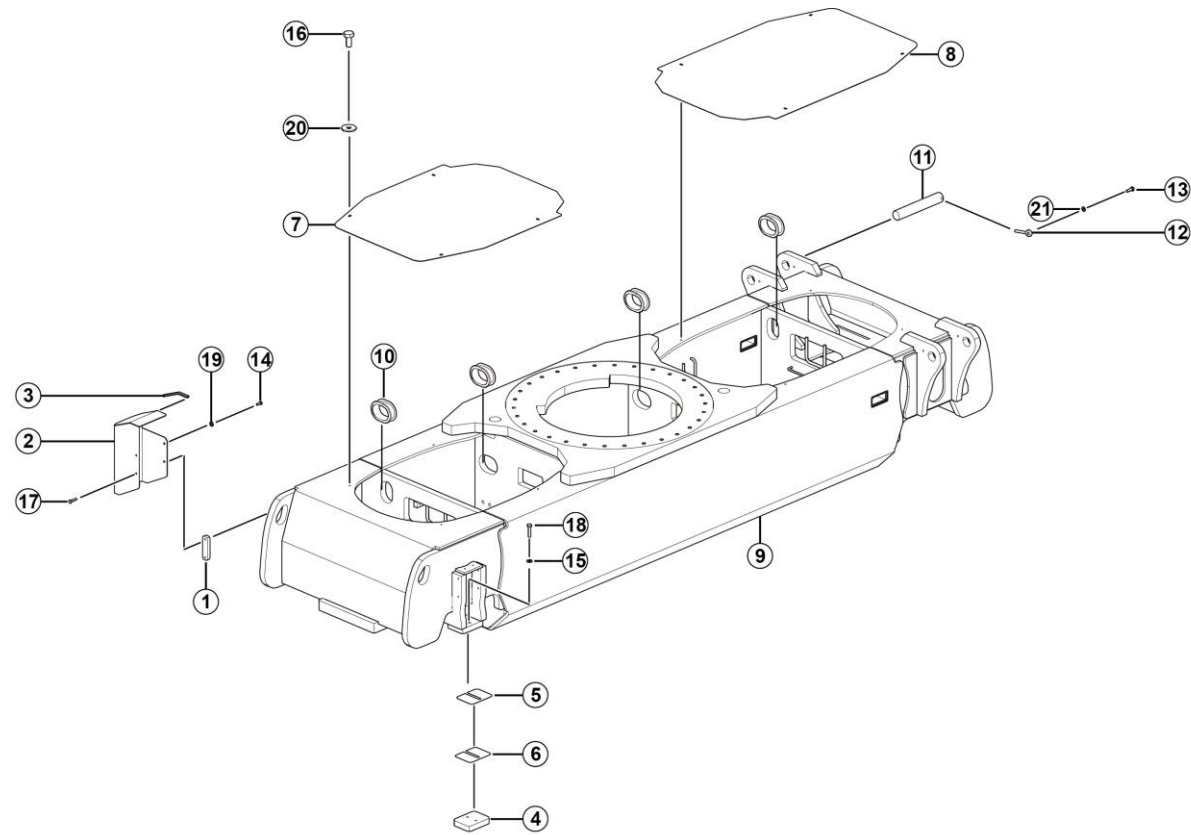


D
CHASSIS SYSTEM



LINGONG HEAVY MACHINERY CO., LTD.

Chassis assy



D1600-2516004816.S1A

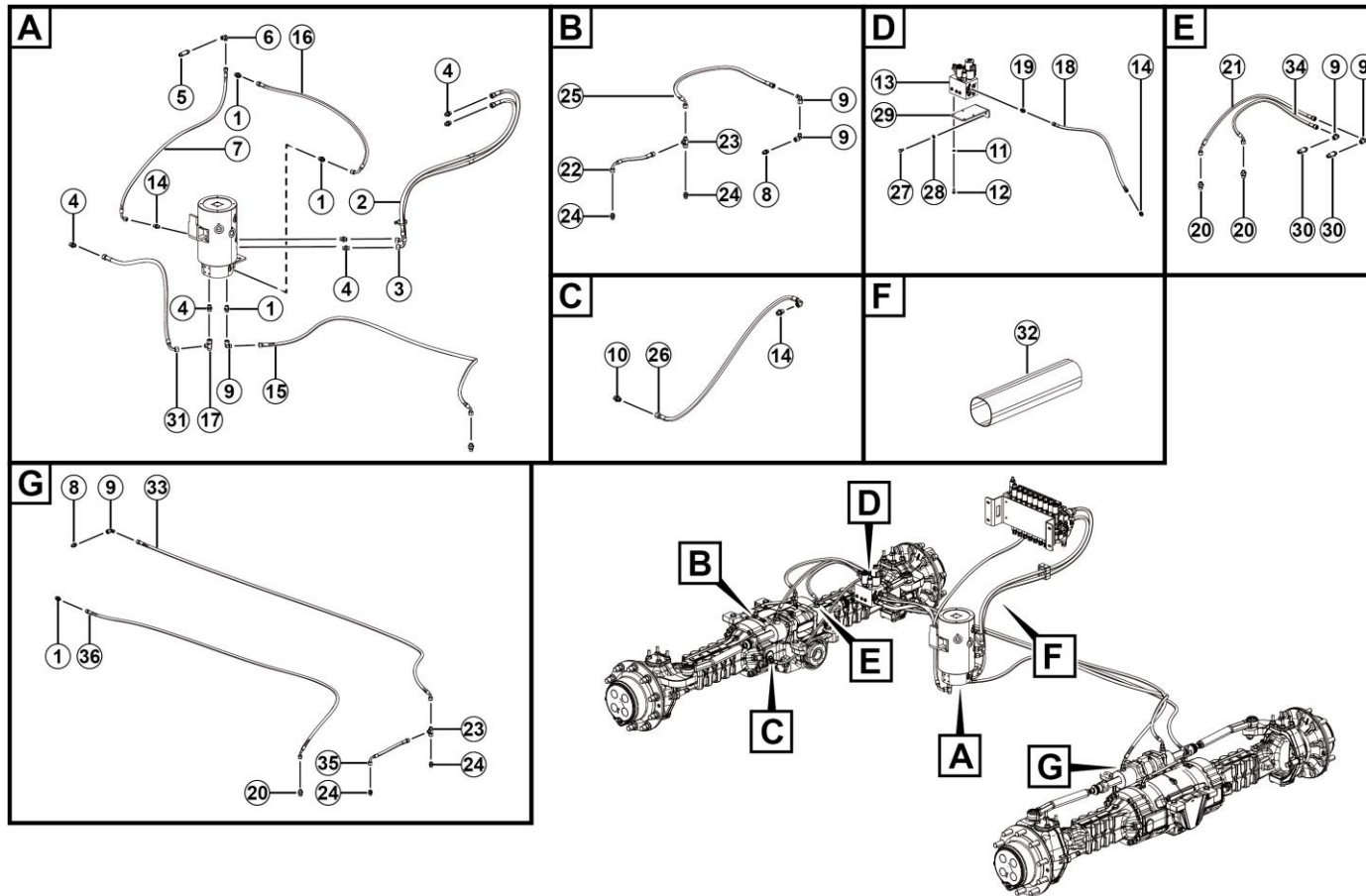
Key	Part No.	Description	Spare parts Y/N	Qty	Remarks
1	25110001592	Block	Y	1	
2	25110001632	Floating valve hood	Y	1	
3	4190707275	Block gine	Y	1	
4	25160035544	Plate	Y	2	
5	25160035552	Plate	Y	2	
6	25160035762	Plate	Y	2	
7	25160035773	Chassis cover plate i	Y	1	
8	25160035783	Chassis cover plate ii	Y	1	
9	25160048171	Chassis wdmt	Y	1	
10	25160035841	Rubber sleeve	Y	9	
11	25160035941	Shaft	Y	2	
12	25200000641	Pin, 10*70	Y	2	
13	4011010707	Bolt gb5783-m10*30flznyc-8.8-480	Y	2	
14	4011010711	Bolt gb5783-m8*20flznyc-8.8-480	Y	2	
15	4015010340	Washer gb97.1-12flznyc-300hv-480	Y	4	
16	4011010970	Bolt gb5783-m8*16flznyc-8.8-480	Y	8	
17	4011010973	Bolt gb5783-m8*50flznyc-8.8-480	Y	2	
18	4011010980	Bolt gb5783-m12*45flznyc-8.8-480	Y	4	
19	4015010280	Washer gb97.1-8flznyc-480	Y	4	
20	4015010289	Washer gb96.1-8flznyc-480	Y	8	
21	4015010339	Washer gb97.1-10flznyc-300hv-480	Y	2	

E
BRAKE SYSTEM



LINGONG HEAVY MACHINERY CO., LTD.

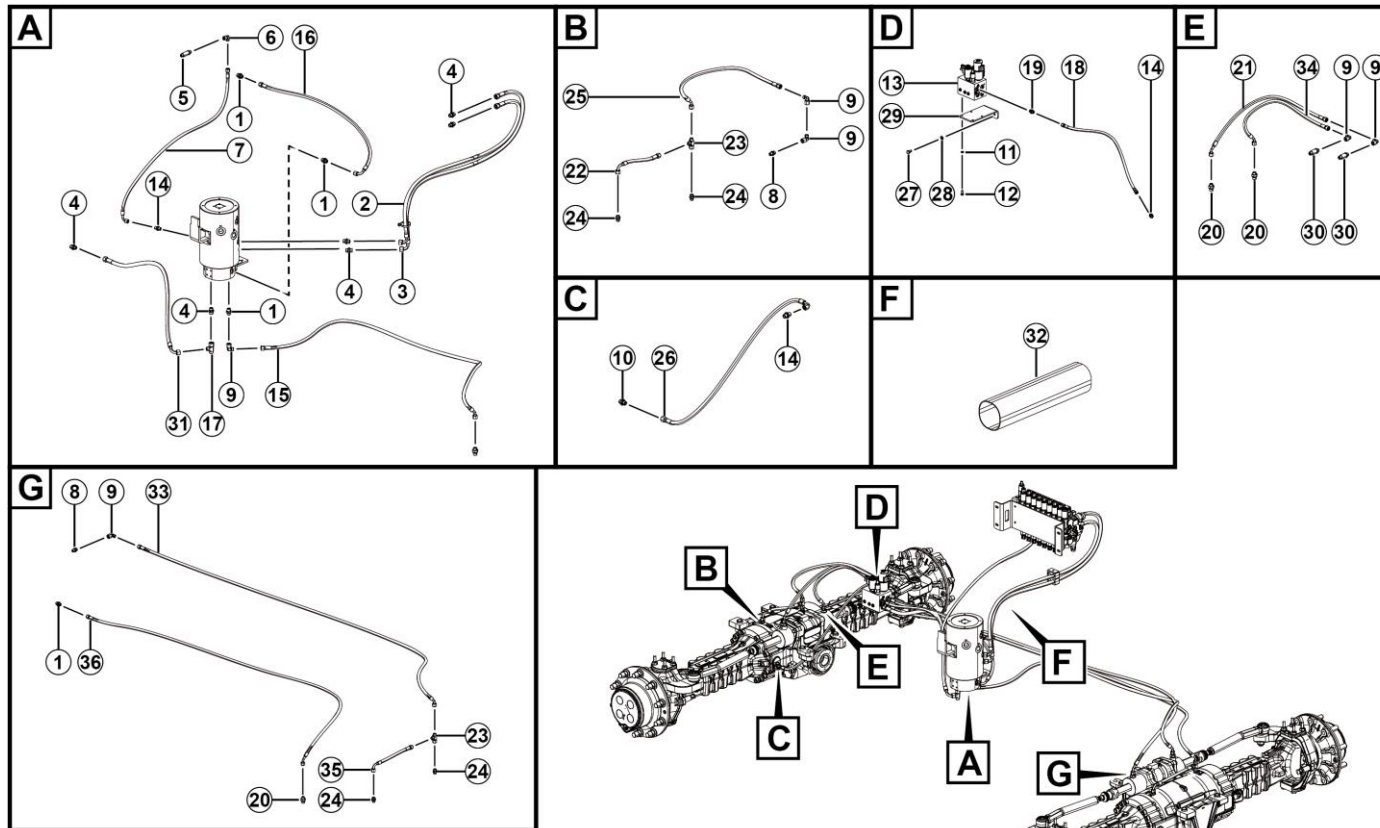
Brake assy



E0600-2506000285.S1B

Key	Part No.	Description	Spare parts Y/N	Qty	Remarks
1	4120001165	Fitting ge10lr3/8edomdcf	Y	4	
2	4120705658	Hose f481cacf121206-1300	Y	1	
3	4120708833	Pipe	Y	1	
4	4120001224	Fitting ge12lredomdcf	Y	6	
5	4120713244	Joint ge08lredomdcf-h70	Y	1	
6	4190000698	Fitting ew08lomda3c	Y	1	
7	4120707146	Hose	Y	1	
8	4120001188	Fitting ge10lredomdcf	Y	2	
9	4120001166	Fitting ew10lomdcf	Y	6	
10	4120704961	Fitting, hydraulic ge08l9/16unfomdcf	Y	1	
11	4015010280	Washer gb97.1-8flznyc-480	Y	4	
12	4011010711	Bolt gb5783-m8*20flznyc-8.8-480	Y	4	
13	4120709376	Differential braking steering control valve	Y	1	
14	4120001170	Fitting ge08lredomdcf	Y	3	
15	4120709121	Hose assembly	Y	1	
16	4120708836	Pipe	Y	1	
17	4120000619	Tee fitting el12lomda3c	Y	1	
18	4120705646	Hose f481caca080804-750	Y	1	
19	4120001391	Joint	Y	1	
20	4120708990	Joint	Y	4	
21	4120708974	Hose fc402cace101005-900	Y	1	
22	4120709263	Pipe	Y	1	

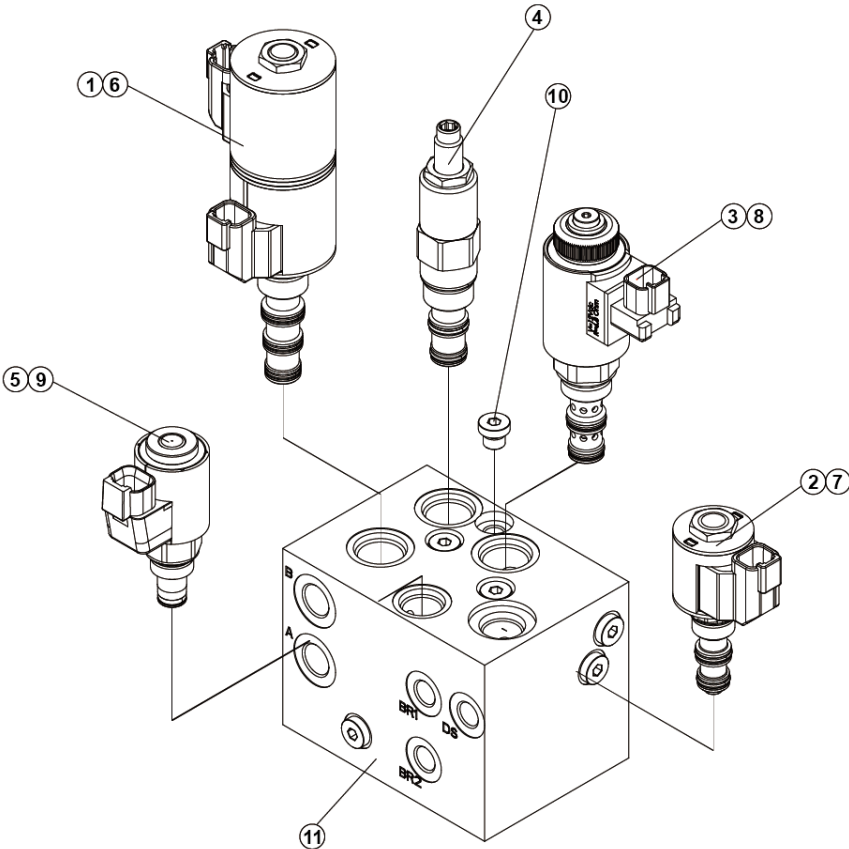
Brake assy



E0600-2506000285.S1B

Key	Part No.	Description	Spare parts Y/N	Qty	Remarks
23	4120001168	Three-way jiont	Y	2	
24	4120709264	Joint	Y	4	
25	4120709600	Tube	Y	1	
26	4120705075	Hose assembly	Y	1	
27	4011010748	Bolt gb5783-m10*20flznyc-8.8-480	Y	2	
28	4015010339	Washer gb97.1-10flznyc-300hv-480	Y	2	
29	25060002201	Valve mounting plate welding	Y	1	
30	4120709279	Jiont	Y	2	
31	4120708596	Hose assembly	Y	1	
32	25070008561	Canvas	Y	1	
33	4120711265	Hose f481cace101005-2600	Y	1	
34	4120709600	Tube	Y	1	
35	4120709263	Pipe	Y	1	
36	4120711265	Hose f481cace101005-2600	Y	1	

Steering ctrl valve st5699-ab0b (10311)



E0600-4120709376

Key	Part No.	Description	Spare parts Y/N	Qty	Remarks
1	4120704189003	Valve	Y	1	
2	4120709376002	Solenoid valve sv08-30-0-n-00	Y	1	
3	4120001545008	Valve	Y	1	
4	4120709376003	Pressure reducing valve 712s009-35	Y	1	
5	4120708299003	Solenoid	Y	1	
6	4120001573010	Coil 4303712	Y	2	
7	4120001571010	Coil 4303612	Y	1	
8	4120001545006	Valve	Y	1	
9	4120001572008	Coil str0a-c12-01	Y	1	
10	4129900116002	Plug 4bn-02wd	Y	13	
11	4120709376001	Valve block st5699-a00bm	Y	1	



Steering control valve st5699-ab0b (11156)

No Picture

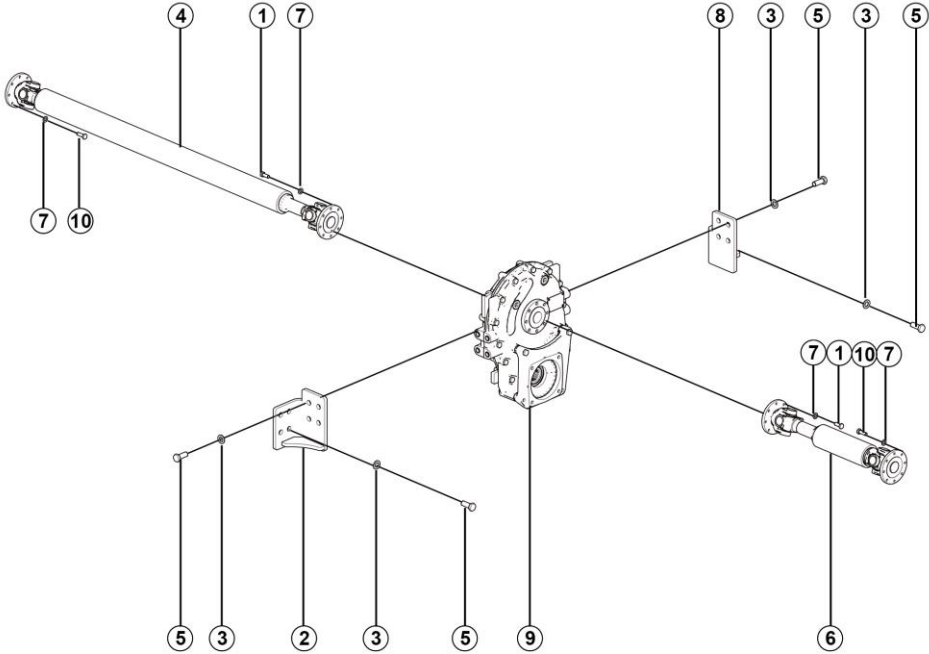
Key	Part No.	Description	Spare parts Y/N	Qty	Remarks
1	4120709376004	Valve block rtvb0196010	Y	1	
2	4120709376005	Solenoid valve rtsv10-47a-0-n-0	Y	1	
3	4120709376006	Solenoid valve rtsv08-30-0-n-00	Y	1	
4	4120712477002	Solenoid valve rtsv10-34-0-n-00	N	1	
5	4120712477003	Pressure reducing valve rtpr10-32a-0-n-8	N	1	
6	4120709376007	Solenoid valve rtsv08-20-0-n-0	Y	1	
7	4120711531	Coil rts0812ar	Y	2	
8	4120712450013	Coil rts1012ar	Y	3	
9	4129900116002	Plug 4bn-02wd	Y	12	
10	4120704012007	Snap ring rtcav00205	Y	1	
11	4120709376008	Plug 01136008 (g1/4)	Y	3	
12	4120704012006	Plug 01136009 ((g3/8))	Y	6	

F
STEERING SYSTEM



LINGONG HEAVY MACHINERY CO., LTD.

Drive shaft assy



F8200-2582000050.S1A

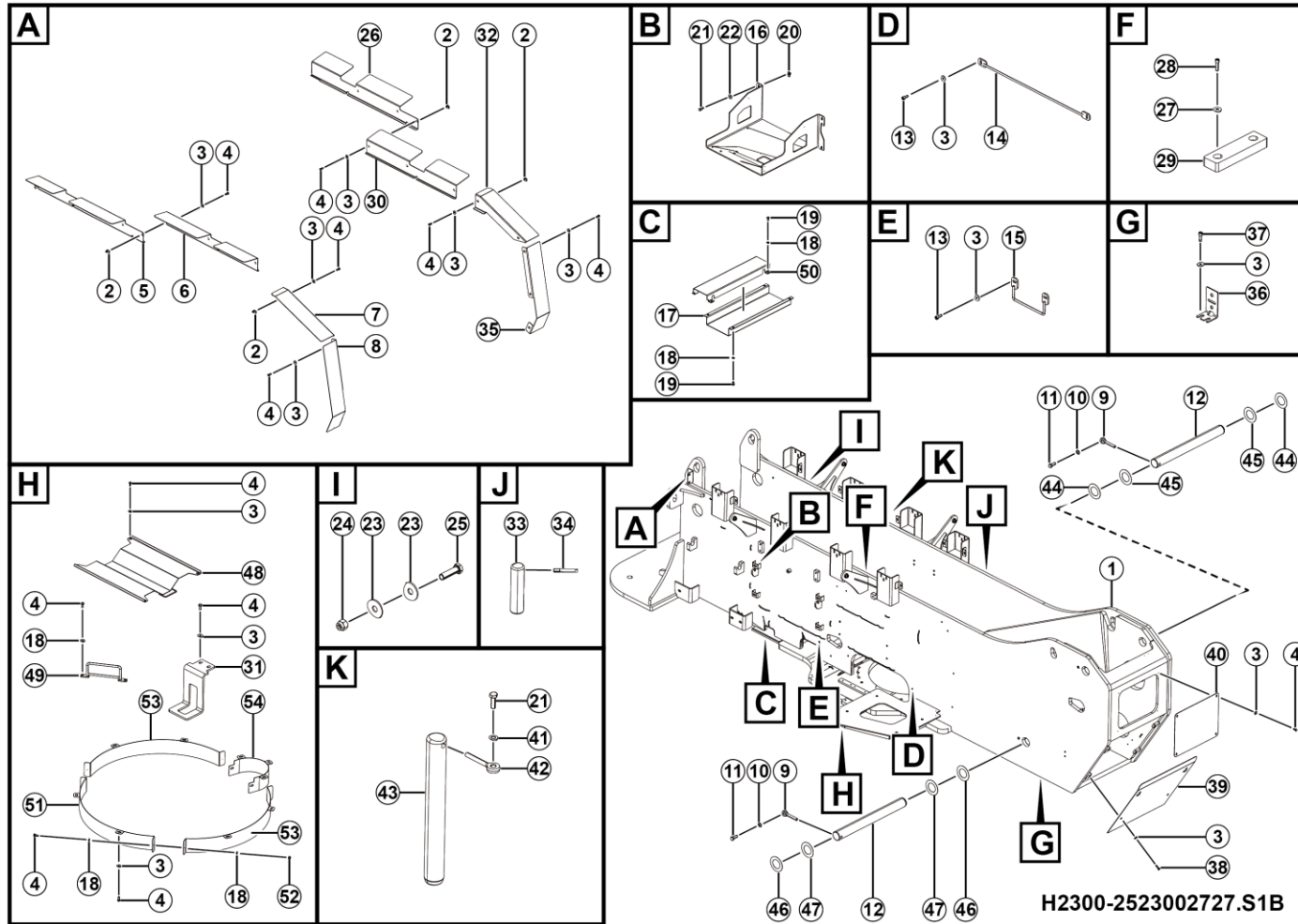
Key	Part No.	Description	Spare parts Y/N	Qty	Remarks
1	4011010845	Bolt gb5783-m10*25flznyc-10.9-480	Y	16	
2	25820000082	Welding	Y	1	
3	4015010287	Washer gb97.1-16flznyc-480	Y	16	
4	4110705314	Rear driveshaft	Y	1	
5	4011011621	Bolt gb5783-m16*40flznyc-10.9-480	Y	16	
6	4110705313	Front driveshaft	Y	1	
7	4015010339	Washer gb97.1-10flznyc-300hv-480	Y	32	
8	25820000072	Welding	Y	1	
9	4110706991	Transfer case ca604745s	Y	1	
10	4011010879	Bolt gb5783-m10*30flznyc-10.9-480	Y	16	

H SWING SYSTEM



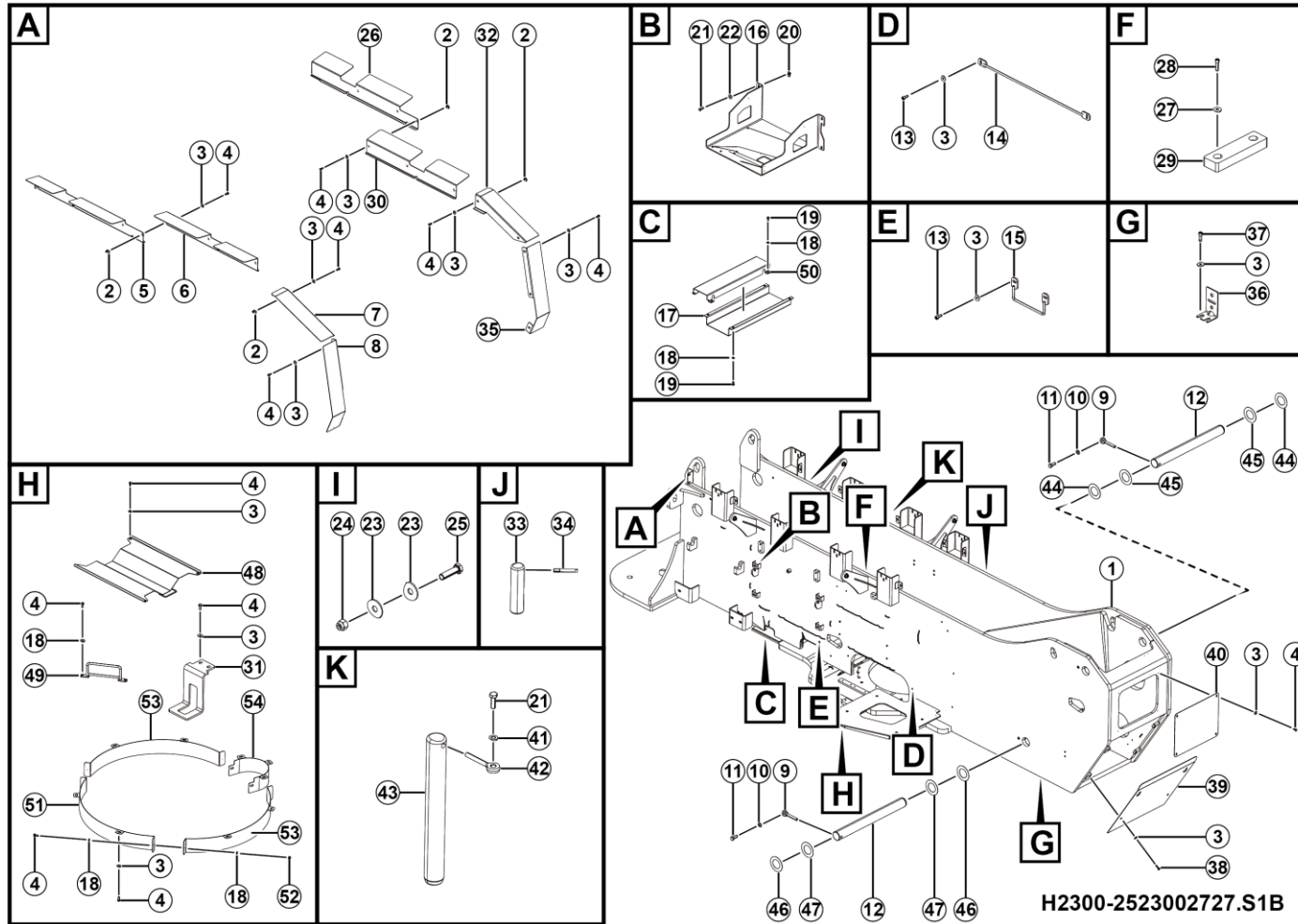
LINGONG HEAVY MACHINERY CO., LTD.

Turntable assy



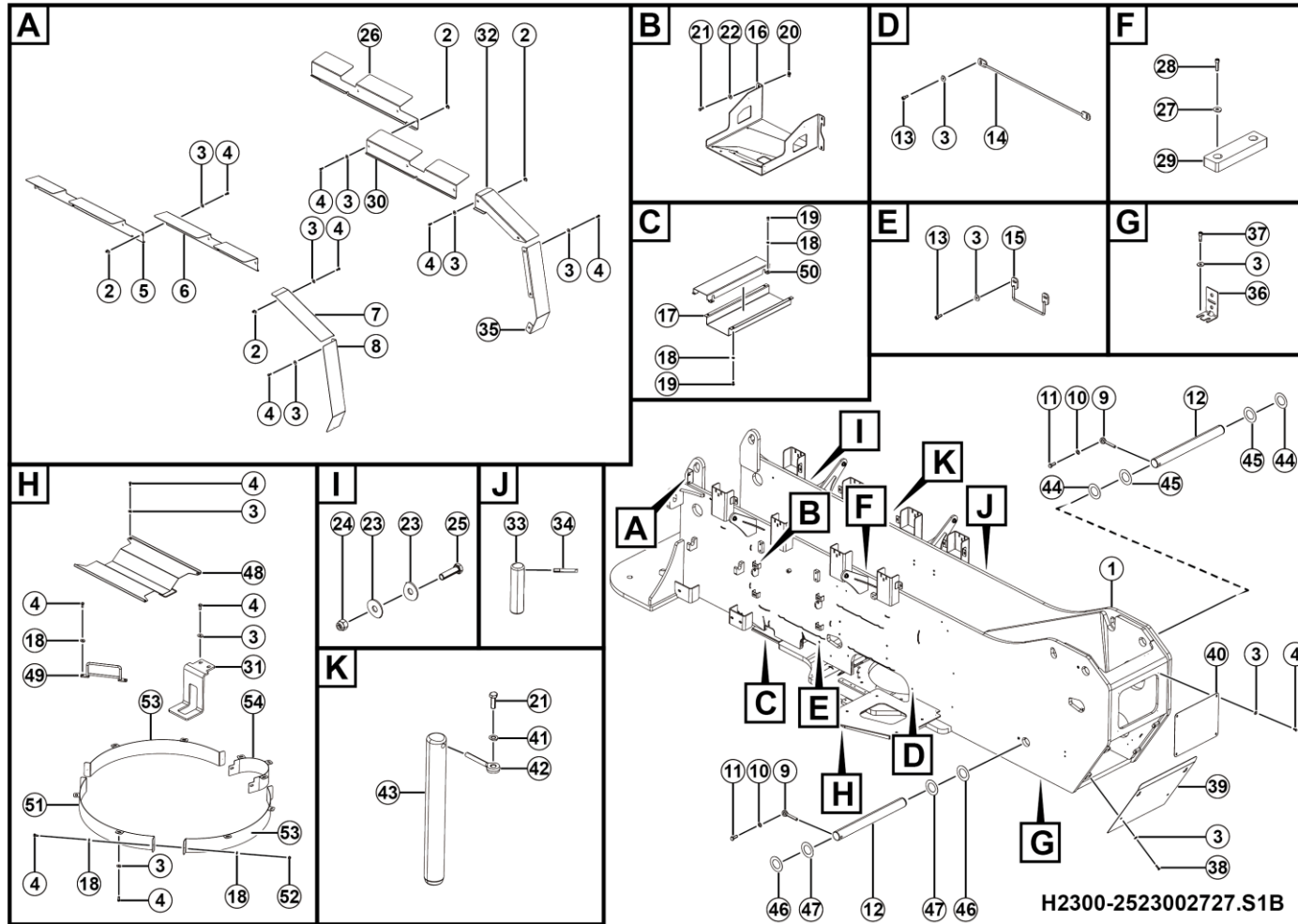
Key	Part No.	Description	Spare parts Y/N	Qty	Remarks
1	25230027281	Turntable wldmt	Y	1	
2	4013010383	Reed nut qc339-m8flznyc-8-480	Y	16	
3	4015010289	Washer gb96.1-8flznyc-480	Y	55	
4	4011010711	Bolt gb5783-m8*20flznyc-8.8-480	Y	49	
5	25230030981	Lh fr guard	Y	1	
6	25230030971	Lh mid guard	Y	1	
7	25230024131	Lh rr guard ii	Y	1	
8	25230029211	Lh rr guard i	Y	1	
9	25220052191	Bolt	Y	2	
10	4015010287	Washer gb97.1-16flznyc-480	Y	2	
11	4011011117	Bolt gb5783-m16*40flznyc-8.8	Y	2	
12	25230024321	Pin 65*655	N	2	
13	4014010246	Screw gb70.1-m8*20flznyc-8.8-480	Y	4	
14	25230029191	Round steel wldmt	Y	1	
15	25230028981	Round steel wldmt	Y	1	
16	25230029171	Battery tray wldmt	Y	1	
17	25230028961	Shield ii	Y	1	
18	4015010280	Washer gb97.1-8flznyc-480	Y	16	
19	4011010970	Bolt gb5783-m8*16flznyc-8.8-480	Y	8	
20	4013010370	Reed nut qc339-m10flznyc-8-480	Y	4	
21	4011010707	Bolt gb5783-m10*30flznyc-8.8-480	Y	5	
22	4015010278	Washer gb96.1-10flznyc-480	Y	4	

Turntable assy



Key	Part No.	Description	Spare parts Y/N	Qty	Remarks
23	4015010371	Washer gb96.1-14flznyc-300hv-480	Y	2	
24	4013010363	Nut gb889.1-m14flznyc-8-480	Y	1	
25	4011011107	Bolt gb5783-m14*50flznyc-8.8-480	Y	1	
26	25230031001	Rh fr guard	Y	1	
27	4015010286	Washer gb96.1-12flznyc-480	Y	2	
28	4014000081	Screw gb70.1-m12*45epzn-8.8	Y	2	
29	25230025611	Boom rest pad	Y	1	
30	25230030991	Rh mid guard	Y	1	
31	25230029031	Rotary coupling limit plate	Y	1	
32	25230024151	Rh rr guard ii	Y	1	
33	25230002041	Limit lever, ? 45*180	Y	1	
34	25230000952	Screw, ϕ 12*80	Y	1	
35	25230024141	Rh rr guard i	Y	1	
36	25230030391	Connector mounting plate	Y	1	
37	4011010908	Screw gb70.1-m8*25flznyc-8.8-480	Y	2	
38	4011010708	Bolt gb5783-m8*30flznyc-8.8-480	Y	4	
39	25230024351	Fr lwr cover plate	Y	1	
40	25230024341	Fr upr cover plate 425*340*2.5	Y	1	
41	4015010339	Washer gb97.1-10flznyc-300hv-480	Y	1	
42	25200000641	Pin, 10*70	Y	1	
43	25230023361	Pin	Y	1	
44	25230026411	Adjusting washer 110*66*0.5	Y	2	

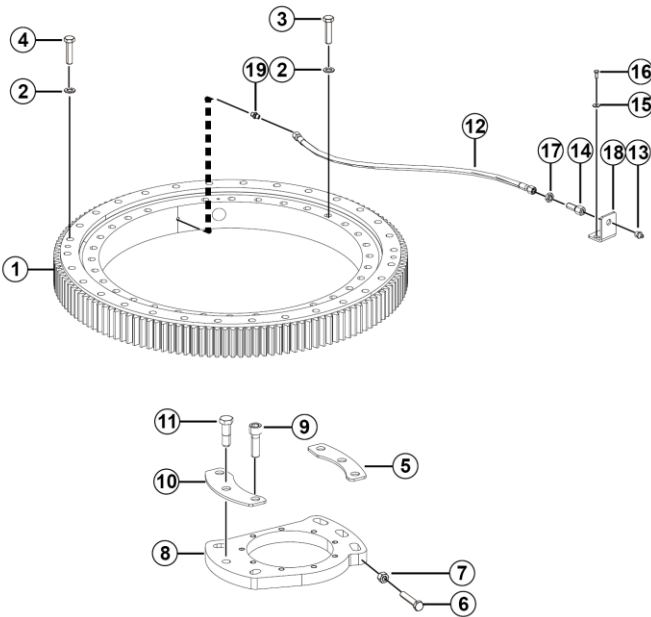
Turntable assy



Key	Part No.	Description	Spare parts Y/N	Qty	Remarks
45	25230026421	Adjusting washer 110*66*1	Y	2	
46	25230025441	Adjusting washer 140*66*0.5	Y	2	
47	25230025451	Adjusting washer 140*66*1	Y	2	
48	25230023981	Turntable shield	Y	1	
49	25230029021	Cable routing round steel wldmt	Y	1	
50	25230028951	Shield i	Y	1	
51	25230017351	Guard welding	Y	1	
52	4013010297	Nut gb889.1-m8flznyc-8-480	Y	4	
53	25230017361	Guard welding	Y	2	
54	25230017501	Guard welding	N	1	



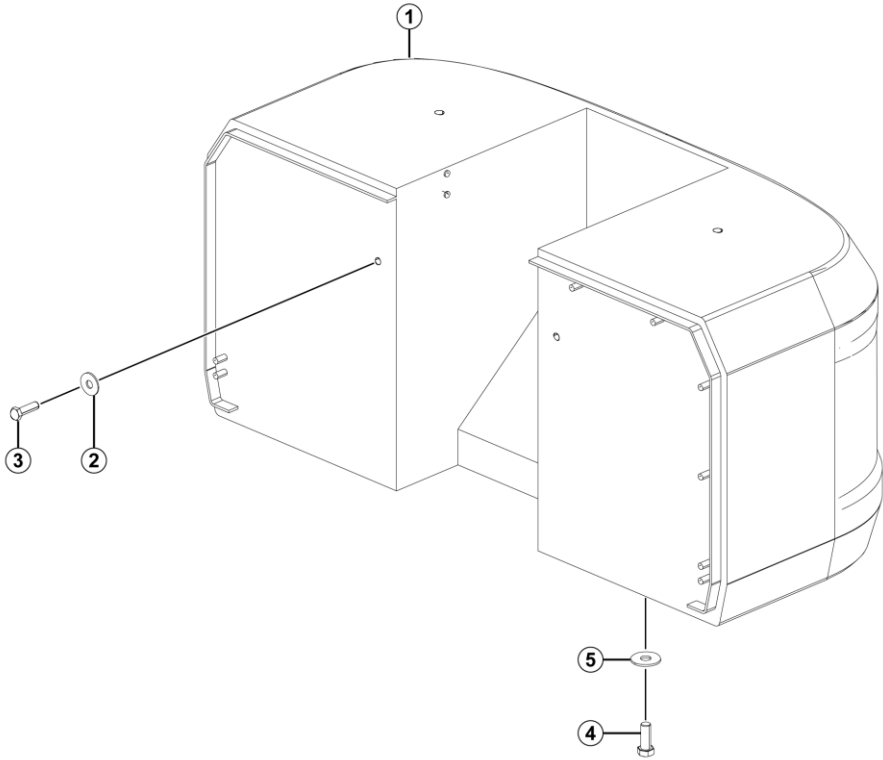
Swing mechanism installation



H2500-2525000153.S1C

Key	Part No.	Description	Spare parts Y/N	Qty	Remarks
1	4190706959	Roller swing	Y	1	
2	4015010287	Washer gb97.1-16flznyc-480	Y	56	
3	4011010887	Bolt	Y	26	
4	4011011649	Bolt gb5782-m16*120flznyc-10.9-480	Y	30	
5	25250000112	Adjusting shim 2, for fixing slewing mechanism adjusting plate	Y	1	
6	4011011483	Bolt gb5783-m20*100flznyc-10.9	Y	1	
7	4013010377	Nut gb6170-m20flznyc-10-480	Y	1	
8	25250001341	Plate	Y	1	
9	4014010623	Screw gb70.1-m20*65flznyc-10.9-480	Y	5	
10	25250000102	Adjusting shim, for fixing slewing mechanism adjusting plate	Y	1	
11	4011011498	Bolt gb27-m20*65flznyc-10.9-480	Y	1	
12	4120708616-006	Hose f481caca080804-1050	Y	1	
13	4030000065	Grease fitting jb7940.1-m10*1	Y	1	
14	25250000021	Bulkhead fitting	Y	1	
15	4015010289	Washer gb96.1-8flznyc-480	Y	2	
16	4011010711	Bolt gb5783-m8*20flznyc-8.8-480	Y	2	
17	4013010403	Nut gb6173-m14*1.5flznyc-05	Y	1	
18	25250000083	Mounting plate	Y	1	
19	25250000071	Straight fitting, 14-17	Y	1	

Counterweight assy



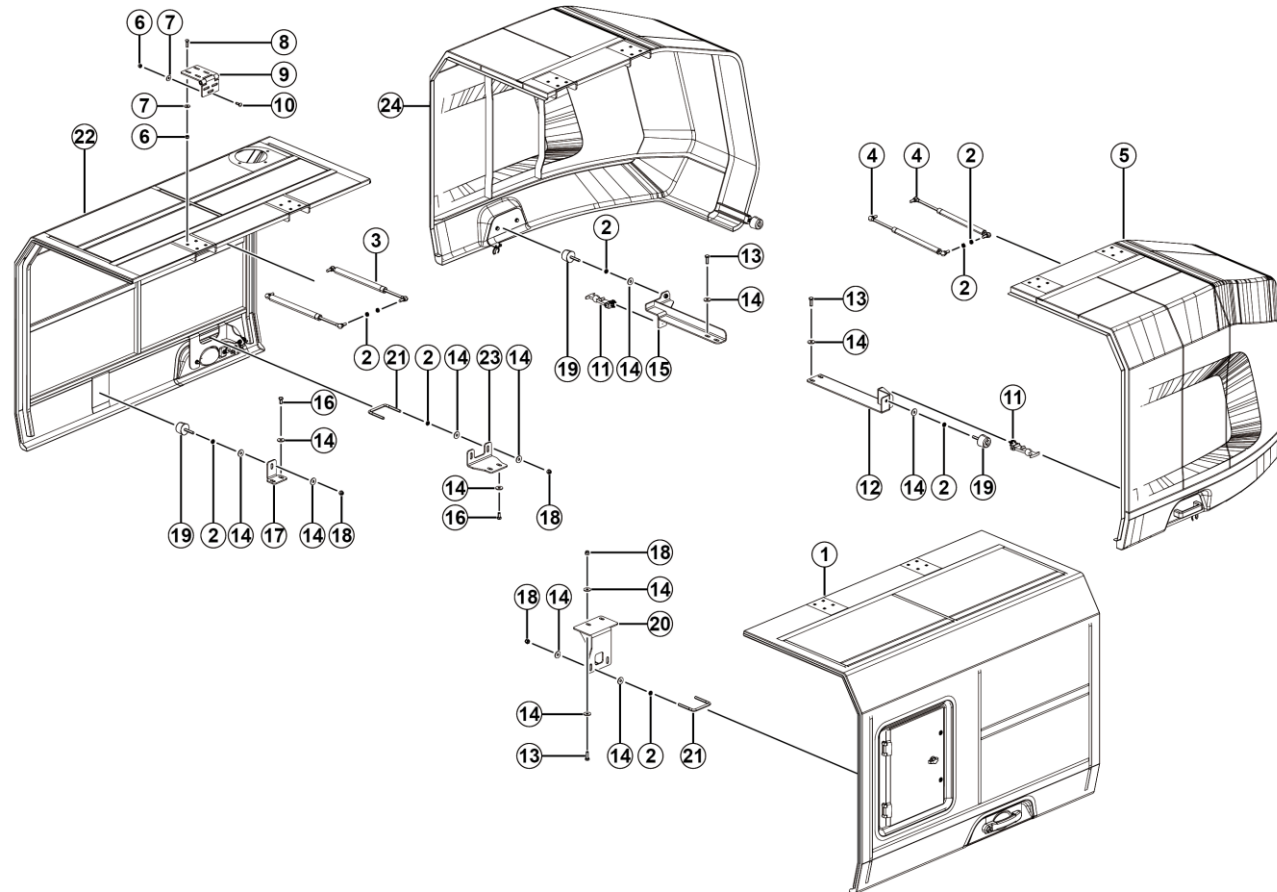
H2800-2528000559.S1B

I
COVER ACCESSORY



LINGONG HEAVY MACHINERY CO., LTD.

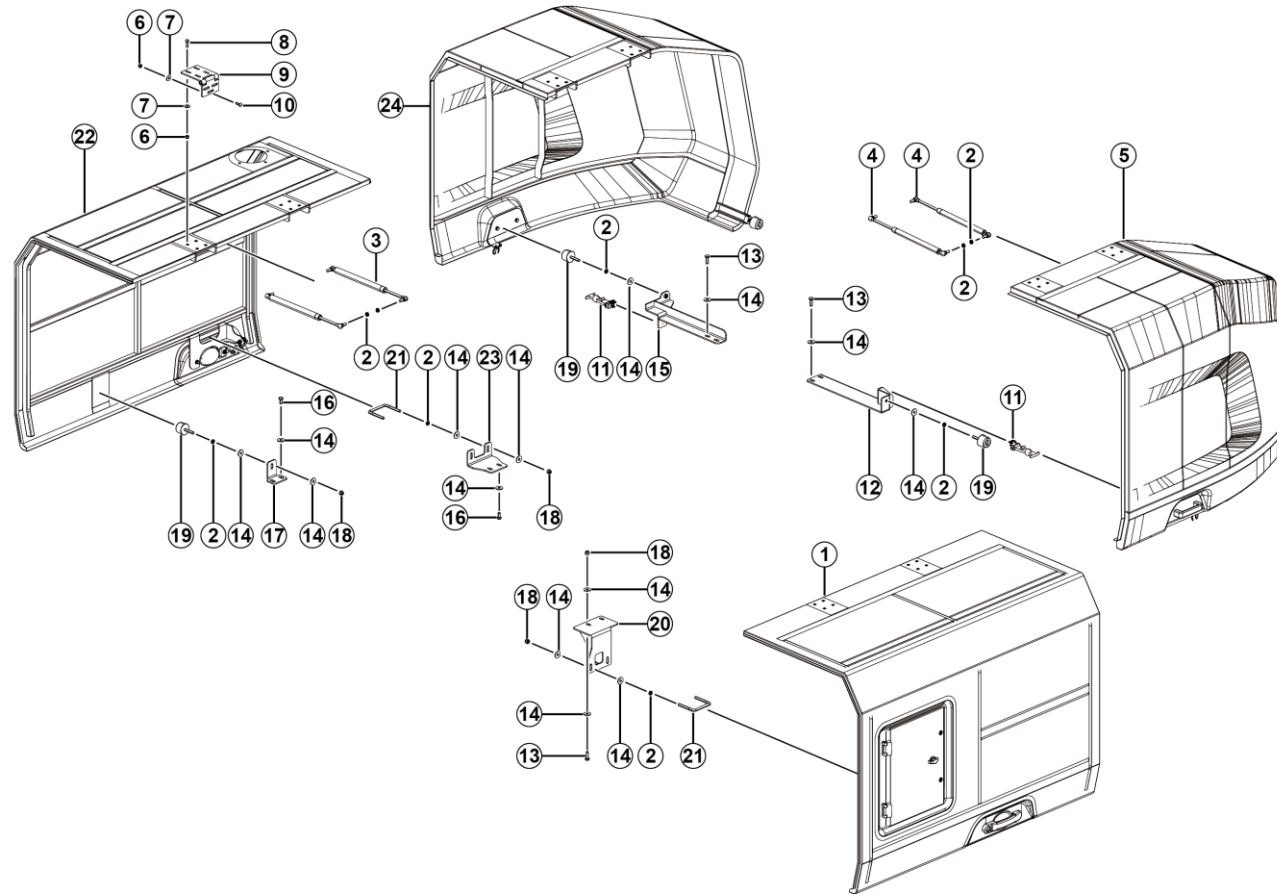
Covering accessories



I2900-2529003469.S1B

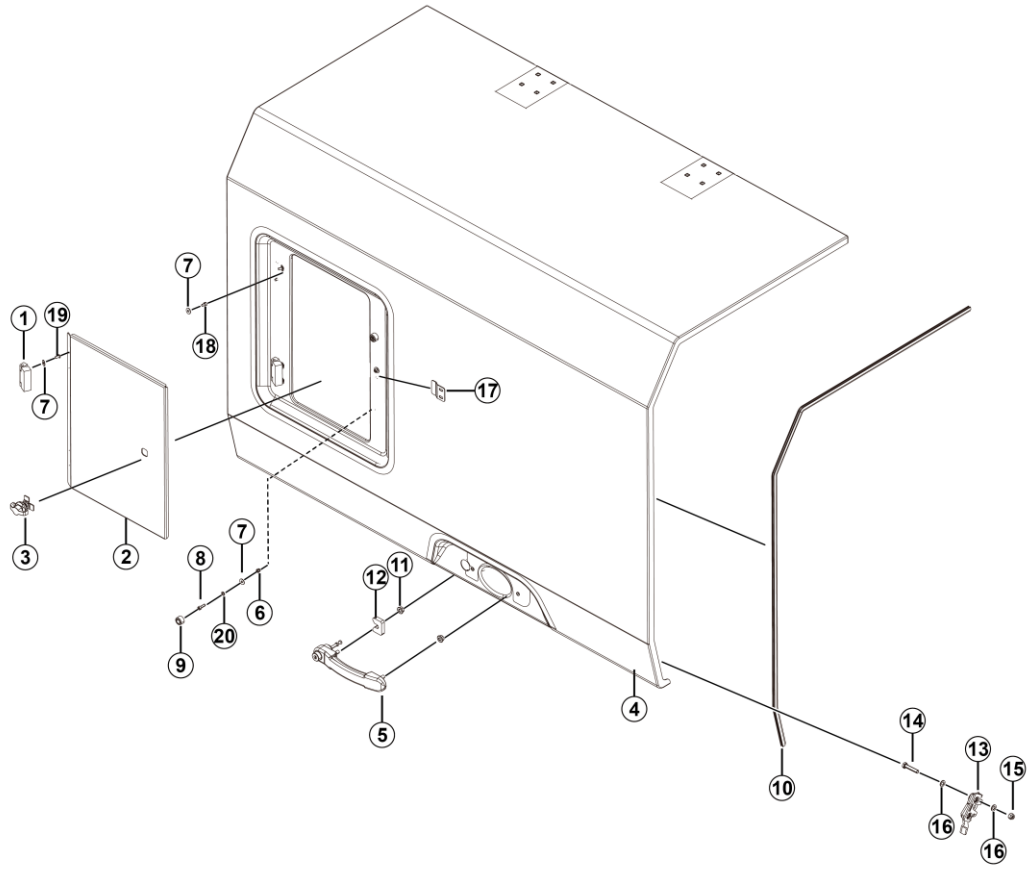
Key	Part No.	Description	Spare parts Y/N	Qty	Remarks
1	25290019741	Left front engine hood assembly	Y	1	
2	4013010349	Nut gb6172.1-m10flznycy-05-480	Y	24	
3	25290035701	Gas spring 335-550/1400n	Y	4	
4	25290035691	Gas spring 414-547/1150n	Y	4	
5	25290019761	Left rear engine hood assembly	N	1	
6	4013010297	Nut gb889.1-m8flznyc-8-480	Y	56	
7	4015010289	Washer gb96.1-8flznyc-480	Y	56	
8	4011011059	Bolt gb12-m8*30flznyc-8.8-480	Y	32	
9	25290018182	Hinge	Y	8	
10	4011011542	Bolt gb12-m8*25flznyc-8.8-480	Y	24	
11	25290002891	Clip assembly	Y	2	
12	25290027981	Lh handle bracket wdmt	Y	1	
13	4011010707	Bolt gb5783-m10*30flznyc-8.8-480	Y	6	
14	4015010278	Washer gb96.1-10flznyc-480	Y	28	
15	25290027991	Rh handle bracket wdmt	Y	1	
16	4011010748	Bolt gb5783-m10*20flznyc-8.8-480	Y	6	
17	25290020282	Bending plate	Y	2	
18	4013010296	Nut gb889.1-m10flznyc-8	Y	8	
19	25290005903	Forming (stamping, etc.), damping pad	Y	4	
20	25290034821	Lh lock bar bracket wdmt	Y	1	
21	25290026572	Lock post	Y	2	
22	25290034701	Rh fr hood assy	N	1	

Covering accessories



I2900-2529003469.S1B

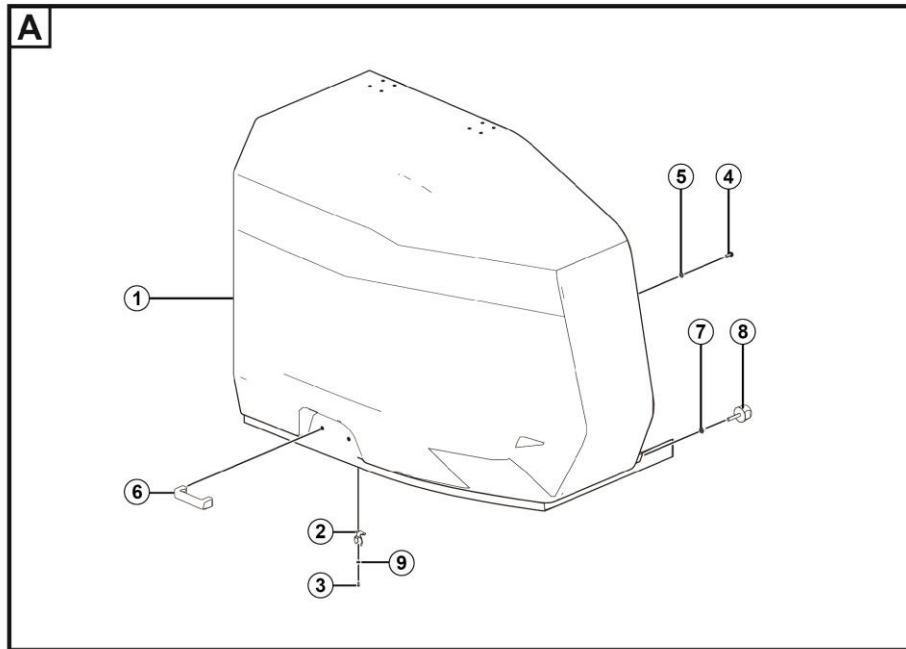
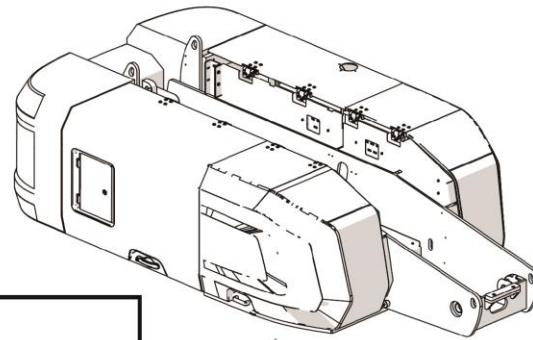
Lh fr hood assy



I2900-2529001974.S1E

Key	Part No.	Description	Spare parts Y/N	Qty	Remarks
1	4190706171	Hinge	Y	2	
2	25290013281	Hood gate	Y	1	
3	4190707746	Rotor lock	Y	1	
4	25290020551	Hood	Y	1	
5	4190003479	Outer handle assembly nbs714-26605010	N	1	
6	4013010305	Nut gb889.1-m5flznyc-8-480	Y	4	
7	4015010345	Washer gb96.1-5flznyc-480	Y	14	
8	4014010131	Screw gb70.1-m5*16flznyc-8.8-480	Y	4	
9	25290022561	Rubber damper	Y	2	
10	25290019882	Front hood rubber strip	Y	2	
11	4013010386	Nut gb6177.1-m8flznyc-8-480	Y	2	
12	25290017621	Handle stiffening plate block	Y	1	
13	4190705114	Trimark single-rotor lock 52334-01	Y	1	
14	4011010726	Bolt gb5783-m8*40flznyc-8.8-480	Y	2	
15	4013010297	Nut gb889.1-m8flznyc-8-480	Y	2	
16	4015010280	Washer gb97.1-8flznyc-480	Y	4	
17	25290018091	Plate	Y	1	
18	4014010593	Screw gb70.1-m5*8flznyc-8.8-480	Y	4	
19	4014010490	Screw gb70.2-m5*10flznyc-8.8-480	Y	4	
20	4015010283	Washer gb97.1-5flznyc-480	Y	2	

Lh rr hood assy



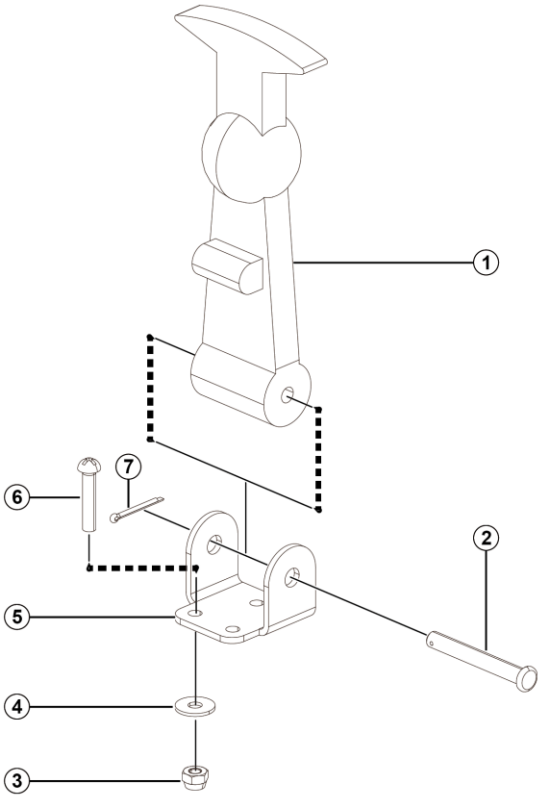
A

I1700-2529001976.S1A

Key	Part No.	Description	Spare parts Y/N	Qty	Remarks
1	25290019602	Assembly	Y	1	
2	25290019901	Ball buckle	Y	1	
3	4014010125	Screw gb818-m4*10flznyc-4.8-480	Y	2	
4	4011010711	Bolt gb5783-m8*20flznyc-8.8-480	Y	2	
5	4015010280	Washer gb97.1-8flznyc-480	Y	2	
6	25290002761	Arch handle	Y	1	
7	4013010349	Nut gb6172.1-m10flznyc-05-480	Y	1	
8	25290005903	Forming (stamping, etc.), damping pad	Y	1	
9	4015010365	Washer gb96.1-4flznyc-300hv-480	Y	2	

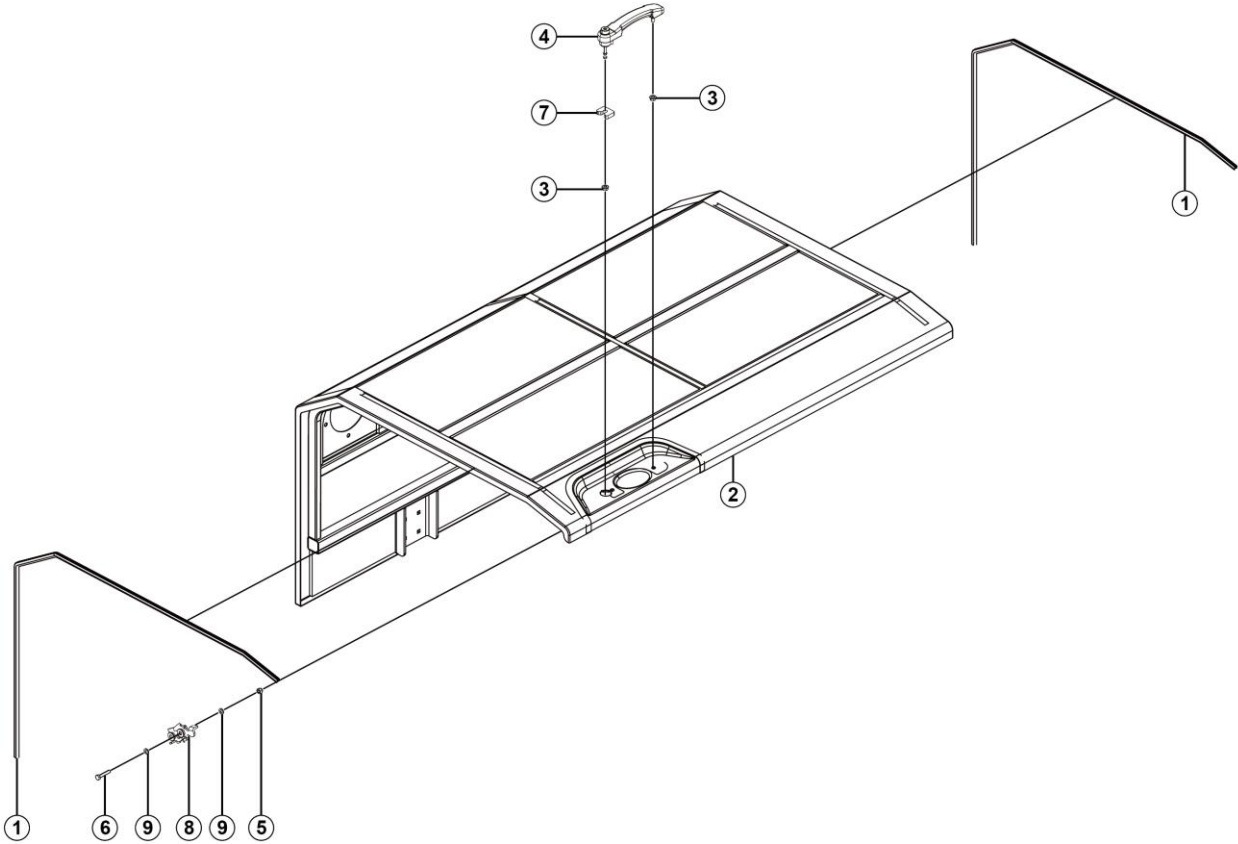


Latch assy



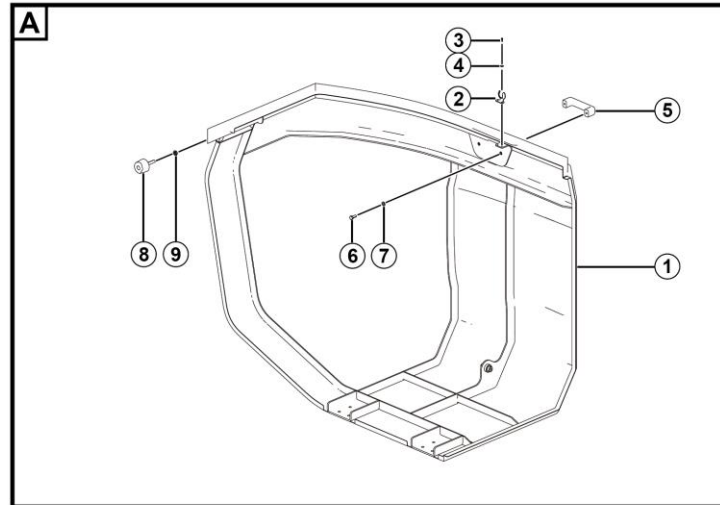
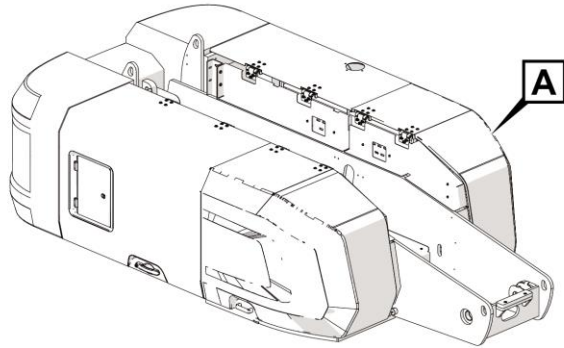
I2900-2529000289.S1B

Right front hood assy



I2900-2529003470.S1A

Rh rr hood assy



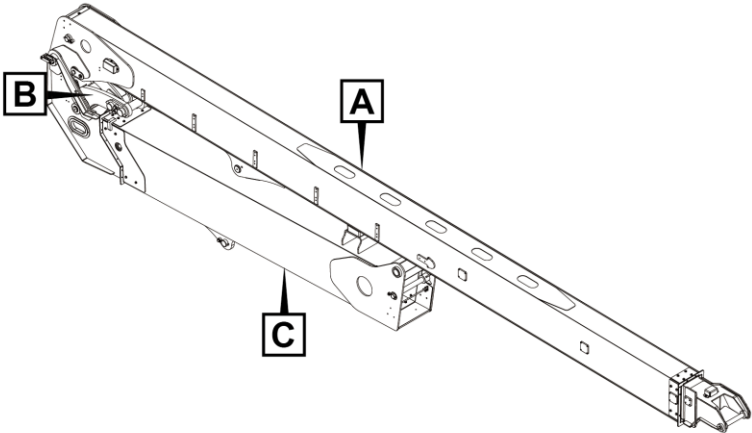
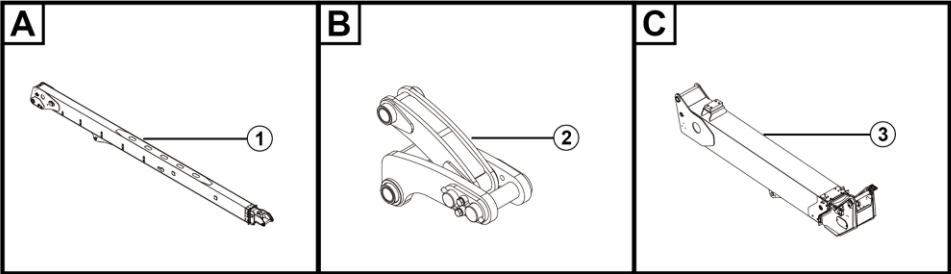
I2900-2529001977.S1A

J
BOOM SYSTEM



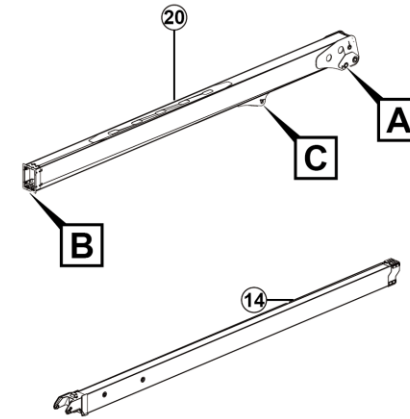
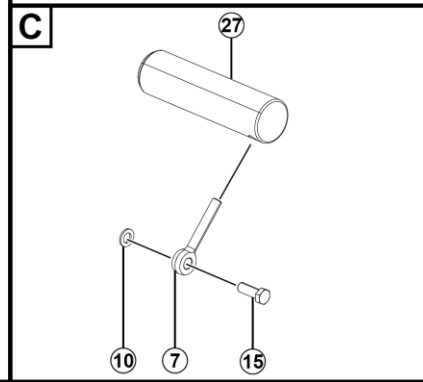
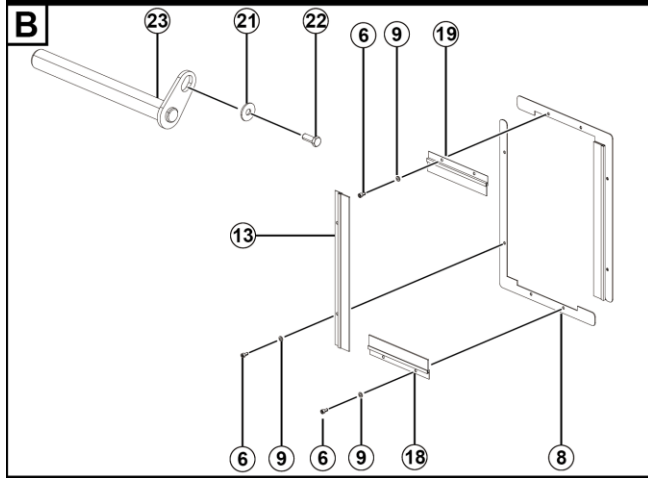
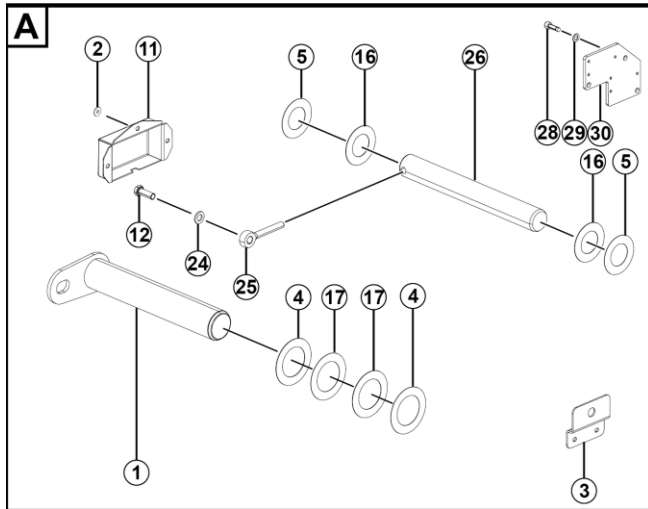
LINGONG HEAVY MACHINERY CO., LTD.

Booms assy



J2200-2522004954.S1B

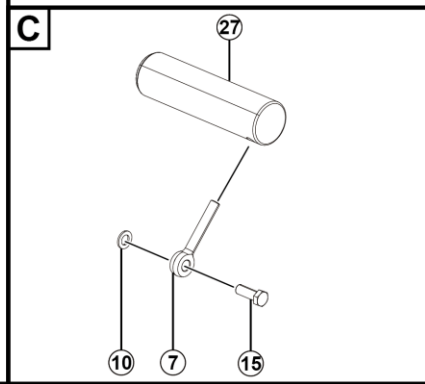
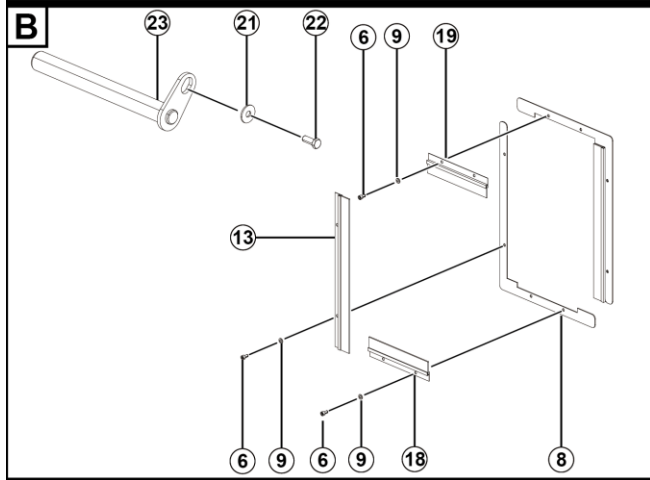
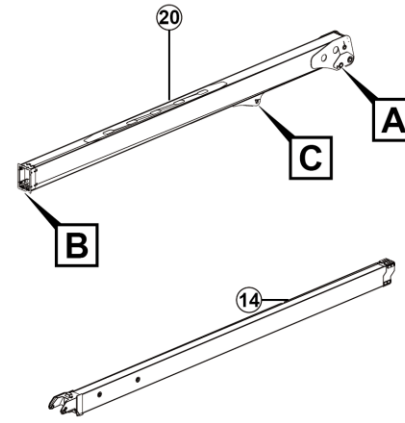
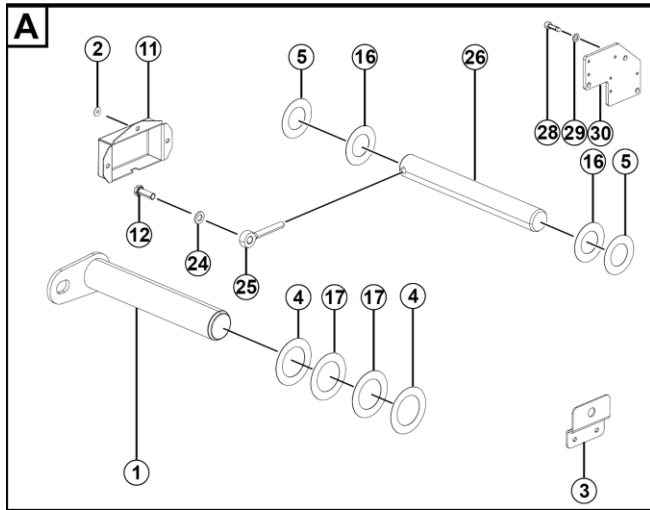
Telescopic booms assy



J2200-2522004955.S1E

Key	Part No.	Description	Spare parts Y/N	Qty	Remarks
1	25220068771	Pin wldmt	Y	1	
2	4015010296	Washer gb96.1-6flznyc-480	Y	5	
3	25330017391	Proximity switch mounting plate	Y	1	
4	25220053271	Adjusting washer 95*61*0.5	Y	2	
5	25220052351	Adjusting washer 80*45.5*1	Y	2	
6	4014010181	Screw gb70.1-m6*12flznyc-8.8-480	Y	13	
7	25220052191	Bolt	Y	1	
8	25220052241	Dust-proof plate	Y	2	
9	4015010284	Washer gb97.1-6flznyc-480	Y	8	
10	4015010287	Washer gb97.1-16flznyc-480	Y	1	
11	25220051241	Proximity switch shield	N	1	
12	4011011125	Bolt gb5783-m12*35flznyc-8.8-480	Y	1	
13	25220052321	Side dust-proof brush kit	Y	2	
14	25220049601	Primary boom extension boom assy	N	1	
15	4011011535	Bolt gb5783-m16*45flznyc-8.8-480	Y	1	
16	25220052341	Adjusting washer 80*45.5*0.5	Y	2	
17	25220053261	Adjusting washer 95*61*1	Y	2	
18	25220052311	Lwr dust-proof brush kit	Y	1	
19	25220052301	Upr dust-proof brush kit	Y	1	
20	25220049561	Primary boom assy	N	1	
21	4015010286	Washer gb96.1-12flznyc-480	Y	2	
22	4011010978	Bolt gb5783-m12*30flznyc-8.8-480	Y	2	

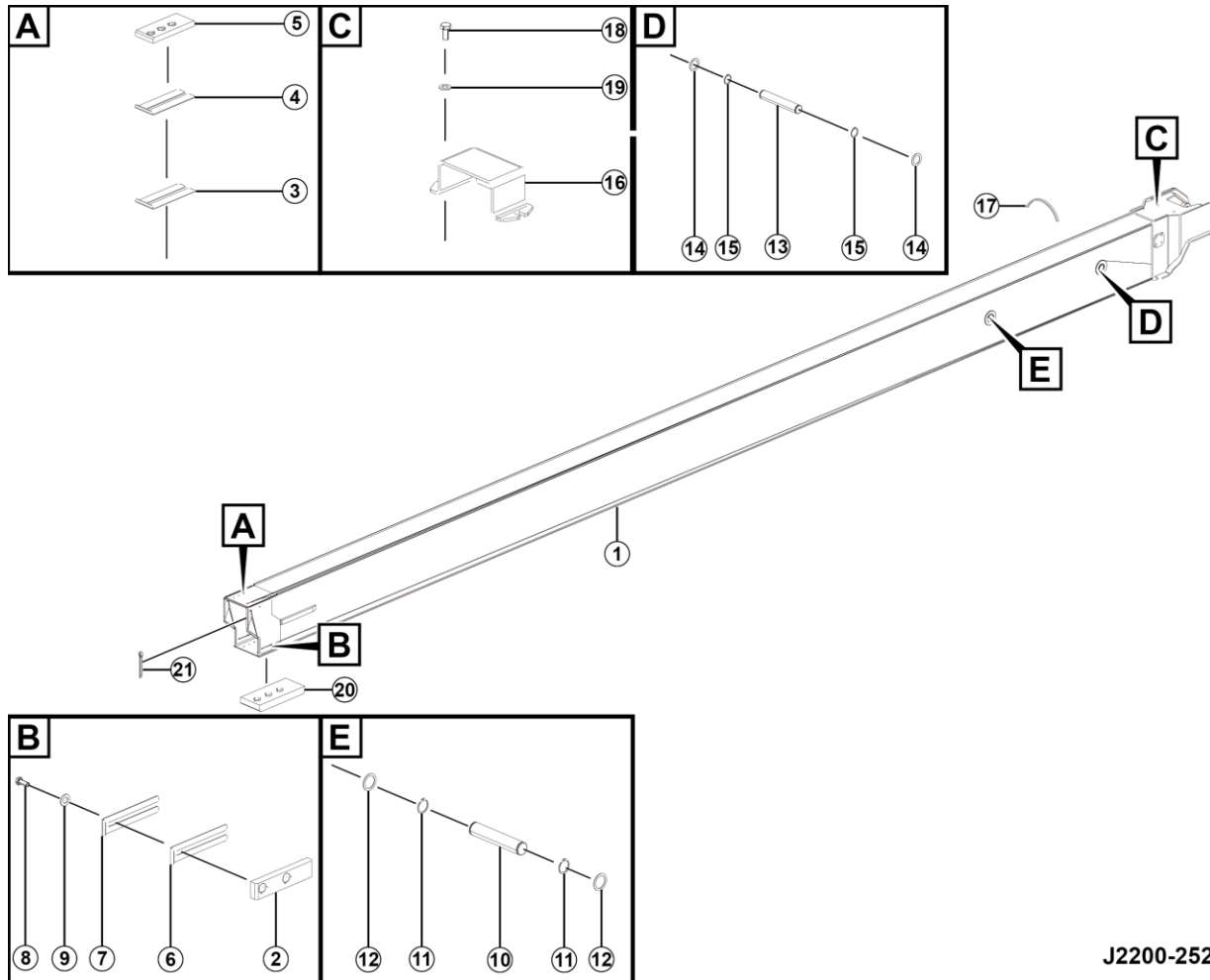
Telescopic booms assy



J2200-2522004955.S1E

Key	Part No.	Description	Spare parts Y/N	Qty	Remarks
23	25220054381	Pin wldmt	Y	1	
24	4015010340	Washer gb97.1-12flznyc-300hv-480	Y	1	
25	25220000611	Pin φ33-70	Y	1	
26	25220061851	Pin 45*361	Y	1	
27	25220060781	Shaft 75*277	Y	1	
28	4011010908	Screw gb70.1-m8*25flznyc-8.8-480	Y	3	
29	4015010280	Washer gb97.1-8flznyc-480	Y	3	
30	25220065521	Sensor mounting plate	Y	1	

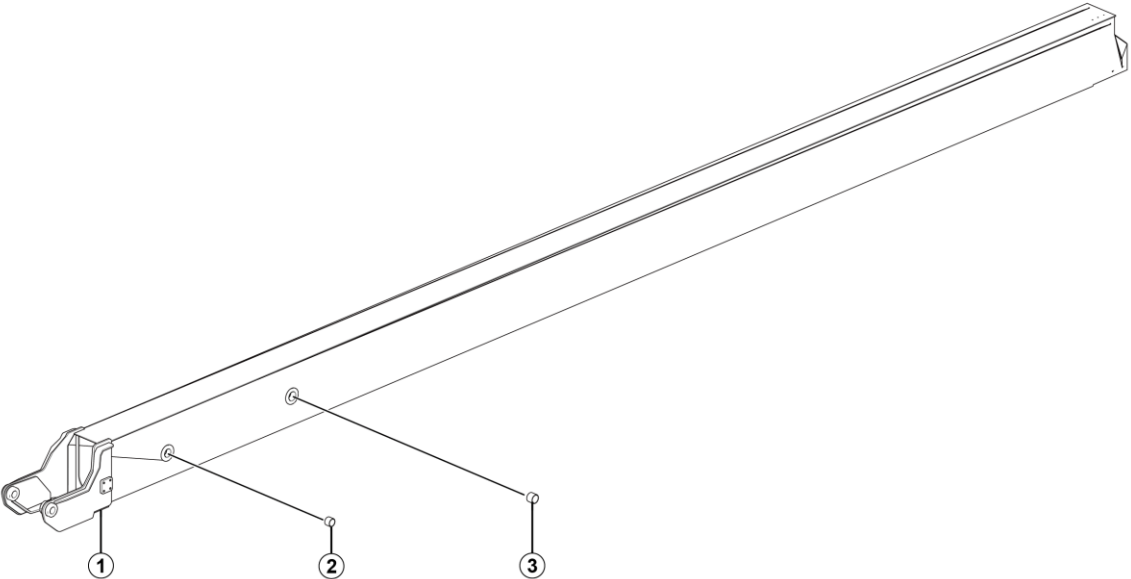
Primary boom extension boom assy



J2200-2522004960.S1A

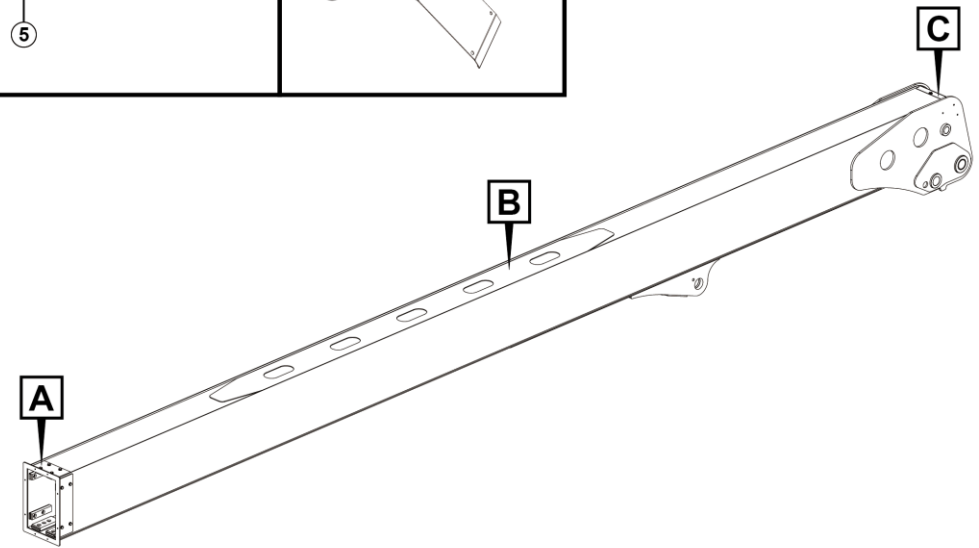
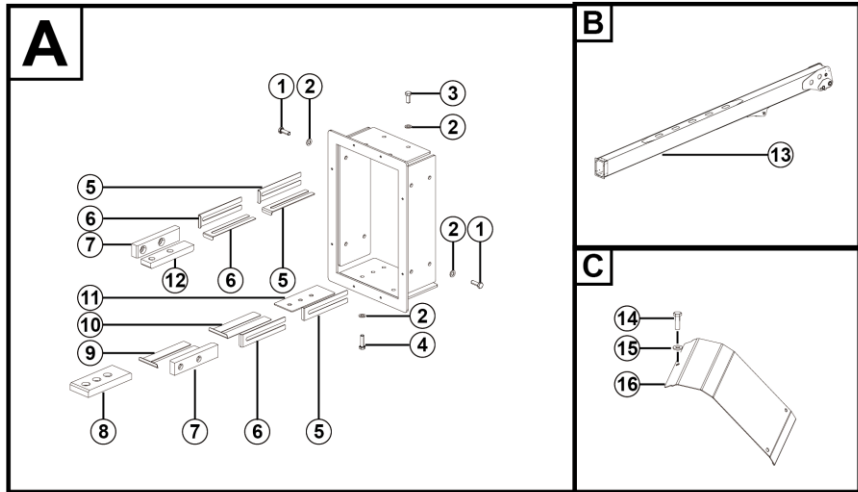
Key	Part No.	Description	Spare parts Y/N	Qty	Remarks
1	25220049611	Primary boom extension boom kit	Y	1	
2	25220051961	Slider 180*40*19	Y	4	
3	25220005911	Slider pad 76-180-2	Y	2	
4	25220005921	Slider pad 76-180-1	Y	2	
5	25220051201	Slider 180*76*18	N	2	
6	25220014921	Slide block pad	Y	4	
7	25220014931	Slide block pad	Y	4	
8	4011010722	Bolt gb5783-m10*25flznyc-8.8-480	Y	20	
9	4015010339	Washer gb97.1-10flznyc-300hv-480	Y	20	
10	25220052221	Pin 45*232	Y	1	
11	4015010376	Snap ring jb4342-45-65mn-flznyc	Y	2	
12	25220017321	Washer	Y	2	
13	25220052211	Pin 40*232	Y	1	
14	25220052201	Washer 60*40.5*2	Y	2	
15	4015010394	Wile jb4342-40flznyc-65mn-480	Y	2	
16	25220052231	Connector guard	Y	1	
17	25220007621	Clamp rubber strip 450-10	Y	1	
18	4011010970	Bolt gb5783-m8*16flznyc-8.8-480	Y	2	
19	4015010280	Washer gb97.1-8flznyc-480	Y	2	
20	25220051971	Slider 180*76*22	Y	2	
21	4016010259	Pin gb91-2*20flznyc-q235a-480	Y	1	

Primary boom extension boom kit



J2200-2522004961.S1E

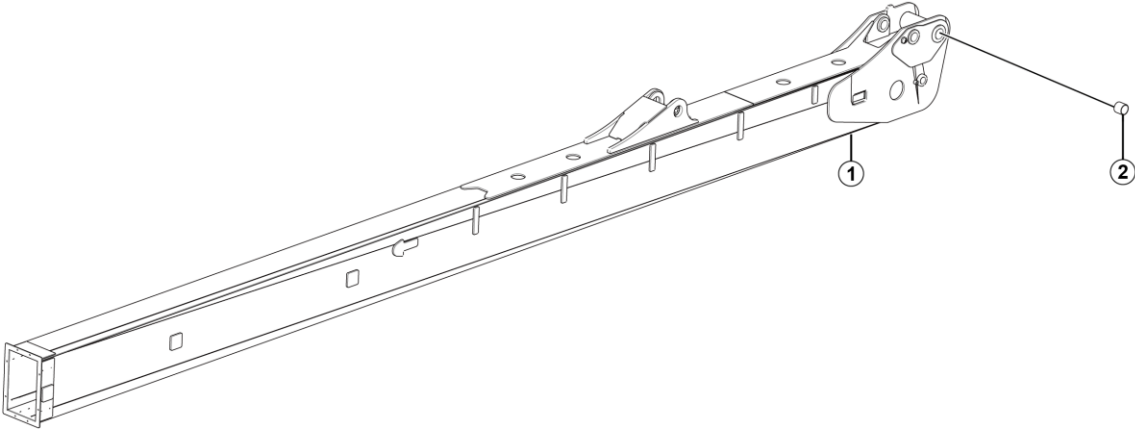
Primary boom assy



J2200-2522004956.S1B

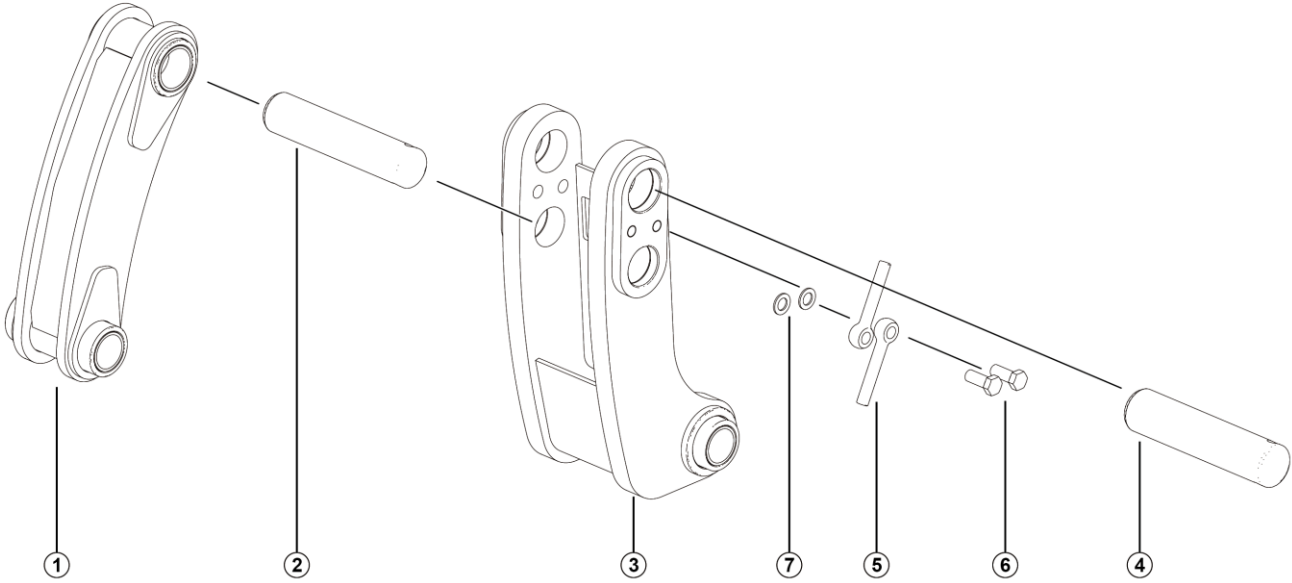
Key	Part No.	Description	Spare parts Y/N	Qty	Remarks
1	4011010707	Bolt gb5783-m10*30flznyc-8.8-480	Y	8	
2	4015010339	Washer gb97.1-10flznyc-300hv-480	Y	18	
3	4011010722	Bolt gb5783-m10*25flznyc-8.8-480	Y	4	
4	4011010727	Bolt gb5783-m10*35flznyc-8.8-480	Y	6	
5	25220014931	Slide block pad	Y	6	
6	25220014921	Slide block pad	Y	6	
7	25220014911	Slider	Y	4	
8	25220051971	Slider 180*76*22	Y	2	
9	25220005911	Slider pad 76-180-2	Y	2	
10	25220005921	Slider pad 76-180-1	Y	2	
11	25220006831	Slider adjusting pad 3mm	Y	2	
12	25220051961	Slider 180*40*19	Y	2	
13	25220049571	Primary boom kit	Y	1	
14	4011010711	Bolt gb5783-m8*20flznyc-8.8-480	Y	3	
15	4015010289	Washer gb96.1-8flznyc-480	Y	3	
16	25220051921	Rr cover plate	Y	1	

Primary boom kit



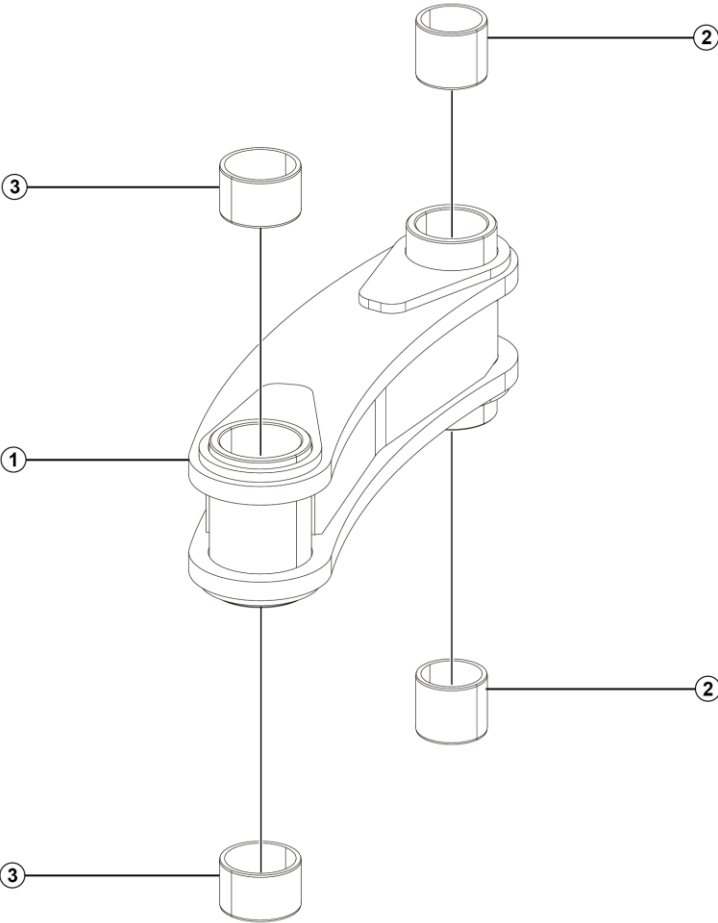
J2200-2522004957.S1E

Telescopic booms lift assy



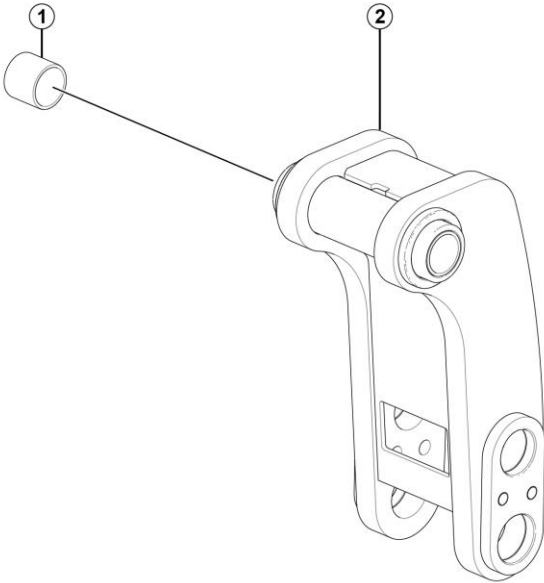
J2200-2522005260.S1C

Upr link kit



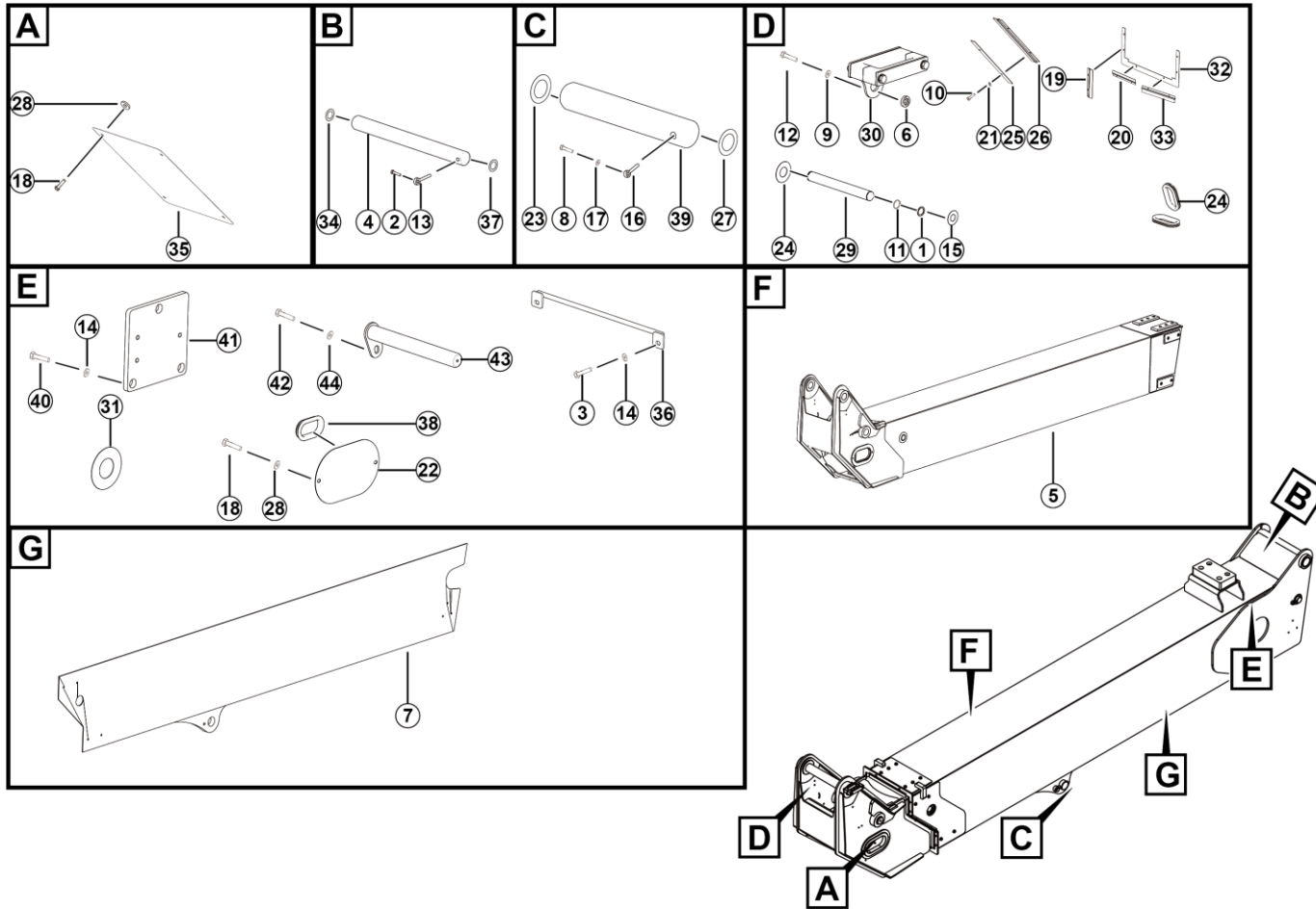
J2200-2522005261.S1B

Lwr link kit



J2200-2522005263.S1C

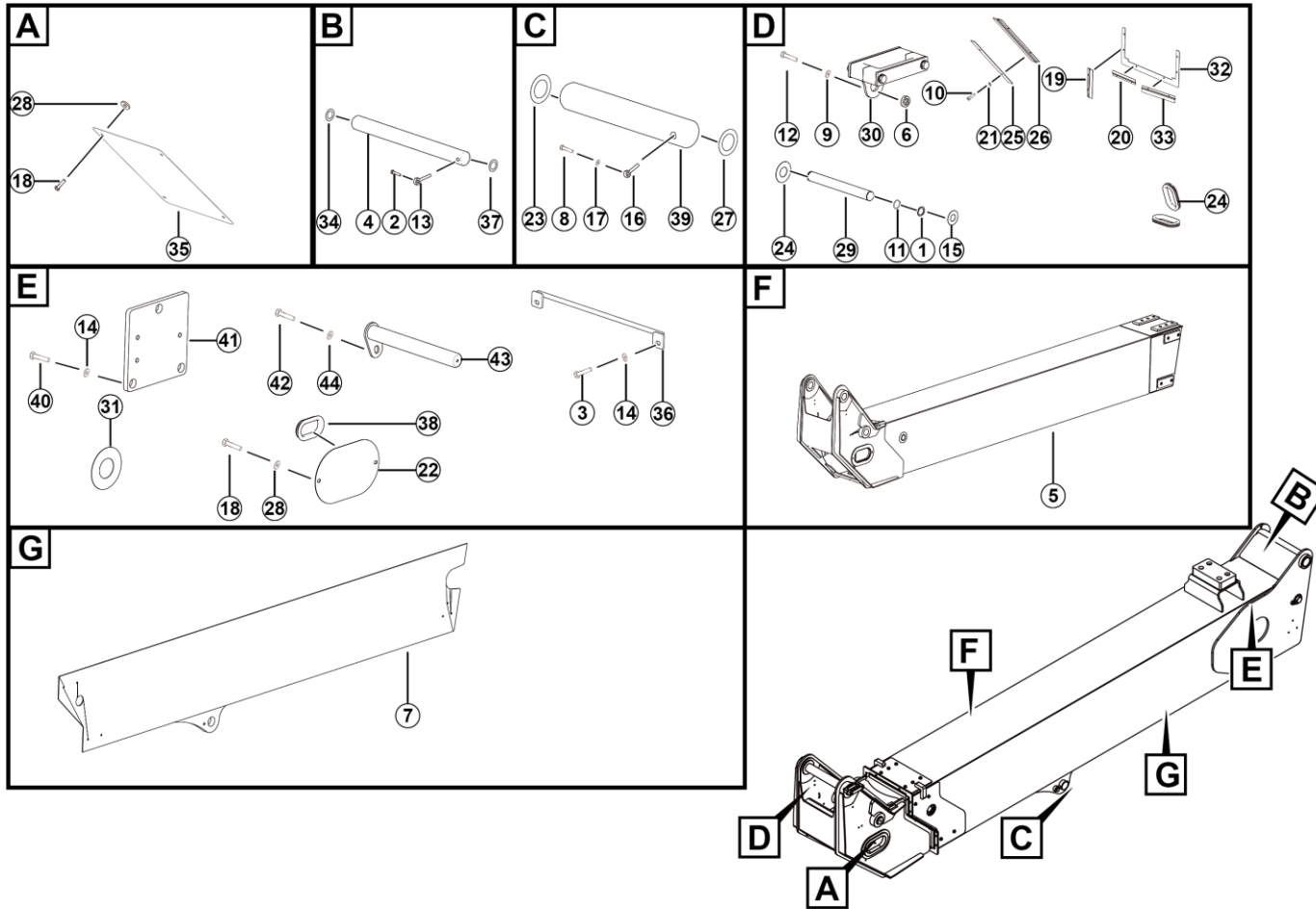
Sec boom and extension boom assy



J2200-2522004964.S1E

Key	Part No.	Description	Spare parts Y/N	Qty	Remarks
1	25220017321	Washer	Y	2	
2	4011010707	Bolt gb5783-m10*30flznyc-8.8-480	Y	1	
3	4011010711	Bolt gb5783-m8*20flznyc-8.8-480	Y	2	
4	25220052371	Shaft 475*45	Y	1	
5	25220049651	Secondary boom assy	N	1	
6	25220052911	Rotating seat	Y	1	
7	25220049691	Sec boom extension boom assy	N	1	
8	4011011117	Bolt gb5783-m16*40flznyc-8.8	Y	1	
9	4015010339	Washer gb97.1-10flznyc-300hv-480	Y	2	
10	4014010181	Screw gb70.1-m6*12flznyc-8.8-480	Y	16	
11	4015010376	Snap ring jb4342-45-65mn-flznyc	Y	2	
12	4014010182	Screw gb70.2-m10*25flznyc-8.8	Y	1	
13	25200000641	Pin, 10*70	Y	1	
14	4015010280	Washer gb97.1-8flznyc-480	Y	5	
15	25220053261	Adjusting washer 95*61*1	Y	2	
16	25220052191	Bolt	Y	1	
17	4015010287	Washer gb97.1-16flznyc-480	Y	1	
18	4011010970	Bolt gb5783-m8*16flznyc-8.8-480	Y	6	
19	25220052541	Side dust-proof brush kit i	Y	4	
20	25220052561	Lwr dust-proof brush kit	Y	1	
21	4015010284	Washer gb97.1-6flznyc-480	Y	16	
22	25220051911	Inspection hole cover plate 275*170*1.5	Y	1	

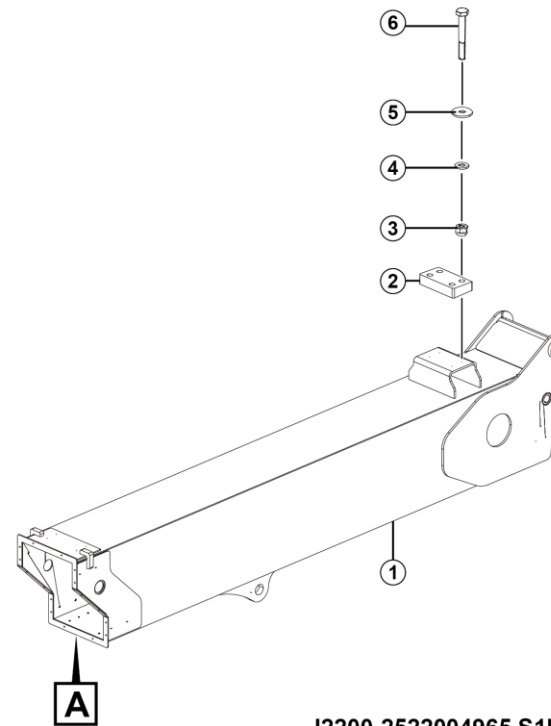
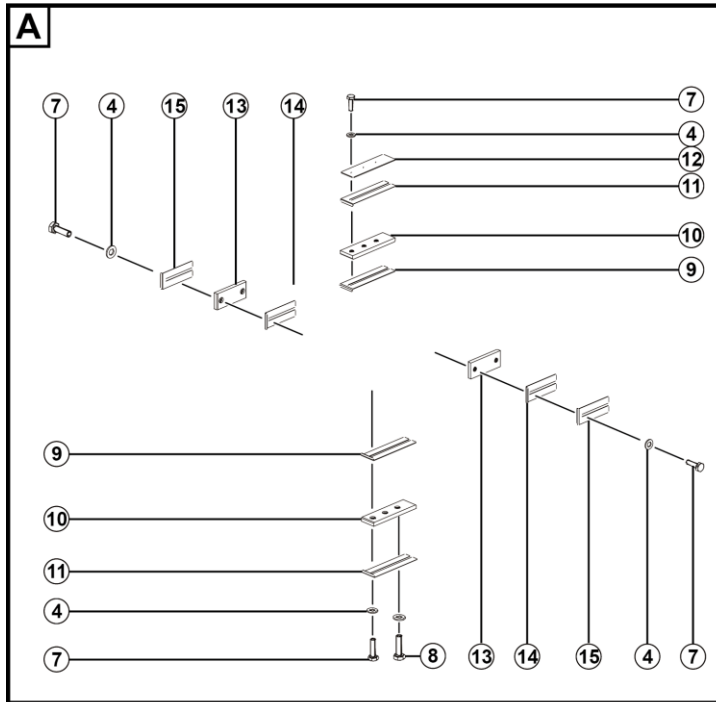
Sec boom and extension boom assy



J2200-2522004964.S1E

Key	Part No.	Description	Spare parts Y/N	Qty	Remarks
23	25230025451	Adjusting washer 140*66*1	Y	2	
24	25220052441	Grommet	Y	2	
25	25220052461	Dust-proof brush kit side plate	Y	2	
26	25220052551	Side dust-proof brush kit i i	Y	2	
27	25230025441	Adjusting washer 140*66*0.5	Y	2	
28	4015010289	Washer gb96.1-8flznyc-480	Y	6	
29	25220053131	Shaft 45*396	Y	1	
30	25220052901	Limit seat	N	1	
31	25220053271	Adjusting washer 95*61*0.5	Y	2	
32	25220052451	Dust-proof brush kit upr plate	Y	2	
33	25220052531	Upr dust-proof brush kit	Y	1	
34	25220052351	Adjusting washer 80*45.5*1	Y	2	
35	25220052361	Cover plate 580*350*1.5	Y	1	
36	25220051931	Round steel wldmt	Y	1	
37	25220052341	Adjusting washer 80*45.5*0.5	Y	2	
38	25220063111	Grommet	Y	1	
39	25220060821	Shaft 65*369	Y	1	
40	4011010908	Screw gb70.1-m8*25flznyc-8.8-480	Y	3	
41	25220065501	Sensor mounting plate 100*100*6	Y	1	
42	4011010978	Bolt gb5783-m12*30flznyc-8.8-480	Y	2	
43	25220068731	Pin wldmt	Y	2	
44	4015010286	Washer gb96.1-12flznyc-480	Y	2	

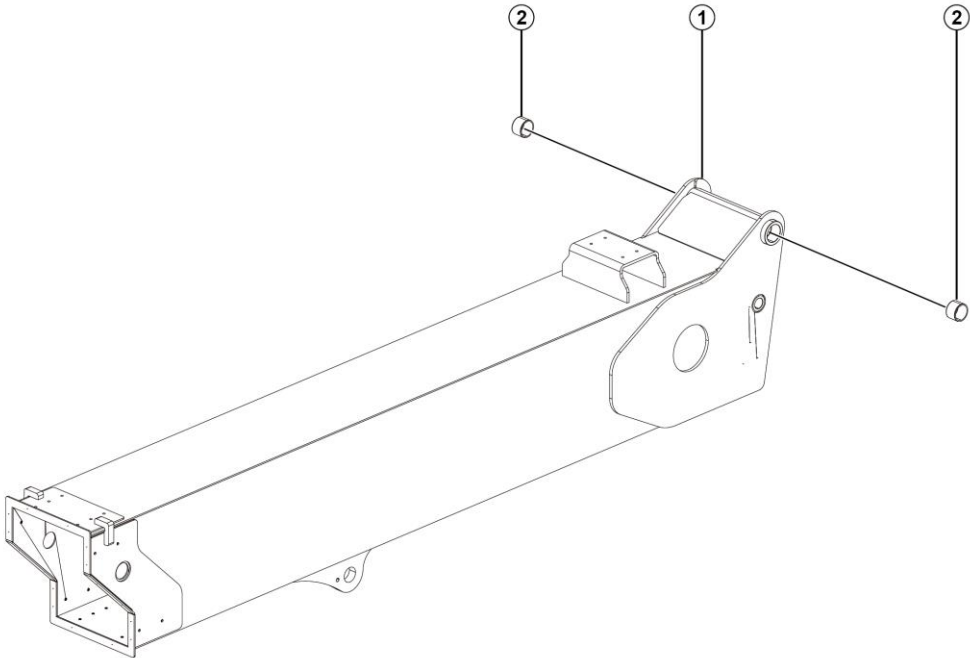
Secondary boom assy



J2200-2522004965.S1B

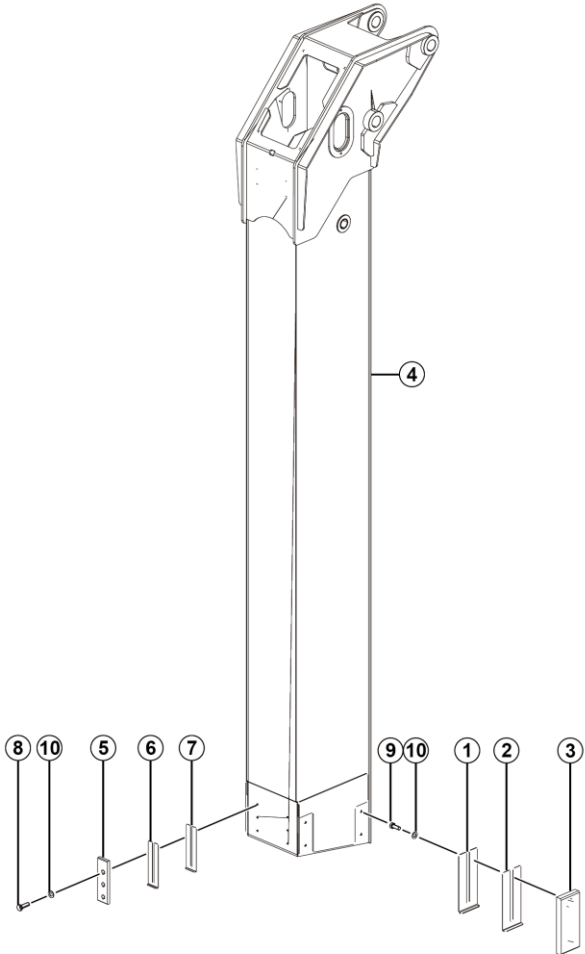
Key	Part No.	Description	Spare parts Y/N	Qty	Remarks
1	25220049661	Secondary boom kit	Y	1	
2	25220054551	Support block 280*160*62	Y	1	
3	4013010296	Nut gb889.1-m10flznyc-8	Y	4	
4	4015010339	Washer gb97.1-10flznyc-300hv-480	Y	24	
5	4015010278	Washer gb96.1-10flznyc-480	Y	4	
6	4011010825	Bolt gb5782-m10*70flznyc-8.8	Y	4	
7	4011010707	Bolt gb5783-m10*30flznyc-8.8-480	Y	14	
8	4011010727	Bolt gb5783-m10*35flznyc-8.8-480	Y	6	
9	25220053141	Shim 265*76*2	Y	4	
10	25220053121	Slider 260*76*18	Y	4	
11	25220053151	Shim 265*76*1	Y	4	
12	25220053161	Backing plate 260*76*3	Y	4	
13	25220047721	Slider	Y	4	
14	25220011222	Pad	Y	4	
15	25220008832	Shim	Y	4	

Secondary boom subassy



J2200-2522004966.S1D

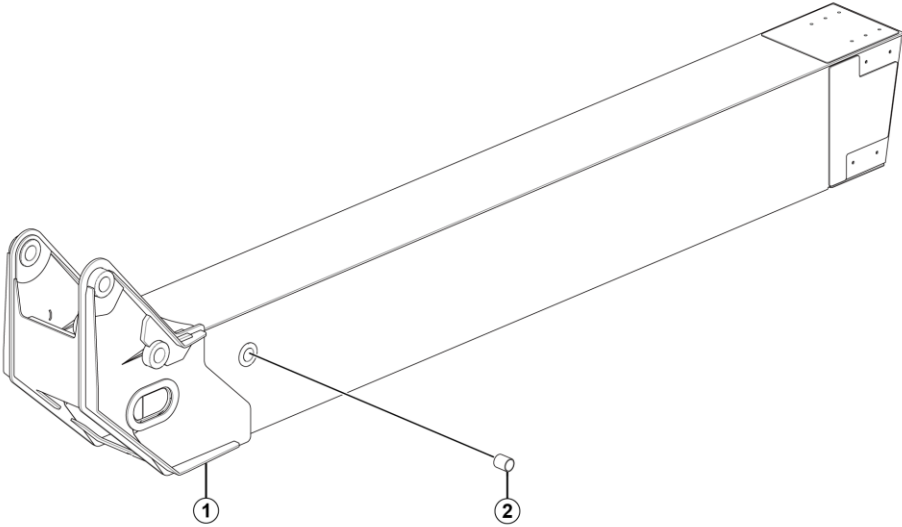
Extension boom assy



J2200-2522004969.S1A

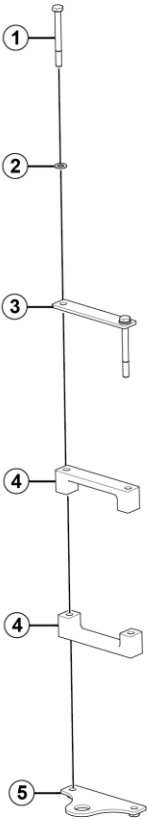
Key	Part No.	Description	Spare parts Y/N	Qty	Remarks
1	25220008832	Shim	Y	4	
2	25220011222	Pad	Y	4	
3	25220047721	Slider	Y	4	
4	25220049701	Secondary boom extension boom kit	Y	1	
5	25220053121	Slider 260*76*18	Y	4	
6	25220053141	Shim 265*76*2	Y	2	
7	25220053151	Shim 265*76*1	Y	2	
8	4011010707	Bolt gb5783-m10*30flznyc-8.8-480	Y	12	
9	4011010722	Bolt gb5783-m10*25flznyc-8.8-480	Y	8	
10	4015010339	Washer gb97.1-10flznyc-300hv-480	Y	20	

Secondary boom extension boom kit



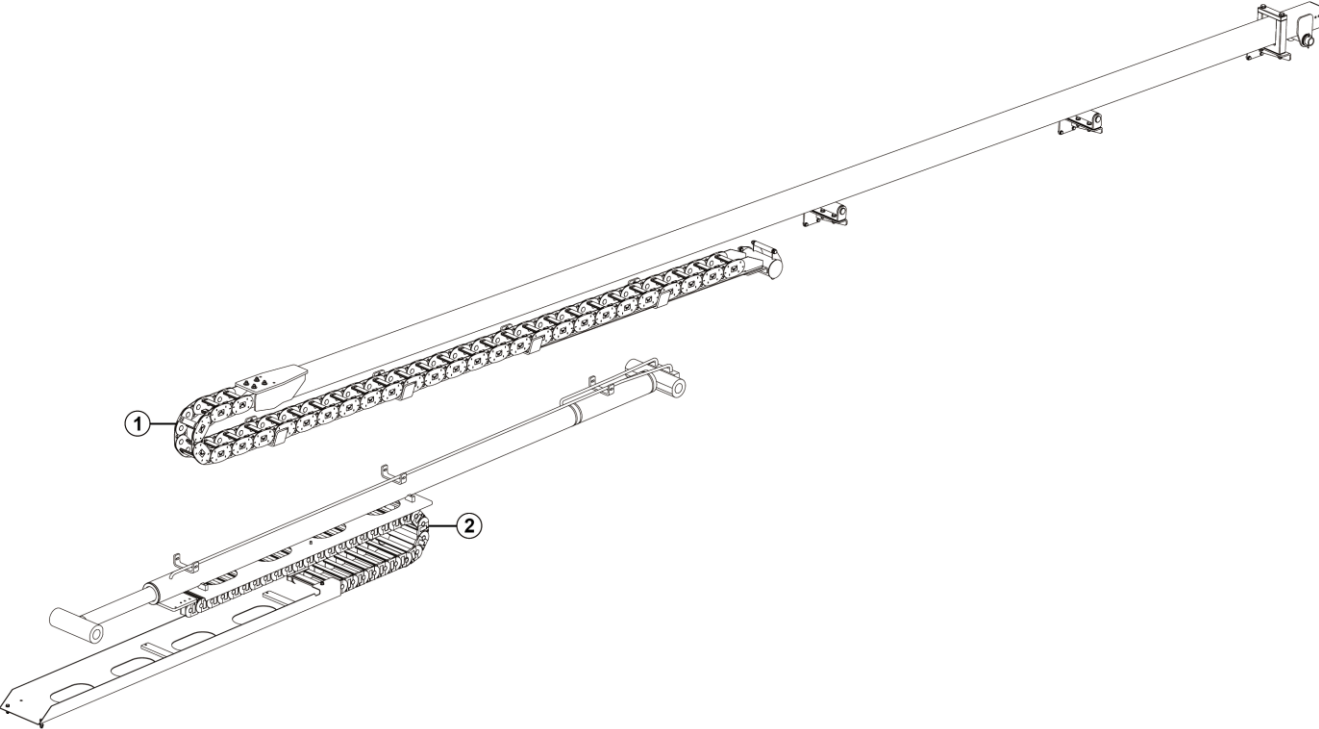
J2200-2522004970.S1E

Limit seat



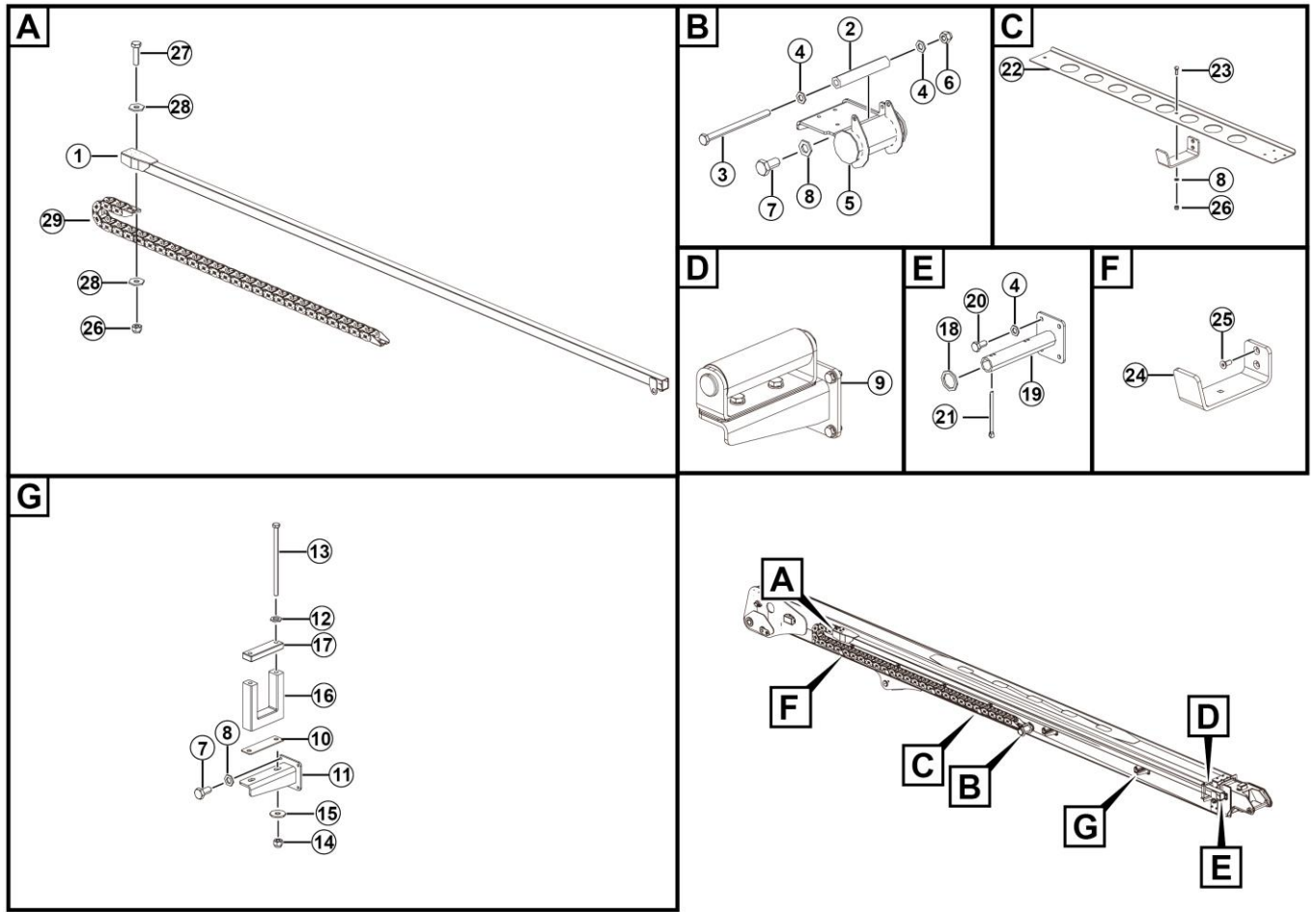
J2200-2522005290.S1B

Cable track assy



J2400-2524000614.S1B

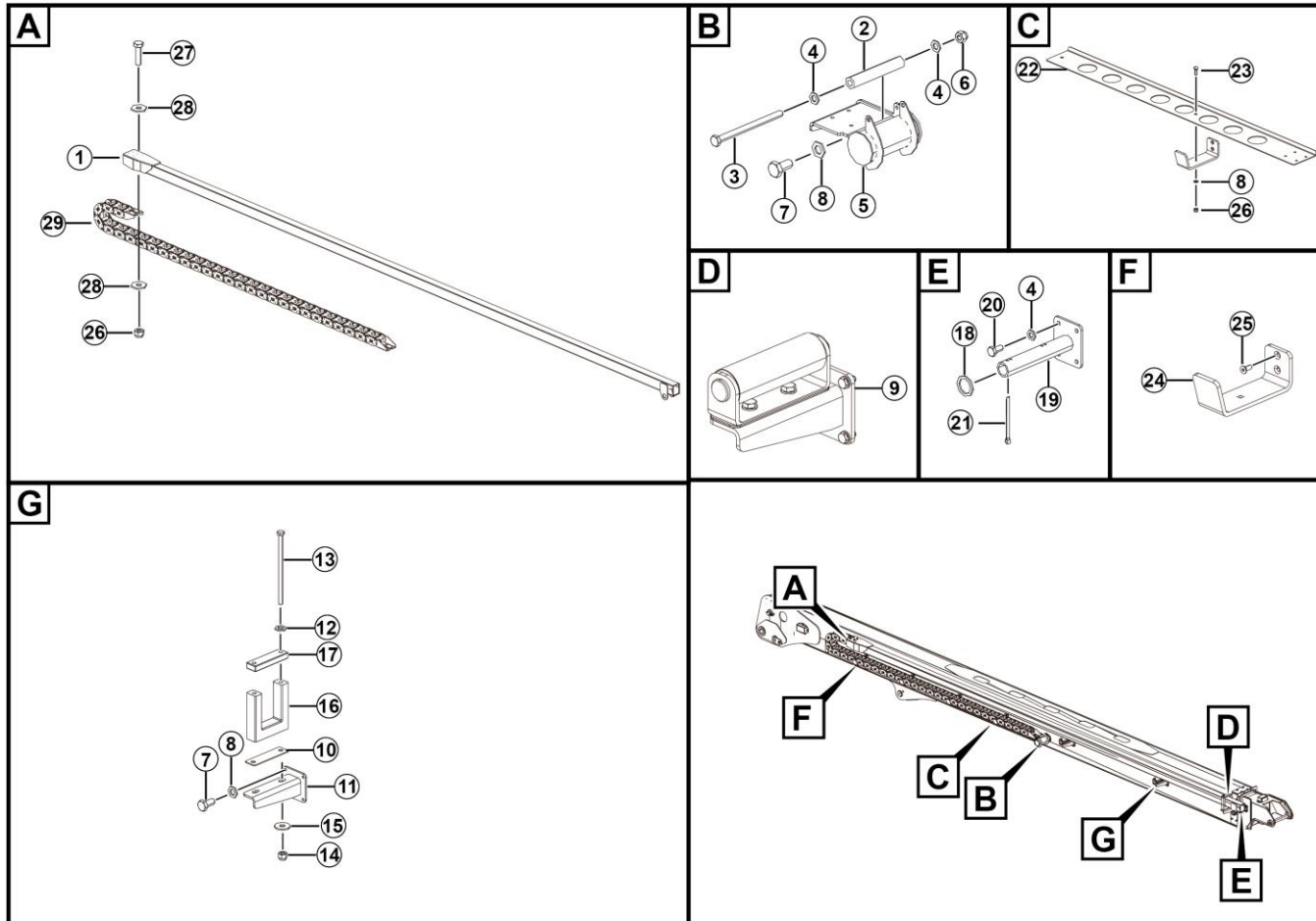
Cable track assy



H1501-2524000608.S1B

Key	Part No.	Description	Spare parts Y/N	Qty	Remarks
1	25240006481	Cable routing beam wldmt	Y	1	
2	25220035761	Pipe	Y	1	
3	4011011030	Bolt gb5782-m10*140flznyc-8.8-480	Y	1	
4	4015010339	Washer gb97.1-10flznyc-300hv-480	Y	6	
5	25240006091	Cable track fixing mount wldmt	N	1	
6	4013010296	Nut gb889.1-m10flznyc-8	Y	1	
7	4011010970	Bolt gb5783-m8*16flznyc-8.8-480	Y	16	
8	4015010280	Washer gb97.1-8flznyc-480	Y	22	
9	25240006121	Cable track bracket assy	N	2	
10	25220011361	Adjusting shim, 146*40*3	Y	1	
11	25240006371	Support seat wldmt	Y	1	
12	4015010340	Washer gb97.1-12flznyc-300hv-480	Y	2	
13	4011010945	Bolt gb5782-m12x210flznyc-8.8-300hv-480	Y	2	
14	4013010301	Nut gb889.1-m12flznyc-8-480	Y	2	
15	4015010286	Washer gb96.1-12flznyc-480	Y	2	
16	25220011352	Guide block, upper wiring beam	Y	1	
17	25220006552	Guide enclosure plate, guide enclosure block of upper wiring beam	Y	1	
18	25220002182	Washer 38.5	Y	5	
19	25240006361	Fixing tube wldmt	Y	1	
20	4011010748	Bolt gb5783-m10*20flznyc-8.8-480	Y	4	
21	4016010251	Pin gb91-5*55flznyc-q235a-480	Y	2	
22	25220053171	Cable track support plate	Y	1	

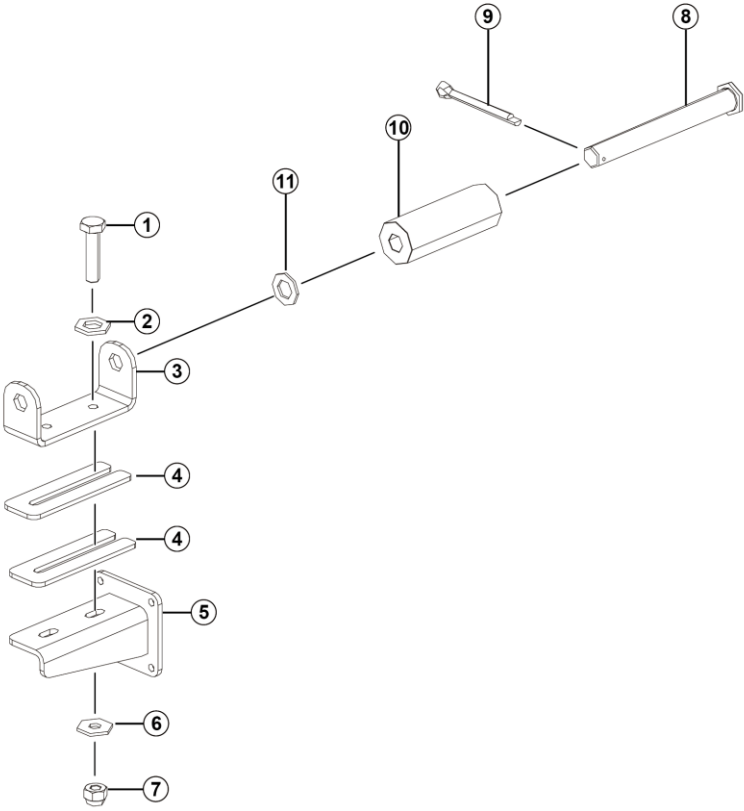
Cable track assy



H1501-2524000608.S1B

Key	Part No.	Description	Spare parts Y/N	Qty	Remarks
23	4011011542	Bolt gb12-m8*25flznyc-8.8-480	Y	2	
24	25240006301	Support seat	Y	4	
25	4013010297	Nut gb889.1-m8flznyc-8-480	Y	10	
26	4014010624	Screw gb70.3-m8*20flznyc-8.8-480	Y	8	
27	4011010708	Bolt gb5783-m8*30flznyc-8.8-480	Y	8	
28	4015010289	Washer gb96.1-8flznyc-480	Y	12	
29	4190708323	Cable track ye.42.10.100.0-57	Y	1	

Cable track bracket assy

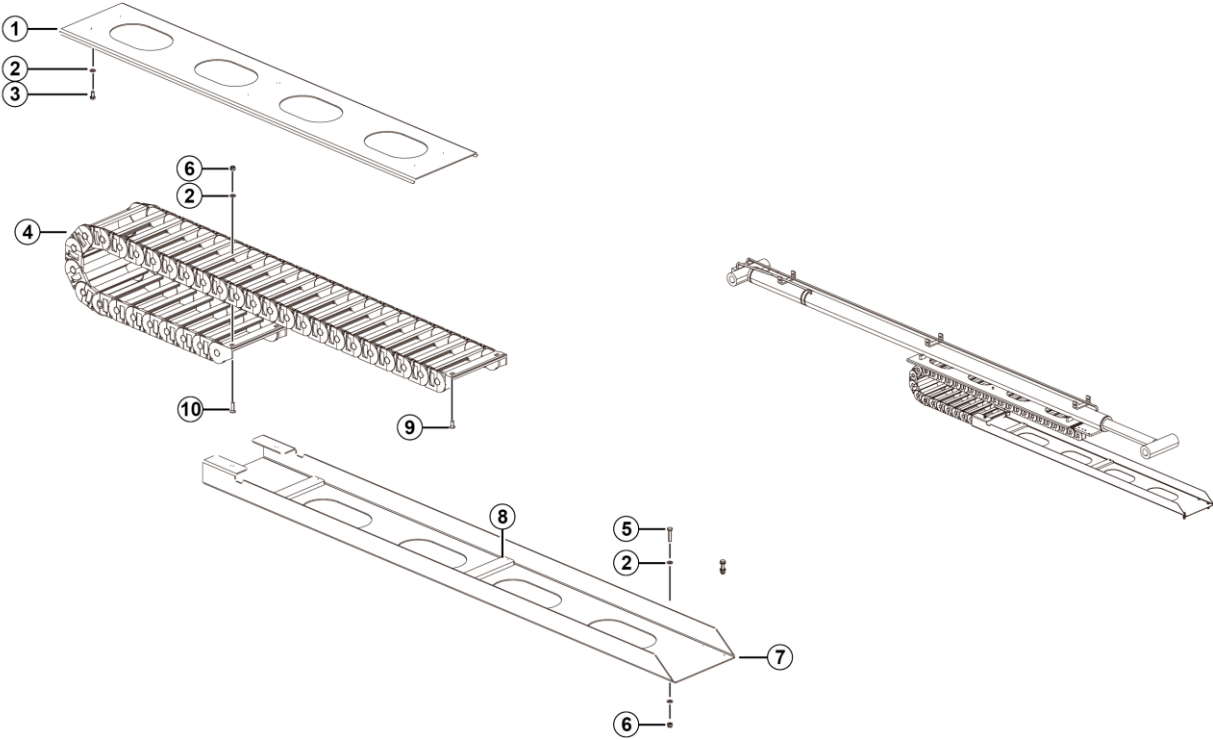


J2400-2524000612.S1A

Key	Part No.	Description	Spare parts Y/N	Qty	Remarks
1	4011010727	Bolt gb5783-m10*35flznyc-8.8-480	Y	2	
2	4015010339	Washer gb97.1-10flznyc-300hv-480	Y	2	
3	25240004381	Plate	Y	1	
4	25240006231	Shim 172*50*2	Y	2	
5	25240006111	Support seat widmt	Y	1	
6	4015010278	Washer gb96.1-10flznyc-480	Y	2	
7	4013010296	Nut gb889.1-m10flznyc-8	Y	2	
8	25240004491	Pin	Y	1	
9	4016010138	Cotter pin gb91-3.2*26flznyc-480-q235a	Y	1	
10	25240004371	Pipe	Y	1	
11	4015010338	Washer gb97.1-20flznyc-300hv-480	Y	2	



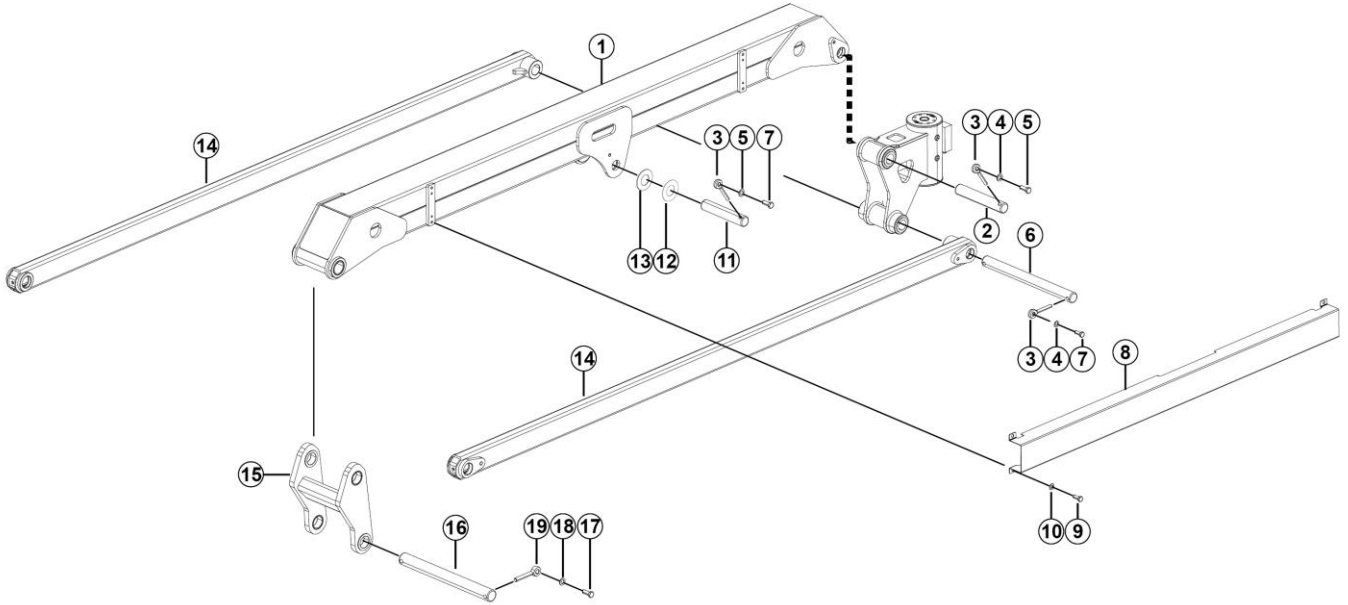
Sec boom and ext boom cable track assy



J2400-2524000610.S1C

Key	Part No.	Description	Spare parts Y/N	Qty	Remarks
1	25240006331	Upr guard 1420*255*15	Y	1	
2	4015010280	Washer gb97.1-8flznyc-480	Y	16	
3	4011010970	Bolt gb5783-m8*16flznyc-8.8-480	Y	6	
4	4190708312	Cable track 3500.200.100.0-32 links	Y	1	
5	4011010972	Bolt gb5783-m8*35flznyc-8.8-480	Y	2	
6	4013010297	Nut gb889.1-m8flznyc-8-480	Y	4	
7	25240006131	Cable routing beam wldmt	Y	1	
8	25240007771	Plate 196*30*3	Y	2	
9	4014010705	Screw gb70.2-m8*25flznyc-8.8-480	Y	2	
10	4014010713	Screw gb70.2-m8*35flznyc-8.8-480	Y	2	

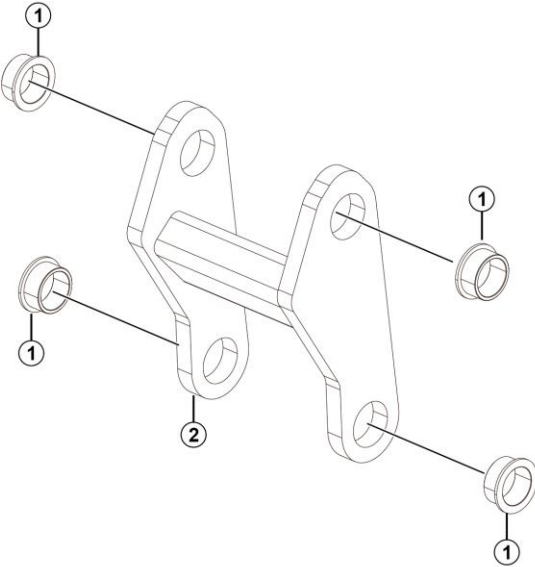
Jib assy



J2700-2527000431.S1D

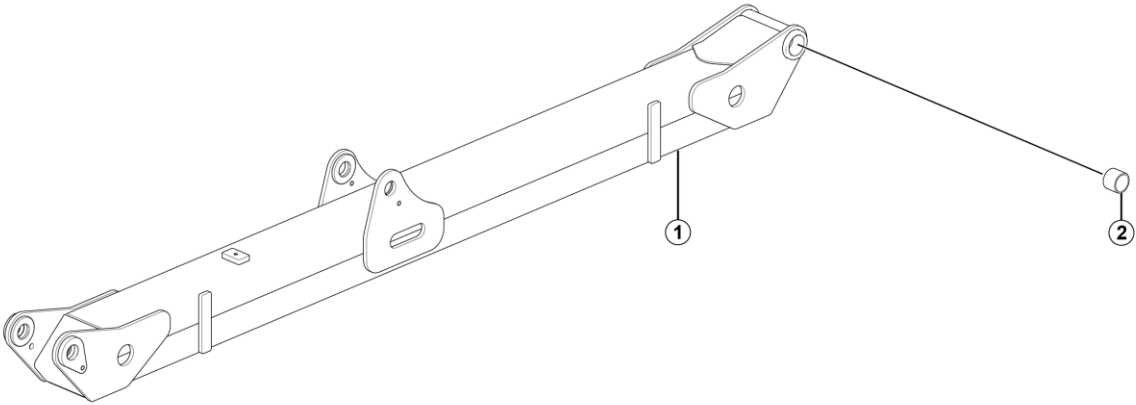
Key	Part No.	Description	Spare parts Y/N	Qty	Remarks
1	25270004371	Upr link assy	N	1	
2	25270000951	Pin 35*210	N	1	
3	25200000641	Pin, 10*70	Y	4	
4	4011010976	Bolt gb5783-m10*50flznyc-8.8-480	Y	1	
5	4015010339	Washer gb97.1-10flznyc-300hv-480	Y	4	
6	25270004581	Pin 35*404	Y	1	
7	4011010722	Bolt gb5783-m10*25flznyc-8.8-480	Y	3	
8	25270004661	Guard 1456*140*62.5	Y	1	
9	4011010746	Bolt gb5783-m8*12flznyc-8.8-480	Y	4	
10	4015010280	Washer gb97.1-8flznyc-480	Y	4	
11	25270000991	Pin 35*186	N	1	
12	25270004501	Adjusting washer 72*36*0.5	Y	2	
13	25270004621	Adjusting washer 72*36*1	Y	2	
14	25270004511	Lwr link wldmt	Y	2	
15	25270004321	Link connecting bracket assy	N	1	
16	25270005081	Pin 40*407	Y	1	
17	4011010978	Bolt gb5783-m12*30flznyc-8.8-480	Y	2	
18	4015010340	Washer gb97.1-12flznyc-300hv-480	Y	2	
19	25220000611	Pin φ33-70	Y	2	

Link connecting bracket assy



J2700-2527000432.S1A

Upr link assy



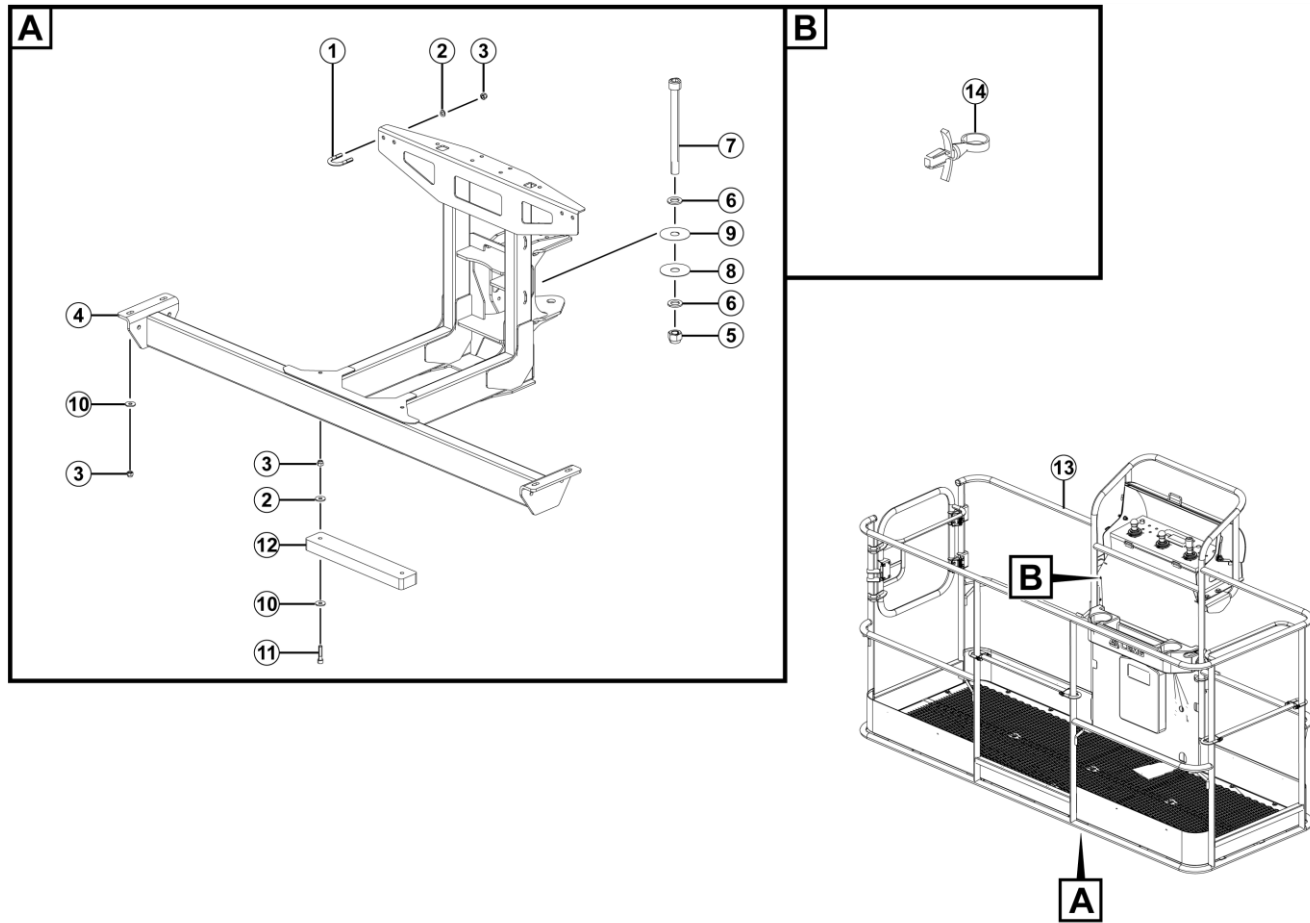
J2700-2527000437.S1C

K
PLATFORM ASSEMBLY



LINGONG HEAVY MACHINERY CO., LTD.

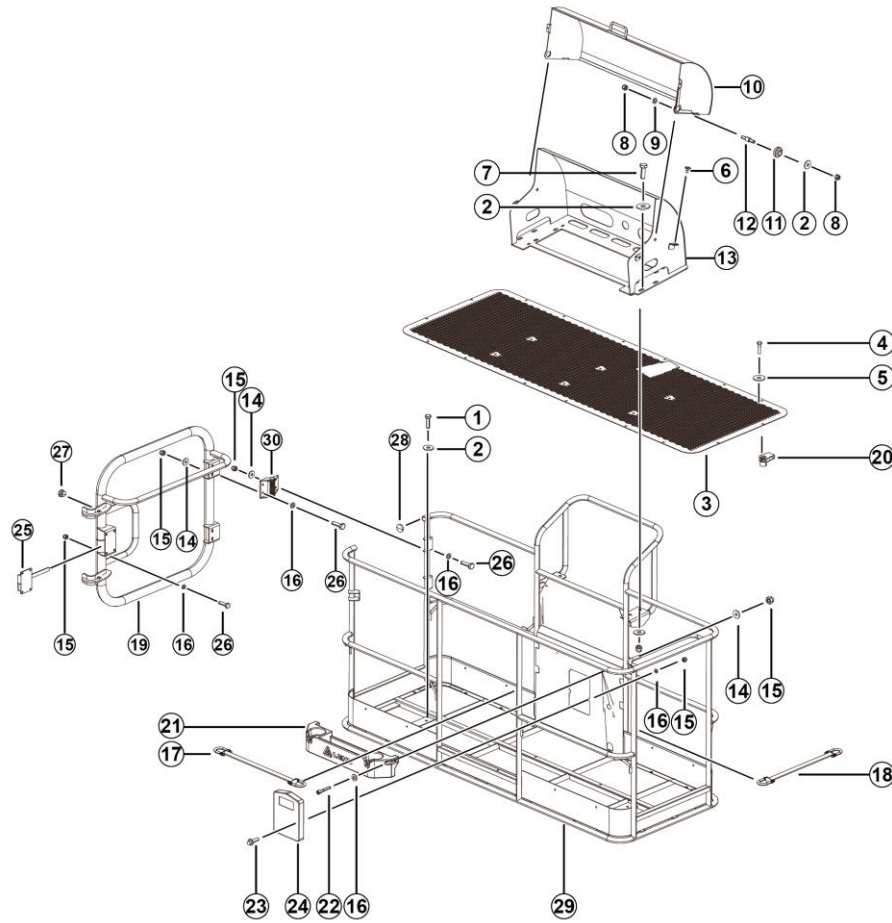
Platform assy



K2100-2521009257.S1A

Key	Part No.	Description	Spare parts Y/N	Qty	Remarks
1	25210033691	U-bolt, 35	Y	2	
2	4015010339	Washer gb97.1-10flznyc-300hv-480	Y	6	
3	4013010296	Nut gb889.1-m10flznyc-8	Y	10	
4	25210074651	Platform support	Y	1	
5	4013010417	Nut gb889.1-m24flznyc-10-480	Y	1	
6	4015010364	Washer gb97.1-24flznyc-300hv-480	Y	2	
7	4014010444	Bolt gb70.1-m24*280flznyc-10.9-480	Y	1	
8	4043015481	Washer lzb002 a90*26*1-12cr18ni9	Y	1	
9	4043015482	Washer lzb002 a90*26*0.5-12cr18ni9	Y	1	
10	4015010278	Washer gb96.1-10flznyc-480	Y	6	
11	4014010363	Screw gb70.1-m10*45flznyc-8.8-480	Y	2	
12	25210075081	Anti-collision rubber seat	Y	1	
13	25210074162	Platform framework assy	Y	1	
14	4130705910	Push mount ties	Y	4	

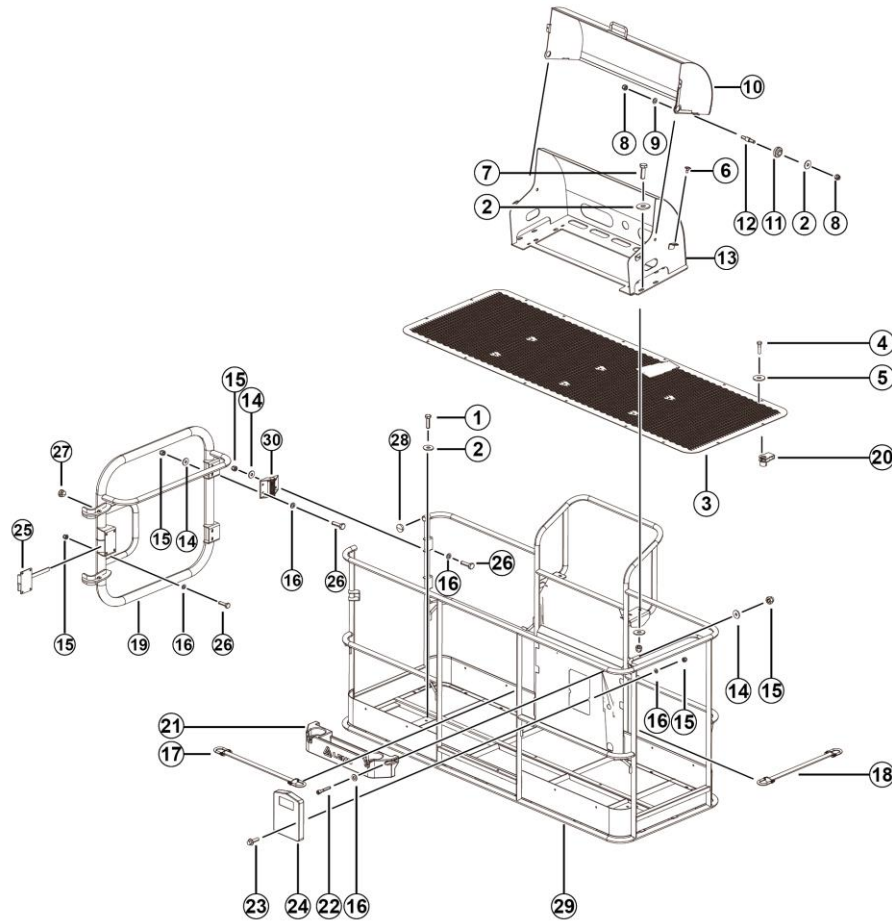
Platform framework assy



K2100-2521007416.S1B

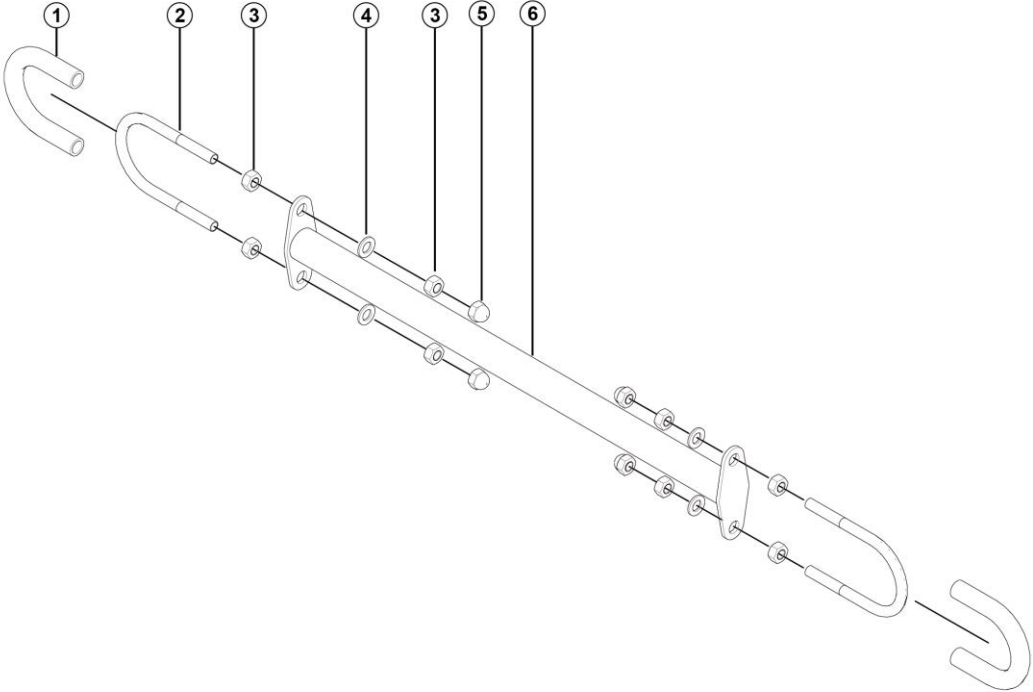
Key	Part No.	Description	Spare parts Y/N	Qty	Remarks
1	4011010727	Bolt gb5783-m10*35flznyc-8.8-480	Y	4	
2	4015010278	Washer gb96.1-10flznyc-480	Y	14	
3	25210058171	Under welding	Y	1	
4	4011010711	Bolt gb5783-m8*20flznyc-8.8-480	Y	22	
5	4015010289	Washer gb96.1-8flznyc-480	Y	22	
6	4090100284	Foot pad	Y	4	
7	4011010707	Bolt gb5783-m10*30flznyc-8.8-480	Y	4	
8	4013010296	Nut gb889.1-m10flznyc-8	Y	8	
9	4015010339	Washer gb97.1-10flznyc-300hv-480	Y	2	
10	25210059731	Protect welding	Y	1	
11	25210057401	Nylon	Y	2	
12	25210057342	Thread column	Y	2	
13	25210059654	Protective mount	Y	1	
14	4015010296	Washer gb96.1-6flznyc-480	Y	12	
15	4013010300	Nut gb889.1-m6flznyc-8-480	Y	20	
16	4015010284	Washer gb97.1-6flznyc-480	Y	20	
17	25210039571	U-shaped lifting cross bar	Y	1	
18	25210058331	U type welding	Y	1	
19	25210058361	Door welding	Y	1	
20	4013010383	Reed nut qc339-m8flznyc-8-480	Y	22	
21	4190704822	Platform toolbox lg21-gjh-01	Y	1	
22	4014010252	Screwgb70.1-m6*35flznyc-8.8-480	Y	4	

Platform framework assy



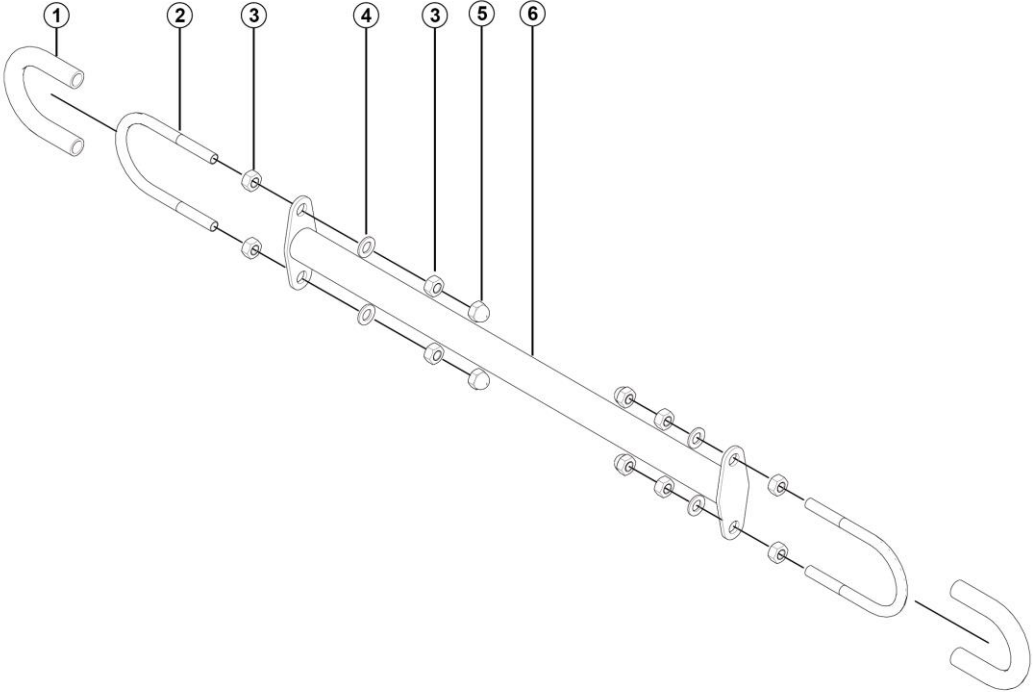
K2100-2521007416.S1B

Sliding rail



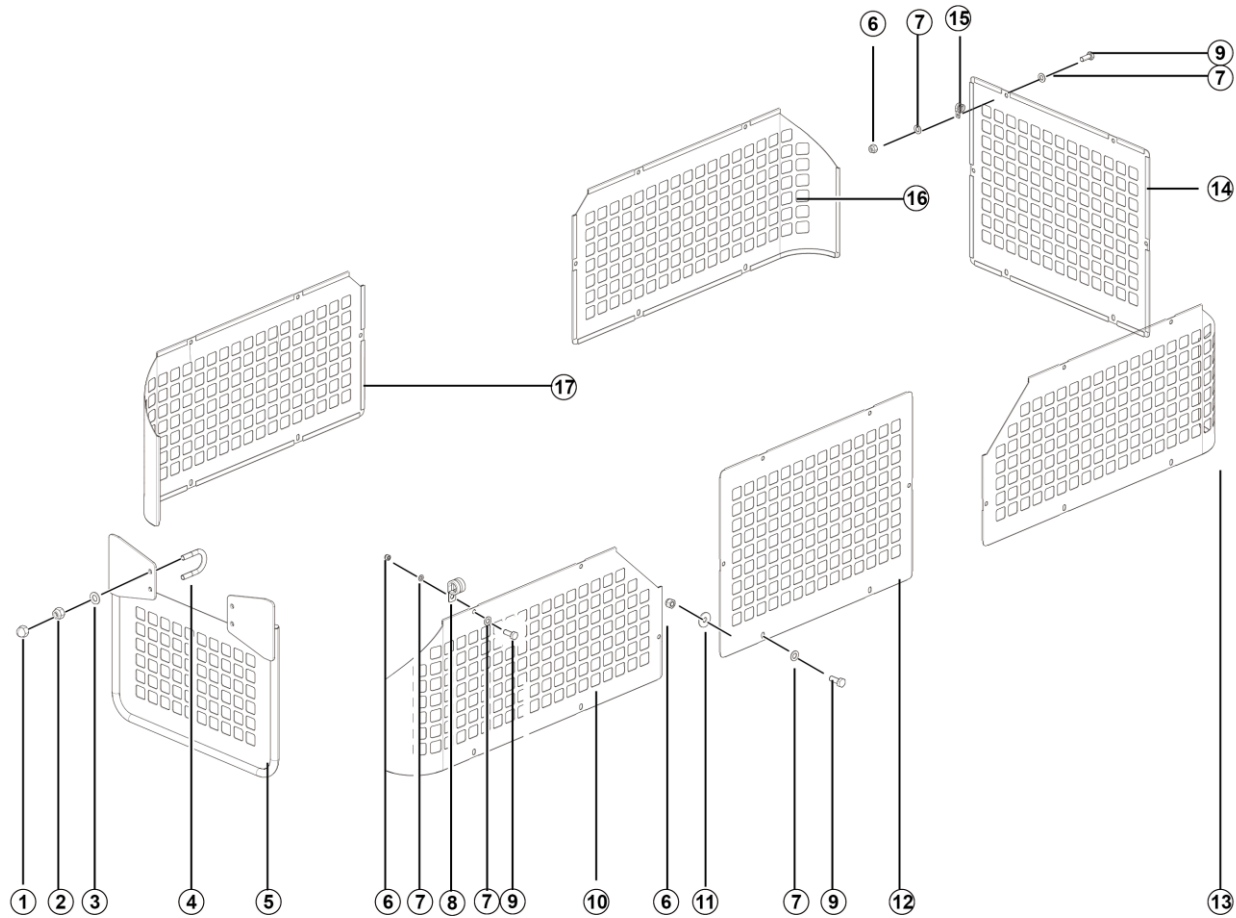
K2100-2521005833.S1C

Sliding rail



K2100-2521003957.S1C

Platform half mesh



H1501-2715012003.S1A

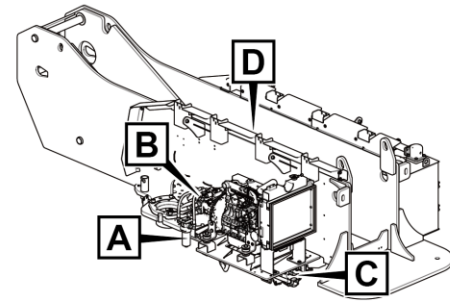
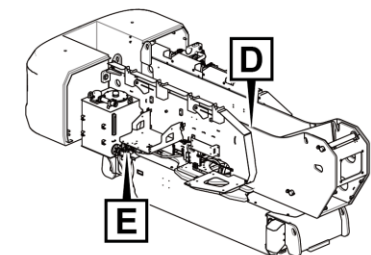
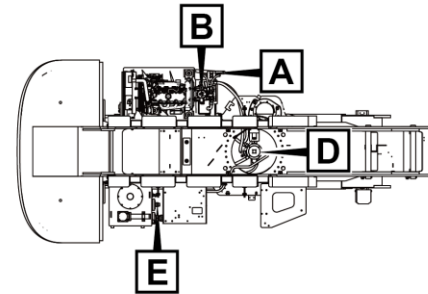
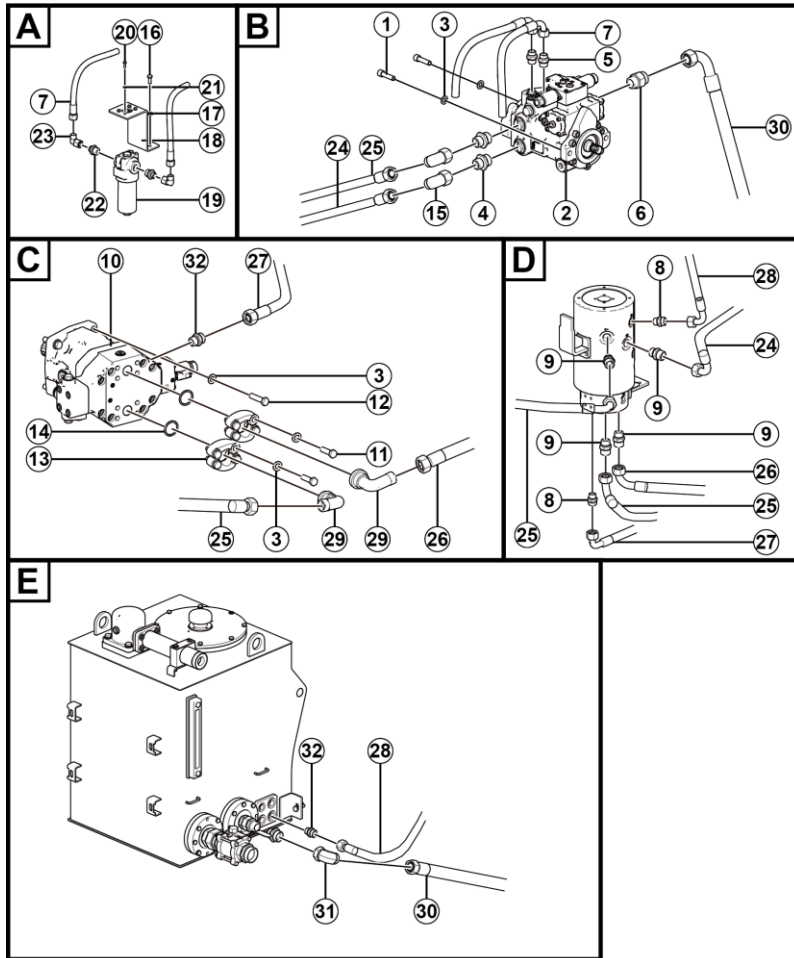
Key	Part No.	Description	Spare parts Y/N	Qty	Remarks
1	4013010413	Nut gb923-m10flznyc-10-480	Y	4	
2	4013010296	Nut gb889.1-m10flznyc-8	Y	4	
3	4015010339	Washer gb97.1-10flznyc-300hv-480	Y	4	
4	25210033691	U-bolt, 35	Y	2	
5	25210072442	Structural part	Y	1	
6	4013010297	Nut gb889.1-m8flznyc-8-480	Y	32	
7	4015010280	Washer gb97.1-8flznyc-480	Y	52	
8	4041010648	Clip	Y	16	
9	4011010711	Bolt gb5783-m8*20flznyc-8.8-480	Y	32	
10	25210072402	Structural part	Y	1	
11	4015010289	Washer gb96.1-8flznyc-480	Y	12	
12	25210072422	Structural part	Y	1	
13	25210072412	Structural part	Y	1	
14	25210072432	Structural part	Y	1	
15	4041002382	Clamp	Y	4	
16	25210072392	Structural part	Y	1	
17	25210072382	Structural part	Y	1	

L
HYDRAULIC SYSTEM



LINGONG HEAVY MACHINERY CO., LTD.

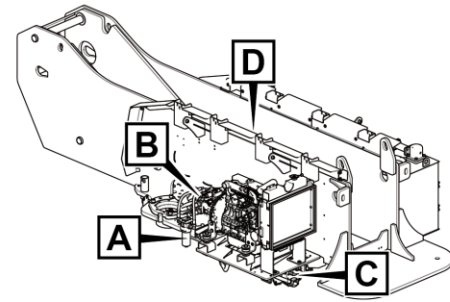
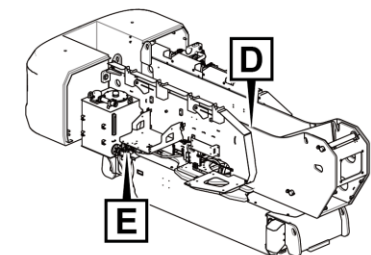
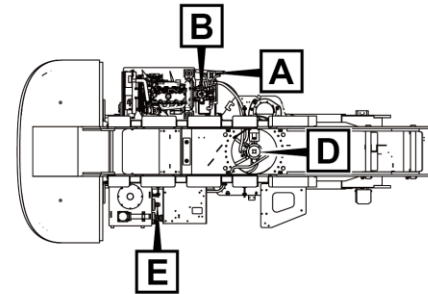
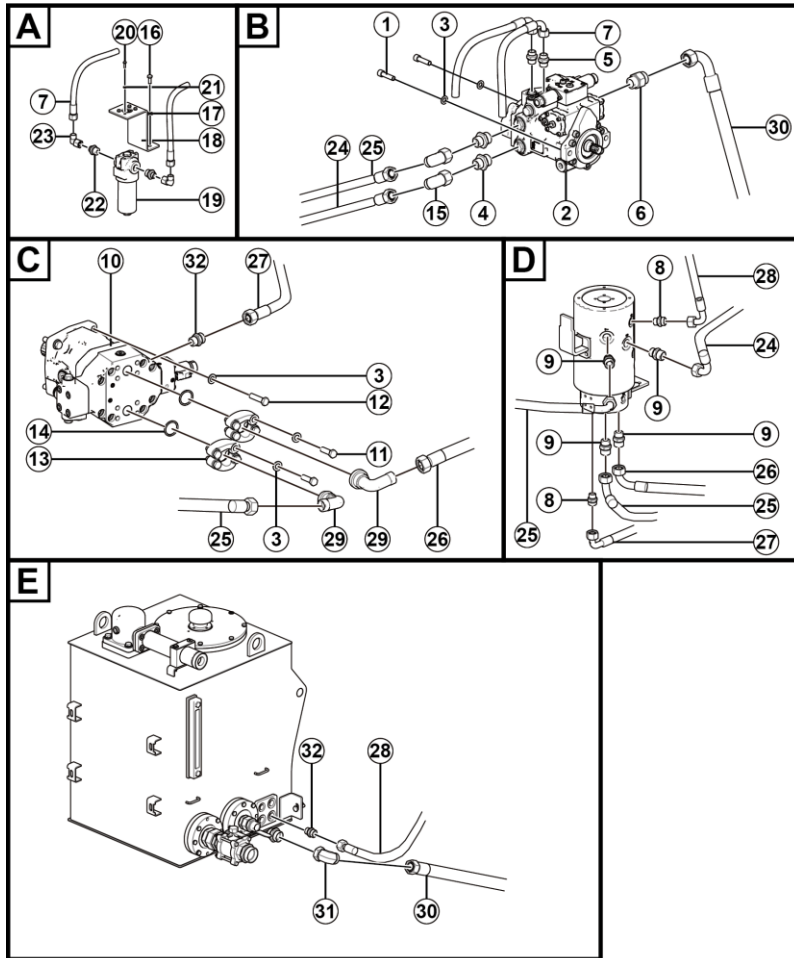
Traveling hyd assy



L0700-2507000993.S1B

Key	Part No.	Description	Spare parts Y/N	Qty	Remarks
1	4014010344	Bolt gb70.1-m12*45flznyc-12.9-480	Y	2	
2	4120709660	Drive pump	Y	1	
3	4015010340	Washer gb97.1-12flznyc-300hv-480	Y	14	
4	4120704956	Fitting, hydraulic ge20s15/16unomdcf	Y	2	
5	4120001160	Fitting ge15l7/8unfomdcf	Y	2	
6	4120709943	Raised fitting ge28l15/16unomdcf-h55	Y	1	
7	4120710662	Hose f481cacf151508-450	Y	2	
8	4120707639	Fitting ge18lredomda3c	Y	2	
9	4120704960	Fitting, hydraulic ge20s15/17unomdcf	Y	4	
10	4120713622	Traveling motor hm6v85ep500snssrm4z9afd-0-lg02	Y	1	
11	4011010882	Bolt	Y	8	
12	4011011410	Bolt gb5783-m12*45flznyc-10.9-480	Y	4	
13	4041002907	Flange	Y	2	
14	4030000026	O-ring gb3452.1-32.5*3.55g	Y	2	
15	4120704957	Right-angle fitting ew20somdcf	Y	2	
16	4011010722	Bolt gb5783-m10*25flznyc-8.8-480	Y	2	
17	4015010339	Washer gb97.1-10flznyc-300hv-480	Y	2	
18	25070010122	Filter mouting plate	Y	1	
19	4120704833	Pipeline filter kgl-0100005l	Y	1	
20	4011010744	Bolt gb5783-m6*20flznyc-8.8-480	Y	4	
21	4015010284	Washer gb97.1-6flznyc-480	Y	4	
22	4120704963	Fitting, hydraulic ge15lr3/4edomdcf	Y	2	

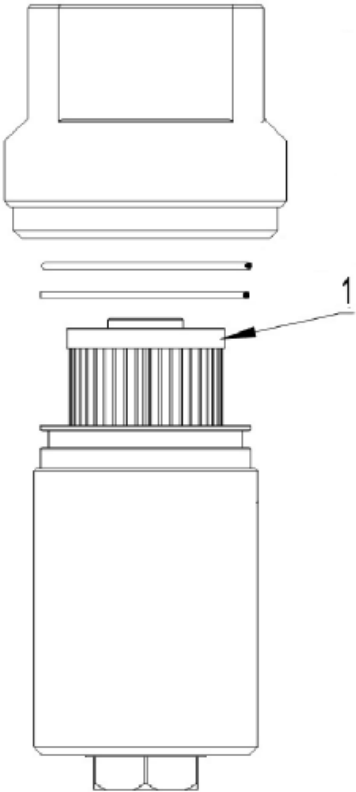
Traveling hyd assy



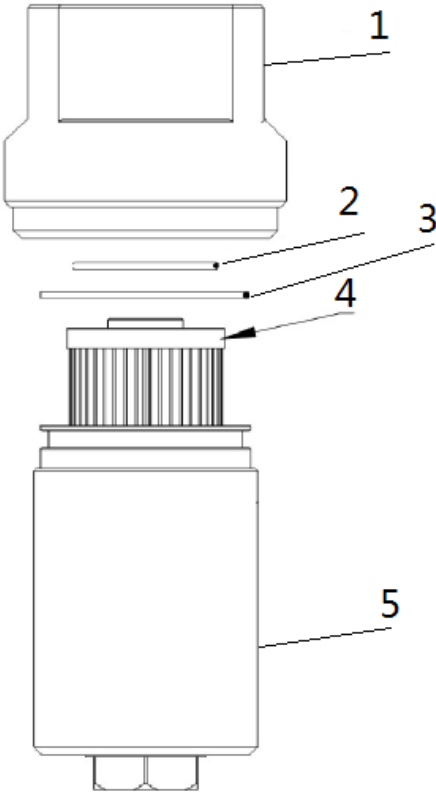
L0700-2507000993.S1B

Key	Part No.	Description	Spare parts Y/N	Qty	Remarks
23	4129900308	Fitting ew15lomda3c	Y	2	
24	4120710366	Pipe	Y	1	
25	4120711518	Hose gh506c91c202012-1240	Y	2	
26	4120712557	Motor hose gh506c91c202012-1350	Y	1	
27	4120711221	Hose assembly	Y	1	
28	4120710209	Pipe	Y	1	
29	4120712521	Flanged 90-degree joint wfs64/20scfx	Y	2	
30	4120712558	Hose osd150cacf282816-2000	Y	1	
31	4120000534	Transition fitting ew28lomda3c	Y	1	
32	4120706945	Joint	Y	2	

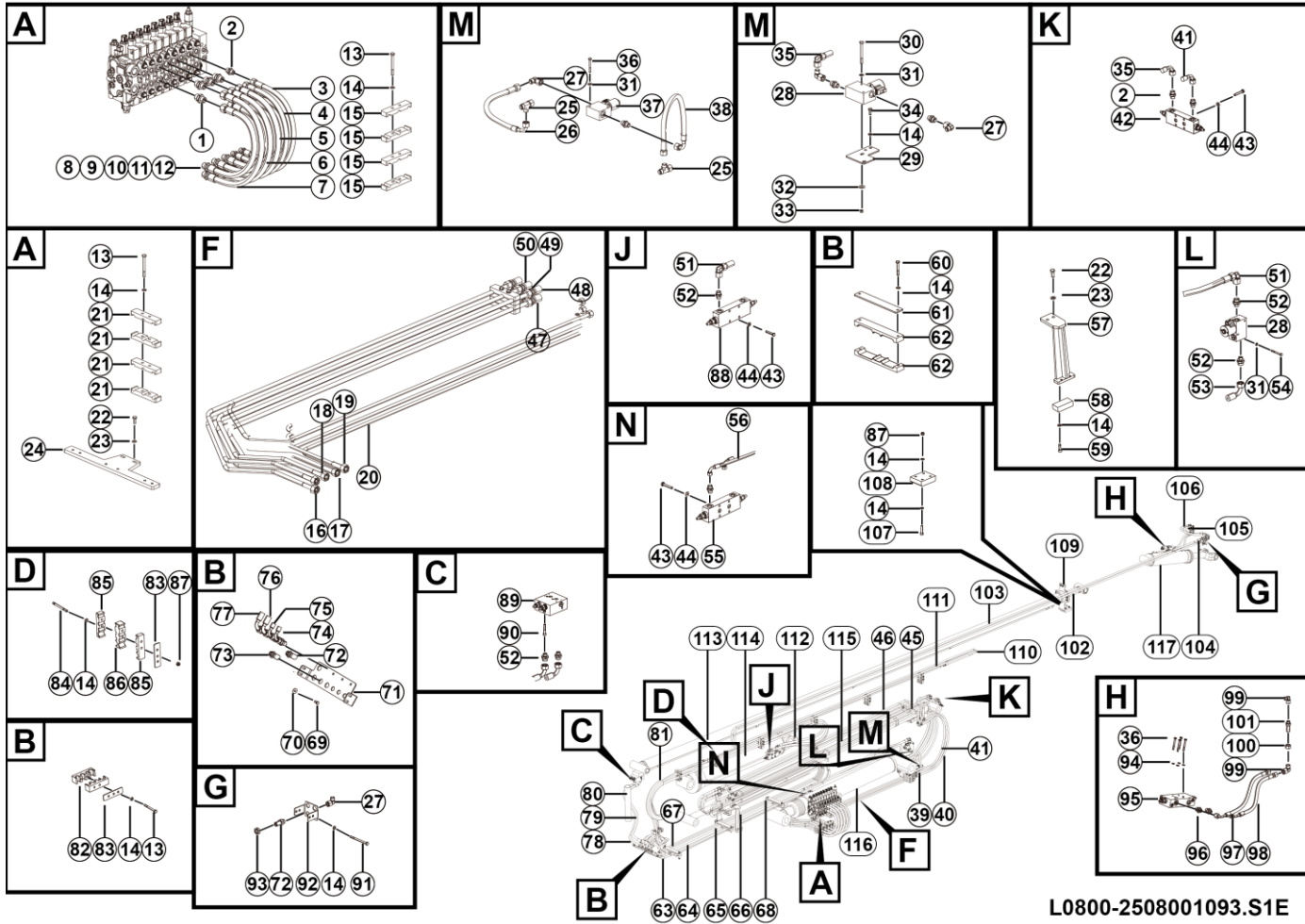
Pipeline filter kgI-0100005I



Pipeline filter kgI-0100005I



Lift hyd assy

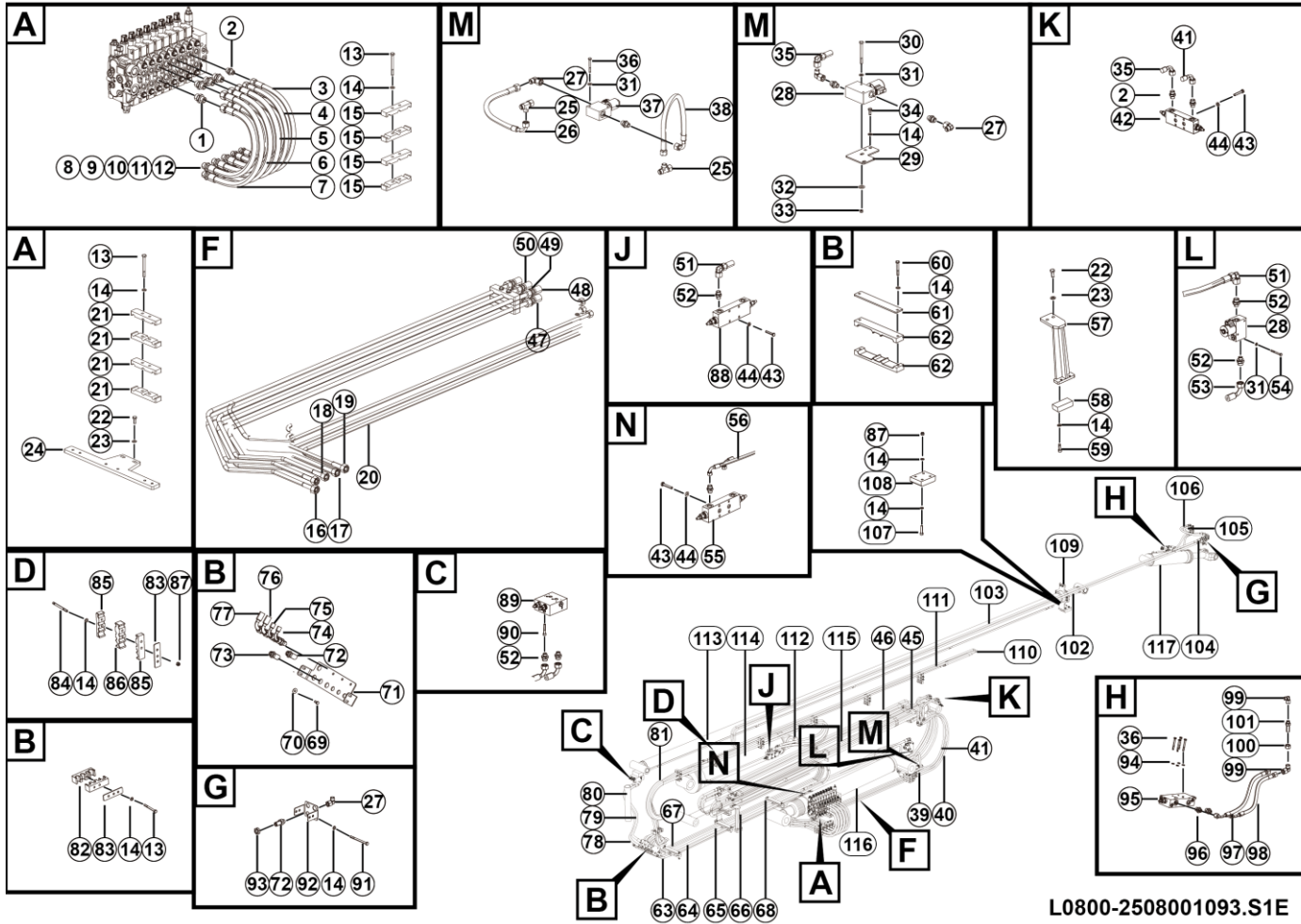


L0800-2508001093.S1E

Key	Part No.	Description	Spare parts Y/N	Qty	Remarks
1	4120002235	Fitting ge15lredomdcf	Y	6	
2	4120001224	Fitting ge12lredomdcf	Y	10	
3	4120710823-001	Hose f471tccad0121206-680	Y	1	
4	4120710823	Hose f471tccad0121206-680	Y	1	
5	4120710821-002	Hose f471tccad0151508-680	Y	1	
6	4120710821-001	Hose f471tccad0151508-680	Y	1	
7	4120710821	Hose f471tccad0151508-680	Y	1	
8	4120710822	Hose f471tccad0151508-550	Y	1	
9	4120710822-001	Hose f471tccad0151508-550	Y	1	
10	4120710822-002	Hose f471tccad0151508-550	Y	1	
11	4120710824	Hose f471tccad0121206-550	Y	1	
12	4120710824-001	Hose f471tccad0121206-550	Y	1	
13	4011011039	Bolt gb5782-m8*80flznyc-8.8-480	Y	16	
14	4015010280	Washer gb97.1-8flznyc-480	Y	66	
15	25080011441	Pipe clamp	Y	12	
16	25080014191	Sec boom lift pipe	Y	2	
17	25080014211	Telescopic booms lift pipe	Y	2	
18	25080014201	Telescopic booms extension pipe	Y	2	
19	25080011261	Sec boom extension pipe	Y	2	
20	25080011271	Upr leveling pipe	Y	2	
21	25080011431	Pipe clamp	Y	12	
22	4011010722	Bolt gb5783-m10*25flznyc-8.8-480	Y	7	

Key	Part No.	Description	Spare parts Y/N	Qty	Remarks
23	4015010339	Washer gb97.1-10flznyc-300hv-480	Y	7	
24	25080011651	Pipe clamp mounting plate 450*120*12	Y	1	
25	4120000619	Tee fitting el12lomda3c	Y	2	
26	4120709873-002	Hose f471tccacf121206-400	Y	1	
27	4129900314	Fitting ew12lomda3c	Y	6	
28	4120712560	Solenoid manifold rtvb0246a	Y	2	
29	25080011661	Solenoid manifold mounting plate	Y	1	
30	4011010999	Bolt gb5782-m6*60flznyc-8.8-480	Y	2	
31	4015010284	Washer gb97.1-6flznyc-480	Y	6	
32	4015010296	Washer gb96.1-6flznyc-480	Y	2	
33	4013010300	Nut gb889.1-m6flznyc-8-480	Y	2	
34	4011010711	Bolt gb5783-m8*20flznyc-8.8-480	Y	8	
35	4120711380-001	Hose f471tccacf121206-1450	Y	1	
36	4011011508	Bolt gb5782-m6*50flznyc-10.9-480	Y	6	
37	4120712018	Solenoid manifold st6337-ab00	Y	1	
38	4120710484-004	Hose f471tccacf121206-480	Y	1	
39	4120710825-001	Hose f471tcd0cf121206-1300	Y	1	
40	4120710825	Hose f471tcd0cf121206-1300	Y	1	
41	4120710761-001	Hose f471tcd0cf121206-1450	Y	1	
42	4120710616	Sec boom ext balancing manif st8341-a000	Y	1	
43	4011010948	Bolt gb5783-m8*45flznyc-10.9-480	Y	12	
44	25080002882	M8 hard gasket,16*8.5*3	Y	12	

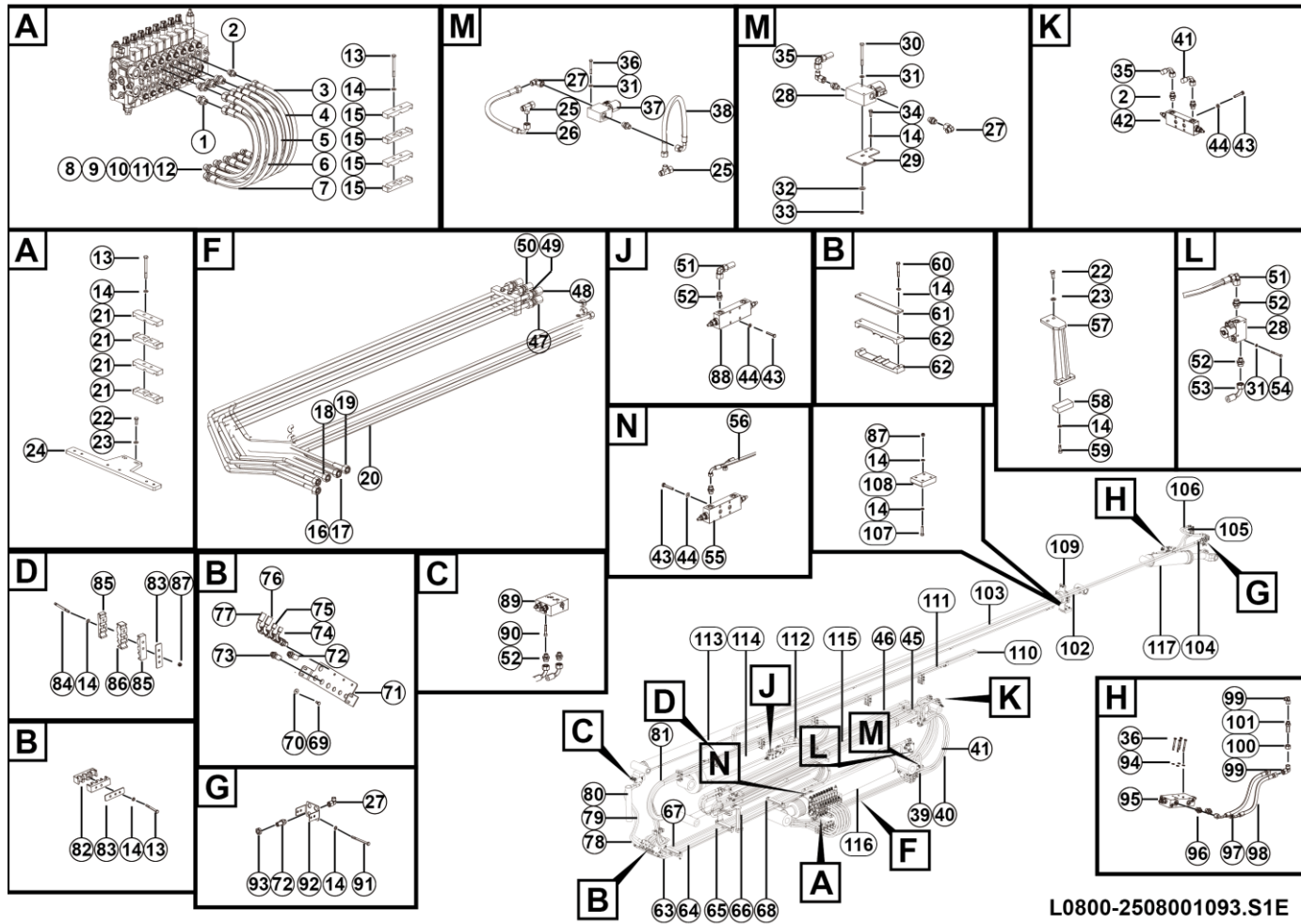
Lift hyd assy



Key	Part No.	Description	Spare parts Y/N	Qty	Remarks
45	25080011371	Sec boom lh pipe assy	Y	1	
46	25080011381	Sec boom rh pipe assy	Y	1	
47	4120710760-002	Hose f471tcd0cf151508-1300	Y	1	
48	4120710760-001	Hose f471tcd0cf151508-1300	Y	1	
49	4120710760-004	Hose f471tcd0cf151508-1300	Y	1	
50	4120710760-003	Hose f471tcd0cf151508-1300	Y	1	
51	4129900308	Fitting ew15lomda3c	Y	3	
52	4120706923	Joint	Y	8	
53	4120713407	Hose f471tcd0cf151508-395	Y	1	
54	4011010920	Bolt gb5782-m6*55flznyc-8.8-480	Y	2	
55	4120711765	Lift balancing manifold rtvb0253	Y	1	
56	4120710829	Hose f471tcd0cf151508-1900	Y	1	
57	25080011591	Hyd cylinder support	Y	2	
58	25080011641	Hyd cylinder slider 75*35*22	Y	2	
59	4011010908	Screw gb70.1-m8*25flznyc-8.8-480	Y	4	
60	4011010919	Bolt gb5782-m8*55flznyc-8.8-480	Y	6	
61	25080011461	Hose clamp cover plate 235*40*5	Y	4	
62	25080011452	Cable track hose clamp	Y	8	
63	4120711287	Hose f471tccaca121206-4800	Y	1	
64	4120711287-001	Hose f471tccaca121206-4800	Y	1	
65	4120711288	Hose f471tccaca151508-4800	Y	1	
66	4120711288-001	Hose f471tccaca151508-4800	Y	1	

Key	Part No.	Description	Spare parts Y/N	Qty	Remarks
67	4120711288-002	Hose f471tccaca151508-4800	Y	1	
68	4120711288-003	Hose f471tccaca151508-4800	Y	1	
69	4011010970	Bolt gb5783-m8*16flznyc-8.8-480	Y	4	
70	4015010289	Washer gb96.1-8flznyc-480	Y	10	
71	25080013951	Pipe mounting plate	Y	1	
72	25080010121	Straight spacer fitting	Y	4	
73	4120000618	Joint	Y	4	
74	4120710833	Hose f471tcd0cf121206-2250	Y	1	
75	4120710833-001	Hose f471tcd0cf121206-2250	Y	1	
76	4120710844	Hose f471tccacf151508-5000	Y	1	
77	4120710844-001	Hose f471tccacf151508-5000	Y	1	
78	4120708203-001	Hose f471tccacf151508-1200	Y	1	
79	4120708203-002	Hose f471tccacf151508-1200	Y	1	
80	25120003021	Canvas 200*800	Y	1	
81	25070005871	Canvas 250*1000	Y	1	
82	25080011501	Pipe clamp	Y	4	
83	25080011491	Hose clamp cover plate 110*30*3	Y	7	
84	4012010206	Stud gb899-am8*85flznyc-8.8-480	Y	12	
85	25080011511	Pipe clamp	Y	10	
86	25080011521	Pipe clamp	Y	5	
87	4013010297	Nut gb889.1-m8flznyc-8-480	Y	26	
88	4120712489	Lift balancing manifold rtvb0275	Y	1	

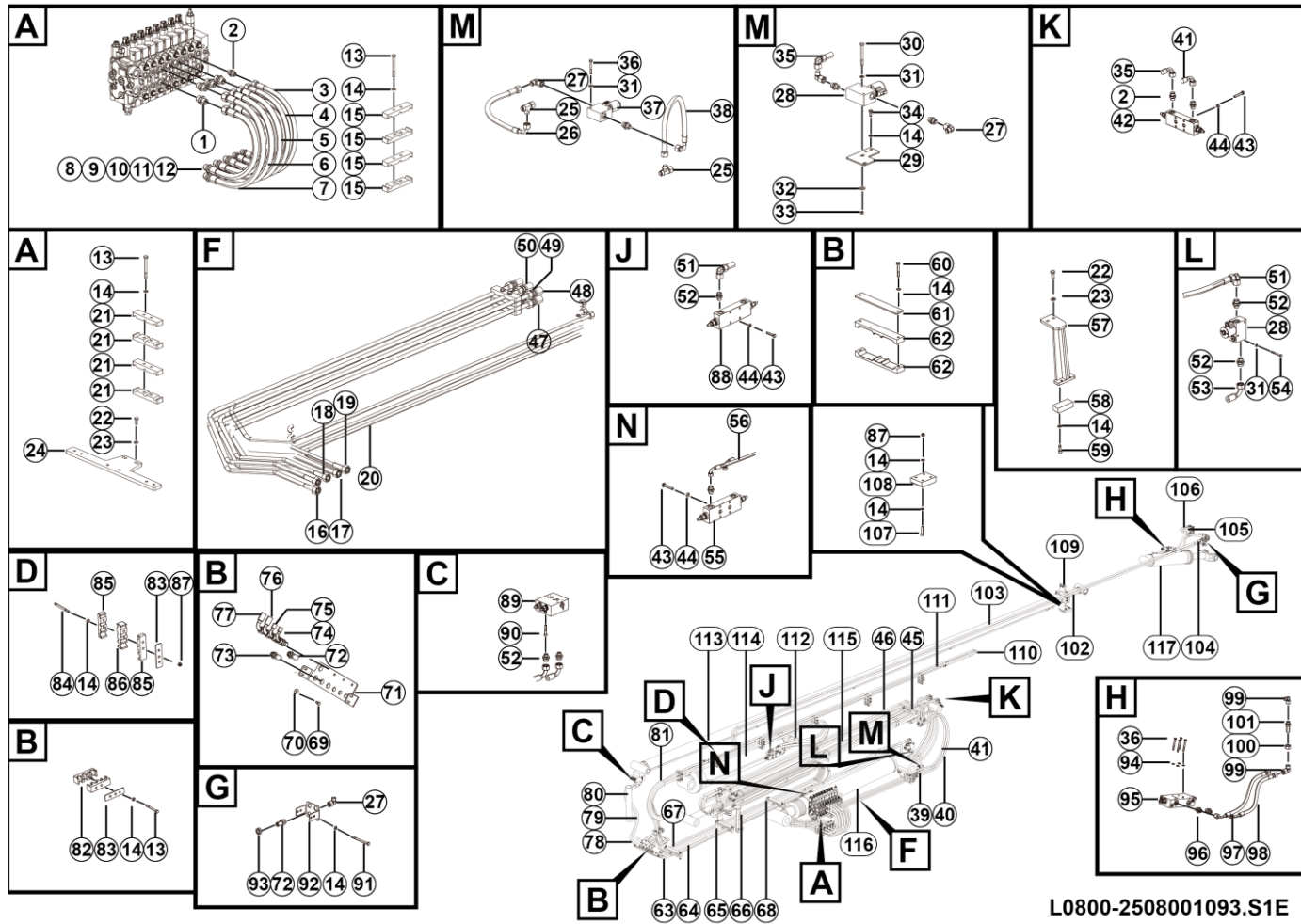
Lift hyd assy



L0800-2508001093.S1E

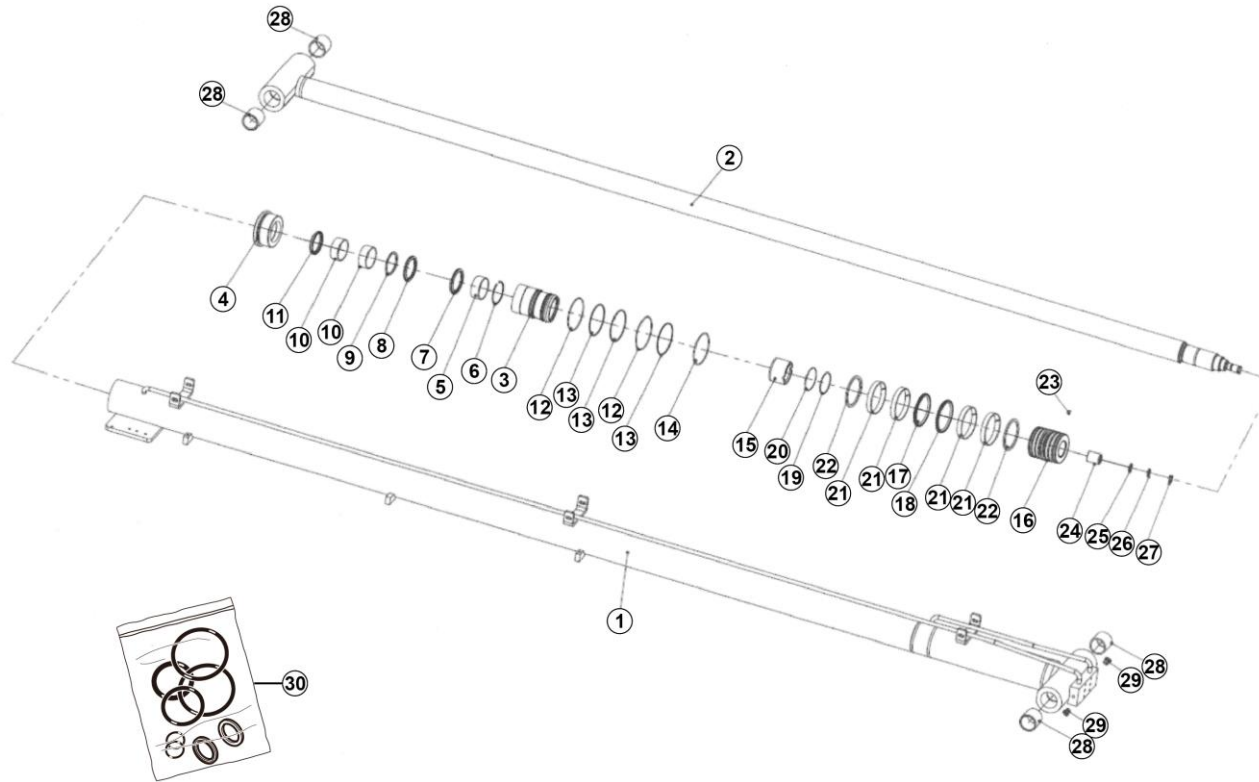
Key	Part No.	Description	Spare parts Y/N	Qty	Remarks
89	4120711673	Extension balancing manifold st5465-a00d	Y	1	
90	4014010345	Bolt gb70.1-m8*45flznyc-10.9-480	Y	4	
91	4011011002	Bolt gb5782-m8*100flznyc-8.8-480	Y	2	
92	25080011551	Bulkhead joint mounting plate	Y	1	
93	4013010536	Nut gb6173-m18*1.5flznyc-05-480	Y	4	
94	25110000571	M6 hard gasket, 12*6.5*2	Y	4	
95	4120712559	Balancing valve st8234-a00d	Y	1	
96	4120001391	Jiont	Y	2	
97	4120705139-018	Hose f471tccacf080804-440	Y	1	
98	4120712544	Hose f471tccacf080804-350	Y	1	
99	4190000698	Fitting ew08lomda3c	Y	4	
100	4013010535	Nut gb6171-m14*1.5flznyc-8-480	Y	2	
101	25080010131	Straight spacer fitting	Y	2	
102	4120708845-004	Hose f471tccacf151508-1650	Y	1	
103	4120713382	Hose f471tccad0121206-11350 (d0-as4400)	Y	1	
104	4120713382-001	Hose f471tccad0121206-11350 (d0-as4400)	Y	1	
105	4120710840	Hose f471tccacf081206-450	Y	1	
106	4120710841	Hose f471tccacf081206-550	Y	1	
107	4014010585	Screw gb70.1-m8*35flznyc-8.8-480	Y	10	
108	25080011691	Slider 90*70*24	Y	1	
109	25080011681	Guide slider	Y	3	
110	25080009741	Pipe	Y	1	

Lift hyd assy



L0800-2508001093.S1E

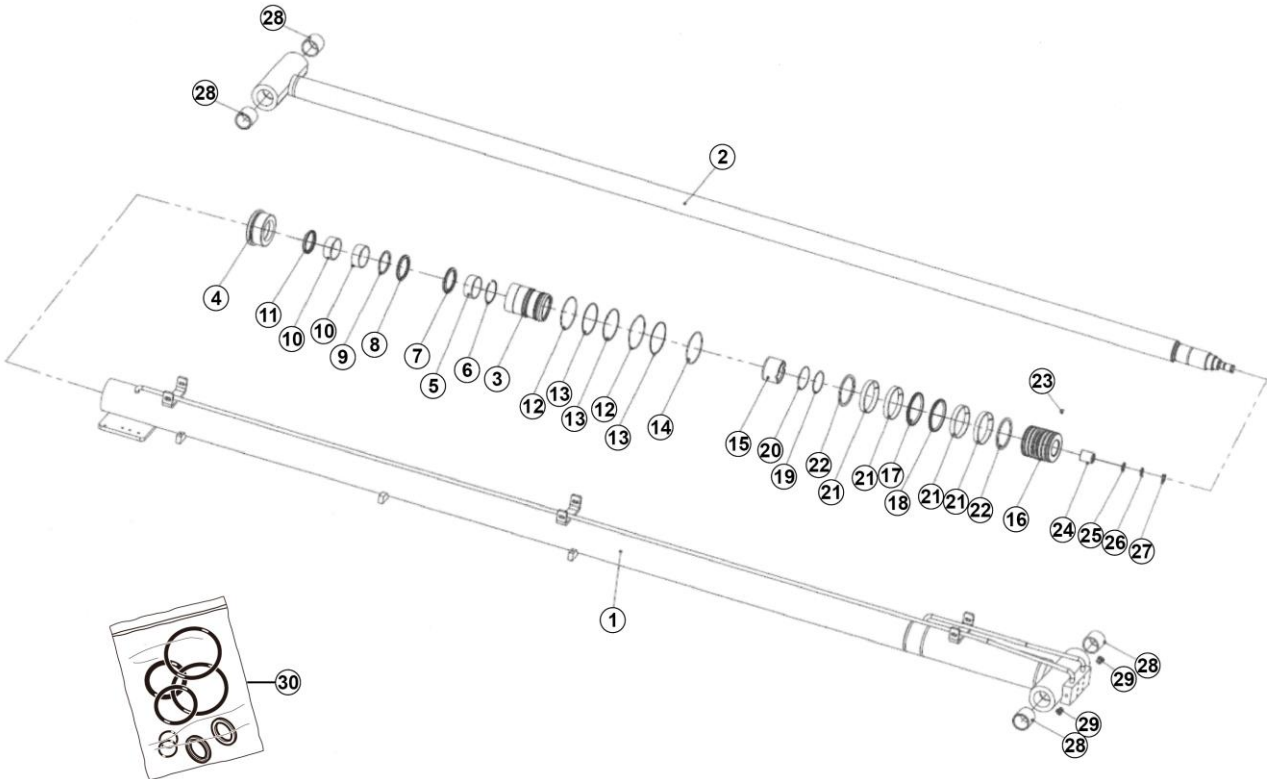
Sec boom ext hyd cyl 85*65*2382*3622 (10570)



L0800-4120713071

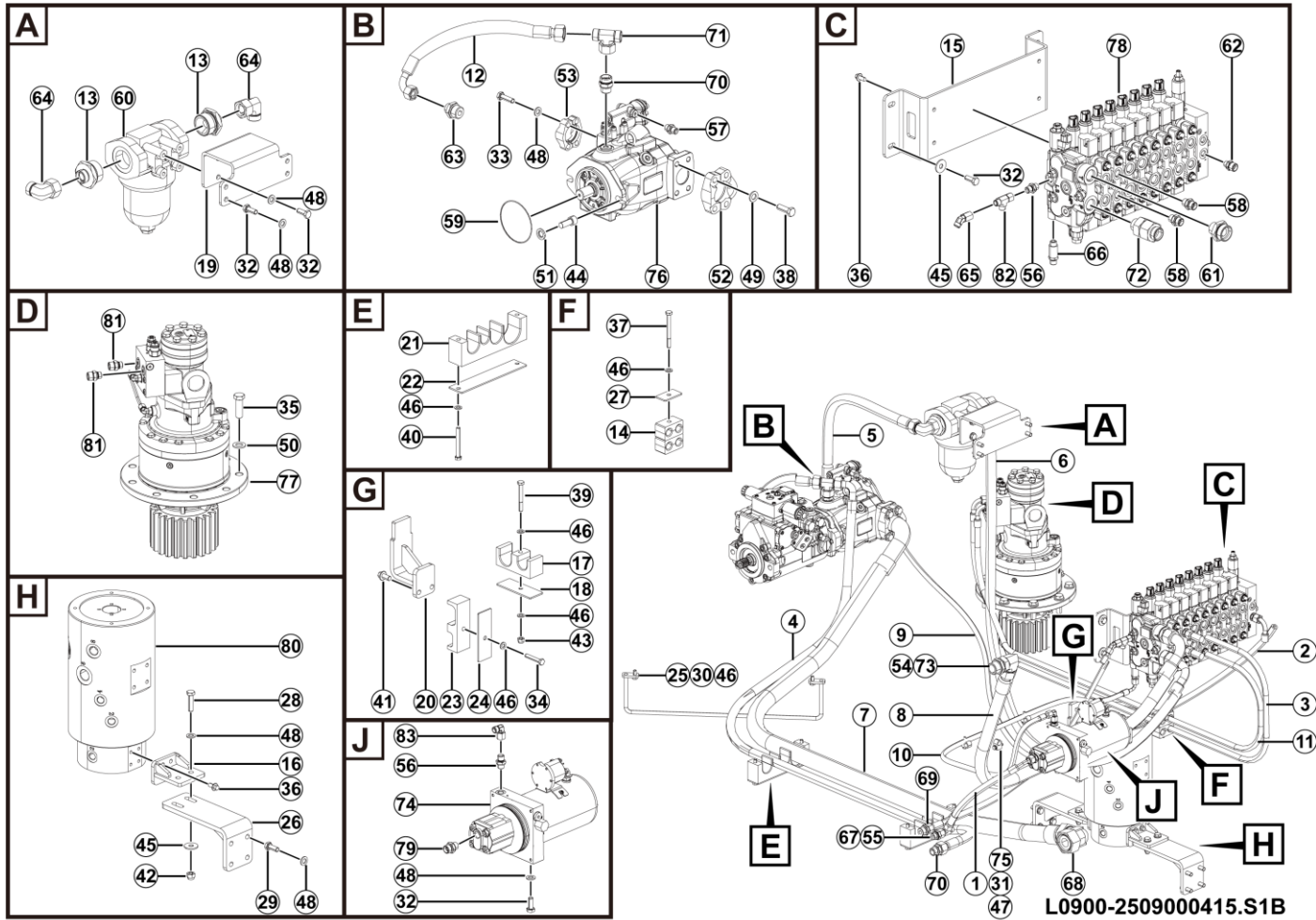
Key	Part No.	Description	Spare parts Y/N	Qty	Remarks
1	4120713071001	Barrel assy 24a332759 (d85*3149l) ?	N	1	
2	4120713071002	Piston rod assy 24a311965 (r42.5*d65*252w*3158l) ?	N	1	
3	4120713071003	Head 24a370203 (d85*d65*122l) ?	N	1	
4	4120713071004	Gland 24a370123 (d85*d65*48l) ?	N	1	
5	4120713071005	Bushing 24s165301 (6530) ?	N	1	
6	4120713071006	Snap ring 24c001270 (d74.6*2t) ?	N	1	
7	4120713071007	Buffer seal 24h006504 (65*80.5*6.3) ?	N	1	
8	4120713071008	Piston rod seal 24f206503 (65*75*6) ?	N	1	
9	4120713071009	U-ring backup ring 24e00651c (65*75*3) ?	N	1	
10	4120713071010	Support ring 24g30651c (65*70*9.7) ?	N	2	
11	4120713071011	Dust seal 24d506502 (65*73*5/6.5) ?	N	1	
12	4120707923021	O-ring	Y	2	
13	4120713071012	O-ring backup ring 24m30860g (81*86*1.25) ?	N	3	
14	4120713071013	O-ring 24k308501 (85*2.65) ?	N	1	
15	4120713071014	Buffer sleeve 24a051800 (d71*d56*50l) ?	N	1	
16	4120713071015	Piston 24a380106 (d85*112l) ?	N	1	
17	4120713071016	Piston seal 24p308503 (85*70*11) ?	N	1	
18	4120713071017	Piston seal 24p008500 (85*69.9*6.3) ?	N	1	
19	4120703499009	O-ring 24k10550a	N	1	
20	4120708721004	O-ring backup ring 24m30610c (56*61*1.25)	N	1	
21	4120713071018	Support ring 24g20851c (85*80*9.7) ?	N	4	
22	4120713071019	Wiper seal 24n008514 (85*77*4) ?	N	2	

Sec boom ext hyd cyl 85*65*2382*3622 (10570)



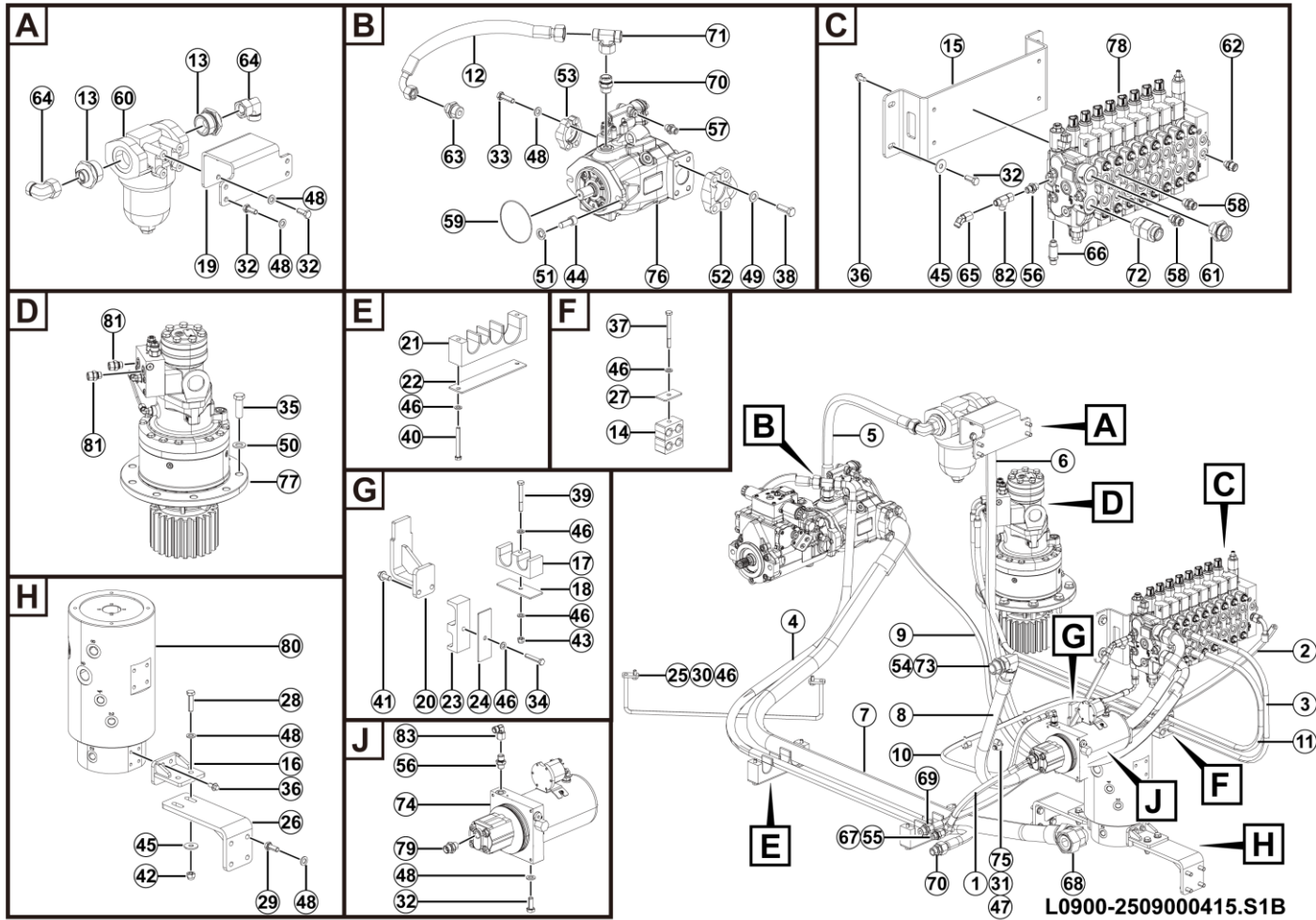
L0800-4120713071

Turntable hyd assy



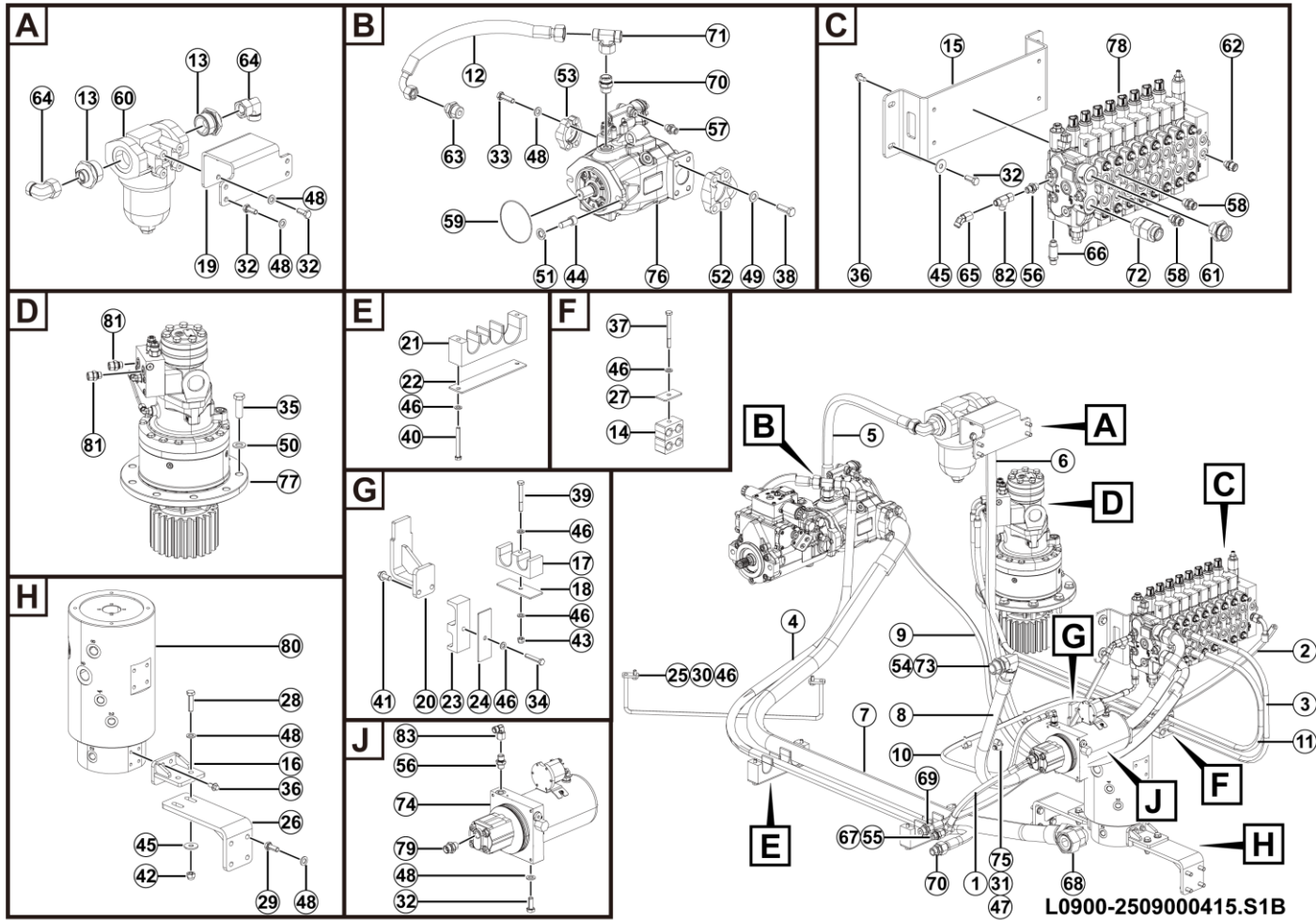
Key	Part No.	Description	Spare parts Y/N	Qty	Remarks
1	4120710940	Hose f481cace121206-400	Y	1	
2	4120709874	Hose f481cacf121206-1750	Y	1	
3	4120708160	Hose f481cacf121206-2000	Y	1	
4	4120712541	Hose f481cacf181810-2250	Y	1	
5	4120712543	Hose fgh493ca19221612-630 (w/ o-ring)	Y	1	
6	4120712542	Hose fgh493cacf222212-2000	Y	1	
7	4120710334	Hose fosd150ca19422424-2200 (w/ o-ring)	Y	1	
8	4120710398	Pipe	Y	1	
9	4120708865	Pipe	Y	1	
10	4120705640	Pipe f402cacf080804-1350	Y	1	
11	4120707596	Hose f481cacf121206-1800	Y	1	
12	4120708381	Pipe	Y	1	
13	25090002081	Reducer union	Y	2	
14	25090003501	Hose clamp	Y	4	
15	25090003511	Valve mounting plate	Y	1	
16	25090003671	Plate	Y	2	
17	25090003761	Clamp	Y	1	
18	25090003771	Plate	Y	1	
19	25090004301	Filter mounting plate	Y	1	
20	25090004321	Rotary coupling mounting plate wldmt	Y	1	
21	25090004351	Hose clamp 161*56*40	Y	2	
22	25090004361	Cover plate 161*40*3	Y	2	

Turntable hyd assy



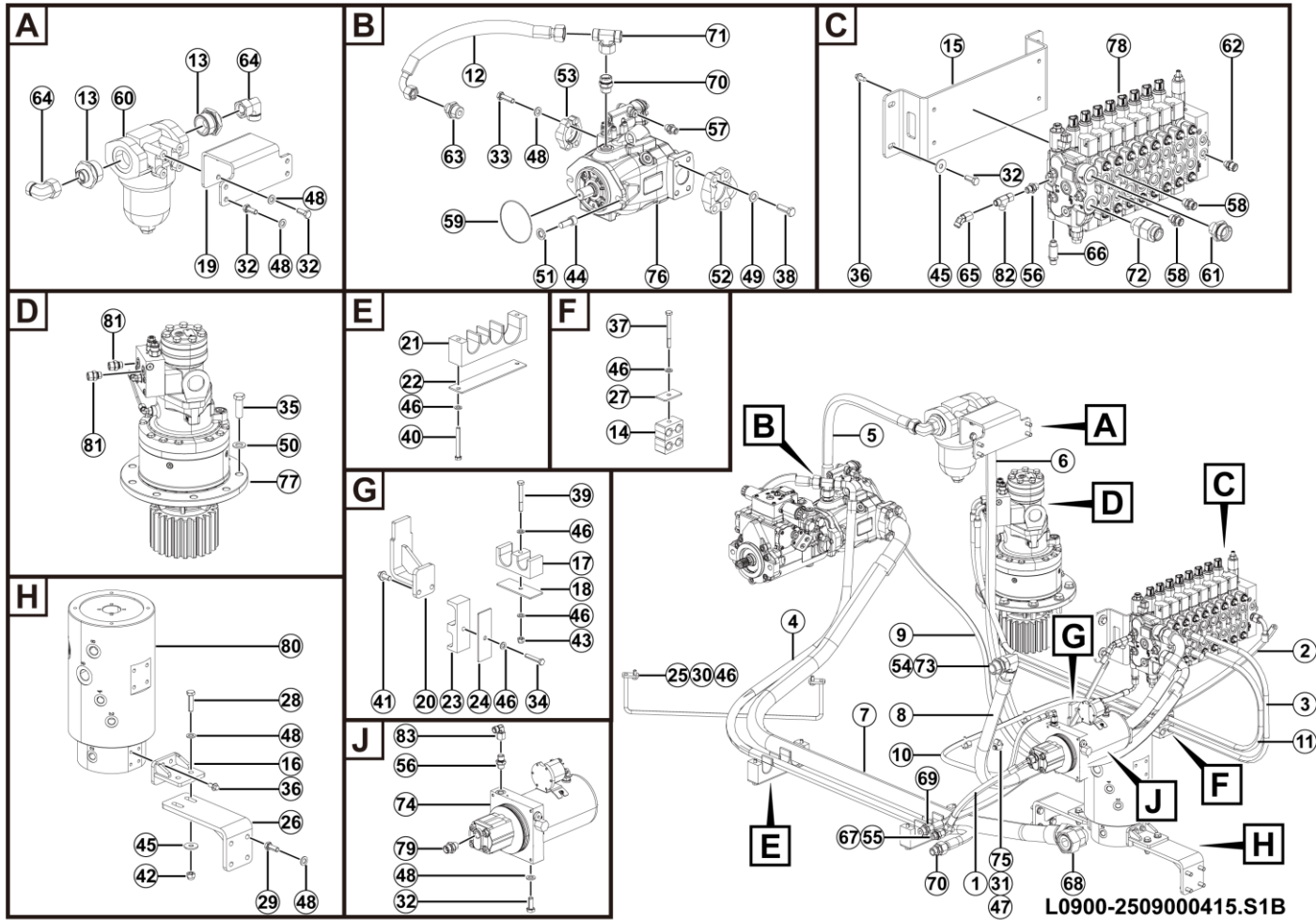
Key	Part No.	Description	Spare parts Y/N	Qty	Remarks
23	25090004372	Hose clamp 117*40*30	Y	1	
24	25090004382	Cover plate 117*40*3	Y	1	
25	25090004401	Round steel wldmt	Y	1	
26	25090004441	Rotary coupling bracket	Y	2	
27	27410100861	Cover plate, 53*30*3	Y	1	
28	4011010706	Bolt gb5783-m10*40flznyc-8.8-480	Y	4	
29	4011010707	Bolt gb5783-m10*30flznyc-8.8-480	Y	8	
30	4011010711	Bolt gb5783-m8*20flznyc-8.8-480	Y	2	
31	4011010717	Bolt gb5783-m6*30flznyc-8.8-480	Y	3	
32	4011010722	Bolt gb5783-m10*25flznyc-8.8-480	Y	14	
33	4011010727	Bolt gb5783-m10*35flznyc-8.8-480	Y	4	
34	4011010753	Bolt gb5783-m8*45flznyc-8.8-480	Y	1	
35	4011010962	Bolt gb5783-m14*45flznyc-10.9-480	Y	9	
36	4011010964	Bolt gb16674-m8*16flznyc-8.8-480	Y	11	
37	4011011039	Bolt gb5782-m8*80flznyc-8.8-480	Y	1	
38	4011011125	Bolt gb5783-m12*35flznyc-8.8-480	Y	4	
39	4011011175	Bolt gb5782-m8*65flznyc-8.8-480	Y	1	
40	4011011466	Bolt gb5782-m8*70flznyc-8.8-480	Y	4	
41	4011011580	Bolt gb16674.1-m10*20flznyc-10.9-480	Y	2	
42	4013010296	Nut gb889.1-m10flznyc-8	Y	4	
43	4013010297	Nut gb889.1-m8flznyc-8-480	Y	1	
44	4014010064	Screw1/2-13unc-2a*30-10.9	Y	2	

Turntable hyd assy



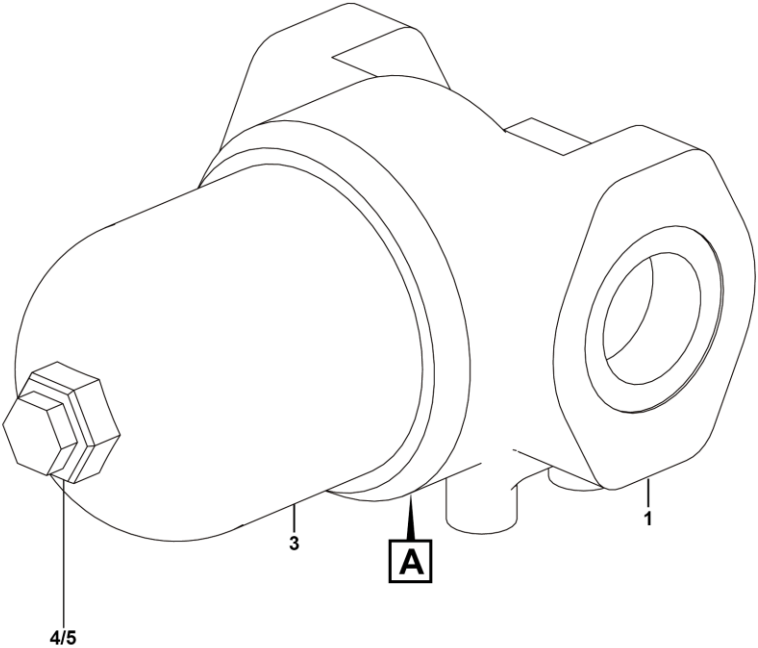
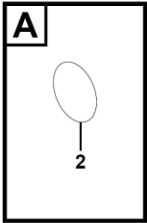
Key	Part No.	Description	Spare parts Y/N	Qty	Remarks
45	4015010278	Washer gb96.1-10flznyc-480	Y	8	
46	4015010280	Washer gb97.1-8flznyc-480	Y	10	
47	4015010284	Washer gb97.1-6flznyc-480	Y	3	
48	4015010339	Washer gb97.1-10flznyc-300hv-480	Y	26	
49	4015010340	Washer gb97.1-12flznyc-300hv-480	Y	4	
50	4015010341	Washer gb97.1-14flznyc-300hv-480	Y	9	
51	4015010377	Washer gb1230-12flznyc-45-480	Y	2	
52	4041000010	Flange lgb117-314651	Y	1	
53	4041000026	Flange lgb117-310491	Y	1	
54	4120000534	Transition fitting ew28lomda3c	Y	1	
55	4120000619	Tee fitting el12lomda3c	Y	1	
56	4120001170	Fitting ge08lredomdcf	Y	2	
57	4120001177	Fitting ge08l7/16unfomdcf	Y	1	
58	4120001224	Fitting ge12lredomdcf	Y	2	
59	4120001880	O-ring 94.97*1.75	Y	1	
60	4120703941	Filter plfa-h160*5	Y	1	
61	4120704907	Fitting ge28lr3/4edomdcf	Y	1	
62	4120704913	Fitting ge12lr1/4edomdcf	Y	1	
63	4120704959	Fitting, hydraulic ge15l11-16unomdcf	Y	1	
64	4120705621	Joint ew22lomdcf	Y	2	
65	4120706262	Joint	Y	1	
66	4120706852	Joint ge08lredomdcf-h55	Y	1	

Turntable hyd assy



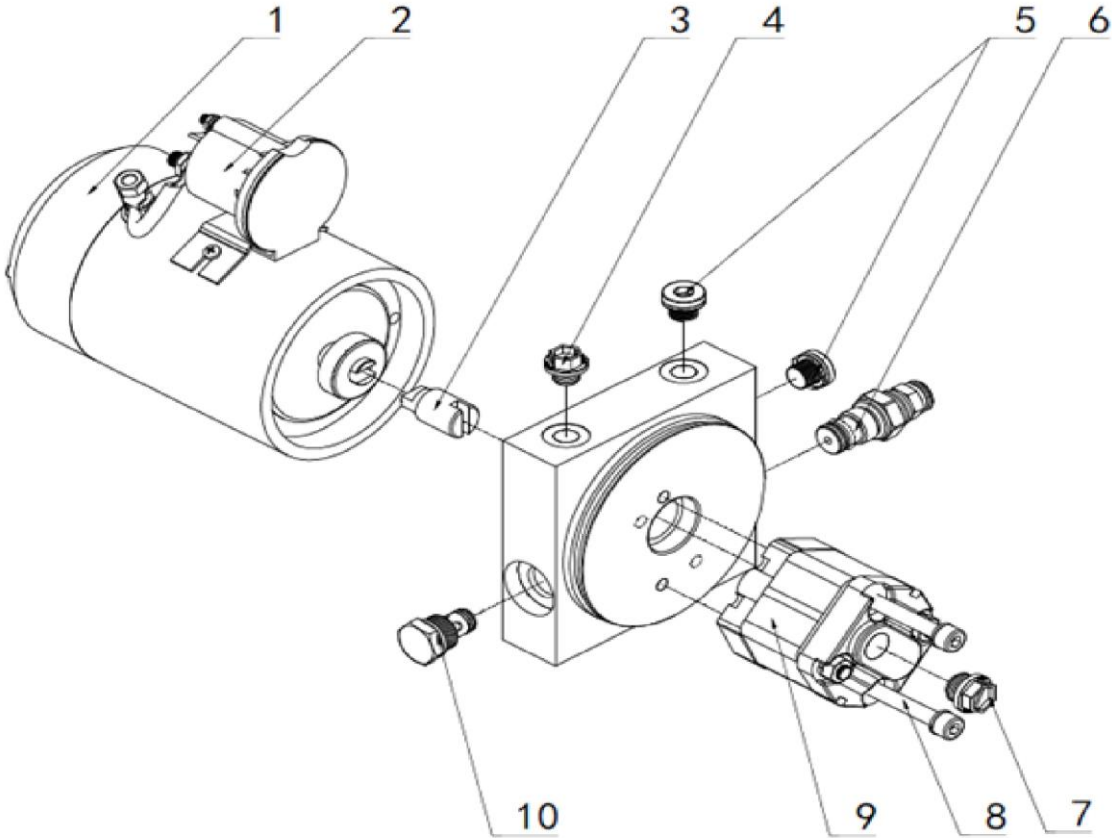
Key	Part No.	Description	Spare parts Y/N	Qty	Remarks
67	4120706885	Joint	Y	1	
68	4120706894	Joint	Y	1	
69	4120706930	Joint	Y	1	
70	4120706945	Joint	Y	2	
71	4120707096	Three-way nipple	Y	1	
72	4120708355	Valve	Y	1	
73	4120708936	Joint	Y	1	
74	4120709047	Auxiliary hydraulic power	Y	1	
75	4120709705	Pipe clamp	Y	3	
76	4120710130	Pump hp5v45-av1orb2s1mm-l1-tt404	Y	1	
77	4120710437	Rotate drive hub fsa80-17a36	Y	1	
78	4120710676	Main valve mx10-h1	Y	1	
79	4120711012	Gljt	Y	1	
80	4120712531	Rotary coupling zh0841b000-0000	Y	1	
81	4190000147	Fitting ge12l9/16unf0mda3c	Y	2	
82	4190000208	Tee fitting el08lomda3c	Y	1	
83	4190000698	Fitting ew08lomda3c	Y	1	

Filter



L2700-4120703941

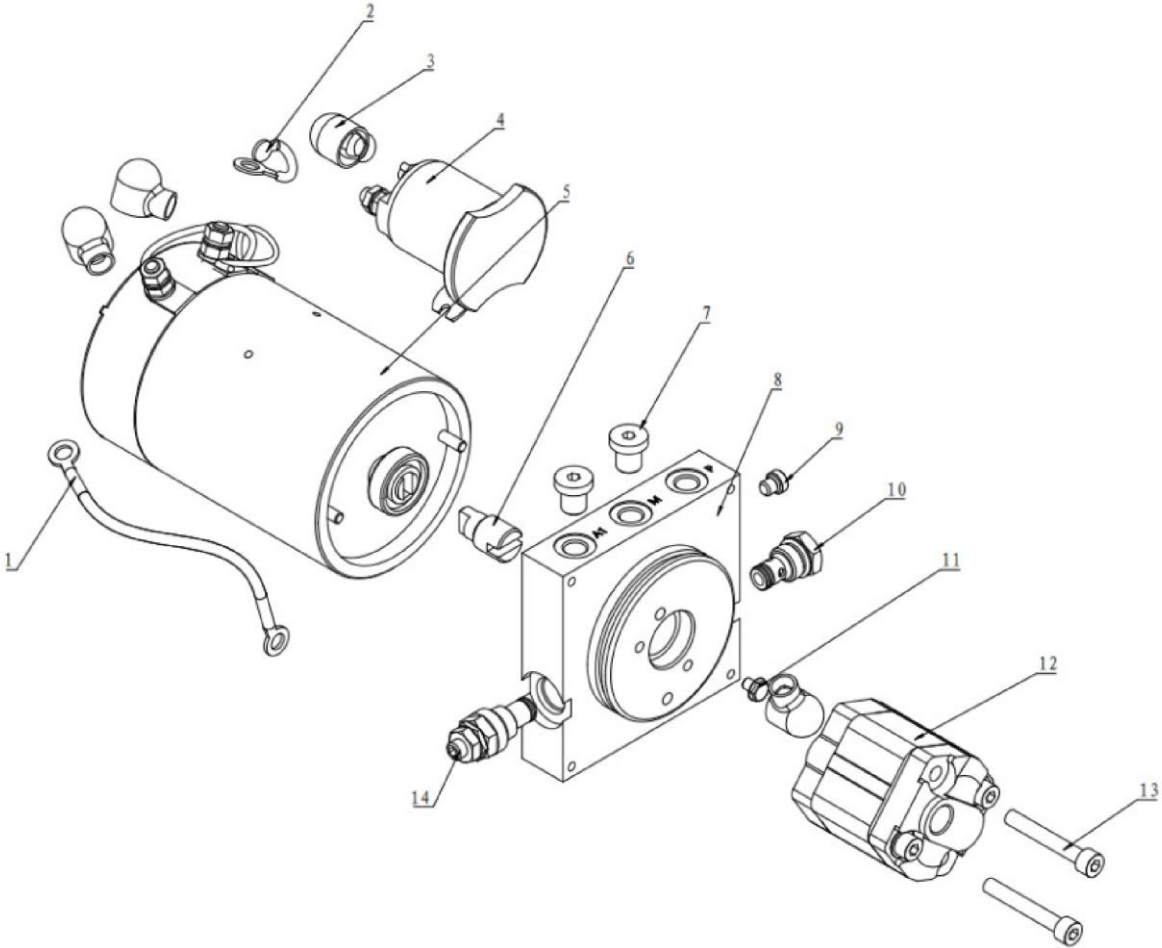
Auxiliary hydraulic power



Key	Part No.	Description	Spare parts Y/N	Qty	Remarks
1	4120709047011	Electric machinery	Y	1	
2	4120709047002	Start switch	Y	1	
3	4120709047003	Coupling	Y	1	
4	4120709047004	Plug	Y	1	
5	4120709047005	Plug	Y	1	
6	4120709047006	Overflow valve	Y	1	
7	4120709047007	Plug	Y	1	
8	4120709047008	Screw	Y	1	
9	4120709047009	Pump	Y	1	
10	4120709047010	Check valve	Y	1	

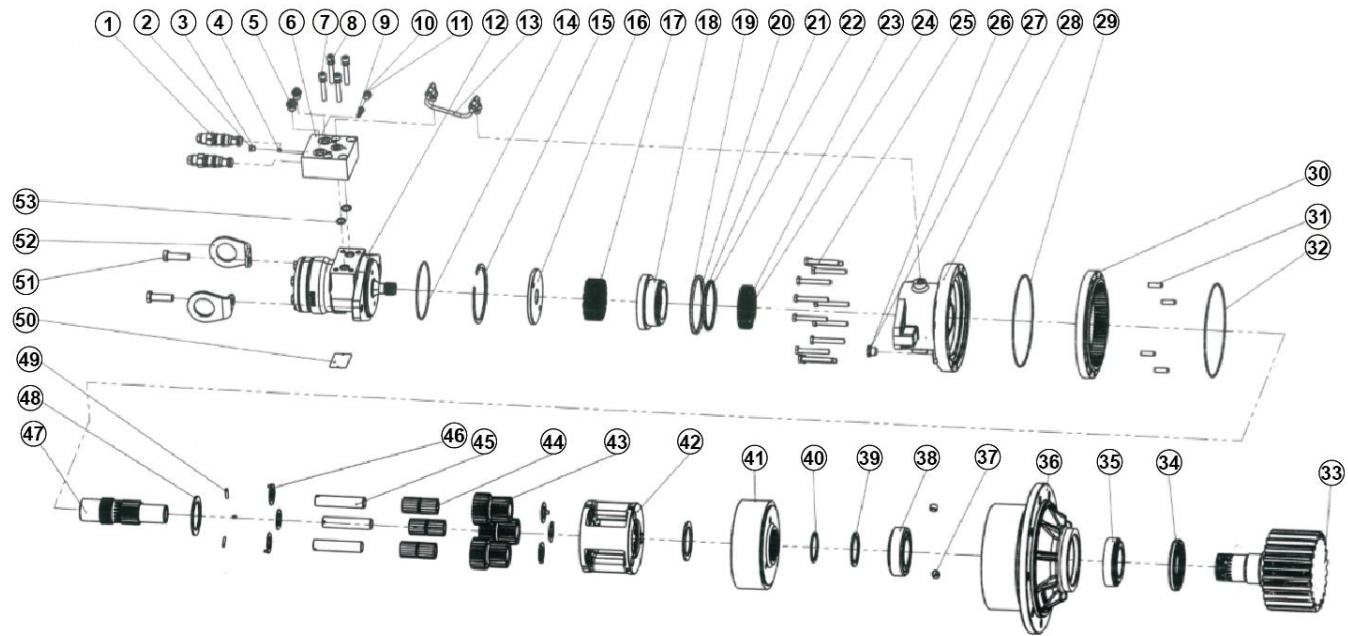


Auxiliary hydraulic power



Key	Part No.	Description	Spare parts Y/N	Qty	Remarks
1	4120709047101	Wire	Y	1	
2	4120706861002	Wire	N	1	
3	4120709047102	Protective sleeve	N	1	
4	4120709047103	Start switch	Y	1	
5	4120709047104	Electric machinery	Y	1	
6	4120703067008	Coupling pr40600006	Y	1	
7	4120706861005	Plug	N	1	
8	4120709047109	Valve	N	1	
9	4120709047105	Plate	N	1	
10	4120703067011	Valve	Y	1	
11	4120709047106	Bolt	N	1	
12	4120709047107	Pump	Y	1	
13	4120706861009	Plain washer	N	1	
14	4120709047108	Direct relief valve	Y	1	

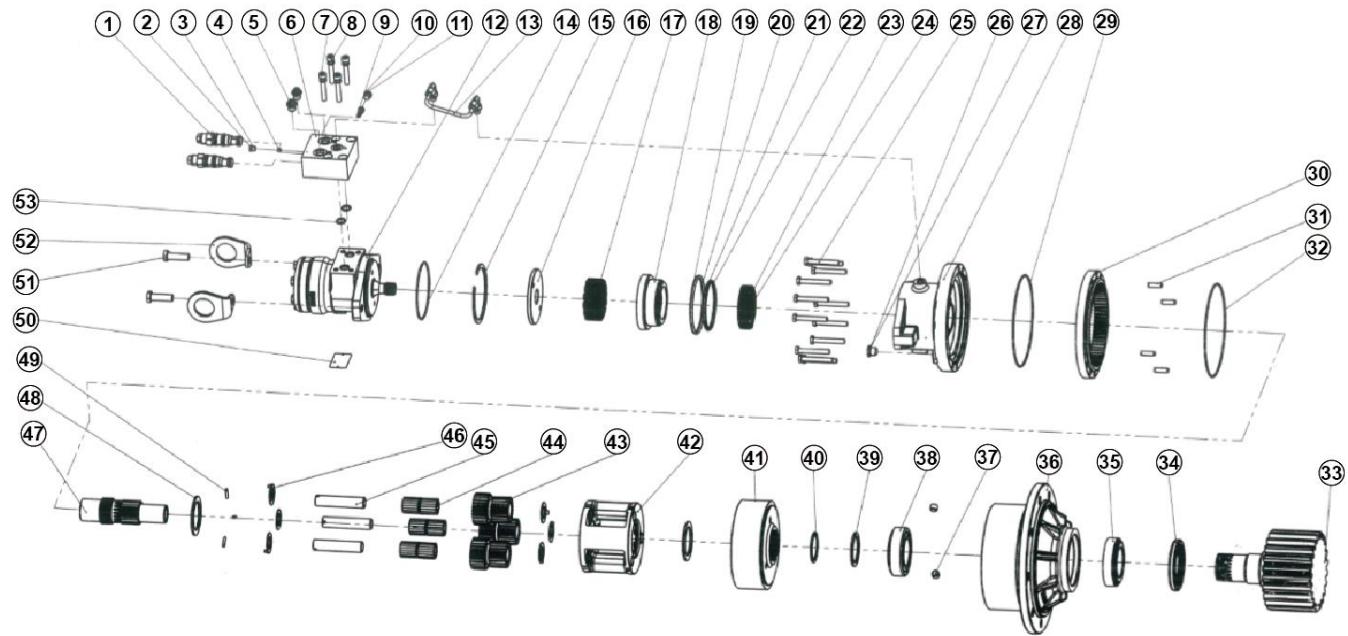
Swing reducer fsa80-17a36(10392)



L2700-4120710437

Key	Part No.	Description	Spare parts Y/N	Qty	Remarks
1	4120710437001	Balancing valve 20036105010	Y	2	
2	4120710437002	Threaded plug 20036505010	Y	1	
3	4120709565032	O-ring 6.1 x 1.6	Y	1	
4	4120710437003	Threaded plug 34093002010	Y	1	
5	4120710437004	Plug 20036605010	Y	2	
6	4120710437005	Balancing valve block 20036205010	Y	1	
7	4120710437006	Screw 41010204600	Y	4	
8	4120711510005	Washer gb/t93	Y	4	
9	4120710437007	Shuttle valve 20036305010	Y	1	
10	4120710437008	Plug 20036405010	Y	1	
11	4120710437009	O-ring 33024302010	Y	1	
12	4120710437010	Swing motor 20030105010	Y	1	
13	4120710437011	Oil pipe assy 20030205010	Y	1	
14	4120710437012	O-ring 43010100310	Y	1	
15	4120710437013	Snap ring 20030705010	Y	1	
16	4120710437014	Spring hold-down plate 20030605010	Y	1	
17	4120710437015	Brake spring 20035304010	Y	14	
18	4120710437016	Brake piston 20032305010	Y	1	
19	4120710437017	Snap ring 20030905010	Y	1	
20	4120710437018	O-ring 40110001090	Y	1	
21	4120710437019	O-ring 43010124700	Y	1	
22	4120710437020	Snap ring 20031005010	Y	1	

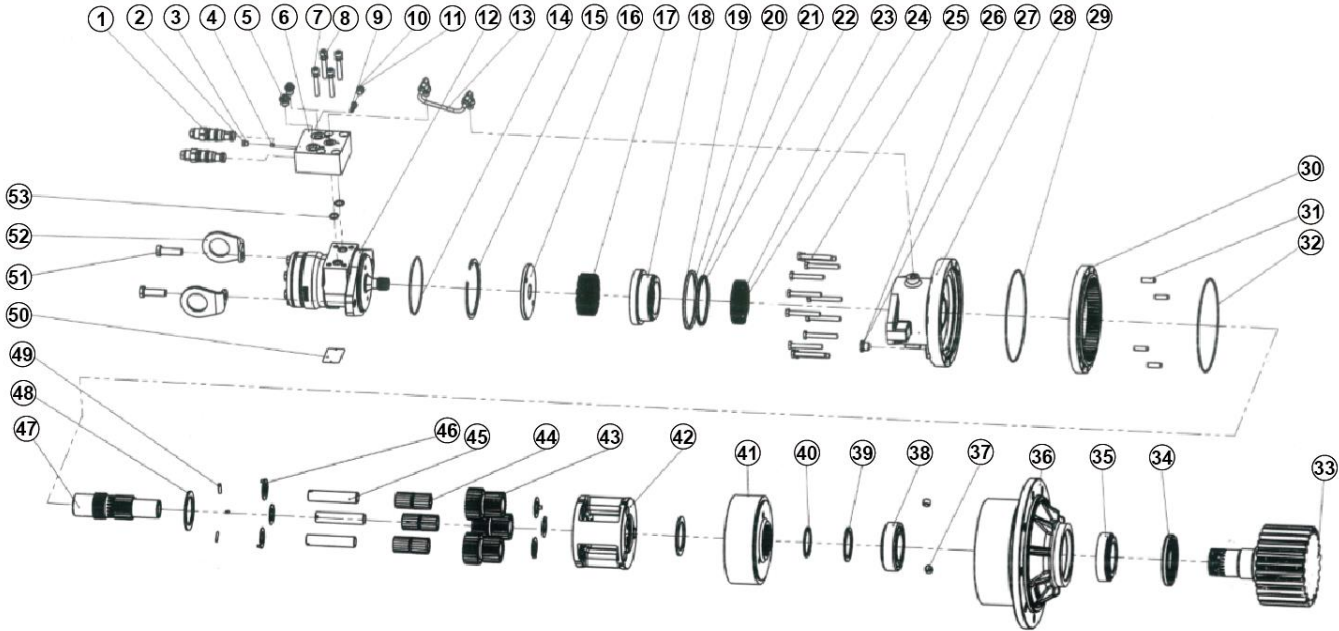
Swing reducer fsa80-17a36(10392)



L2700-4120710437

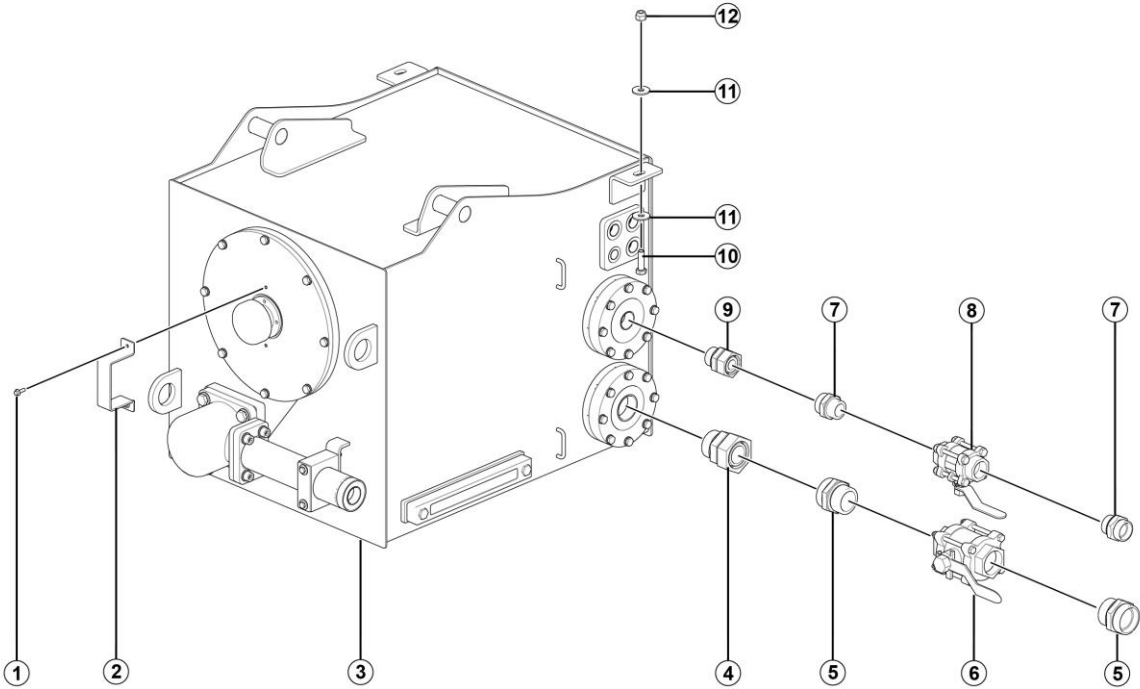
Key	Part No.	Description	Spare parts Y/N	Qty	Remarks
23	4120710437021	Brake disk 20035104010	Y	4	
24	4120710437022	Friction disk 20035204010	Y	5	
25	4120710437023	Bolt 40110001080	Y	12	
26	4120710437024	Plug 34090302010	Y	1	
27	4120710437025	O-ring 43010107900	Y	1	
28	4120710437026	Housing 20030405010	Y	1	
29	4120710437027	O-ring 40110001100	Y	1	
30	4120710437028	First gear ring 20031105010	Y	1	
31	4120710437029	Pin 20031205010	Y	4	
32	4120710437030	O-ring 40110001110	Y	1	
33	4120710437031	Transmission shaft 20032505010	Y	1	
34	4120710437032	Oil seal 40110001500	Y	1	
35	4120710437033	Tapered roller bearing 40110001300	Y	1	
36	4120710437034	Gear ring seat 20032005010	Y	1	
37	4120710437035	Plug 40110001200	Y	2	
38	4120710437036	Tapered roller bearing 40110001400	Y	1	
39	4120710437037	Shim 20032205010	Y	1	
40	4120710437038	Half snap ring 2032105010	Y	2	
41	4120710437039	2nd ring gear 20031905010	Y	1	
42	4120710437040	Planetary carrier 20031401010	Y	1	
43	4120710437041	Double gear 20031605010	Y	3	
44	4120710437042	Needle roller bearing 20031705010	Y	3	

Swing reducer fsa80-17a36(10392)



L2700-4120710437

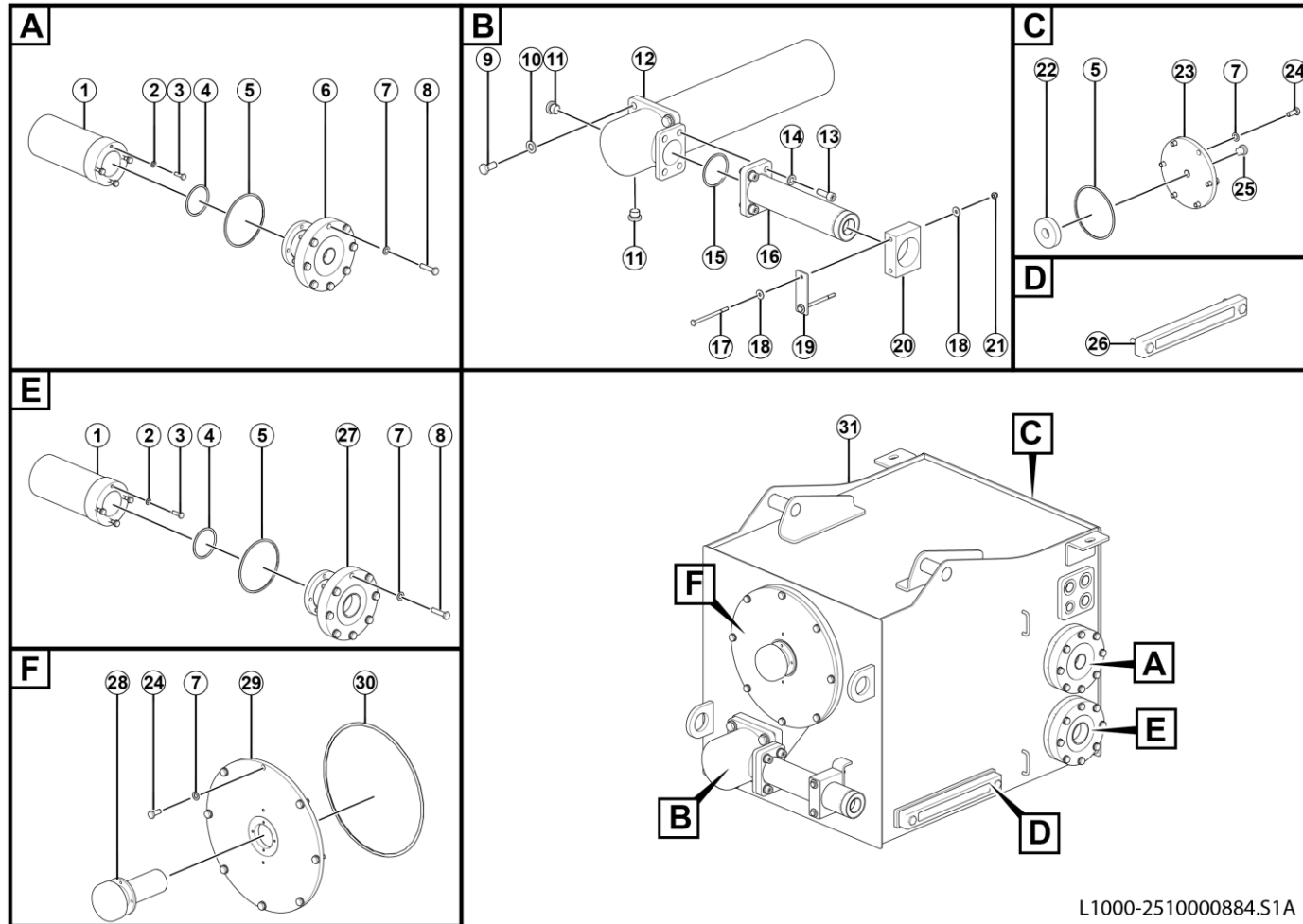
Hyd oil tank assy



L1000-2510000883.S1A

Key	Part No.	Description	Spare parts Y/N	Qty	Remarks
1	4011011061	Bolt gb16674-m5*16flznyc-8.8-480	Y	2	
2	25100003302	Forming (stamping, etc.), cleaner guard plate,	Y	1	
3	25100008841	Hyd oil tank delivered assembled	N	1	
4	4120709242	Joint	Y	1	
5	4120709241	Jiont	Y	2	
6	4120703951	Ball valve 3pc-q11f-16p-1 1/2	Y	1	
7	4120704908	Straight fitting ge28lredomdcf	Y	2	
8	4120703954	Ball valve 3pc-q11f-16p-1	Y	1	
9	4120711187	Joint ege28lmedcf	Y	1	
10	4011010727	Bolt gb5783-m10*35flznyc-8.8-480	Y	2	
11	4015010278	Washer gb96.1-10flznyc-480	Y	4	
12	4013010296	Nut gb889.1-m10flznyc-8	Y	2	

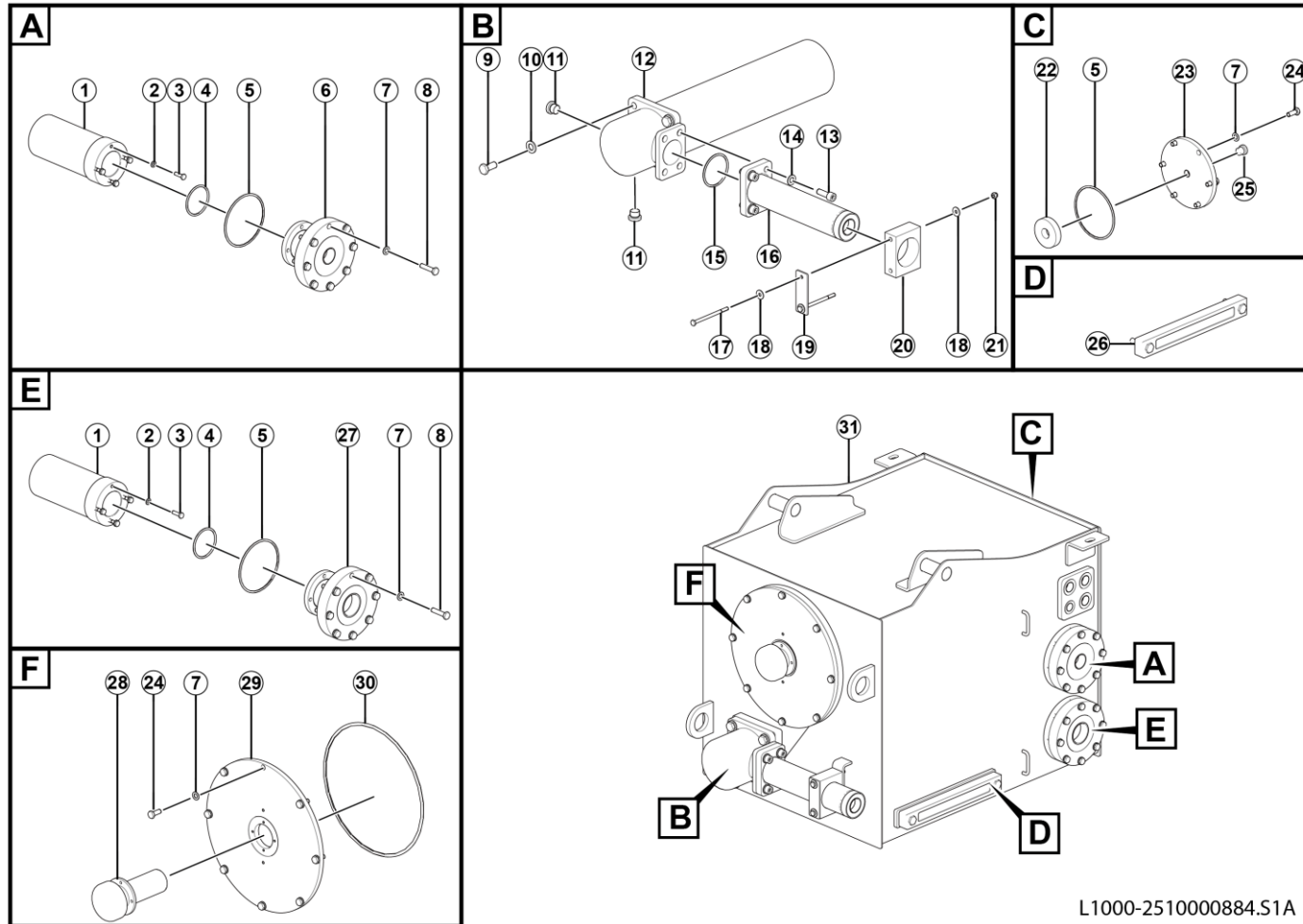
Hyd oil tank delivered assembled



L1000-2510000884.S1A

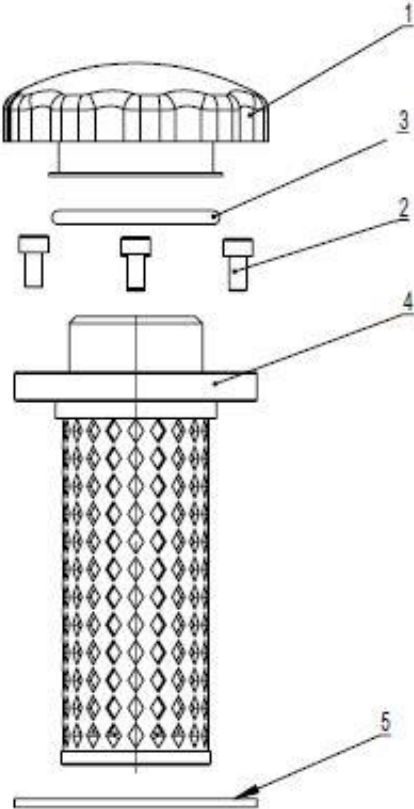
Key	Part No.	Description	Spare parts Y/N	Qty	Remarks
1	4120703942	Suction filter wu-250*100f-j	Y	2	
2	4015010284	Washer gb97.1-6flznyc-480	Y	8	
3	4011010744	Bolt gb5783-m6*20flznyc-8.8-480	Y	8	
4	4030100248	O-ring gb3452.1-54.5*3.55g	Y	2	
5	4030000134	O-ring gb3452.1-100*3.55g	Y	3	
6	25100001331	Welding, oil suction pipe, tank-oil suction pipe	Y	1	
7	4015010280	Washer gb97.1-8flznyc-480	Y	30	
8	4011010972	Bolt gb5783-m8*35flznyc-8.8-480	Y	16	
9	4011011038	Bolt gb5783-m12*25flznyc-8.8-480	Y	4	
10	4015010340	Washer gb97.1-12flznyc-300hv-480	Y	4	
11	4120707032	Plug	Y	2	
12	4120001707	Oil return filter rfa-250*5f	Y	1	
13	4014010441	Screw gb70.1-m10*30flznyc-8.8-480	Y	4	
14	4015010339	Washer gb97.1-10flznyc-300hv-480	Y	4	
15	4030100246	O-ring gb3452.1-60*3.55g	Y	1	
16	25100002502	Welding, main oil return pipe, for connecting oil return pipe-oil return filter	N	1	
17	4011011186	Bolt gb5782-m6*90flznyc-8.8-480	Y	2	
18	4015010296	Washer gb96.1-6flznyc-480	Y	4	
19	4120704776	Cover plate	Y	1	
20	4120704775	Pipe clamp	Y	1	
21	4013010300	Nut gb889.1-m6flznyc-8-480	Y	2	
22	4120000669	Ring magnet lg03-ct58*20*13	Y	1	

Hyd oil tank delivered assembled

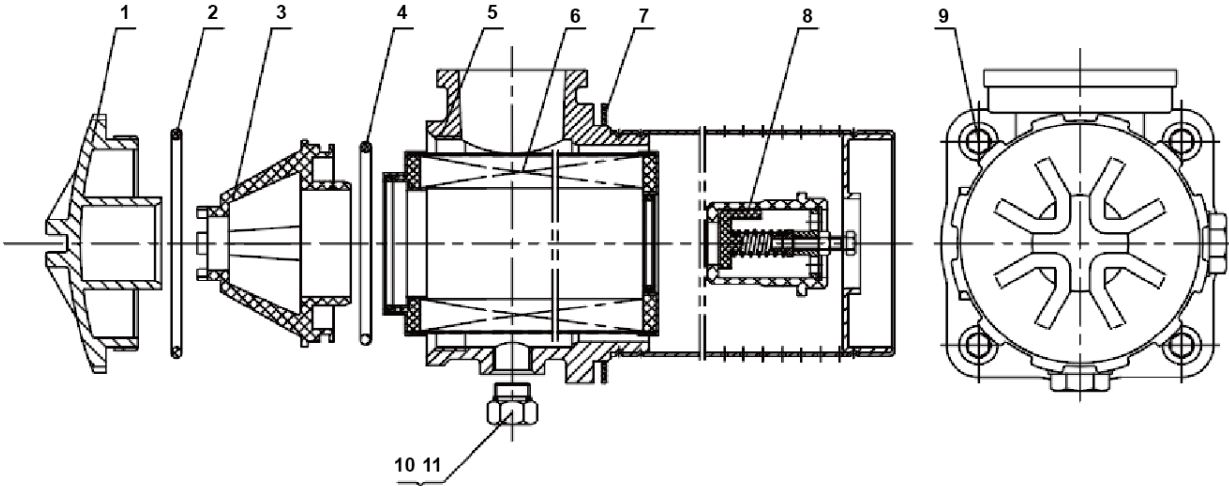


L1000-2510000884.S1A

Air filter assembly

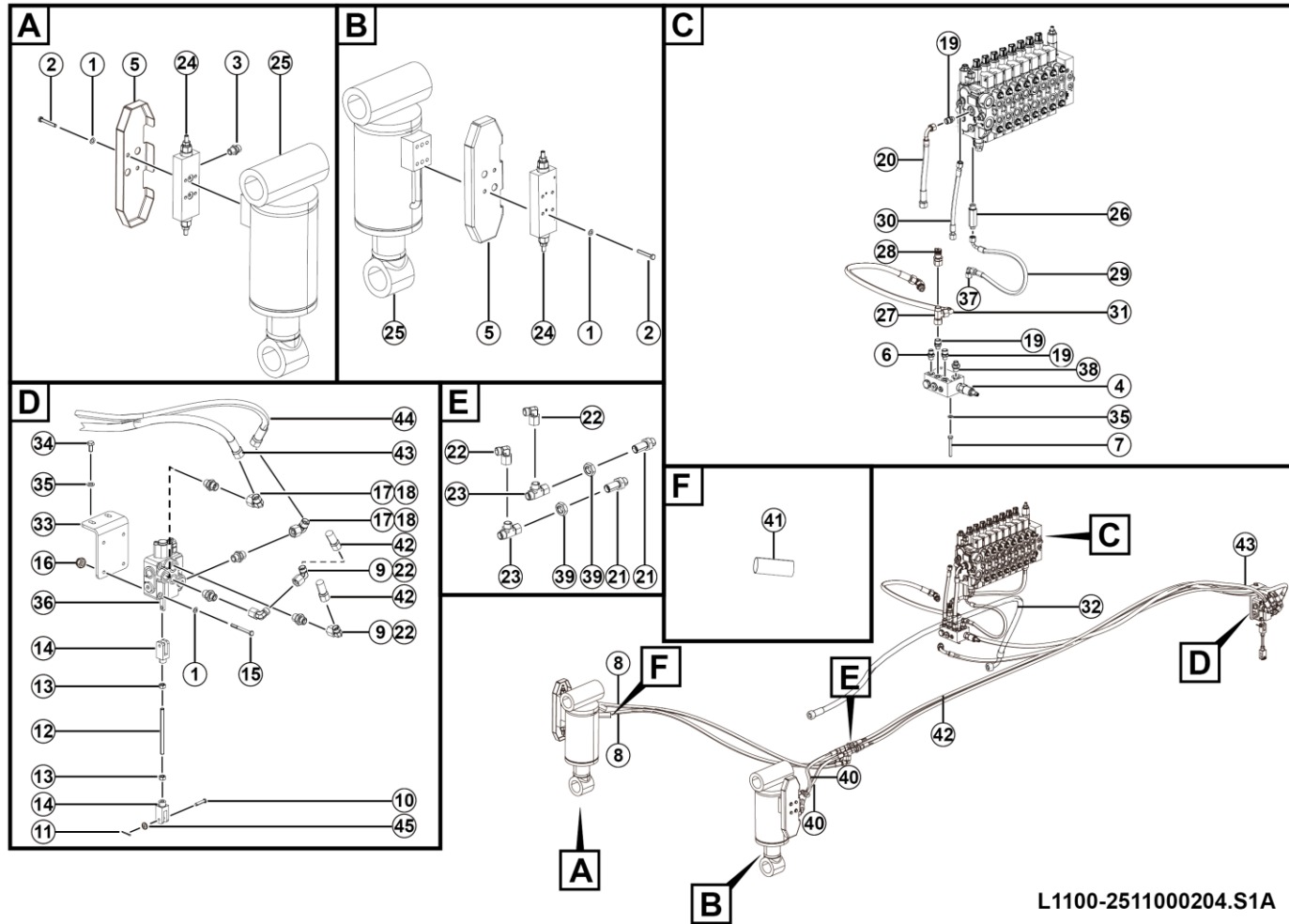


Oil return filter rfa-250*5f



Key	Part No.	Description	Spare parts Y/N	Qty	Remarks
1	4120001707002	Filter cover kc20g05-001	Y	1	
2	4120001707003	O-ring 105x3.1	Y	1	
3	4120001707005	Filter head kc20g05-003	Y	1	
4	4120001707007	Gasket, rfa-160-3	Y	1	
5	4120001707004	O-ring 82.5x3.55	Y	1	
6	4120001707001	Filter element fax-250 x 5	Y	1	
7	4120001707006	Housing kc20g05-b02	Y	1	
8	4120001707008	Bypass valve kc20g05-b03	Y	1	
9	4120001707011	Tube baseplate kc20g05-b04	Y	1	
10	4120001707012	Tripod kc20g05-b05	Y	1	
11	4120001707010	Ed oil plug m18 x 1.5	Y	2	
12	4120001707009	Hexagon screw m12	Y	4	

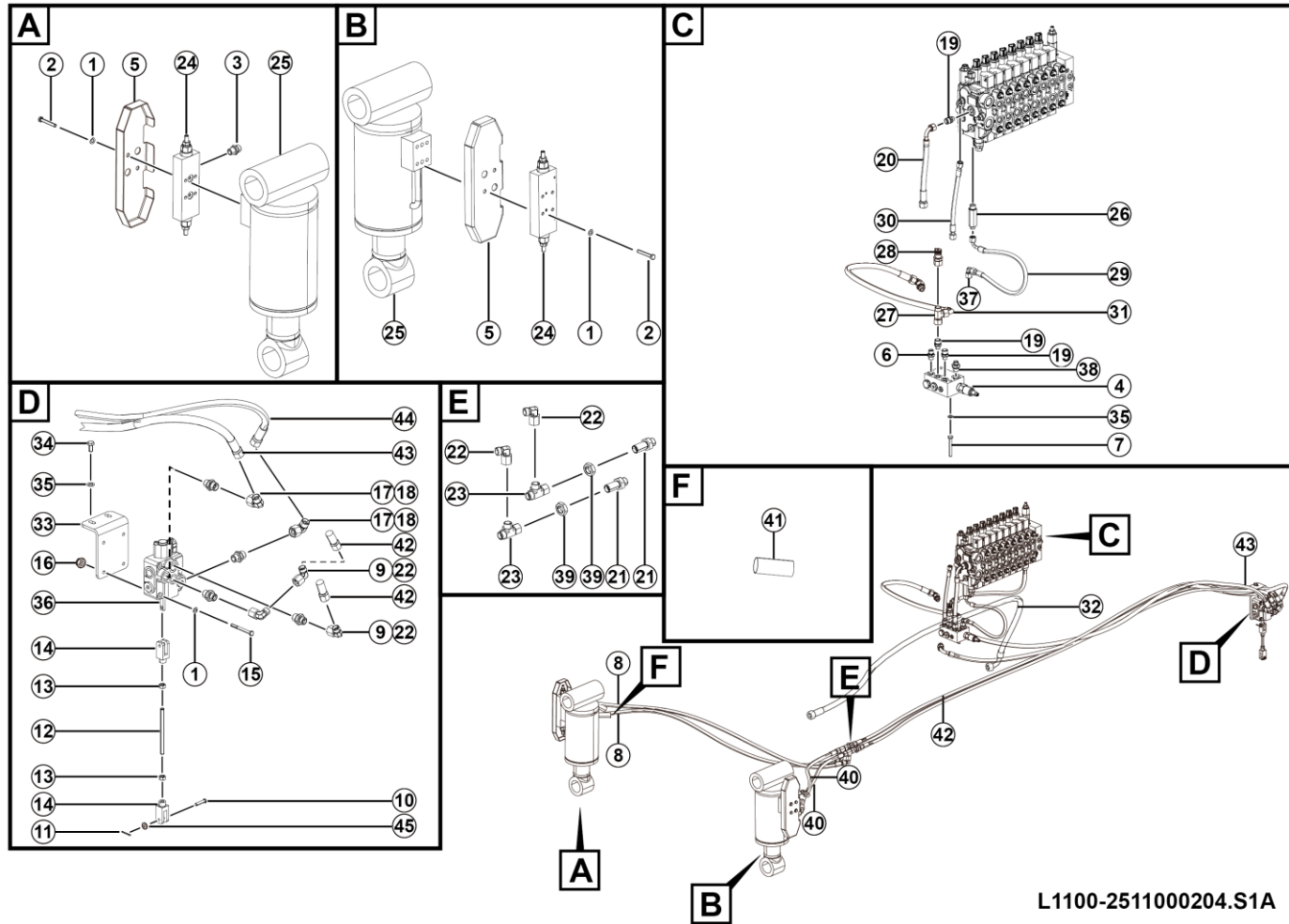
Axle oscillate hyd assy



L1100-2511000204.S1A

Key	Part No.	Description	Spare parts Y/N	Qty	Remarks
1	25110000571	M6 hard gasket, 12*6.5*2	Y	8	
2	4011011108	Bolt gb5783-m6*40flznyc-10.9-480	Y	8	
3	4120001188	Fitting ge10lredomdcf	Y	4	
4	4120709052	Valve	Y	1	
5	25110002011	Floating valve shield	Y	2	
6	4120001170	Fitting ge08lredomdcf	Y	1	
7	4011010975	Bolt gb5783-m8*60flznyc-8.8-480	Y	2	
8	4120708804	Hose assembly	Y	2	
9	4120001165	Fitting ge10lr3/8edomdcf	Y	2	
10	4016010252	Pin gb882-b6*28flznyc-35-480	Y	2	
11	4016010259	Pin gb91-2*20flznyc-q235a-480	Y	2	
12	25110001572	Wire rod	Y	1	
13	4013010291	Nut gb6170-m8flznyc-8-480	Y	2	
14	25110000231	Strap joint	Y	2	
15	4011010999	Bolt gb5782-m6*60flznyc-8.8-480	Y	3	
16	4013010300	Nut gb889.1-m6flznyc-8-480	Y	3	
17	4120001224	Fitting ge12lredomdcf	Y	5	
18	4129900314	Fitting ew12lomda3c	Y	3	
19	4120704913	Fitting ge12lr1/4edomdcf	Y	5	
20	4120711267	Hose f471tccacf121206-300	Y	1	
21	25110001661	Straight spacer fitting	Y	2	
22	4120001166	Fitting ew10lomdcf	Y	5	

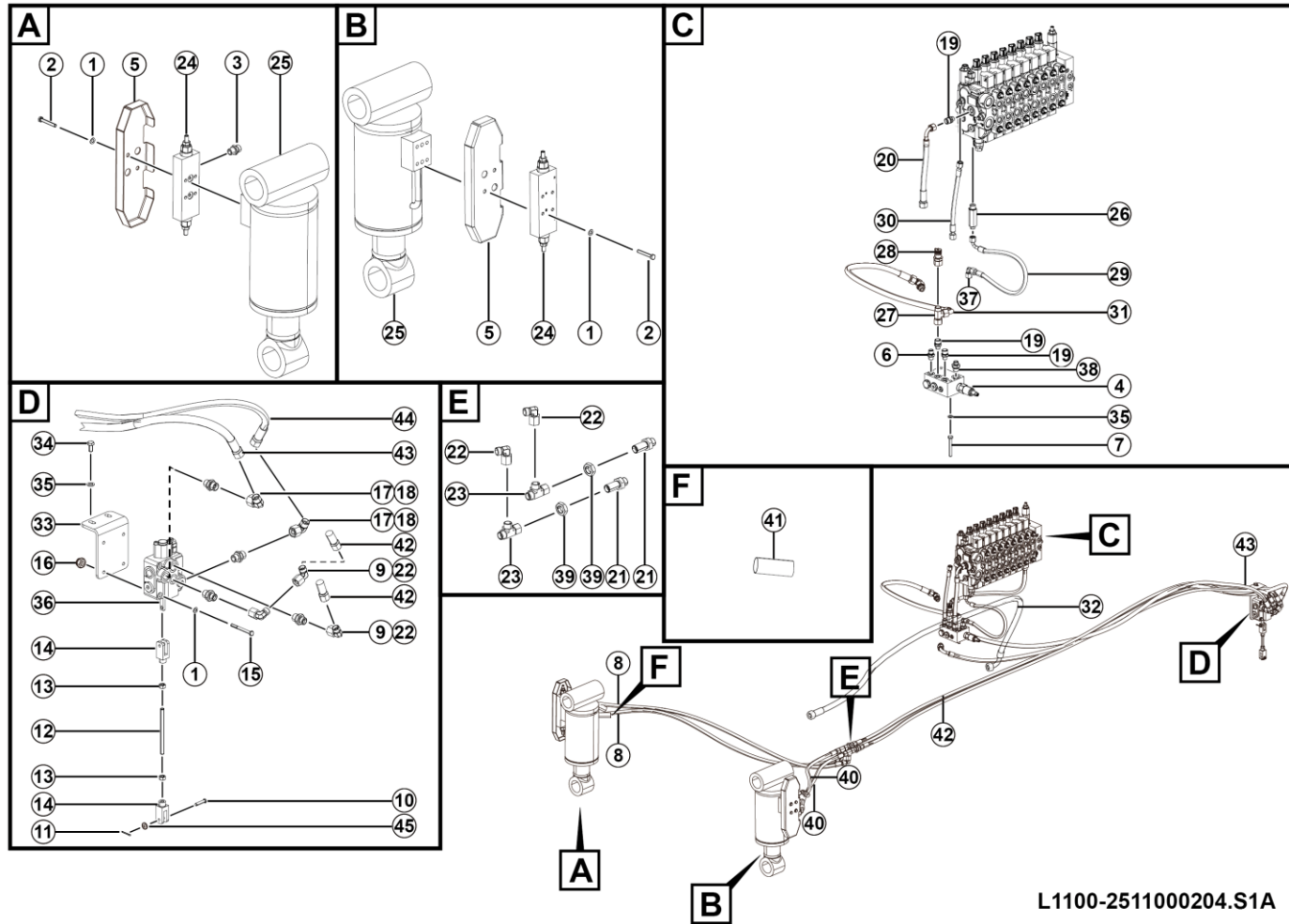
Axle oscillate hyd assy



L1100-2511000204.S1A

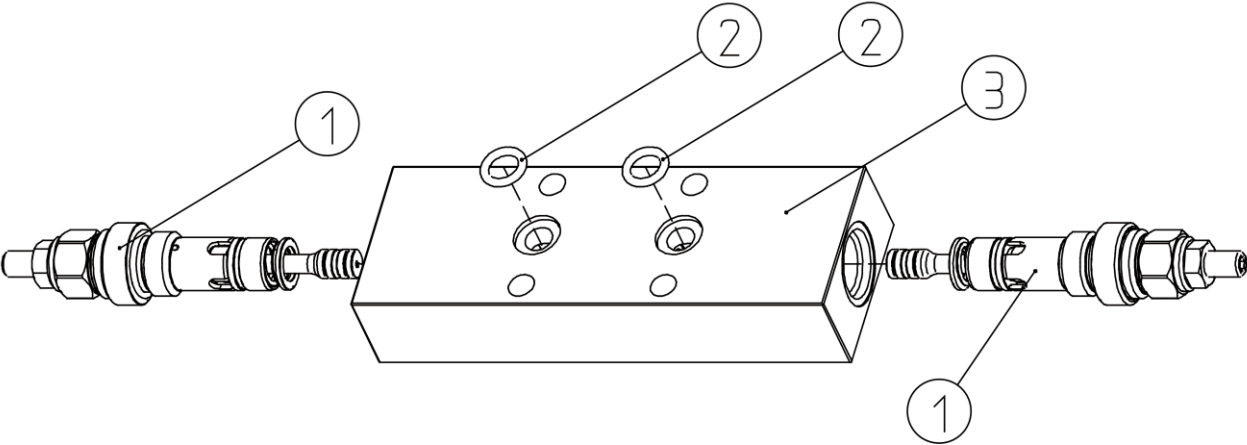
Key	Part No.	Description	Spare parts Y/N	Qty	Remarks
23	4120001168	Three-way jiont	Y	2	
24	4120703553	Counterbalance valve	Y	2	
25	4120708911	Oscillate cylinder	Y	2	
26	4120708330	Nipple	Y	1	
27	4120000619	Tee fitting el12lomda3c	Y	1	
28	4190002557	Test coupling 1-908-06-20-010-cf	Y	1	
29	4120705181	Hose assembly	Y	1	
30	4120710810	Hose f471tccaca080804-300	Y	1	
31	4120704419	Hose	Y	1	
32	4120709874	Hose f481cacf121206-1750	Y	1	
33	25110001472	Floating valve mounting plate	Y	1	
34	4011010711	Bolt gb5783-m8*20flznyc-8.8-480	Y	2	
35	4015010280	Washer gb97.1-8flznyc-480	Y	4	
36	4120703386	Oscillation balance dcv20/1-0145	Y	1	
37	4190000698	Fitting ew08lomda3c	Y	1	
38	4120001391	Jiont	Y	1	
39	4013010519	Nut gb6173-m16*1.5flznyc-05-480	Y	2	
40	4120709006	Pipe	Y	2	
41	4120709365	Fh-φ21-l500	Y	4	
42	4120709981	Hose f481caca101005-2500	Y	2	
43	4120707596	Hose f481cacf121206-1800	Y	1	
44	4120712524	Hose f481cacf121206-1900	Y	1	

Axle oscillate hyd assy

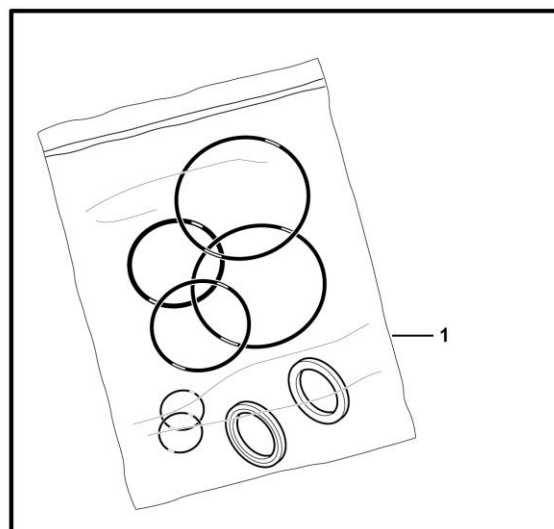


L1100-2511000204.S1A

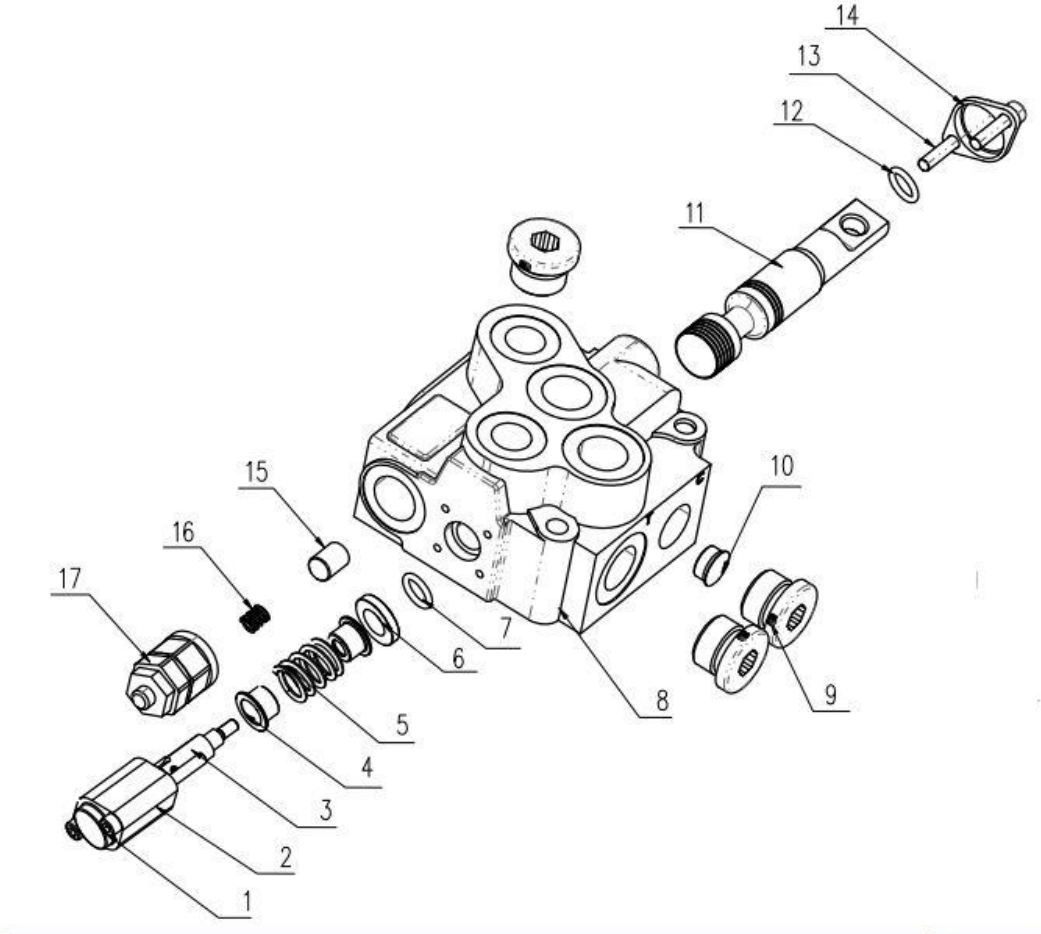
Counterbalance valve



Oscillate cylinder

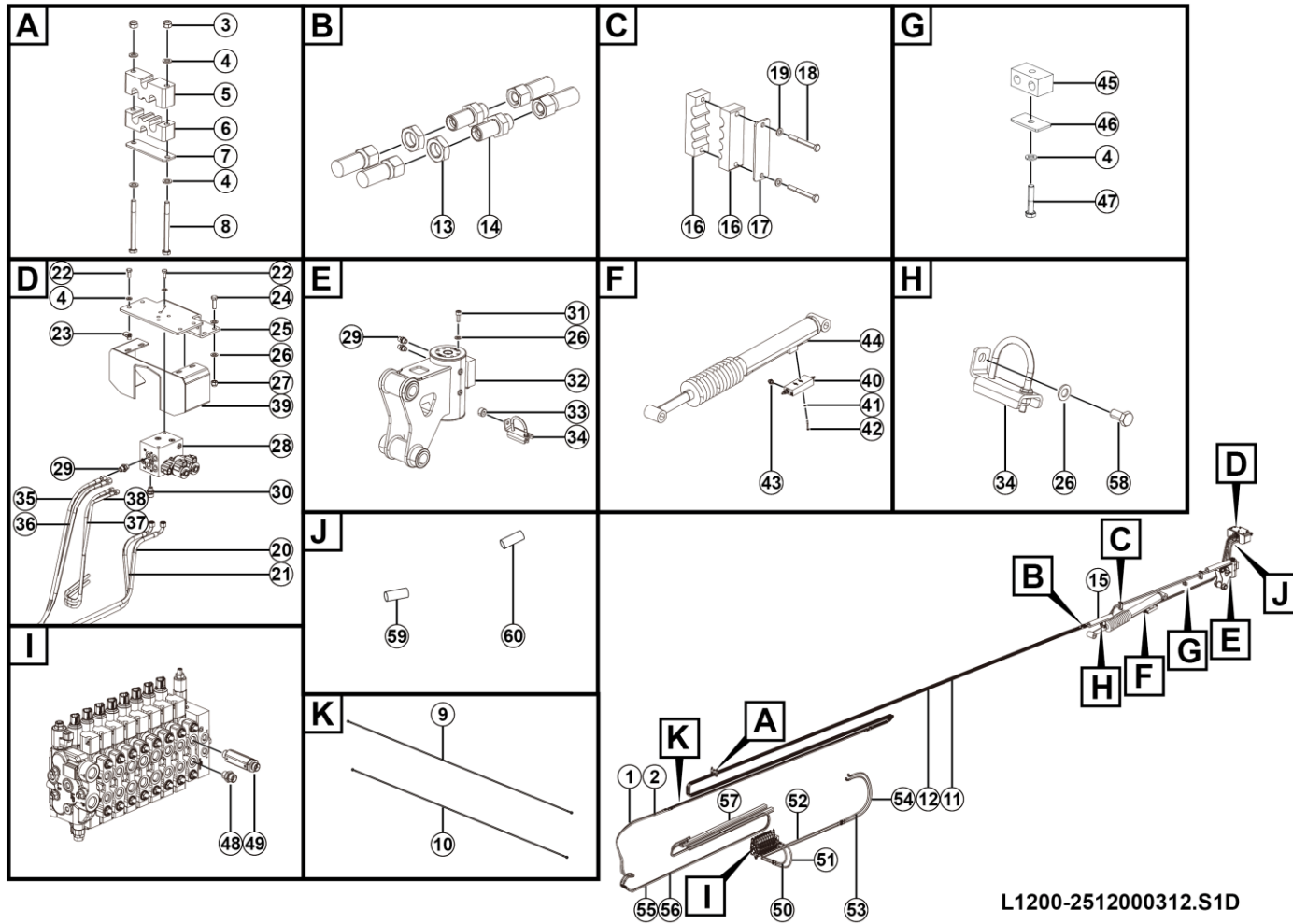


Valve



Key	Part No.	Description	Spare parts Y/N	Qty	Remarks
1	4120001446001	Bolt	Y	2	
2	4120001446002	Rear cover aa000292	Y	1	
3	4120001446003	Bolt	Y	1	
4	4120001446004	Spring seat aa000169	Y	2	
5	4120001446005	Return spring tr000010	Y	1	
6	4120001446006	Dust ring sd000000	Y	1	
7	4120001446007	Seal ring sr000011	Y	2	
8	4120001446008	Valve h000084	Y	1	
9	4120001446009	Plug cp000077	Y	3	
10	4120001446010	U2 plug cp000023	Y	1	
11	4120001446011	Spool fs001869	Y	1	
12	4120001446012	Seal ring sr000011	Y	1	
13	4120001446013	Bolt	Y	2	
14	4120001446014	Pressure plate sa000425	Y	1	
15	4120001446015	Check valve aa000160	N	1	
16	4120001446016	Spring tr000040	N	1	
17	4120001446017	Valve fl003556	Y	1	

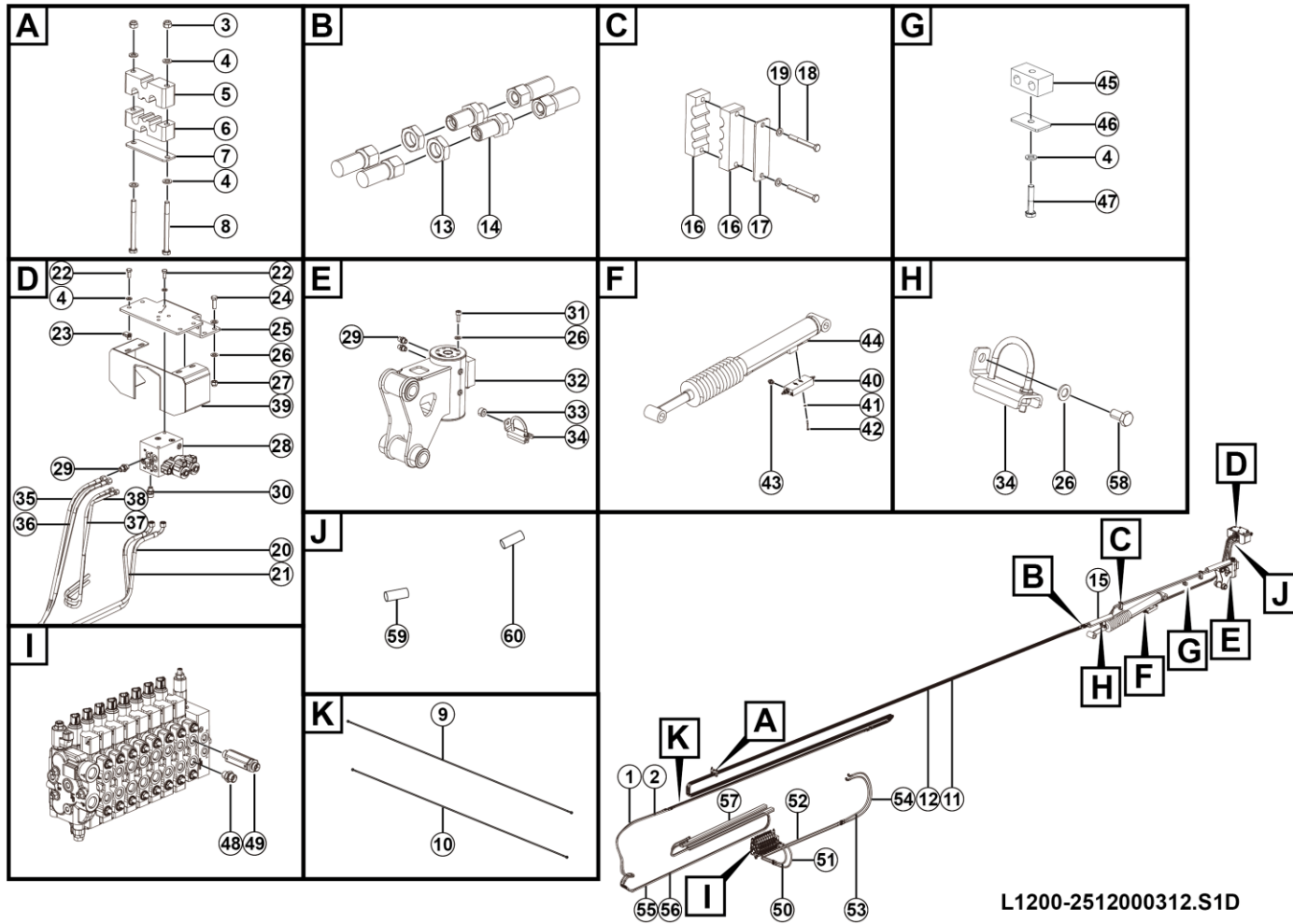
Platform rotate hyd assy



L1200-2512000312.S1D

Key	Part No.	Description	Spare parts Y/N	Qty	Remarks
1	4120710833	Hose f471tcd0cf121206-2250	Y	1	
2	4120710833	Hose f471tcd0cf121206-2250	Y	1	
3	4013010297	Nut gb889.1-m8flznyc-8-480	Y	2	
4	4015010280	Washer gb97.1-8flznyc-480	Y	11	
5	25120002481	Clamp	Y	1	
6	25120001482	Clamp	Y	1	
7	25080006552	Drag chain clamp platen	Y	1	
8	4011011178	Bolt gb5782-m8*95flznyc-8.8-480	Y	2	
9	25080009741	Pipe	Y	1	
10	25120001831	Pipe	Y	1	
11	4120713382	Hose f471tccad0121206-11350 (d0-as4400)	Y	1	
12	4120713382	Hose f471tccad0121206-11350 (d0-as4400)	Y	1	
13	4013010536	Nut gb6173-m18*1.5flznyc-05-480	Y	4	
14	25080010121	Straight spacer fitting	Y	4	
15	25120003021	Canvas 200*800	Y	2	
16	25120002891	Pipe clamp	Y	4	
17	25120002902	Pipe clamp cover plate	Y	2	
18	4011010920	Bolt gb5782-m6*55flznyc-8.8-480	Y	4	
19	4015010284	Washer gb97.1-6flznyc-480	Y	4	
20	4120710846	Hose f471tccacf121206-3500	Y	1	
21	4120710846	Hose f471tccacf121206-3500	Y	1	
22	4011010711	Bolt gb5783-m8*20flznyc-8.8-480	Y	6	

Platform rotate hyd assy

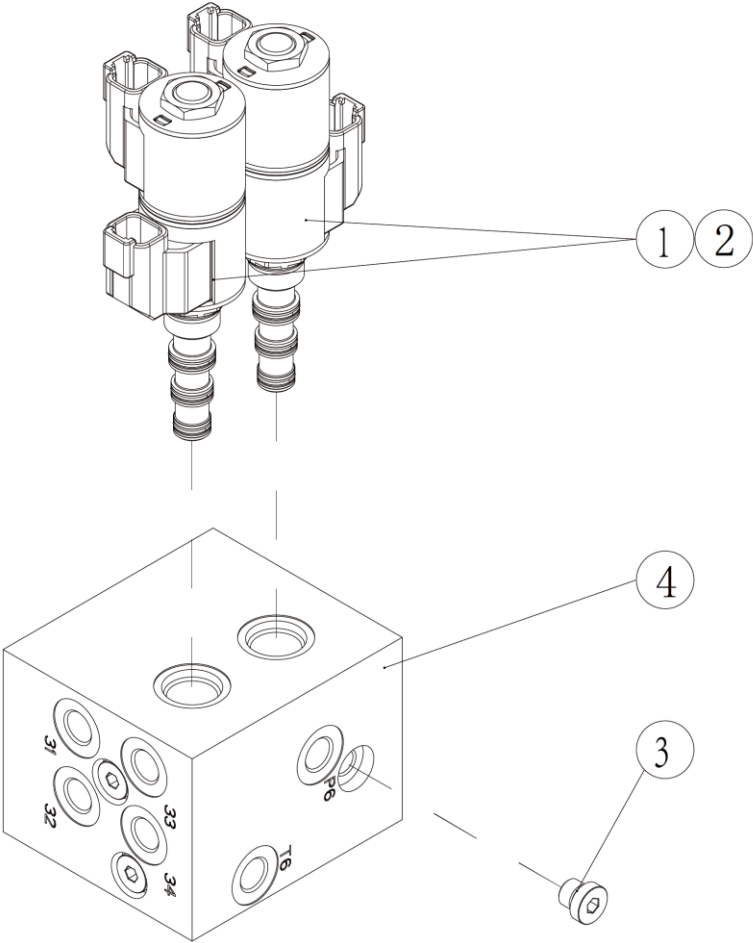


L1200-2512000312.S1D

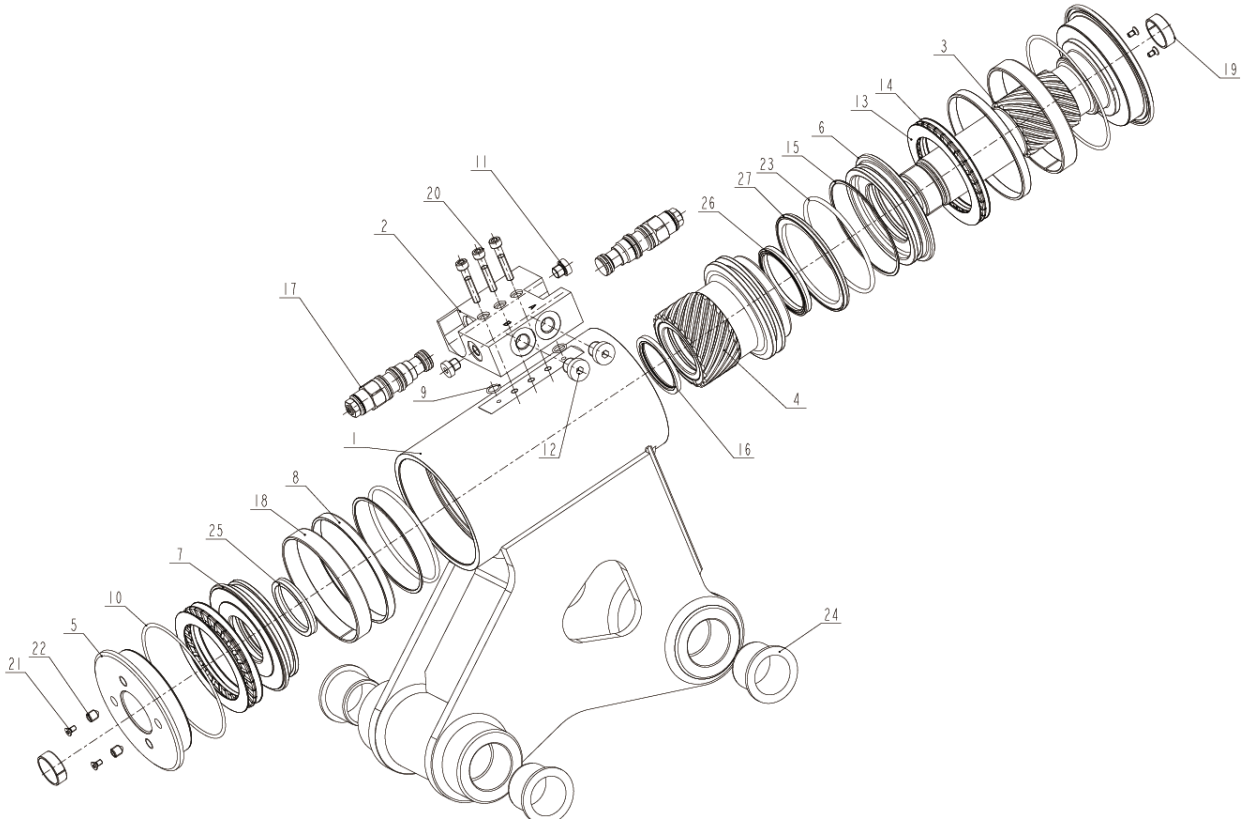
Key	Part No.	Description	Spare parts Y/N	Qty	Remarks
23	4013010383	Reed nut qc339-m8flznyc-8-480	Y	4	
24	4011010707	Bolt gb5783-m10*30flznyc-8.8-480	Y	4	
25	25120001752	Platform valve mounting plate	Y	1	
26	4015010339	Washer gb97.1-10flznyc-300hv-480	Y	17	
27	4013010296	Nut gb889.1-m10flznyc-8	Y	4	
28	4120709068	Platform controller	Y	1	
29	4120001170	Fitting ge08lredomdcf	Y	6	
30	4120704913	Fitting ge12lr1/4edomdcf	Y	2	
31	4014010275	Screw	Y	8	
32	4120707982	Rotator	Y	1	
33	25080001001	Spacer ring, 25*15	Y	1	
34	25220053971	U-bolt assy	N	2	
35	4120710474	Hose fc402cacf080804-2240	Y	1	
36	4120707555	Hosefc402cacf080804-2130	Y	1	
37	4120707575	Hose	Y	1	
38	4120707575	Hose	Y	1	
39	25120001791	Guard welding	Y	1	
40	4120707614	Fly boom balance valve	Y	1	
41	25110000571	M6 hard gasket, 12*6.5*2	Y	4	
42	4011011508	Bolt gb5782-m6*50flznyc-10.9-480	Y	4	
43	4120001391	Jiont	Y	2	
44	4120710734	Jib hyd cylinder 90*50*438*1058	Y	1	

Key	Part No.	Description	Spare parts Y/N	Qty	Remarks
45	4120002668	Clamp	Y	1	
46	27410100861	Cover plate, 53*30*3	Y	1	
47	4011011341	Bolt gb5782-m8*40flznyc-8.8-480	Y	1	
48	4120001224	Fitting ge12lredomdcf	Y	1	
49	4120710019	Overflow valve klf06-10-210-20	Y	1	
50	4120710824	Hose f471tccad0121206-550	Y	1	
51	4120710823	Hose f471tccad0121206-680	Y	1	
52	25120003141	Platform pipe	Y	2	
53	4120710825	Hose f471tcd0cf121206-1300	Y	1	
54	4120710825	Hose f471tcd0cf121206-1300	Y	1	
55	4120711287	Hose f471tccaca121206-4800	Y	1	
56	4120711287	Hose f471tccaca121206-4800	Y	1	
57	25120003161	Nylon webbing	Y	2	
58	4011010748	Bolt gb5783-m10*20flznyc-8.8-480	Y	1	
59	4120710406	Nylon fagging	Y	1	
60	4120713758	Hose nylon sheath as-b-11-2000	Y	1	

Platform controller

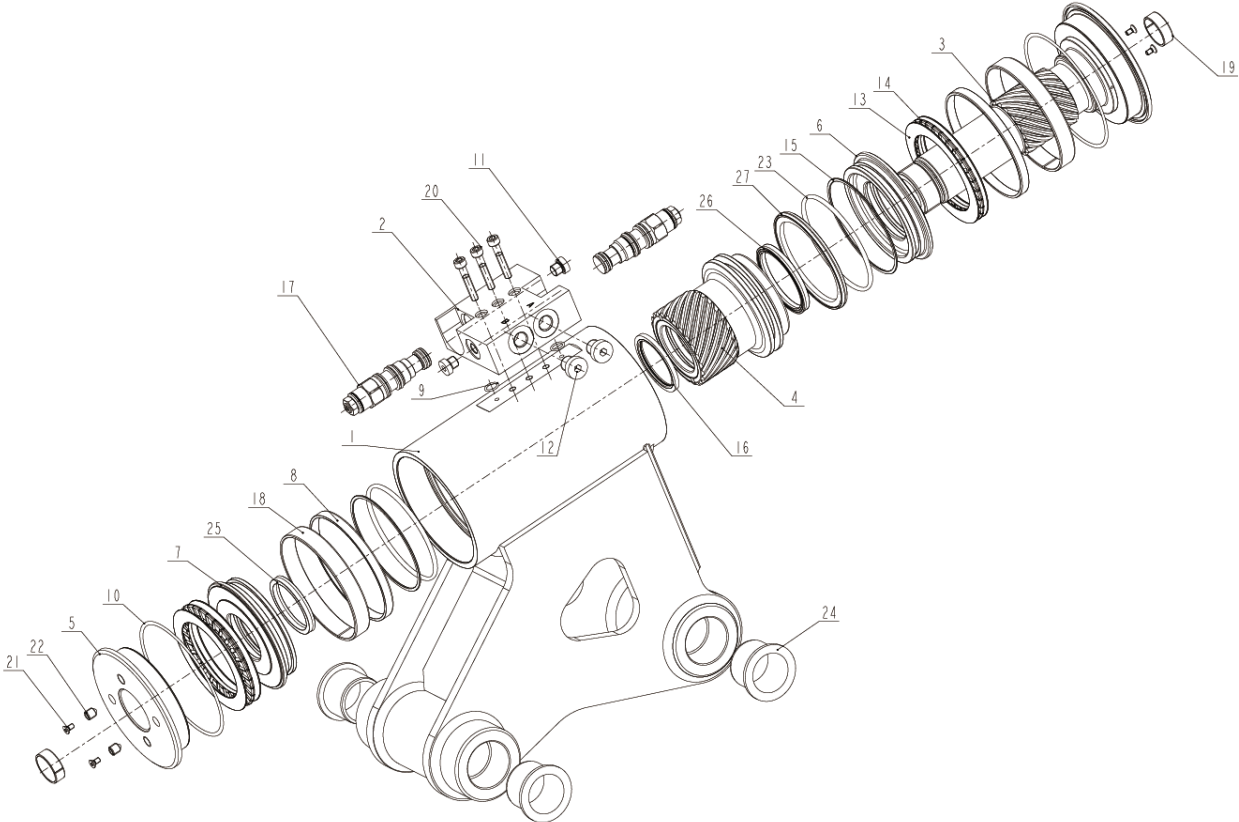


Rotator

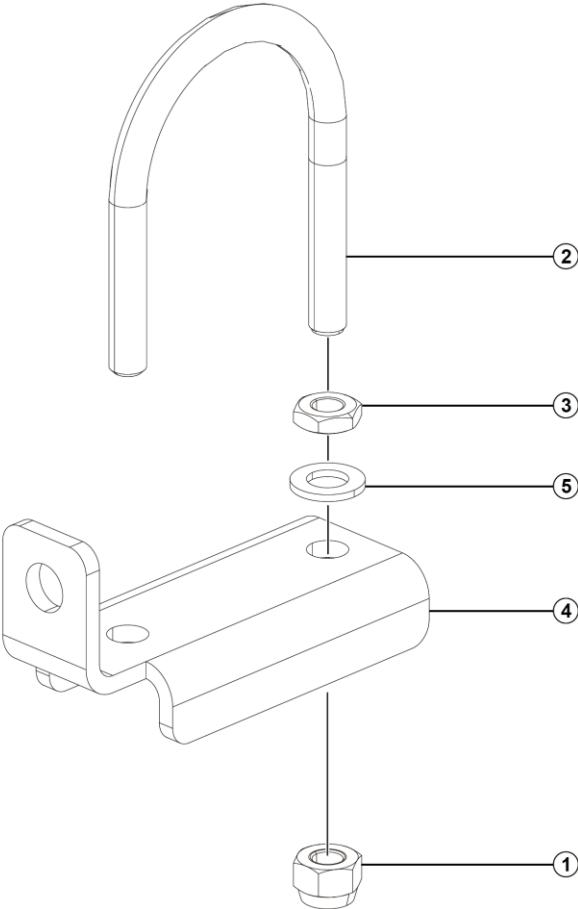


Key	Part No.	Description	Spare parts Y/N	Qty	Remarks
1	4120706329003	Cylinder block -95/45 * 46.6	Y	1	
2	4120706329009	Valve block -95/45 * 46.6	Y	1	
3	4120706329004	Output screw-d95/d45	Y	1	
4	4120706329005	Hollow screw-d95/d45	Y	1	
5	4120706329008	End cover-d95/d45	Y	1	
6	4120706329007	Upper limit ring-d95/d45	Y	1	
7	4120706329006	Lower limit ring-d95/d45	Y	1	
8	4120706329010	Wear ring-d95/d45	Y	2	
9	4120706329013	O-ring - ? ? 9.25 * 1.78	N	2	
10	4120706329011	O-ring - φ 107.62 * 2.62	Y	2	
11	4120706329018	Hexagon plug-g1/8	Y	2	
12	4120706329017	Hexagon plug-g1/4	Y	2	
13	4120706329023	Thrust gasket - φ 75 * φ 100 * 1	Y	4	
14	4120706329024	Thrust needle roller bearing - φ 75 * φ 100 * 4	Y	2	
15	4120706329014	O-ring retaining ring - φ 95 * φ 89.5 * 1.25	Y	2	
16	4120706329026	Rod sealing ring - ? ? 45 * ? ? 56 * 4.2	N	1	
17	4120706329022	Counterbalance valve -220bar	Y	2	
18	4120706329029	Sliding bushing - φ 100 * φ 105 * φ 15	Y	2	
19	4120706329028	Sliding bushing - φ 1 " * φ 1.125" * 0.375 "	Y	2	
20	4120706329015	Inner hexagonal cylindrical head screw-m6 * 35	Y	3	
21	4120706329016	Hexagon countersunk head screw-m4 * 8	Y	4	
22	4120706329019	Inner hexagonal taper end screw-m8 * 10	Y	2	

Rotator

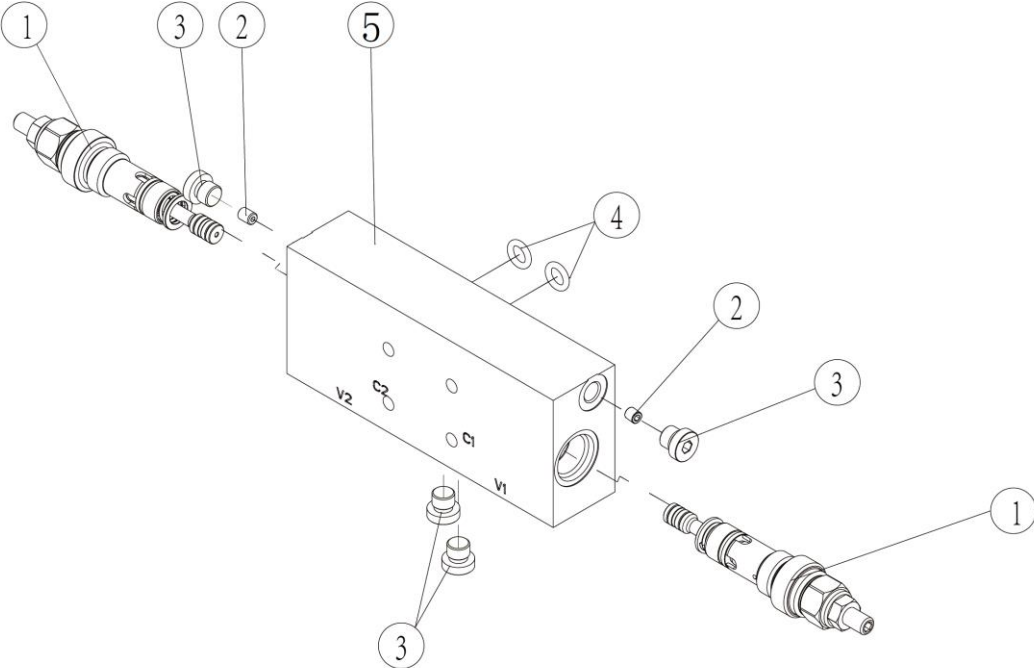


U-bolt assy



L2200-2522005397.S1A

Valve

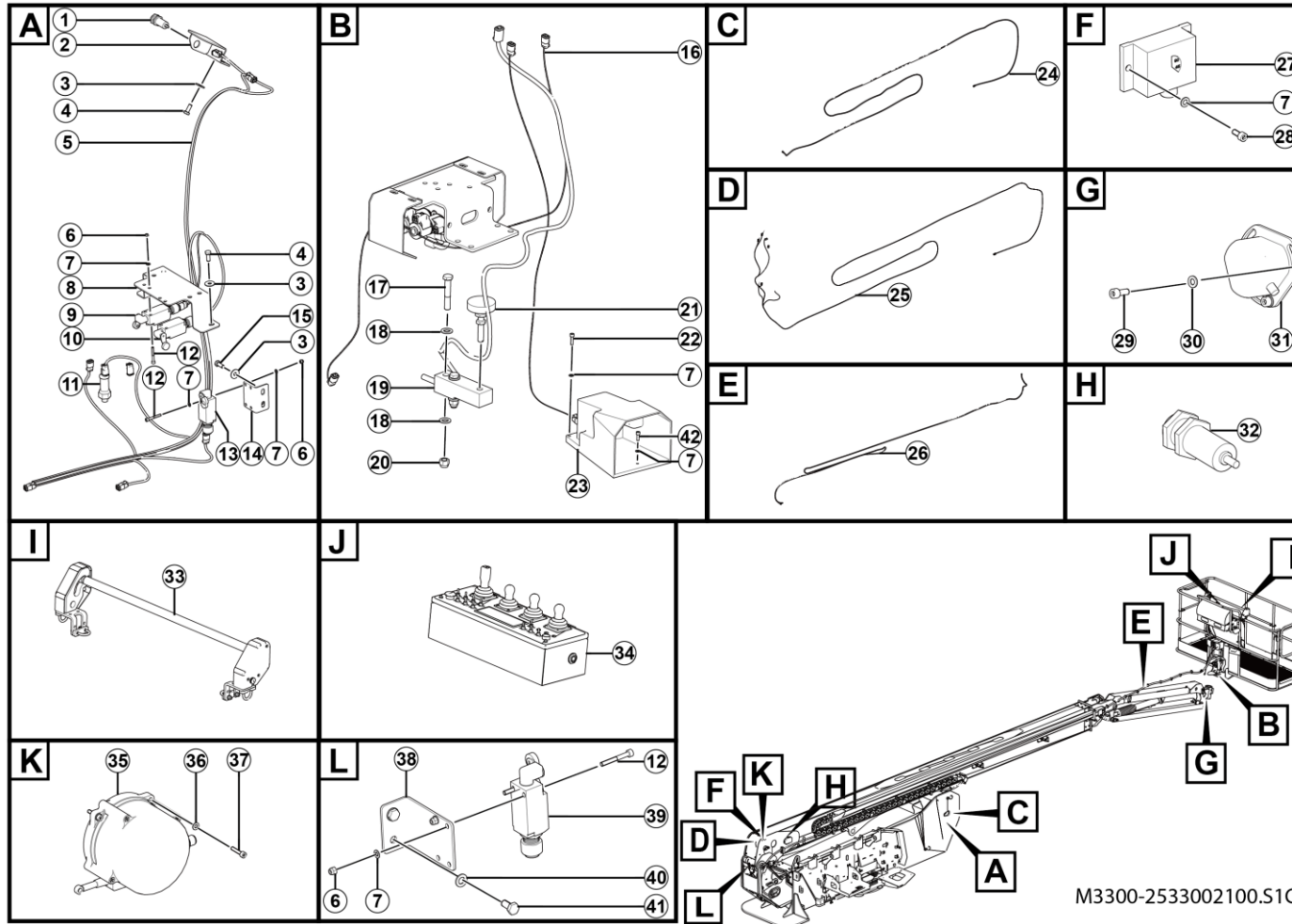


M
ELECTRIC SYSTEM



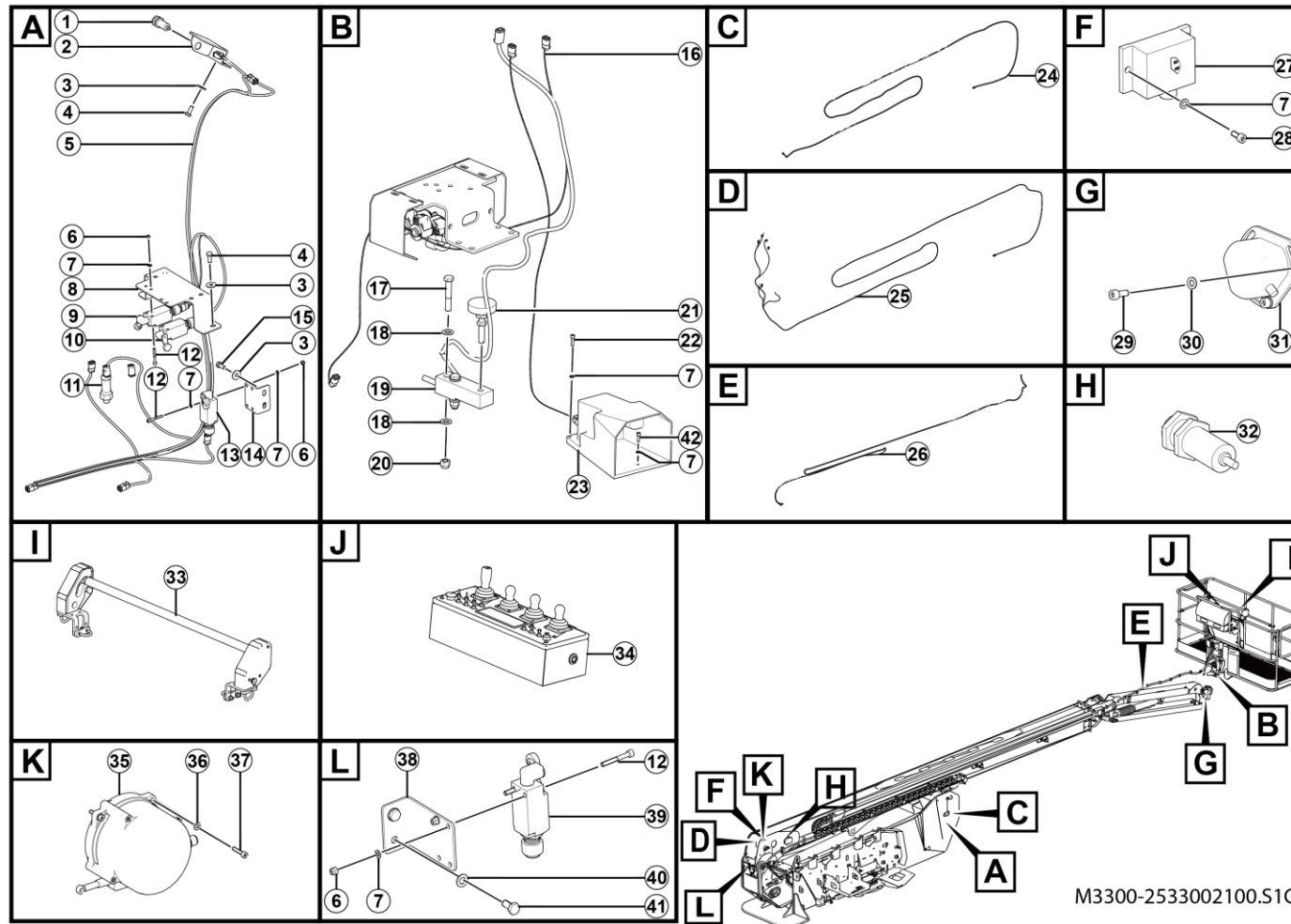
LINGONG HEAVY MACHINERY CO., LTD.

Platform elec assy



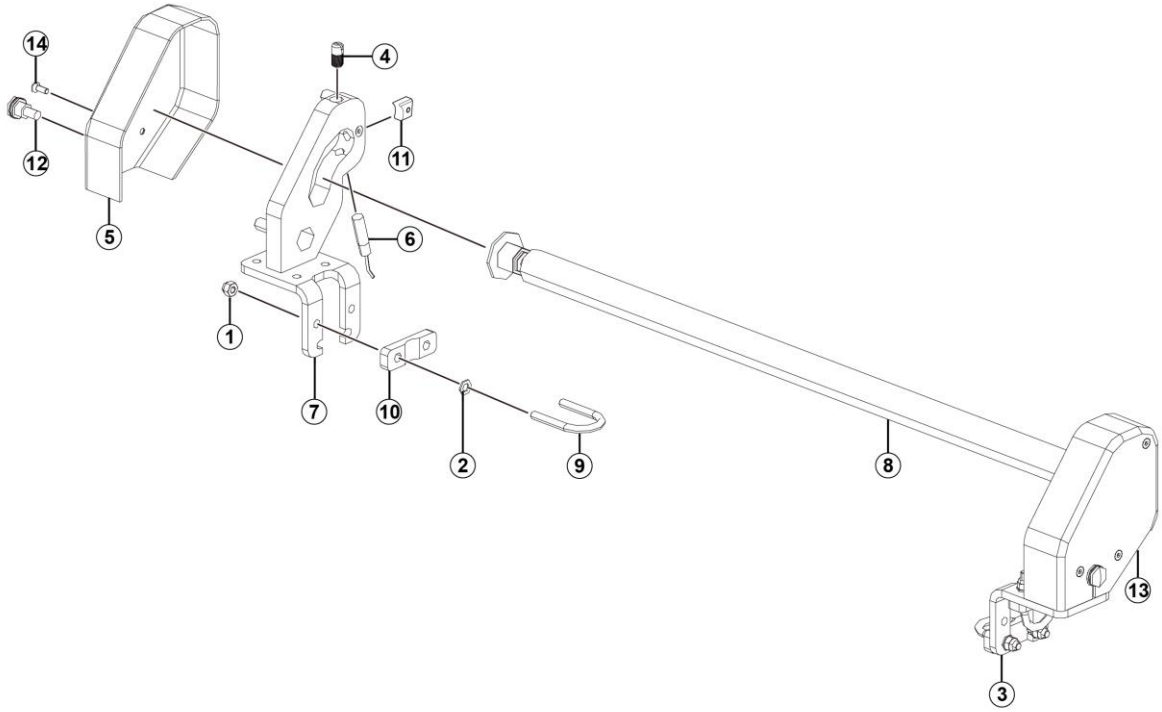
Key	Part No.	Description	Spare parts Y/N	Qty	Remarks
1	4130706120	Proximity switch xs118b3pcl2sac-1500	Y	1	
2	25330019601	Proximity switch mounting plate wldmt	Y	1	
3	4015010289	Washer gb96.1-8flznyc-480	Y	10	
4	4011010711	Bolt gb5783-m8*20flznyc-8.8-480	Y	8	
5	25330020861	Wire	Y	1	
6	4013010305	Nut gb889.1-m5flznyc-8-480	Y	8	
7	4015010283	Washer gb97.1-5flznyc-480	Y	28	
8	25330017381	Folding arm reduction travel switch mounting plate	Y	1	
9	4130705422	Travel switch xckp2118p16-4p-002	Y	1	
10	4130705423	Travel switch xckp2118p16-6p-003	Y	1	
11	4130001234	Pressure sensor	Y	1	
12	4014010123	Screw gb70.1-m5*40flznyc-8.8-480	Y	8	
13	4130705420	Travel switch xckp2118p16-6p-001	Y	1	
14	25330017351	Folding arm drop travel switch mounting plate	Y	1	
15	4011011026	Bolt gb5783-m8*20flznyc-10.9-480	Y	2	
16	25330020991	Platform harness	Y	1	
17	4011010956	Bolt gb5782-m12x70flznyc-8.8-480	Y	2	
18	4015010340	Washer gb97.1-12flznyc-300hv-480	Y	4	
19	4130706089	Load sensor fc264410104-1t	Y	1	
20	4013010301	Nut gb889.1-m12flznyc-8-480	Y	2	
21	4130705743	Tumbler adjustment	Y	1	
22	4014010122	Screw gb70.1-m5*20flznyc-8.8-480	Y	2	

Platform elec assy



Key	Part No.	Description	Spare parts Y/N	Qty	Remarks
23	4130702062	Foot switch hrf-hd3nx	Y	1	
24	25330021111	Pcu and gcu connecting cable 2	Y	1	
25	25330020851	Wire	Y	1	
26	25330021101	Pcu and gcu connecting cable 1	Y	1	
27	4130701851	Angle sensor	Y	3	
28	4014010357	Screw gb70.1-m5*12flznyc-8.8-480	Y	9	
29	4014010389	Screw gb70.1-m6*16flznyc-8.8	Y	3	
30	4015010284	Washer gb97.1-6flznyc-480	Y	3	
31	4130712929	Level sensor u2amu-cb.s7	Y	1	
32	4130705440	Proximity switch xs118b3pcl2sac-2000	Y	1	
33	25330015941	Safe protect assembly	Y	1	
34	25330020971	Pcu assy	Y	1	
35	4130702061	Cable-actuated sensor gsfsmr8000ha300000x00	Y	1	
36	4015010290	Washer gb97.1-4flznyc-480	Y	3	
37	4014010130	Screw gb70.1-m4*20flznyc-8.8-480	Y	3	
38	25330017371	Main boom travel switch mounting plate	Y	1	
39	4130705425	Travel switch xckp2118p16-6p-004	Y	1	
40	4015010280	Washer gb97.1-8flznyc-480	Y	2	
41	4011010970	Bolt gb5783-m8*16flznyc-8.8-480	Y	2	
42	4014010131	Screw gb70.1-m5*16flznyc-8.8-480	Y	1	

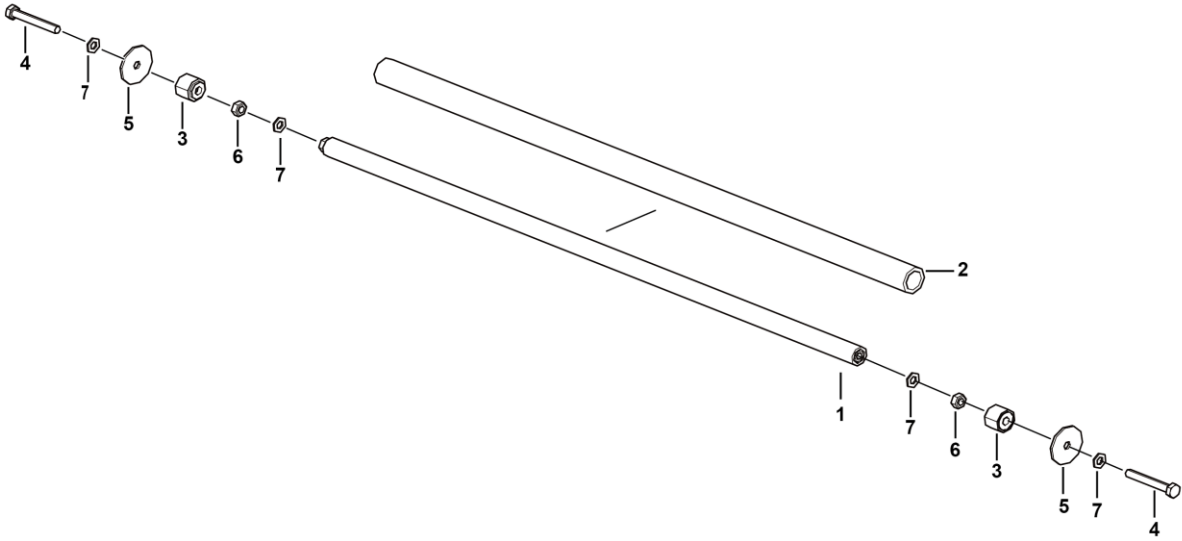
Platform protection assy



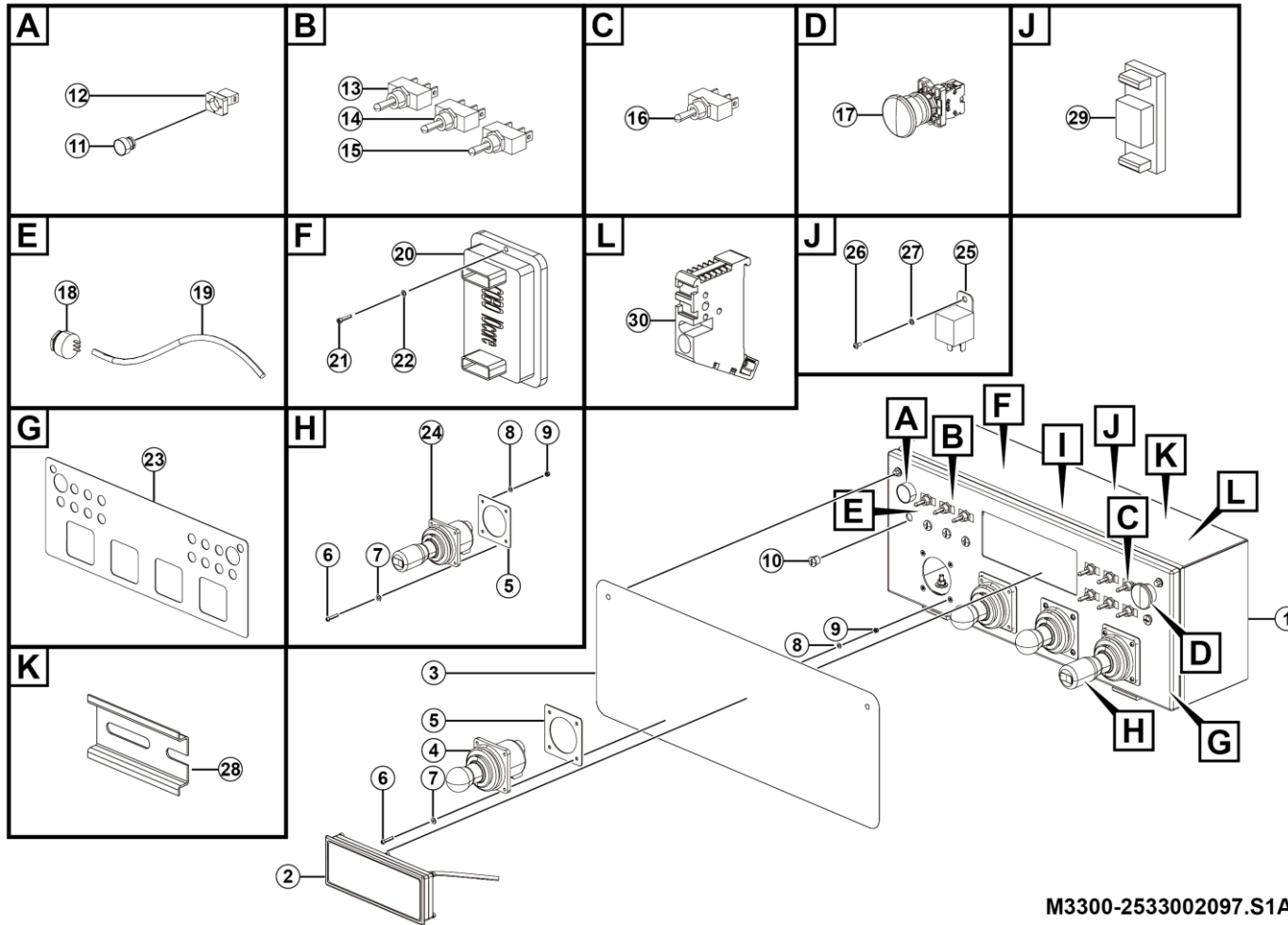
M3300-2533001594.S1C

Key	Part No.	Description	Spare parts Y/N	Qty	Remarks
1	4013010297	Nut gb889.1-m8flznyc-8-480	Y	8	
2	4015010280	Washer gb97.1-8flznyc-480	Y	8	
3	25210080381	Left bracket	N	1	
4	25210047851	Cylindrical pin, $\phi 12 \times 25$	Y	2	
5	25210037244	Welding, anti-crushing system right housing	Y	1	
6	4130705077	Proximity switch	Y	2	
7	25210080391	Right bracket	N	1	
8	25210042461	Safety bar assembly	Y	1	
9	25210037261	U-bolt m8	Y	4	
10	25210042501	Cushion block, for fixing housing	Y	4	
11	25210080401	Contact block	N	2	
12	4130702398	Led strobe (blue)	Y	2	
13	25210037234	Welding, left housing, anti-crushing system	Y	1	
14	4014010452	Screwgb/t70.3-m6*16flznyc-8.8-480	Y	8	

Anti-crushing rod assembly



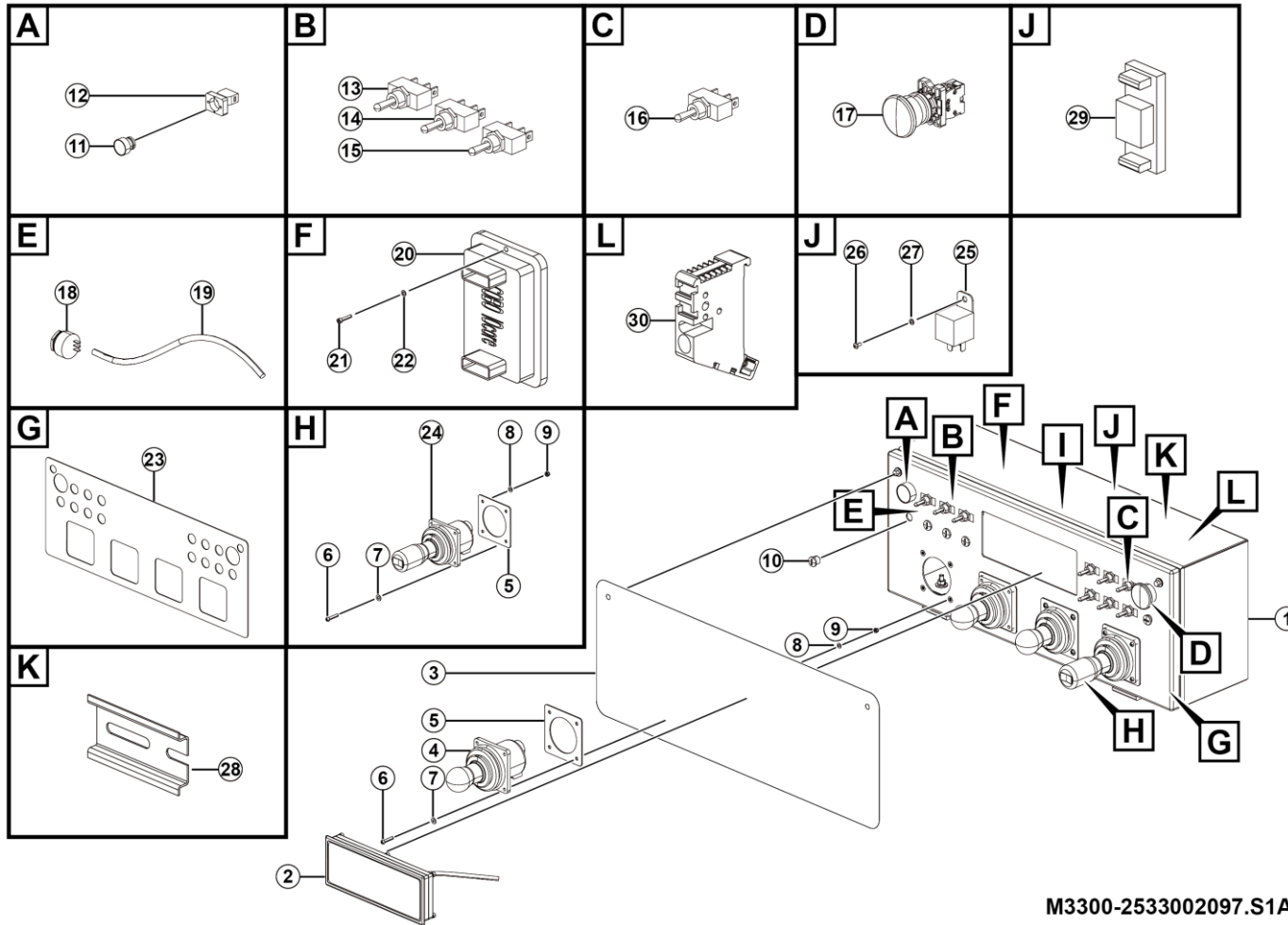
Pcu assy



M3300-2533002097.S1A

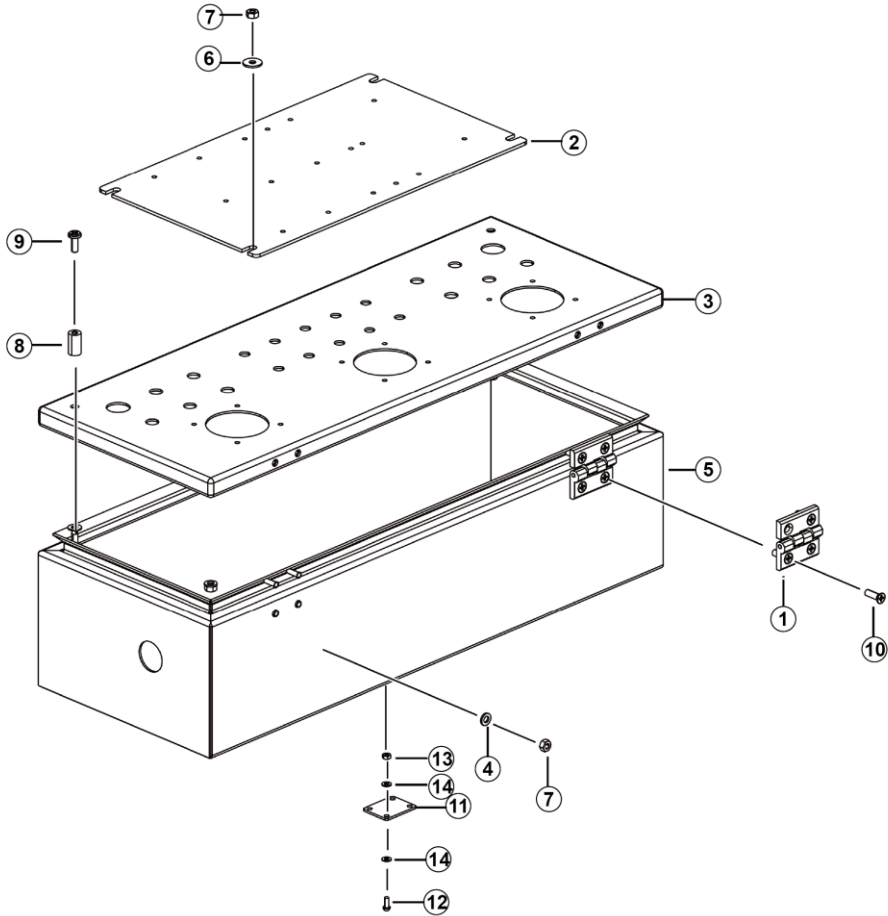
Key	Part No.	Description	Spare parts Y/N	Qty	Remarks
1	25330017431	Upr control box distribution assy	Y	1	
2	4130705173	Lamp dl-ld30g-slg	Y	1	
3	25330021092	Decal-pcu decal	Y	1	
4	4130702530	Double-axis proportional handle js1000-xy-a-snnn-tk01	Y	3	
5	25330009871	Rubber gasket	Y	4	
6	4014010121	Screw gb818-m4*20flznyc-4.8-480	Y	17	
7	4130703986	Washer	Y	17	
8	4015010290	Washer gb97.1-4flznyc-480	Y	19	
9	4013010360	Nut gb889.1-m4flznyc-8-480	Y	17	
10	4130703652	Hole plug m12*1.5 (including plug nut gasket)	Y	5	
11	4130703635	Green flat button zb2ba3c	Y	1	
12	4130703636	Contact module with base zb2bz101c	Y	1	
13	4130703629	Switch 631h-k-u282	Y	1	
14	4130703628	Switch 635h-k-u282	Y	5	
15	4130703627	Switch 637h-k-u282	Y	1	
16	4130703757	Switc h639h-k-u282	Y	2	
17	4130001280	Emergency stop switch	Y	1	
18	4130000797	Buzzer,cy-3631-24v	Y	1	
19	25330020981	Pcu harness	Y	1	
20	4130703602	Io-core	Y	1	
21	4014010133	Screw gb818-m4*16flznyc-4.8-480	Y	2	
22	4015010345	Washer gb96.1-5flznyc-480	Y	2	

Pcu assy



M3300-2533002097.S1A

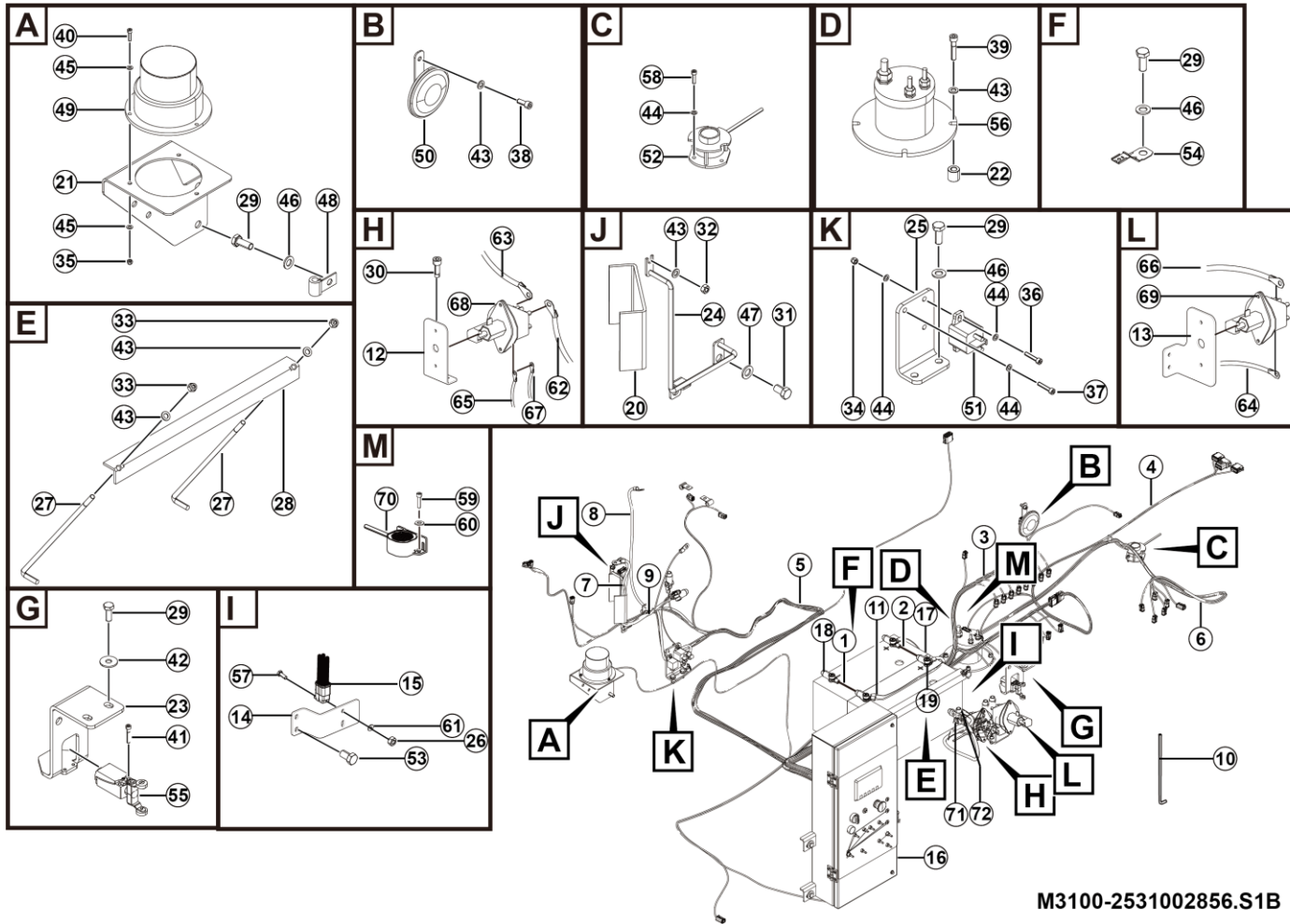
Upr control box delivered assembled



M3300-2533001743.S1A

Key	Part No.	Description	Spare parts Y/N	Qty	Remarks
1	4190706938	Hinge	Y	2	
2	25330015841	Upr control box upr cover wldmt	Y	1	
3	25330017421	Upr control box mounting plate wldmt	Y	1	
4	4015010284	Washer gb97.1-6flznyc-480	Y	2	
5	25330015731	Box weldment	Y	1	
6	4015010296	Washer gb96.1-6flznyc-480	Y	22	
7	4013010293	Nut gb6170-m6flznyc-8-480	Y	6	
8	25310014151	Bushing	Y	2	
9	4011010992	Bolt gb16674-m6*25flznyc-8.8	Y	2	
10	4011011158	Screw gb819.1-m6*16flznyc-4.8	Y	8	
11	25310014431	Mounting sealing plate	Y	2	
12	4014010125	Screw gb818-m4*10flznyc-4.8-480	Y	8	
13	4013010304	Nut gb6170-m4flznyc-8-480	Y	8	
14	4015010290	Washer gb97.1-4flznyc-480	Y	16	

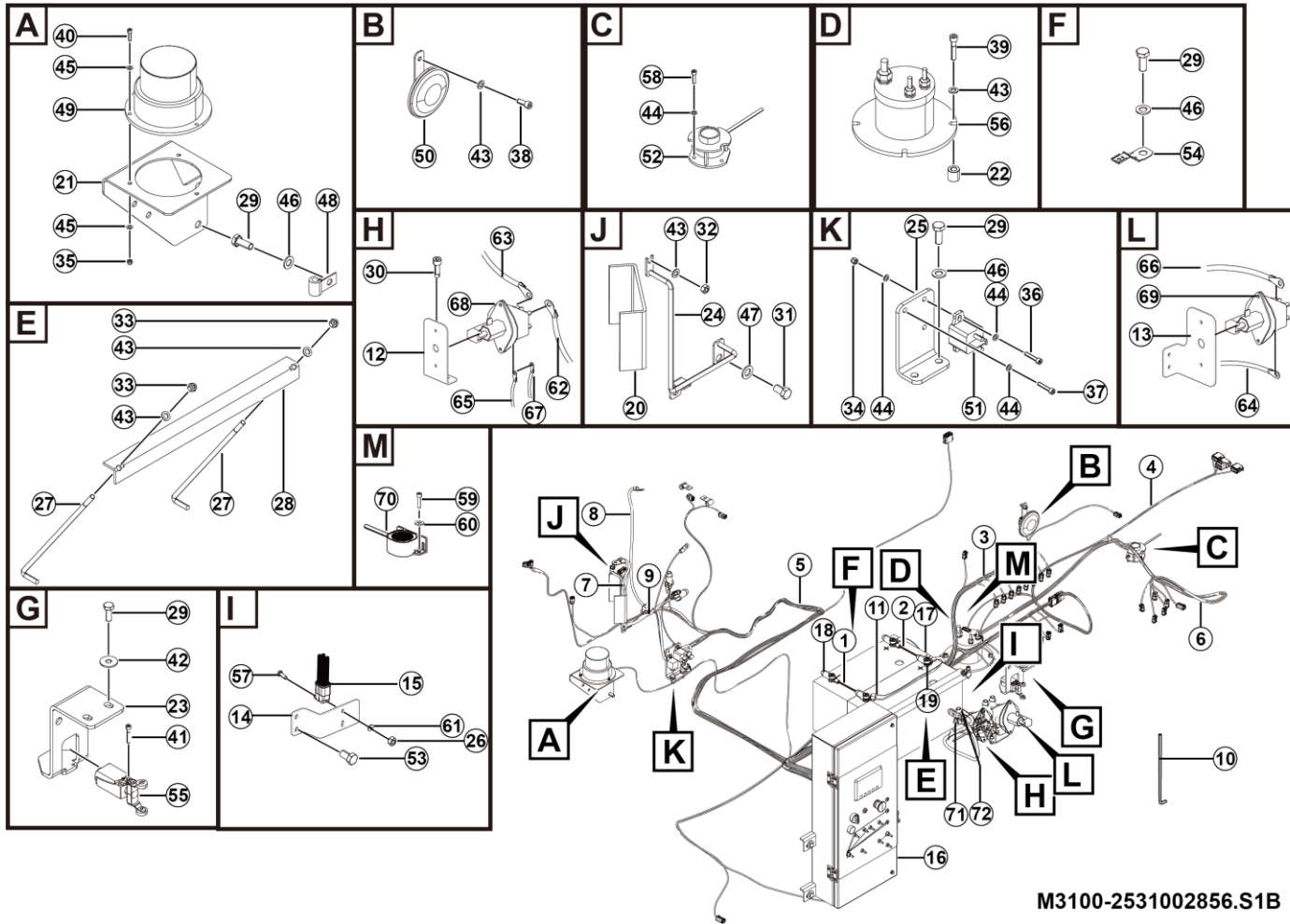
Turntable elec assy



M3100-2531002856.S1B

Key	Part No.	Description	Spare parts Y/N	Qty	Remarks
1	25310000151	Power cord p35*170, battery negative terminal to battery negative terminal	Y	1	
2	25310000161	Power cord p35*170, battery positive terminal to battery positive terminal	Y	1	
3	25310029311	Valve manifold harness	Y	1	
4	25310027231	Main harness	Y	1	
5	25310029321	Ecu harness	Y	1	
6	25310027251	Chassis harness	Y	1	
7	25310027261	Preheating power cable	Y	1	
8	25310012401	Wire	Y	1	
9	25310023581	Wire	Y	1	
10	25080001151	Clip rubber bar	Y	1	
11	4045010341	Wire	Y	1	
12	25310021581	Plate	Y	1	
13	25310029271	Power switch bracket	Y	1	
14	25310029281	Bracket	Y	1	
15	25310029331	External power cable	Y	1	
16	25310027001	Gcu assy	Y	1	
17	4130000059	Battery 6-qw-120b	Y	2	
18	26370002441	Cable sleeve	Y	4	
19	26370002451	Cable sleeve	Y	6	
20	25180018641	Heat insulation foam, engine tray	Y	1	
21	25310000901	Forming (stamping, etc.), left beacon mounting plate	Y	1	
22	25310015582	Sliding ring gasket	Y	4	

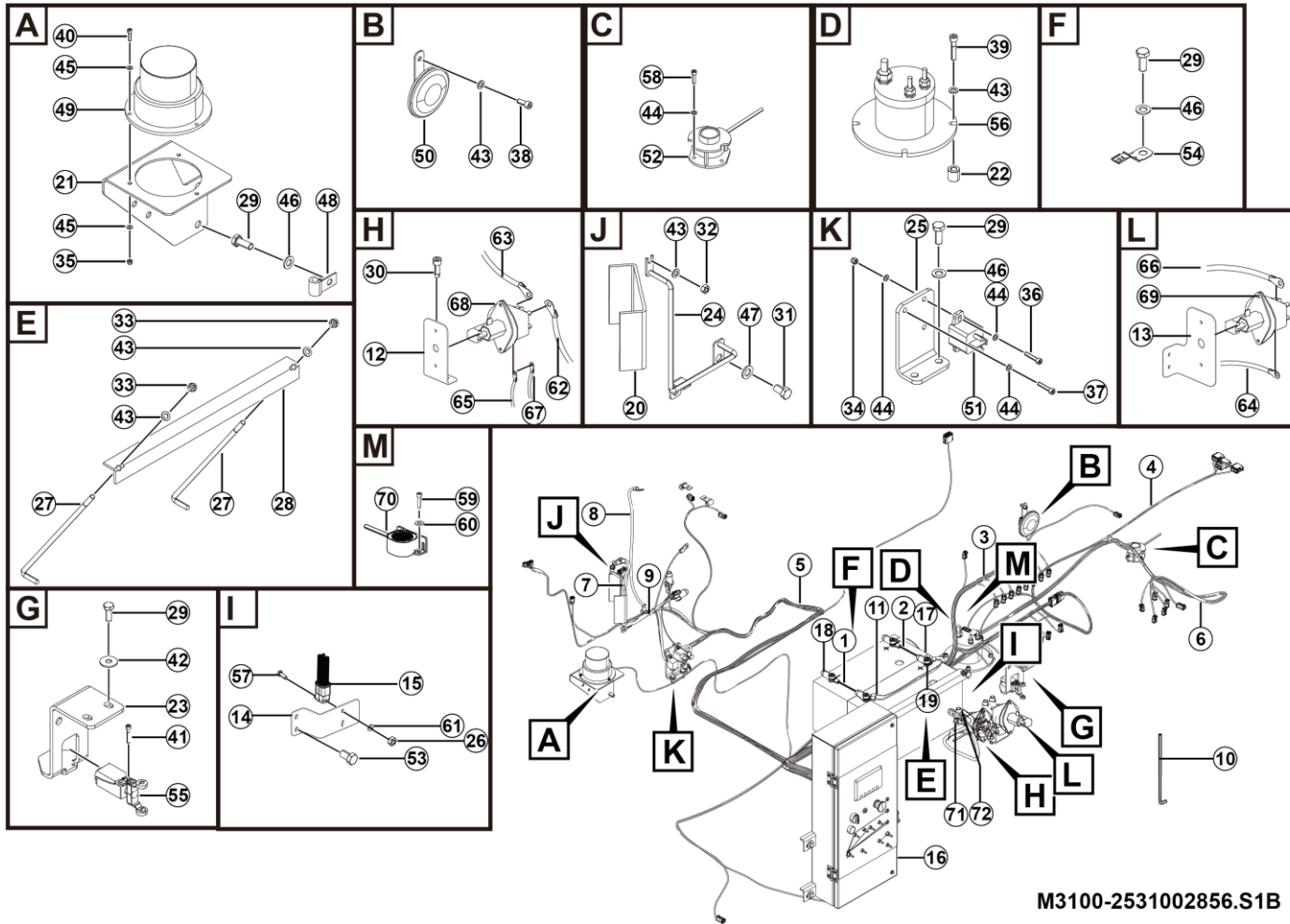
Turntable elec assy



M3100-2531002856.S1B

Key	Part No.	Description	Spare parts Y/N	Qty	Remarks
23	25310023231	Limit switch mounting plate	Y	1	
24	25310024101	Plate	Y	1	
25	25310026772	Plate	Y	1	
26	4013010300	Nut gb889.1-m6flznyc-8-480	Y	1	
27	25320001321	Threaded rod, m8	Y	2	
28	25320001381	Weldment, locking angle steel,	Y	1	
29	4011010722	Bolt gb5783-m10*25flznyc-8.8-480	Y	7	
30	4011010908	Screw gb70.1-m8*25flznyc-8.8-480	Y	2	
31	4011011631	Bolt gb5786-m12*1.25*20flznyc-8.8-480	Y	1	
32	4013010291	Nut gb6170-m8flznyc-8-480	Y	1	
33	4013010297	Nut gb889.1-m8flznyc-8-480	Y	4	
34	4013010305	Nut gb889.1-m5flznyc-8-480	Y	3	
35	4013010360	Nut gb889.1-m4flznyc-8-480	Y	3	
36	4014010113	Screw gb70.1-m5*25flznyc-8.8	Y	2	
37	4014010122	Screw gb70.1-m5*20flznyc-8.8-480	Y	7	
38	4014010246	Screw gb70.1-m8*20flznyc-8.8-480	Y	1	
39	4014010420	Screw gb70.1-m8*40flznyc-8.8-480	Y	4	
40	4014010422	Screw gb70.1-m4*16flznyc-8.8-480	Y	3	
41	4014010433	Screw	Y	2	
42	4015010278	Washer gb96.1-10flznyc-480	Y	2	
43	4015010280	Washer gb97.1-8flznyc-480	Y	12	
44	4015010283	Washer gb97.1-5flznyc-480	Y	12	

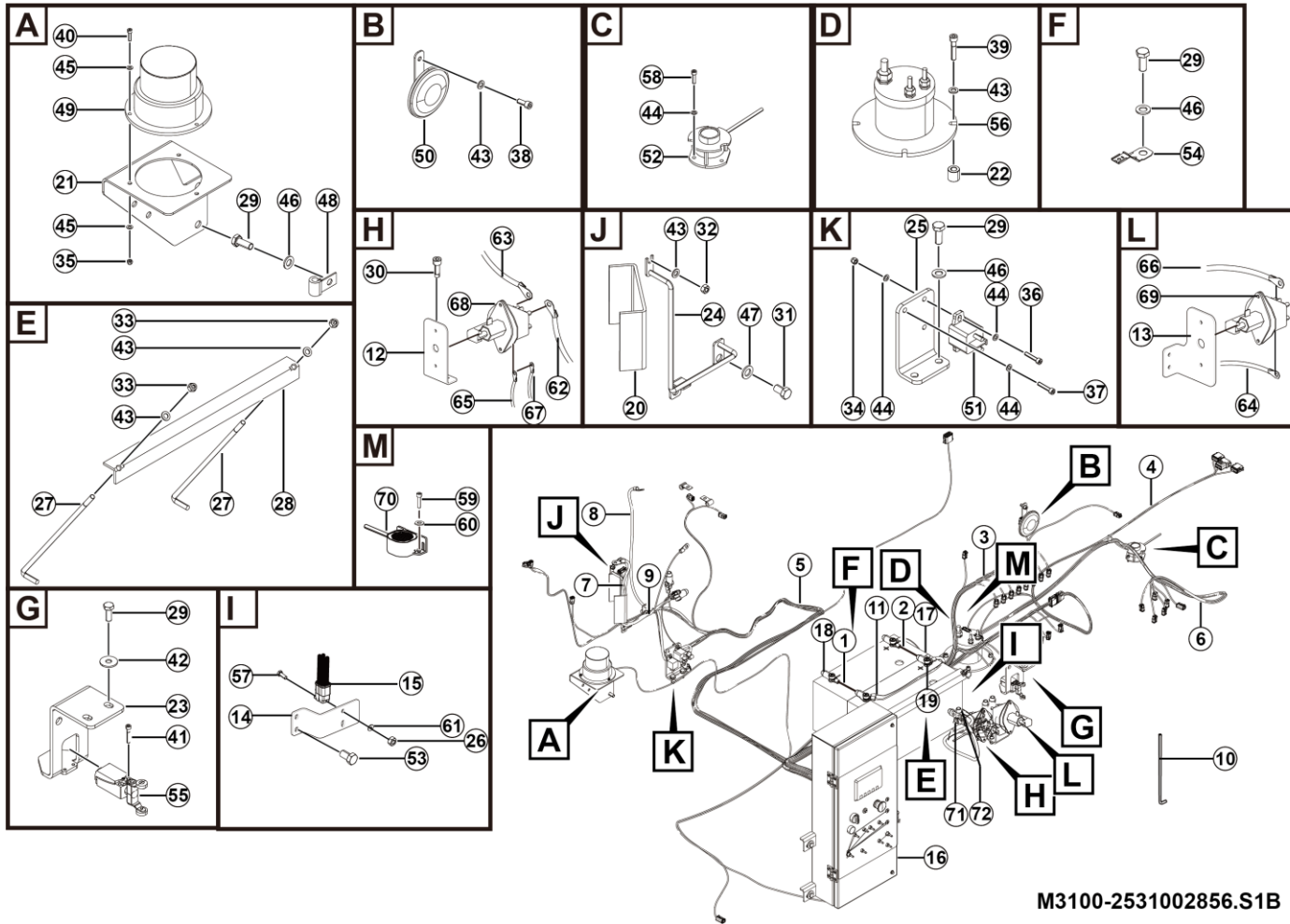
Turntable elec assy



M3100-2531002856.S1B

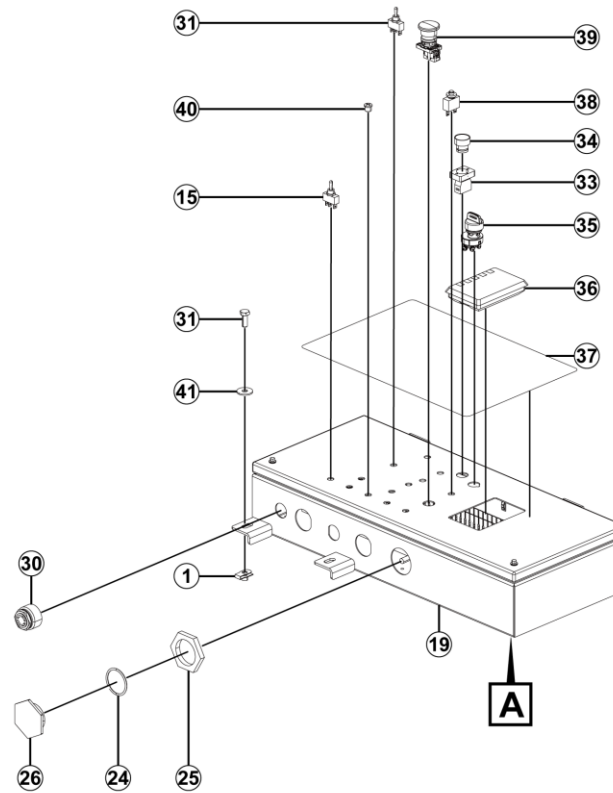
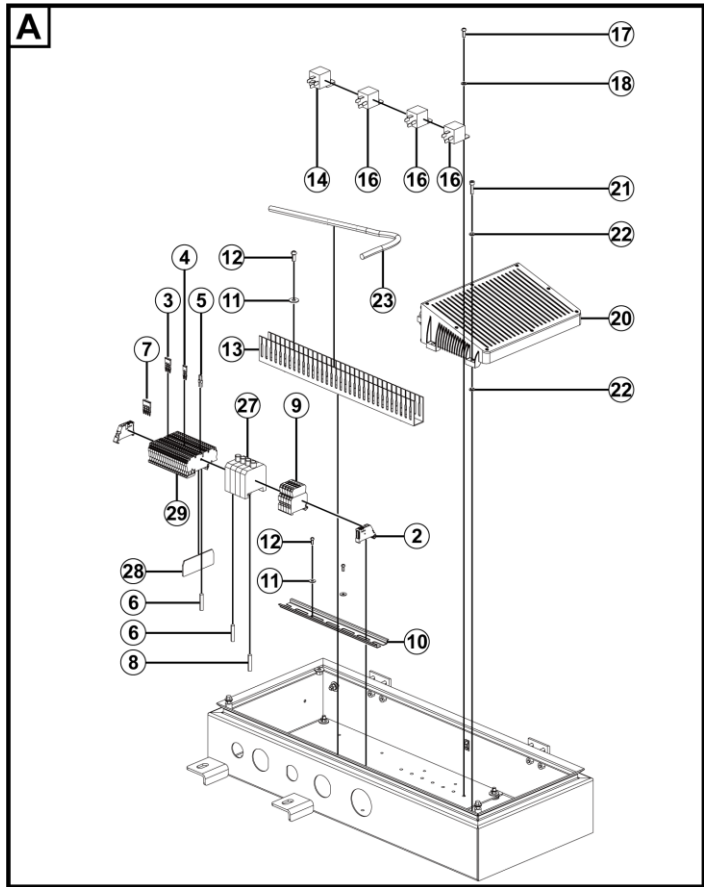
Key	Part No.	Description	Spare parts Y/N	Qty	Remarks
45	4015010290	Washer gb97.1-4flznyc-480	Y	6	
46	4015010339	Washer gb97.1-10flznyc-300hv-480	Y	5	
47	4015010340	Washer gb97.1-12flznyc-300hv-480	Y	1	
48	4041010597	Clamp lgb169-a10*10	Y	3	
49	4130000974	Alarm lamp	Y	1	
50	4130001029	Horn dc12v	Y	1	
51	4130701399	Relay	Y	1	
52	4130701536	Tilt sensor wsa0889a	Y	2	
53	4014010243	Screw gb70.1-m8*16flznyc-8.8-480	Y	1	
54	4130702665	Dt mounting clips	Y	1	
55	4130703141	Limit switch	Y	1	
56	4130705088	Conductive silp ring	Y	1	
57	4014010252	Screwgb70.1-m6*35flznyc-8.8-480	Y	2	
58	4014010357	Screw gb70.1-m5*12flznyc-8.8-480	Y	3	
59	4014010389	Screw gb70.1-m6*16flznyc-8.8	Y	1	
60	4015010284	Washer gb97.1-6flznyc-480	Y	1	
61	4015010296	Washer gb96.1-6flznyc-480	Y	1	
62	4045010126	Wire lzb003 c8*10*570*1.4	Y	1	
63	4045010128	Wire lzb003 c8*10*700*1.4-r	Y	1	
64	4045010363	Wire	Y	1	
65	4045010424	Wire lzb003 d10*550*1.8-r	Y	1	
66	4045010483	Power cable lzb003 d8*10*3560*1.8-r	Y	1	

Turntable elec assy



M3100-2531002856.S1B

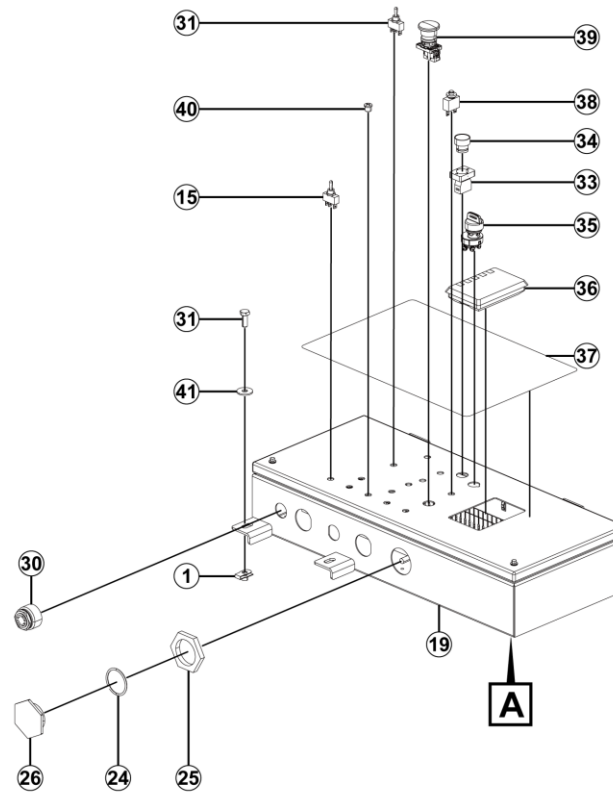
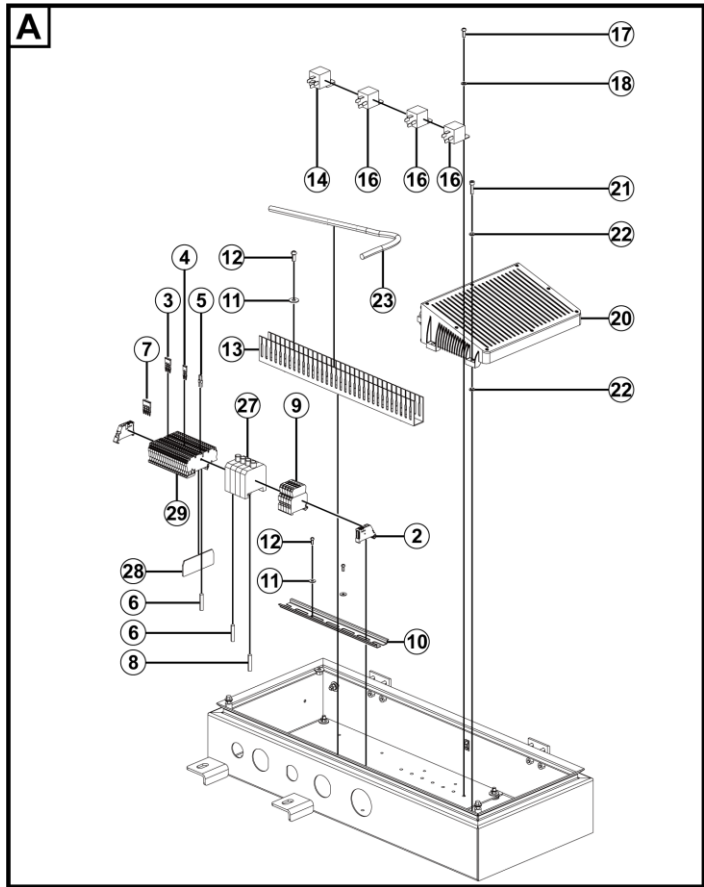
Gcu assy



M3100-2531002700.S1B

Key	Part No.	Description	Spare parts Y/N	Qty	Remarks
1	4013010370	Reed nut qc339-m10flznyc-8-480	Y	4	
2	4130703605	Terminal fastener ew35	Y	2	
3	4130704149	Shorting piece	Y	1	
4	4130703609	Short-circuit connector zqv 2.5/2	Y	3	
5	25310012721	120 ω resistor	Y	2	
6	4130703647	Fuse	Y	2	
7	4130704148	Shorting piece	Y	1	
8	4130703643	Fuse 5a-1/4*1-1/4	Y	1	
9	4130703606	Diode terminal sakrd-35-ds-4007	Y	2	
10	4130704158	Terminal blocks	Y	1	
11	4015010365	Washer gb96.1-4flznyc-300hv-480	Y	6	
12	4014010125	Screw gb818-m4*10flznyc-4.8-480	Y	6	
13	4130704164	Wire cage	Y	2	
14	4130001188	Relay	Y	1	
15	4130703628	Switch 635h-k-u282	Y	2	
16	4130703632	Relay 896h-1ah-c1s 12vdc	Y	8	
17	4014010108	Screw gb818-m5*14flznyc-4.8-480	Y	9	
18	4015010283	Washer gb97.1-5flznyc-480	Y	9	
19	25310022451	Gcu delivered assembled	Y	1	
20	4130703601	Boom controller mc2m	Y	1	
21	4014010122	Screw gb70.1-m5*20flznyc-8.8-480	Y	4	
22	4130704250	Insulation sheath	Y	8	

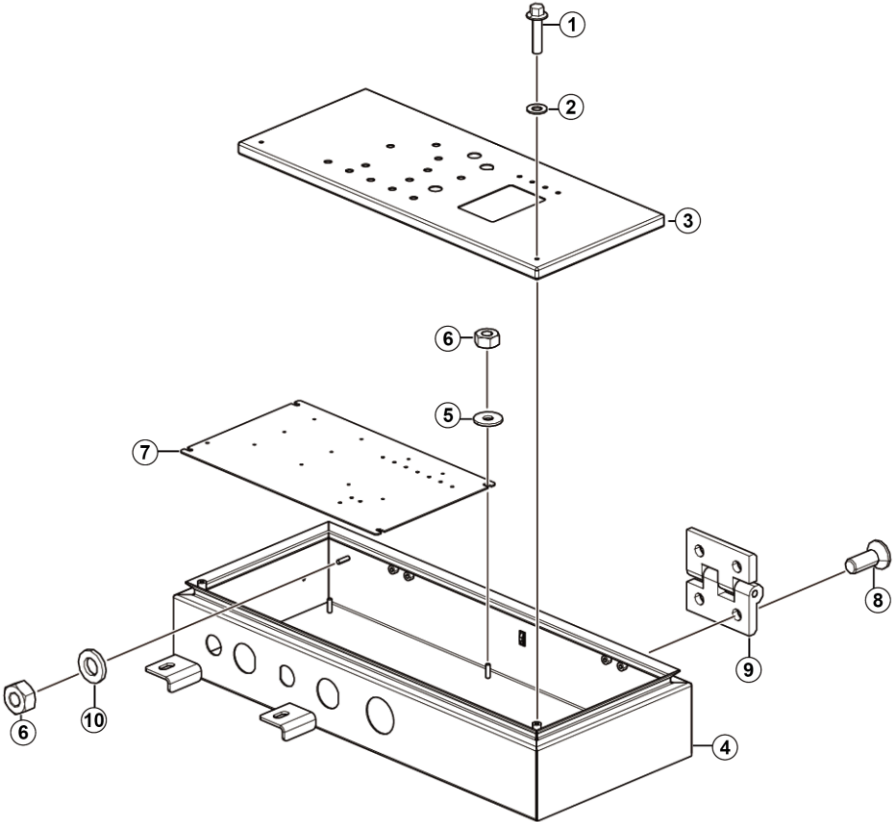
Gcu assy



M3100-2531002700.S1B

Key	Part No.	Description	Spare parts Y/N	Qty	Remarks
23	25310027011	Gcu harness	Y	1	
24	4030000130	O-ring gb3452.1-47.5*3.55g	Y	1	
25	25310017921	Honr	Y	1	
26	25310017901	Time plug	Y	1	
27	4130703614	Fuse terminal saks 3	Y	3	
28	4130703771	Partition zap/tw 3	Y	1	
29	4130703608	Connecting terminal zdu2.5/4an	Y	16	
30	4130000797	Buzzer,cy-3631-24v	Y	1	
31	4011010722	Bolt gb5783-m10*25flznyc-8.8-480	Y	4	
32	4130703627	Switch 637h-k-u282	Y	7	
33	4130703636	Contact module with base zb2bz101c	Y	1	
34	4130703635	Green flat button zb2ba3c	Y	1	
35	4130000723	Key switch (key code 4130000723001)	Y	1	
36	4130703603	Display panel canview4	Y	1	
37	25310027022	Decal-gcu decal	Y	1	
38	4130703641	Overcurrent protector 88-10a (with waterproof cap)	Y	1	
39	4130001280	Emergency stop switch	Y	1	
40	4130703652	Hole plug m12*1.5 (including plug nut gasket)	Y	3	
41	4015010278	Washer gb96.1-10flznyc-480	Y	4	

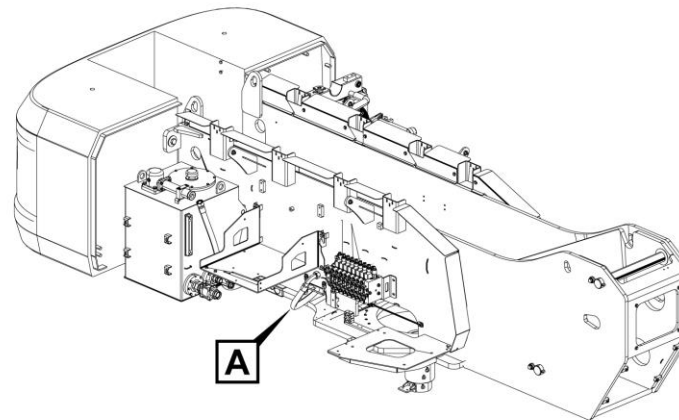
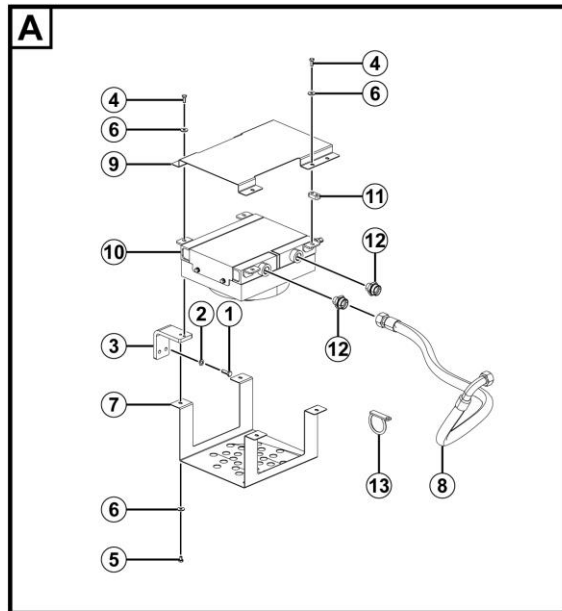
Gcu delivered assemble



M3100-2531002245.S1B

Key	Part No.	Description	Spare parts Y/N	Qty	Remarks
1	4011010992	Bolt gb16674-m6*25flznyc-8.8	Y	2	
2	25310014151	Bushing	Y	2	
3	25310022461	Gcu upr cover plate wldmt	Y	1	
4	25310015501	Weldment,lower control casing	Y	1	
5	4015010296	Washer gb96.1-6flznyc-480	Y	18	
6	4013010293	Nut gb6170-m6flznyc-8-480	Y	6	
7	25310013371	Lower control parts mounting plate	Y	1	
8	4014010452	Screwgb/t70.3-m6*16flznyc-8.8-480	Y	8	
9	4190706938	Hinge	Y	2	
10	4015010284	Washer gb97.1-6flznyc-480	Y	2	

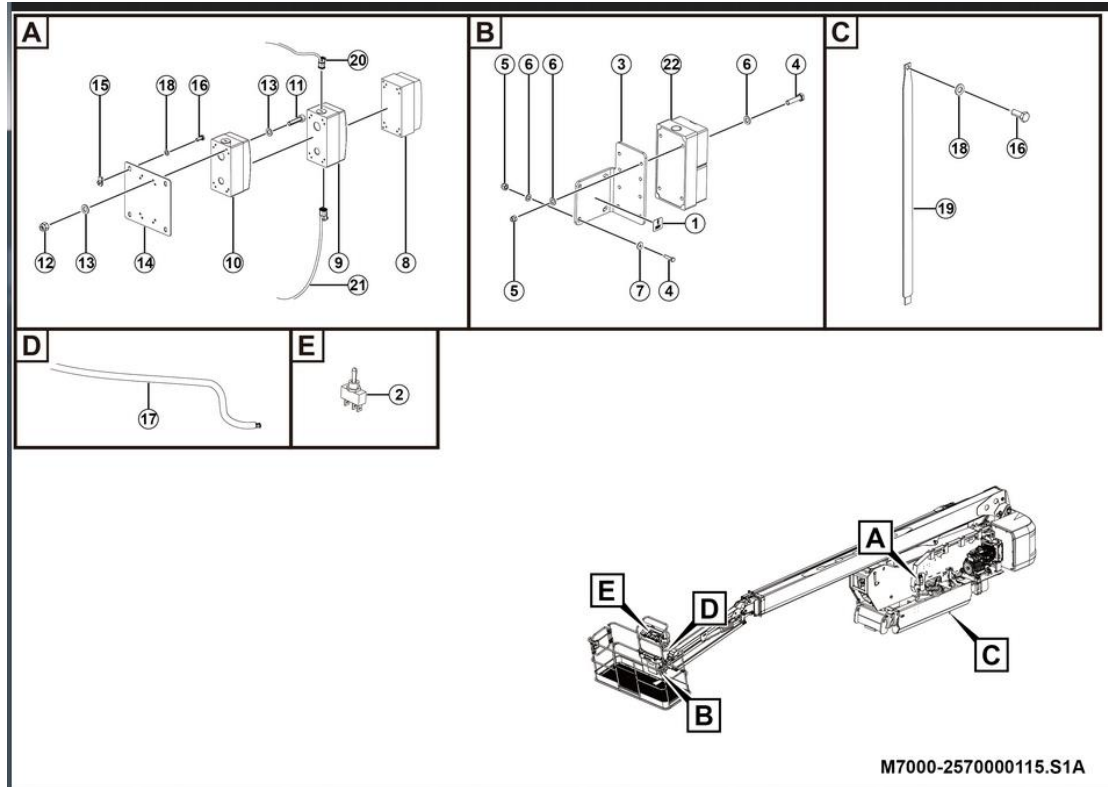
Hyd oil cooler assy



M0300-2503000126.S1B

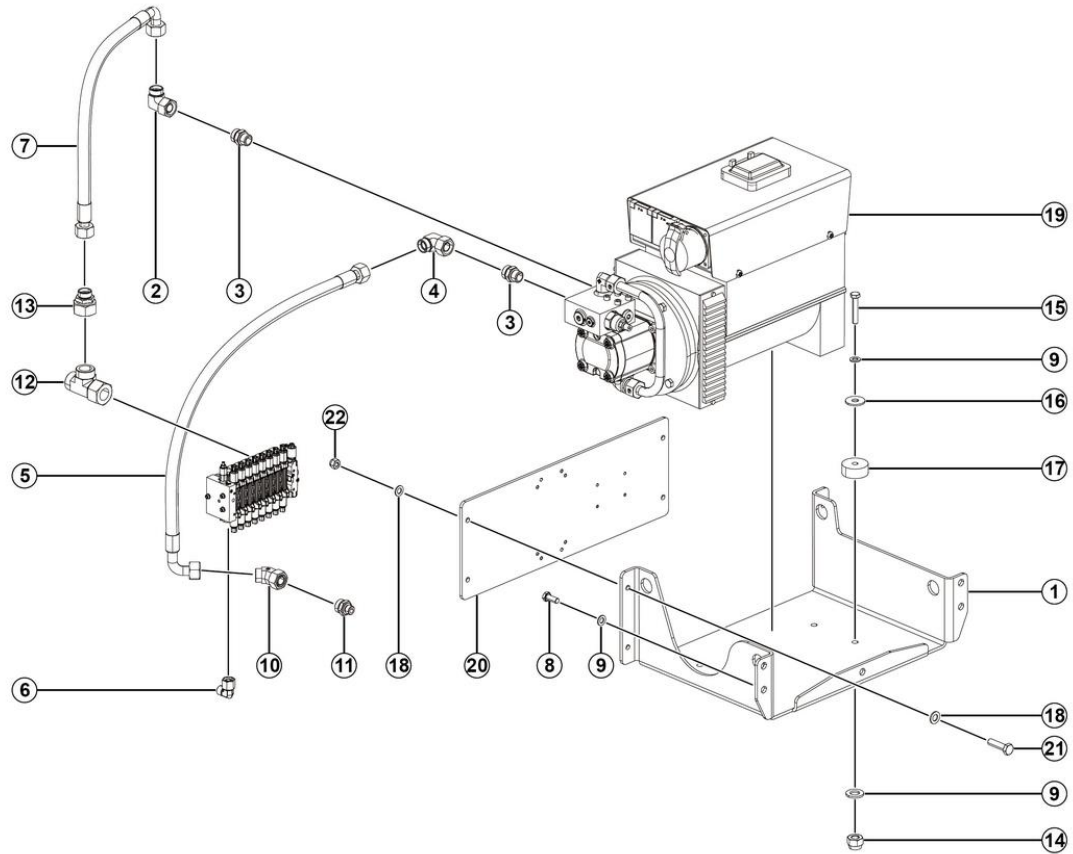
Key	Part No.	Description	Spare parts Y/N	Qty	Remarks
1	4011010707	Bolt gb5783-m10*30flznyc-8.8-480	Y	6	
2	4015010339	Washer gb97.1-10flznyc-300hv-480	Y	6	
3	25030001231	Mounting plate	Y	3	
4	4011010711	Bolt gb5783-m8*20flznyc-8.8-480	Y	4	
5	4011010746	Bolt gb5783-m8*12flznyc-8.8-480	Y	4	
6	4015010289	Washer gb96.1-8flznyc-480	Y	8	
7	25030001211	Shield	Y	1	
8	4120713209	Hose osd150cacf282816-1450	Y	1	
9	25030001221	Guard	Y	1	
10	4120713773	Hyd oil cooler assy m9117196	Y	1	
11	25030001271	Mounting plate 40*20*12	Y	1	
12	4120704907	Fitting ge28lr3/4edomdcf	Y	2	
13	25120001961	Welding round ring	Y	1	

6.5kw hyd generator assy ar24j (as)



Key	Part No.	Description	Spare parts Y/N	Qty	Remarks
1	25340018031	Label - warning, power to platform	Y	1	
2	4130703629	Switch 631h-k-u282	Y	1	
3	25210064681	Industrial socket mounting plate	Y	1	
4	4011010731	Bolt gb5783-m6*25flznyc-8.8-480	Y	8	
5	4013010300	Nut gb889.1-m6flznyc-8-480	Y	8	
6	4015010284	Washer gb97.1-6flznyc-480	Y	11	
7	4015010296	Washer gb96.1-6flznyc-480	Y	5	
8	4130701801	Circuit breaker ic65n	Y	1	
9	4130701802	Residual current operated protective accessory vigi ic65	Y	1	
10	4130701803	Fuse box 56cb1-4n	Y	1	
11	4014010122	Screw gb70.1-m5*20flznyc-8.8-480	Y	4	
12	4013010305	Nut gb889.1-m5flznyc-8-480	Y	4	
13	4015010283	Washer gb97.1-5flznyc-480	Y	8	
14	25230008972	Leakage protector mounting plate	Y	1	
15	4013010370	Reed nut qc339-m10flznyc-8-480	Y	4	
16	4011010722	Bolt gb5783-m10*25flznyc-8.8-480	Y	5	
17	25700001181	Platform power cable (aus) 21500	Y	1	
18	4015010339	Washer gb97.1-10flznyc-300hv-480	Y	5	
19	25320023732	Wire	Y	1	
20	25700001221	Power cord for hydraulic (ce) 4000	Y	1	
21	25330021141	Platform power cable 2	Y	1	
22	4130702374	Device plug	Y	1	

Hyd generator module 6.5kw



M7200-2572000113.S1A

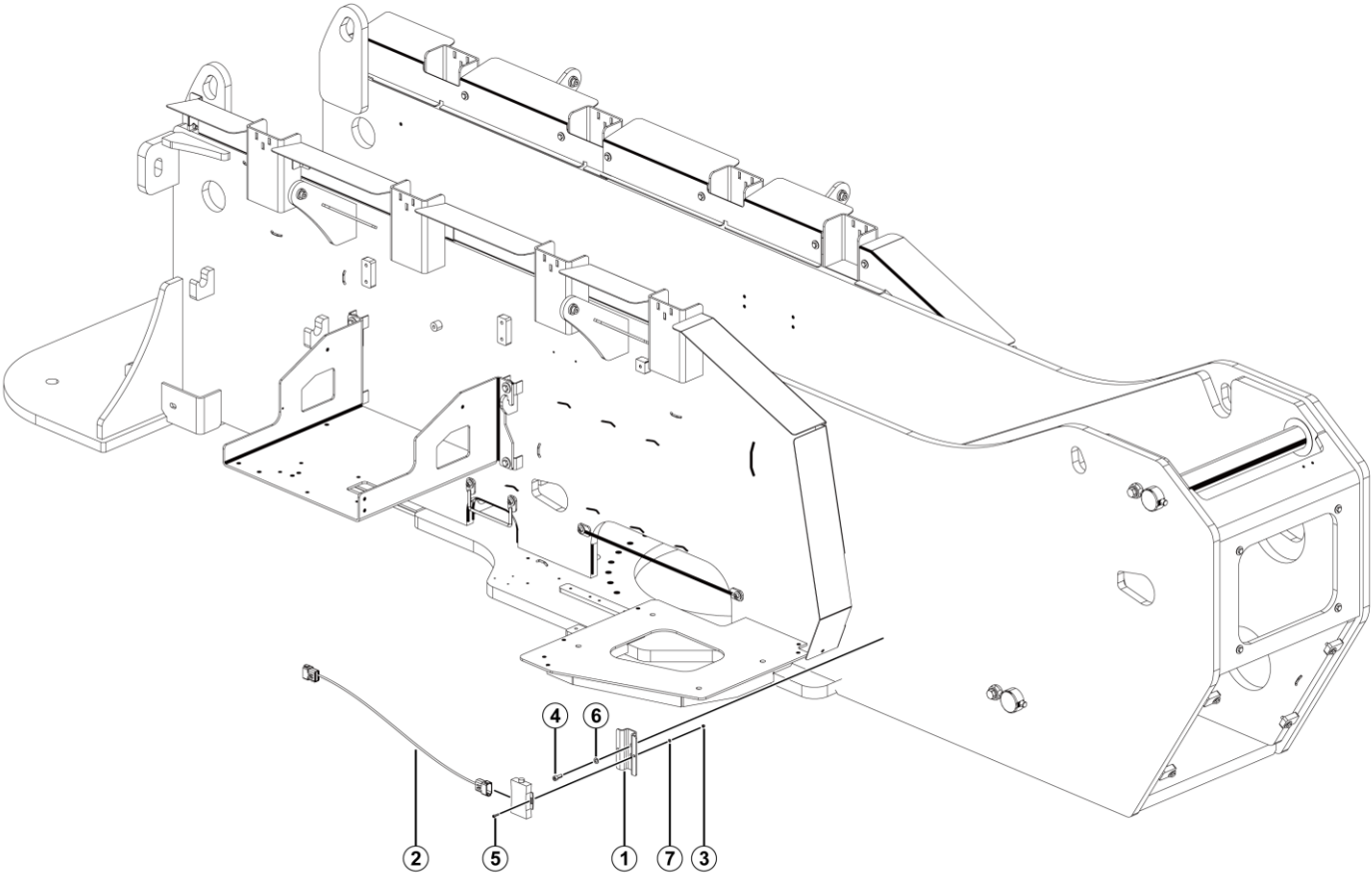
Key	Part No.	Description	Spare parts Y/N	Qty	Remarks
1	25720001141	Generator mounting plate	Y	1	
2	4120707021	Combination fitting ew18lomdcf	Y	1	
3	4120707639	Fitting ge18lredomda3c	Y	2	
4	4129900311	Nipple	Y	1	
5	4120713762	Hose f471tccacf181810-850	Y	1	
6	4129900314	Fitting ew12lomda3c	Y	1	
7	4120713796	Hose f481cacf181810-580	Y	1	
8	4011010722	Bolt gb5783-m10*25flznyc-8.8-480	Y	5	
9	4015010339	Washer gb97.1-10flznyc-300hv-480	Y	13	
10	4120708568	Joint ev18lomdcf	Y	1	
11	4120708888	Joint	Y	1	
12	4120705580	Joint	Y	1	
13	4120710470	Joint red28/18lomdcf	Y	1	
14	4013010296	Nut gb889.1-m10flznyc-8	Y	4	
15	4011010741	Bolt gb5782-m10*55flznyc-8.8-480	Y	4	
16	4015010286	Washer gb96.1-12flznyc-480	Y	4	
17	25070005241	Anti-shack pad,to make hydraulic engine fixed	Y	4	
18	4015010280	Washer gb97.1-8flznyc-480	Y	8	
19	4120709196	Generator hg6.5e-e400st23-34-vf	Y	1	
20	25230023651	Plate	Y	1	
21	4011010708	Bolt gb5783-m8*30flznyc-8.8-480	Y	4	
22	4013010297	Nut gb889.1-m8flznyc-8-480	Y	4	

O
GPS SYSTEM



LINGONG HEAVY MACHINERY CO., LTD.

Gps system



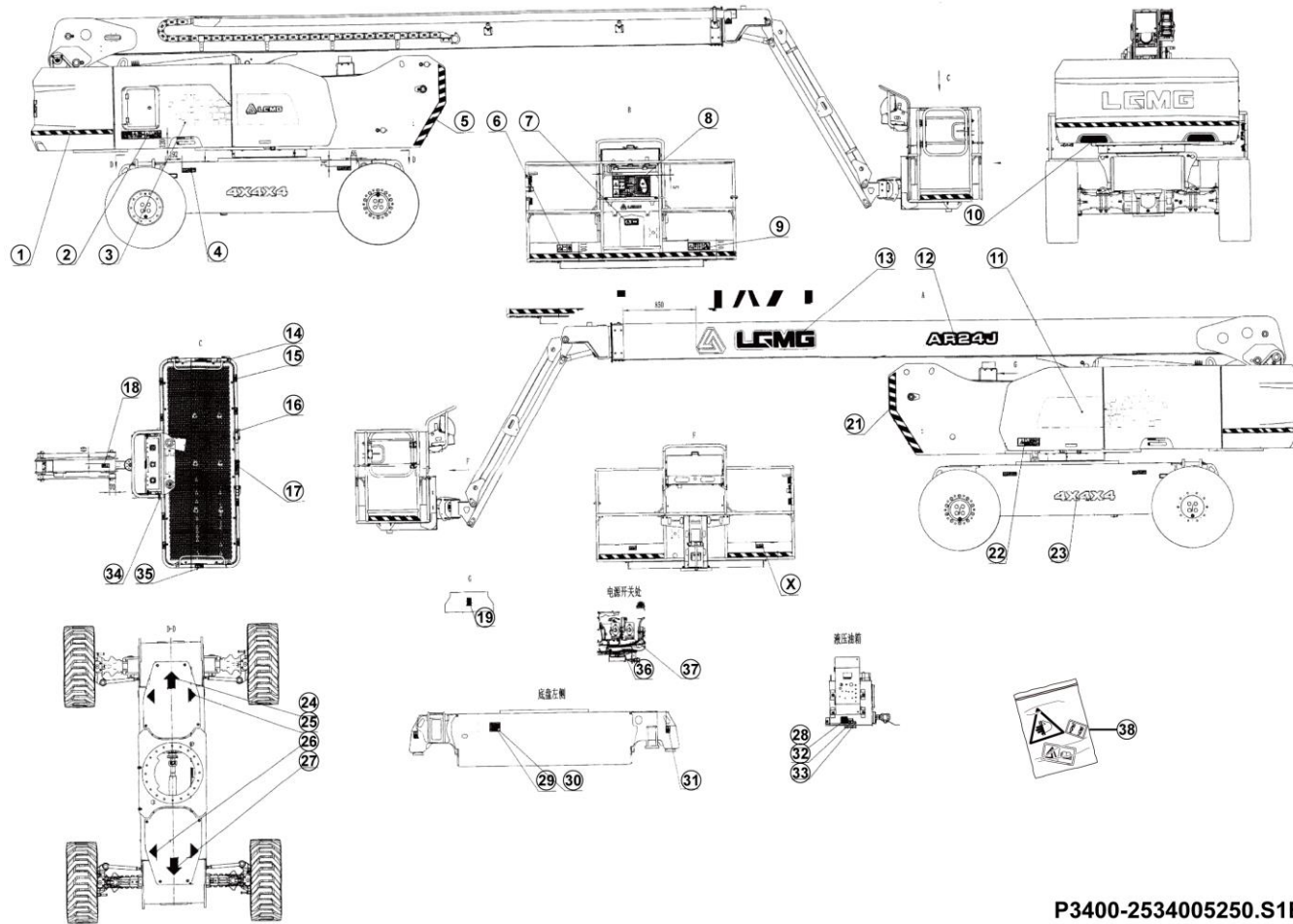
O3600-2536000555.S1B

P
SIGN AND LOGO



LINGONG HEAVY MACHINERY CO., LTD.

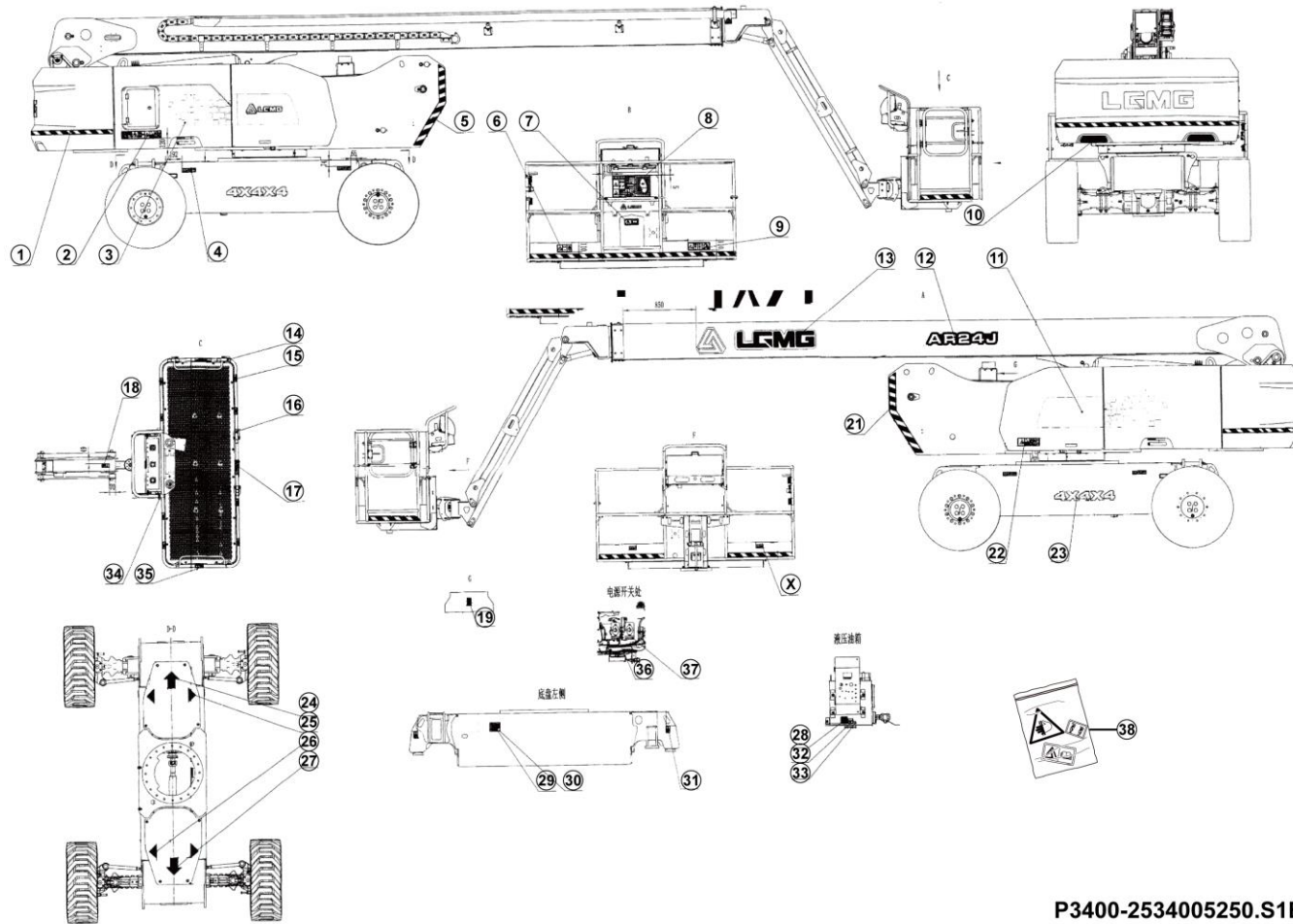
Logo and decal



P3400-2534005250.S1B

Key	Part No.	Description	Spare parts Y/N	Qty	Remarks
1	25340000241	Decal-warning line	Y	8	
2	25340040361	Decal-model on hood (ar24je)	Y	1	
3	25340001941	Decal-group logo-left	Y	1	
4	25340039831	Decal-wheel load 10500kg	Y	4	
5	25340040491	Decal-turntable rr	Y	1	
6	25340000371	Decal-outdoor manual force	Y	1	
7	25340015421	Decal-pay attention to the instructions	Y	1	
8	25340056031	Decal-platform decal	Y	1	
9	25340040471	Decal-double load decal 350kg/250kg	Y	1	
10	25340026571	Decal	Y	2	
11	25340001951	Decal-group logo-right	Y	1	
12	25340048681	Decal-model ar24j	Y	1	
13	25340032411	Decal	N	1	
14	25340018091	Decal-scratch proof	Y	4	
15	25340000171	Decal - lanyard anchorage point	Y	8	
16	25340002481	Decal-scratch proof	Y	4	
17	25340000361	Decal-lower the lifting lever	Y	2	
18	25340011801	Decal-fall protection	Y	1	
19	25340000431	Decal-crushing protection	Y	1	
20	25340015441	Decal - warning, keep away from machine	Y	2	
21	25340040501	Decal-turntable rr i	Y	1	
22	25340038941	Decal-lh hood ar18je	Y	1	

Logo and decal



P3400-2534005250.S1B

Key	Part No.	Description	Spare parts Y/N	Qty	Remarks
23	25340031431	Decal	Y	2	
24	25340000532	Decal-arrow	Y	1	
25	25340000502	Decal-arrow	Y	2	
26	25340000512	Decal-arrow	Y	2	
27	25340000522	Decal-arrow	Y	1	
28	25340019951	Decal-hydraulic oil	Y	1	
29	25340037421	Decal	Y	1	
30	4019000059	Rivet gb12618-3*10	Y	4	
31	25340038521	Decal	Y	4	
32	25340042011	Decal	Y	1	
33	25340042181	Decal	Y	1	
34	25340036411	Decal	Y	1	
35	25340034781	Decal	Y	3	
36	25340037451	Decal	Y	1	
37	25340037461	Decal	Y	1	



Q
TOOL KIT



LINGONG HEAVY MACHINERY CO., LTD.

Schematic diagram

