

SR1623D AERIAL WORK PLATFORM PARTS CATALOG



LINGONG GROUP JINAN HEAVY MACHINERY CO., LTD.

Spare parts and services

For the owner of the machines of LGMG, only the spare parts and services of LGMG can make your machine to better maintain the original features.

Only LGMG is able to provide you with the perfect match of pure quality spare parts for your machine and knowledge of professional maintenance staff. Only in this way it can ensure sustainable high productivity and longer service life.

SR1623D AERIAL WORK PLATFORM PARTS CATALOG

2014-11 Version 1 Printed 1

LINGONG GROUP JINAN HEAVY MACHINERY CO., LTD.

Add: Zhongrun Century Square, No. 13777, Jingshi Road, Lixia, Jinan, Shandong, P.R. China

Tel: 86-0531-81663345

Fax: 86-0531-81666853

Web: WWW.LGMG.COM.CN

FOREWORD

This parts catalog of SR1623D aerial work platform is made for the convenience of users to use, repair and maintain the machine, which can be referred in the process of using. It can also help the users to be familiar with the structure and assembly relation of the machine. Parts of the engine are showed in details in its structure handbook, which are no longer contained in the catalog.

The catalog identifies drawings and assembly relations of different parts according to the system. Components which can not be taken apart, such as welding parts or riveted assemblies, are marked only by their code without the list of their consisting parts. The list in the catalog is arranged in Chinese and English.

This catalog is based on the SR1623D standard product, which can be a reference for the other nonstandard products, for more information, please consult LGMG, the local dealer or LinGong website. With the advancement of technology, we will keep on improving the product, so some content in the catalog may be inconsistent with the future products, which will not notice the users. When ordering the spare parts, please be kindly inform us the manufacturing date and serial number of the machine.

THE COMPILER
2013.6

CONTENTS

A. Diesel engine system	BoM Reference	Page
Engine assembly	A0100-2501000998.S1A	10
Engine mount assembly	A0100-2501000969.S	12
Fule system	A0100-2501000972.S1C1	14
Fuel water separator assembly	A0100-4110702736	18
Engine transmission system	A0100-2501000978.S1A	20
Engine platform assembly	A0100-2501000992.S1F	22
Tow assembly	A0100-2501000107.S1A	26
Welding plate	A0100-2501001739.S	28
Engine intake system	A0100-2501001002.S	30
Exhaust system	A0100-2501001029.S1B1	32
Engine cooling system	A0100-2501001753.S	34
Fuel tank assembly	A0200-2502000028.S1E	36
Rotational molding fuel tank assembly lg02-ryx-001	A0200-4110703110	38
Oil cooler system	A0300-2503000024.S1B	40
Hydraulic oil radiator m9115052	A0300-4120704832	42
B. Axle system	BoM Reference	Page
Front axle assembly	B0400-2504000387.S1C	46
Tire assembly	B0400-4110702398	50
Rear axle assembly	B0500-2505000016.S1E	52
Floatingfunction replace module	B0400-2511000073.S1C	54

D. Chassis system	BoM Reference	Page
Chassis assembly	D0700-2516001687.S1B	58
Plate	D0800-2518001521.S1B	60
Box	D0800-2518001512.S2B	62
Box assembly	D0800-2518001513.S2B	64
Bracket	D1000-2514000001.S1B1-	68
E. Brake system	BoM Reference	Page
Service brake assembly	E1100-2506000098.S1A	74
G. Scissor assy installation assembly	BoM Reference	Page
Scissor assy installation	G1300-2520003500.S1B	78
Pipe support plate assembly	G1300-2520000329.S	82
Pipe support plate assembly	G1300-2520000330.S	84
Slider assembly	G1300-2520000317.S1A	86
Tie rod assembly	G1300-2520000318.S	88
Protective arm assembly	G1300-2520000320.S1B	90
I. Cover accessory	BoM Reference	Page
Closure accessory	I1700-2529001045.S	94

K. Platform assembly	BoM Reference	Page
Platform assembly	K2100-2521005027.S	98
Front extension platform assembly	K2102-2521002544.S1C	100
Rear extension platform assembly	K2101-2521002538.S1C	106
Main platform	K2100-2521005026.S	112
Pcu bracket weldment	K2100-2521005615	118

L. Hydraulic system	BoM Reference	Page
Distribution assembly of hydraulic oil tank	L2200-2510000604	122
Hydraulic oil tank	L2200-2510000603	124
Drive hydraulic assembly	L2300-2507000593.S1C1	126
Output planetary gear assembly	L2300-4120704497074	130
Input brake disc assembly	L2300-4120704497011	132
Reducer 7hpg01fzz30048b	L2300-4120704497	134
Input clutch assembly-7hp	L2400-4120704497010	136
Main shaft assembly	L2300-4120704497012	138
End cap assembly 7hp	L2300-4120704497014	140
Input carrier assembly 7hp	L2300-4120704497013	142
Traveling hydraulic system layout diagram assembly	L2300-2507000596.S1B1	144
Front motor pipe assembly	L2300-2507000597.S1C	150
Driver pump	L2300-4120001425	154
High-pressure filter kglb-0080005I	L2300-4120001428	162

Drive motor	L2300-4120001570	164
Gear pump	L2300-4120001574	168
Pipeline filter kgl-0100005l	L2300-4120704833	170
Travel control valvest5196-ab00	L2300-4120704891	172
Steer cylinder 50*25*301*540	L2300-4120706355	174
Lift control valve st5195-ab00	L2400-4120704890	176
Hydraulic lifting assembly	L2400-2508000484.S1C	178
Upper lift cylinder	L2400-4120703565	180
Lower lift cylinder	L2400-4120703566	182
Lower lift cylinder control valve st5197-ab00	L2400-4120704892	184
Upper lifting cylinder control valve st5198-ab00	L2400-4120704893	186
Steering hydraulic assembly	L2300-2539000015.S1A	188
Axle swing hydraulic assembly	L2600-2511000055.S1A	190
Outrigger hydraulic assy	L2800-2513000070.S1B	192
Outrigger cylinder	L2800-4120702862	196
Outrigger cylinder control valve st4652-ab0a	L2800-4120704687	198

M. Electric system	BoM Reference	Page
Electrical assembly	M2900-2530001486.S1B	202
Body harness assembly	M2900-2530000803.S1C	204
Lower control panel assembly	M2900-4130702035	206
Platform control unit assembly	M2901-4130702377	208

Chassis electrical assembly	M3101-2532001326.S1A	210
Electric assembly	M3300-2533001181.S1B	214

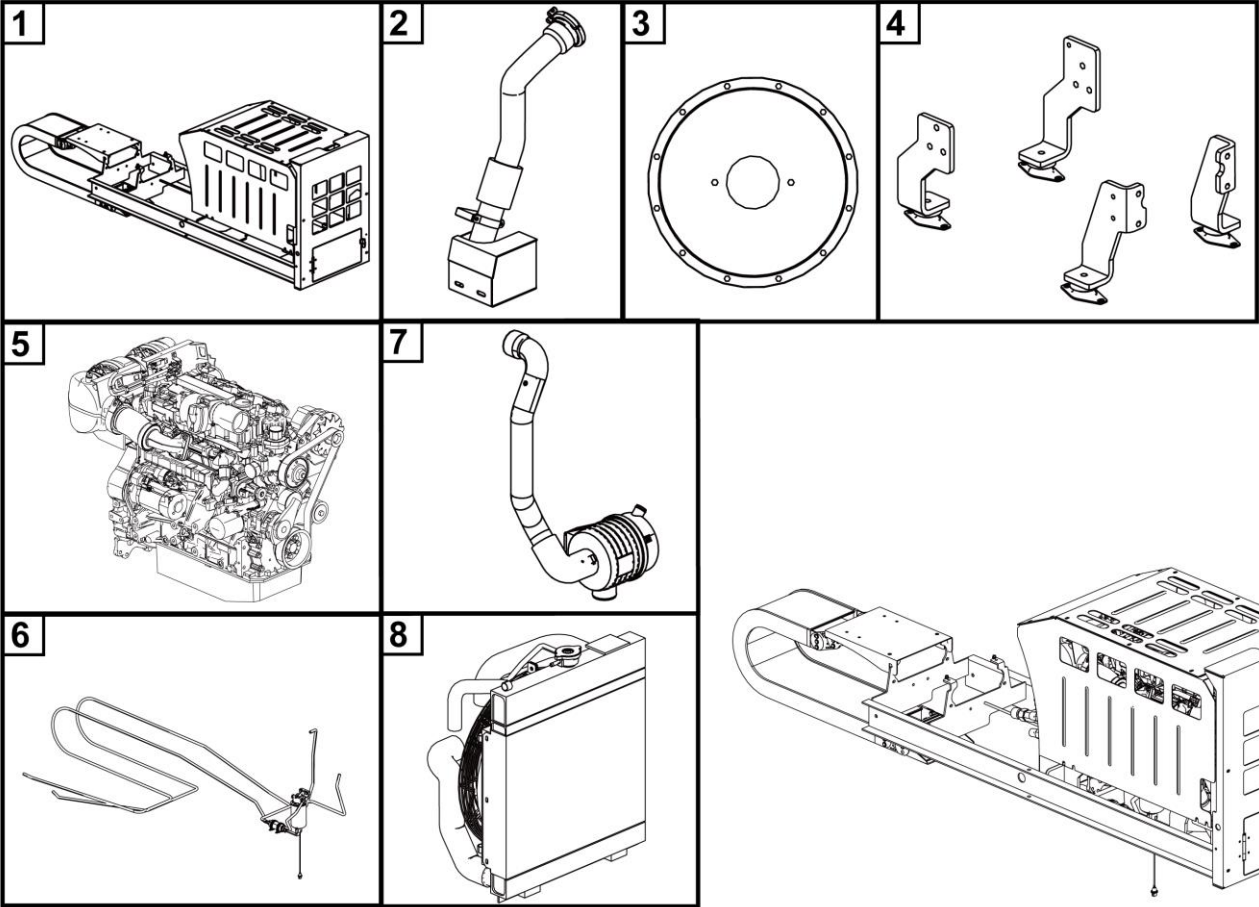
O. Gps system	BoM Reference	Page
Gps	O3600-2536000182	218

A
DIESEL ENGINE SYSTEM



LINGONG GROUP JINAN HEAVY MACHINERY CO., LTD.

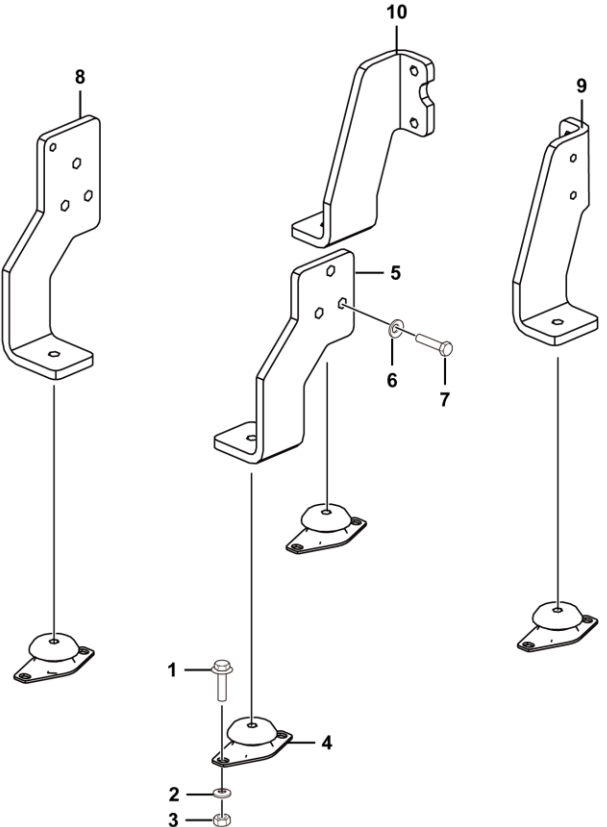
Engine assembly



Key	Part No.	Description	Spare parts Y/N	Qty	Remarks
1	25010009921	Engine platform assembly	N	1	
2	25010010091	Engine exhaust system	N	1	
3	25010009781	Engine transmission system	N	1	
4	25010009691	Engine mount assembly	N	1	
5	4110702801	Engine assembly	Y	1	
6	25010009721	Engine fuel supply system	Y	1	
7	25010010021	Engine intake system	N	1	
8	25010017531	Engine cooling system	N	1	

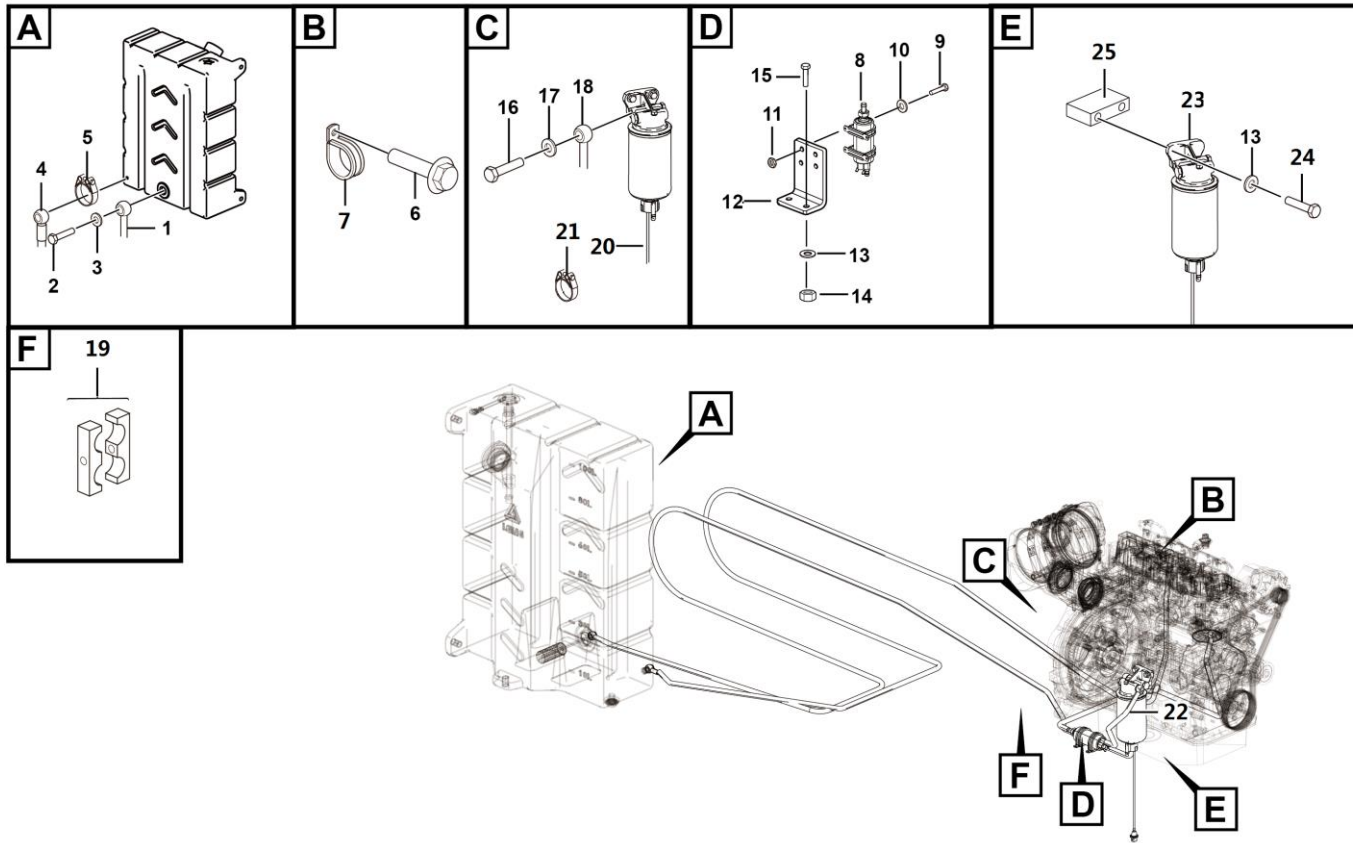


Engine mount assembly



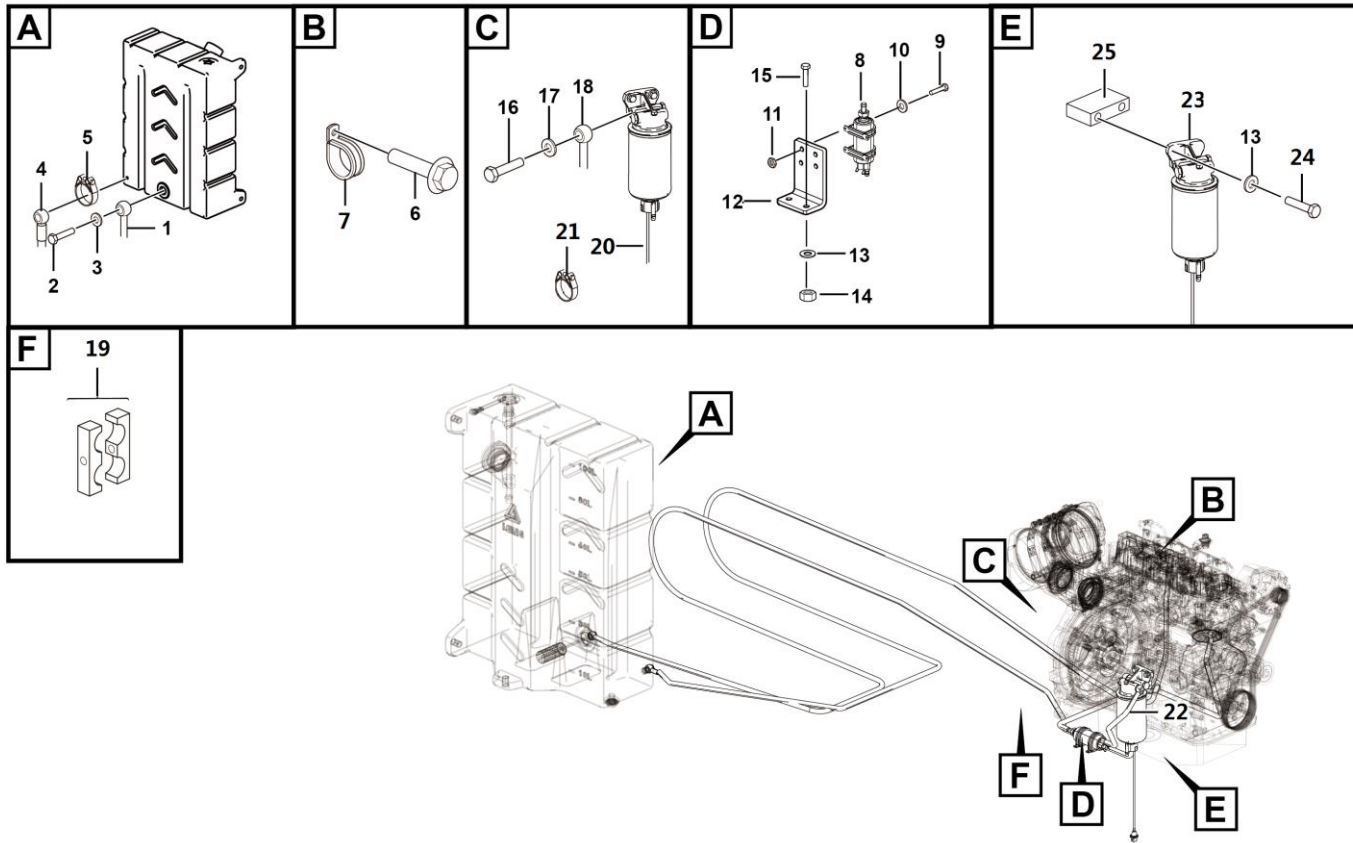
Key	Part No.	Description	Spare parts Y/N	Qty	Remarks
1	4011000475	Bolt gb16674-m10*30epzn-8.8	Y	8	
2	4015000162	Washer gb97.1-10epzn-300hv	Y	8	
3	4013000189	Nut gb889.1-m10epzn-8	Y	8	
4	4110001979	Vibration isolator 10-00184	Y	4	
5	25010009602	Weldment, left front engine outrigger	Y	1	
6	4015000168	Washer gb97.1-12epzn-300hv	Y	14	
7	4011000596	Bolt gb5783-m12*35epzn-10.9	Y	14	
8	25010009612	Weldment, right front engine outrigger	Y	1	
9	25010009622	Weldment, left rear engine outrigger	Y	1	
10	25010009632	Weldment, right rear engine outrigger	Y	1	

Fule system



Key	Part No.	Description	Spare parts Y/N	Qty	Remarks
1	4049010156	Tube lzb103-c12*5000	Y	1	
2	4011000344	Bolt jb999-m14*1.5*32epzn-35	Y	2	
3	4015000121	Washer jb982-14	Y	4	
4	4049010202	Tube lzb103-d9*4900	Y	1	
5	4017000010	Hose clamp jb8870-d20	Y	3	
6	4011011088	Bolt gb16674-m10*16flzncy-8.8-480	Y	4	
7	4041002384	Clamp	Y	2	
8	4110702735	Fuel pump	Y	1	
9	4014010122	Screw gb70.1-m5*20flzncy-8.8-480	Y	4	
10	4015010345	Washer gb96.1-5flzncy-480	Y	4	
11	4013010305	Nut gb889.1-m5flzncy-8-480	Y	4	
12	25010017302	Forming (stamping, etc.), electronic pump bracket , for fixing electronic pump	Y	1	
13	4015010339	Washer gb97.1-10flzncy-300hv-480	Y	6	
14	4013010296	Nut gb889.1-m10flzncy-8	Y	2	
15	4011010727	Bolt gb5783-m10*35flzncy-8.8-480	Y	2	
16	4011010322	Bolt jb999-m16*1.5*30epzn-35	Y	3	
17	4015000141	Washer jb982-16	N	6	
18	4049010208	Tube lzb103-e9*1300	Y	1	
19	4041010653	Clamp	N	2	
20	25010017421	Drain pipe, water separator	Y	1	
21	4017000040	Hose clamp jb8870-d12	Y	1	
22	4049010188	Tube lzb103-e12*550-p	Y	1	

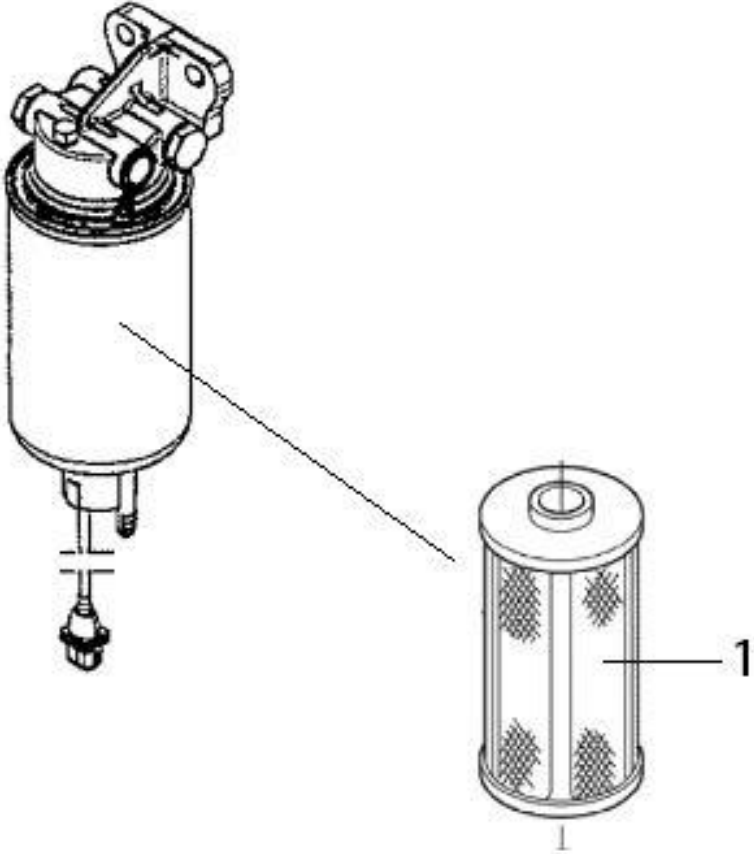
Fule system



Key	Part No.	Description	Spare parts Y/N	Qty	Remarks
23	4110702736	Coolant separator	Y	1	
24	4011010729	Bolt gb5782-m10*65flznyc-8.8-480	Y	2	
25	25010009762	Primary filter mounting cushion, fixing filter	Y	1	



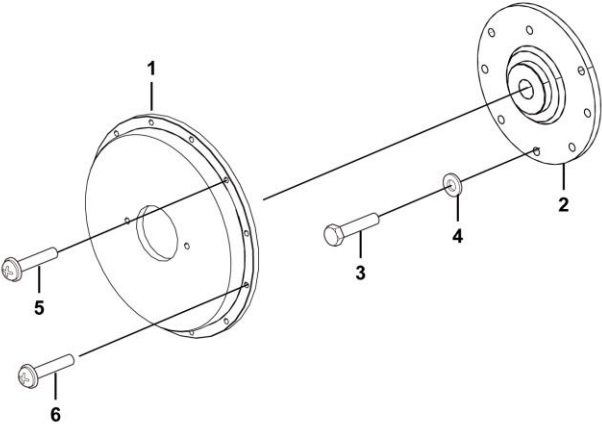
Fuel water separator assembly



Key	Part No.	Description	Spare parts Y/N	Qty	Remarks
1	4110702802002	Fuel coarse filter04130241	Y	1	



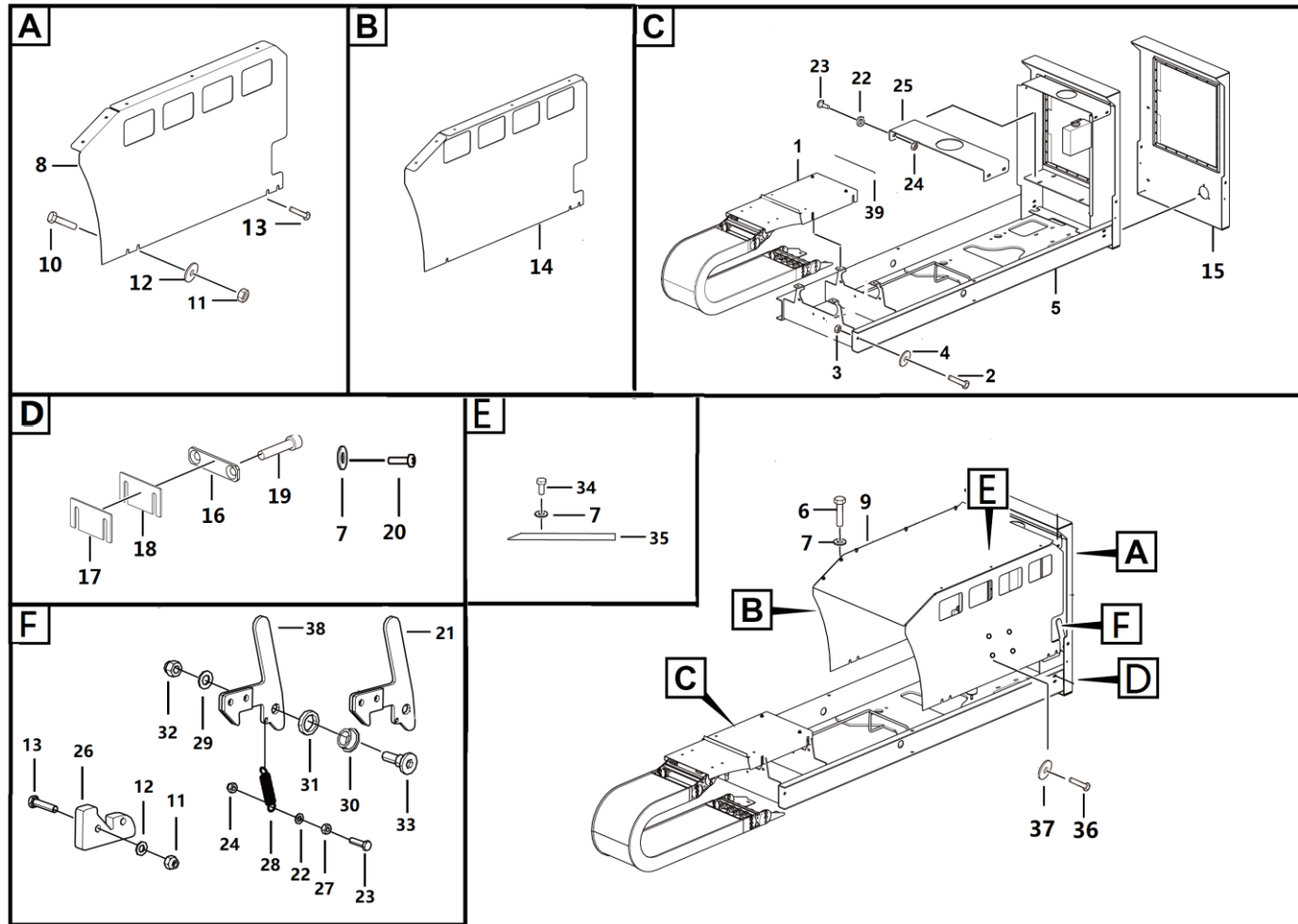
Engine transmission system



Key	Part No.	Description	Spare parts Y/N	Qty	Remarks
1	25010001002	Pump cover plate,pump-coupling	Y	1	
2	4110001408	Flywheel coupling fl10 t48 l=42 sae16/32 z=15	Y	1	
3	4011000763	Bolt gb5783-m10*30epzn-10.9	Y	8	
4	4015000162	Washer gb97.1-10epzn-300hv	Y	8	
5	4014000135	Screw gb70.1-m10*40epzn-8.8	Y	2	
6	4014000134	Screw gb70.1-m10*30epzn-8.8	Y	10	

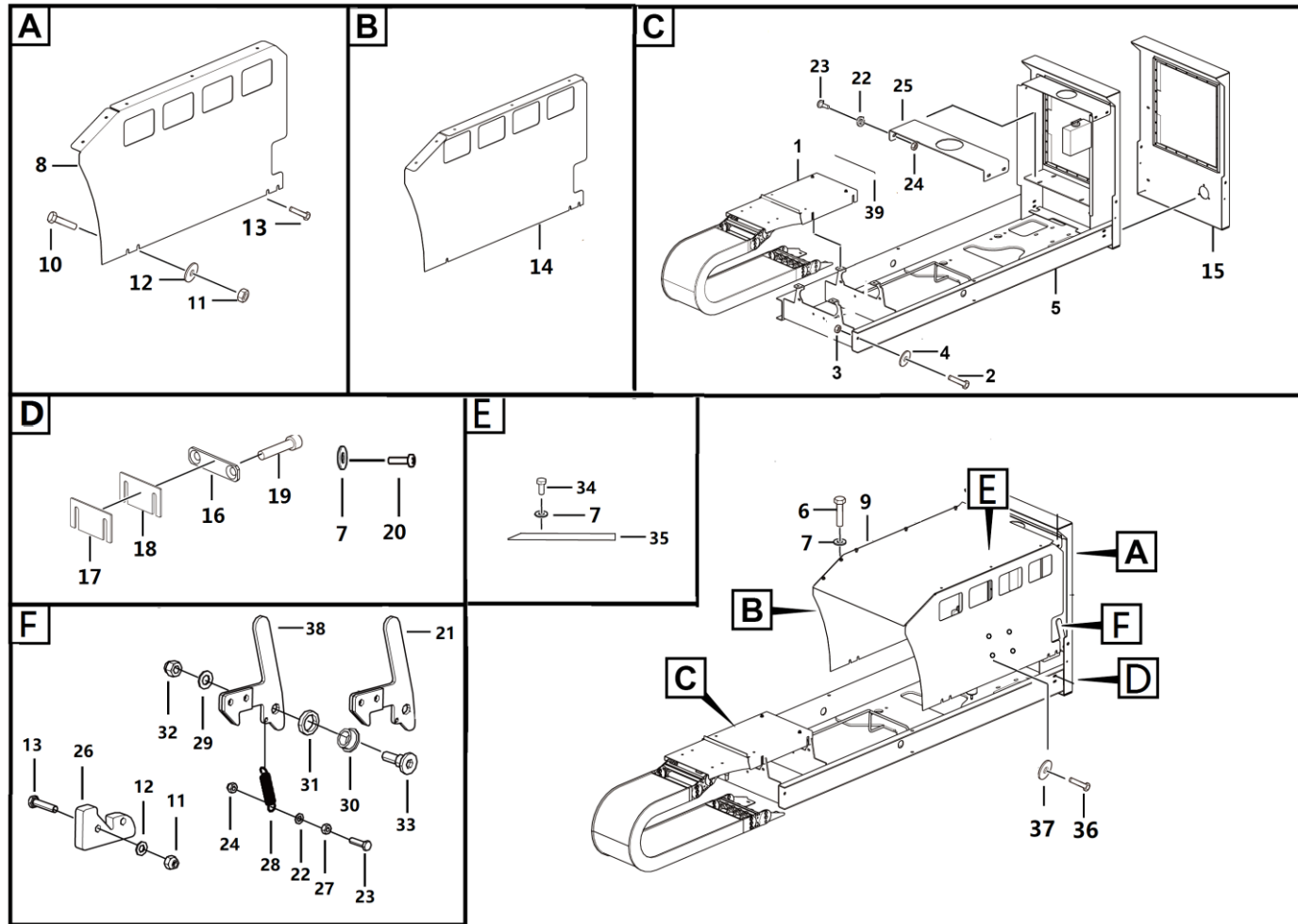


Engine platform assembly



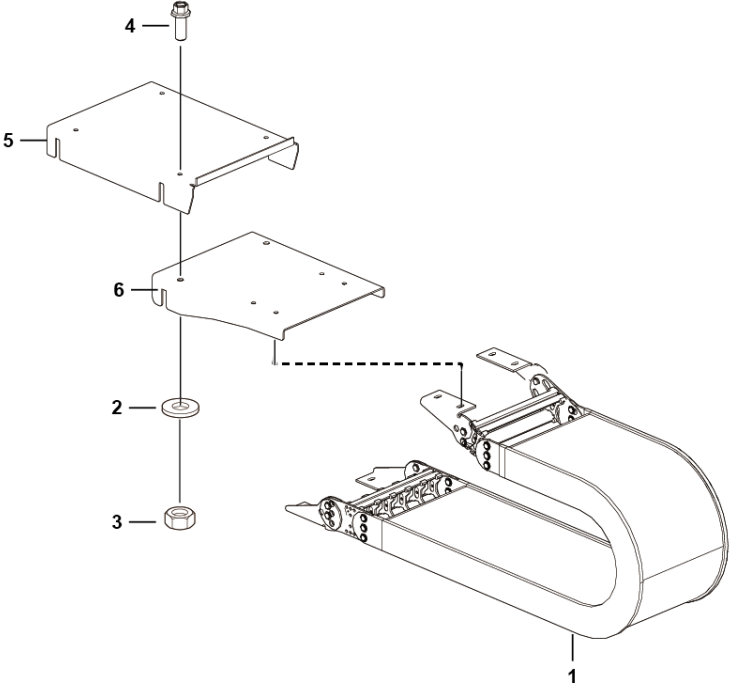
Key	Part No.	Description	Spare parts Y/N	Qty	Remarks
1	25010001071	Tow assembly	N	1	
2	25010000552	Bolt, 36*32*10.5*0.2	Y	2	
3	4013010301	Nut gb889.1-m12flznyc-8-480	Y	2	
4	4015010340	Washer gb97.1-12flznyc-300hv-480	Y	2	
5	25010025732	Engine platform welding	Y	1	
6	4011010711	Bolt gb5783-m8*20flznyc-8.8-480	Y	8	
7	4015010289	Washer gb96.1-8flznyc-480	Y	16	
8	25010025351	Plate welding	Y	1	
9	25010020851	Plate	Y	1	
10	4011010722	Bolt gb5783-m10*25flznyc-8.8-480	Y	4	
11	4013010296	Nut gb889.1-m10flznyc-8	Y	8	
12	4015010339	Washer gb97.1-10flznyc-300hv-480	Y	12	
13	4011011046	Bolt gb5783-m10*45flznyc-8.8-480	Y	4	
14	25010025331	Plate welding	Y	1	
15	25010017391	Welding plate	Y	1	
16	25010006753	Mounting plate ,fixing rear cover plate	Y	2	
17	25010006733	Shim, 93*27*5.5*1	Y	4	
18	25010006743	Shim, 93*27*5.5*2	Y	4	
19	4014010592	Screw gb70.3-m8*25flznyc-8.8-480	Y	4	
20	4011010743	Bolt gb5783-m8*25flznyc-8.8-480	Y	4	
21	25010000901	Left lock, engine platform left cover plate	Y	1	
22	4015010280	Washer gb97.1-8flznyc-480	Y	10	

Engine platform assembly



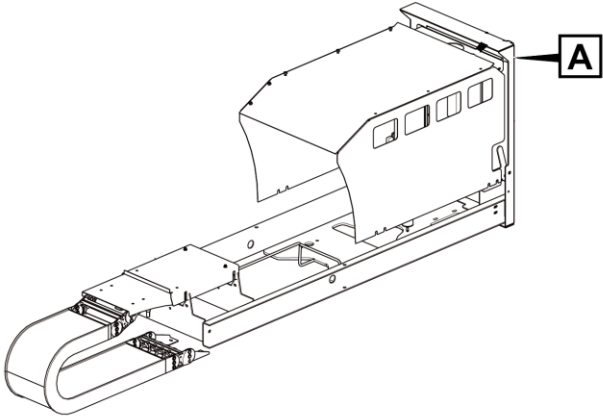
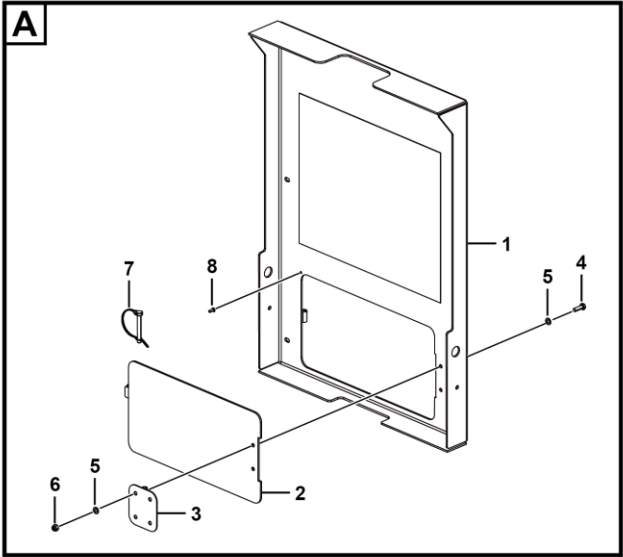
Key	Part No.	Description	Spare parts Y/N	Qty	Remarks
23	4011010708	Bolt gb5783-m8*30flznyc-8.8-480	Y	6	
24	4013010297	Nut gb889.1-m8flznyc-8-480	Y	6	
25	25010026412	Plate	Y	1	
26	25010001081	Clamping plate,fixing right cover	Y	2	
27	4013010291	Nut gb6170-m8flznyc-8-480	Y	2	
28	25010000411	Spring 2*14*72	Y	2	
29	4015010341	Washer gb97.1-14flznyc-300hv-480	Y	2	
30	25200003881	Shaft sleeve, 19.05*9.5	Y	2	
31	25010001101	Spacer bush, 36*26*7	Y	2	
32	4013010363	Nut gb889.1-m14flznyc-8-480	Y	2	
33	25010000973	Handle bolt, gb/t70.1-m14*15	Y	2	
34	4011010726	Bolt gb5783-m8*40flznyc-8.8-480	Y	4	
35	25010014872	Rubber seal	Y	2	
36	4011010748	Bolt gb5783-m10*20flznyc-8.8-480	Y	8	
37	4015010278	Washer gb96.1-10flznyc-480	Y	4	
38	25010000911	Right lock, engine platform right cover plate	N	1	
39	4190707218	Clip rubber bar	Y	1	

Tow assembly

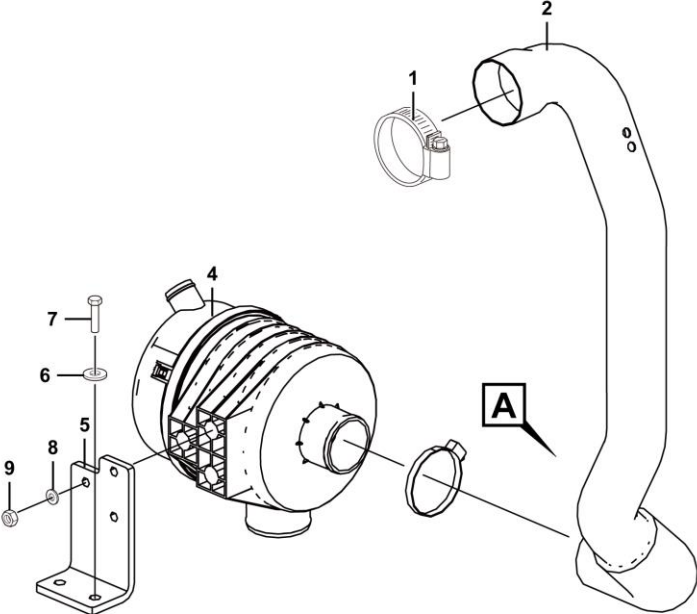
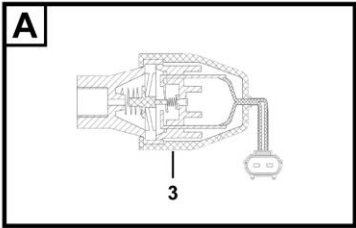


A0100-2501000107.S1a

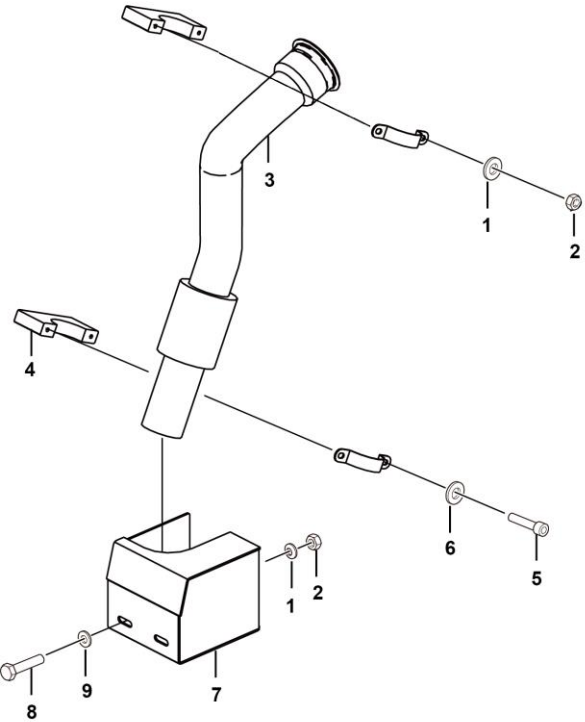
Welding plate



Engine intake system



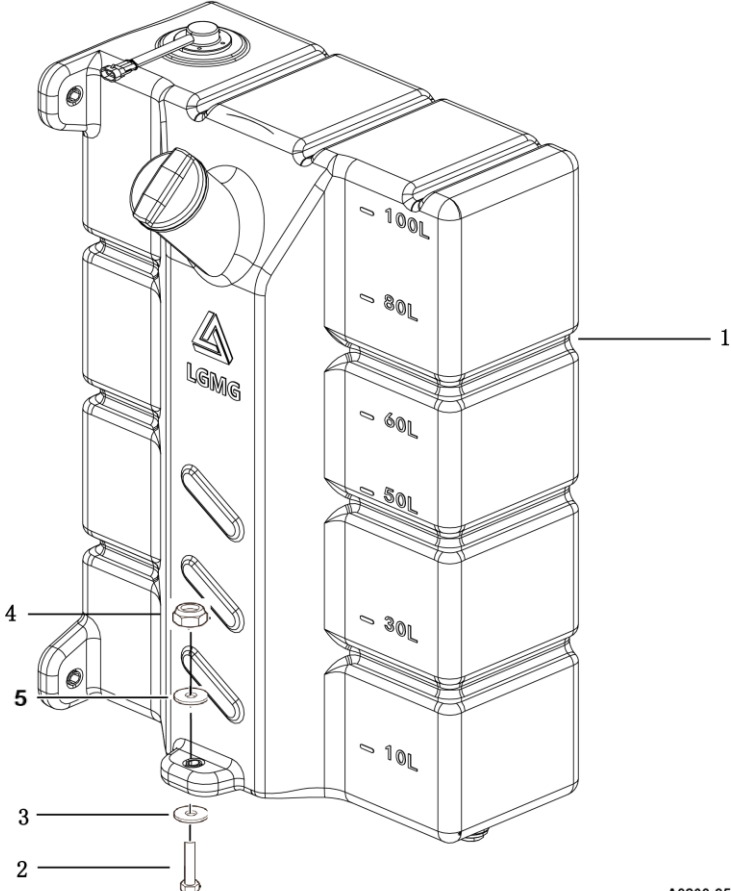
Exhaust system



Key	Part No.	Description	Spare parts Y/N	Qty	Remarks
1	25010017371	Engine coolant inlet hose,engine-radiator	Y	1	
2	4017000007	Hose clamp jb8870-d60	Y	4	
3	4017000011	Hose clamp jb8870-d32	Y	2	
4	25010009662	Engine water inlet pipe,engine -radiator	Y	1	
5	25010009651	Engine water outlet pipe,engine -radiator	Y	1	
6	25010009851	Ventilation pipe, engine	Y	1	
7	4017000040	Hose clamp jb8870-d12	Y	2	
8	4110702812	Radiator assembly m9115095	Y	1	
9	25010009042	Fixed plate, for fixing radiator	Y	1	
10	25010009031	Rubber sheet,support radiator	Y	1	
11	25010017402	Weldment, engine guard plate weldment	Y	1	
12	4011010970	Bolt gb5783-m8*16flznyc-8.8-480	Y	2	
13	4015010280	Washer gb97.1-8flznyc-480	Y	2	
14	4011010741	Bolt gb5782-m10*55flznyc-8.8-480	Y	2	
15	4015010278	Washer gb96.1-10flznyc-480	Y	4	
16	4013010296	Nut gb889.1-m10flznyc-8	Y	2	
17	4015010339	Washer gb97.1-10flznyc-300hv-480	Y	2	
18	4011010707	Bolt gb5783-m10*30flznyc-8.8-480	Y	2	
19	4014010094	Screw gb70.1-m8*100flznyc-12.9-480	Y	4	
20	4110702816	Fan n035083801h202	Y	1	
21	4110702818	Fan cushion block, for fixing fan	Y	1	

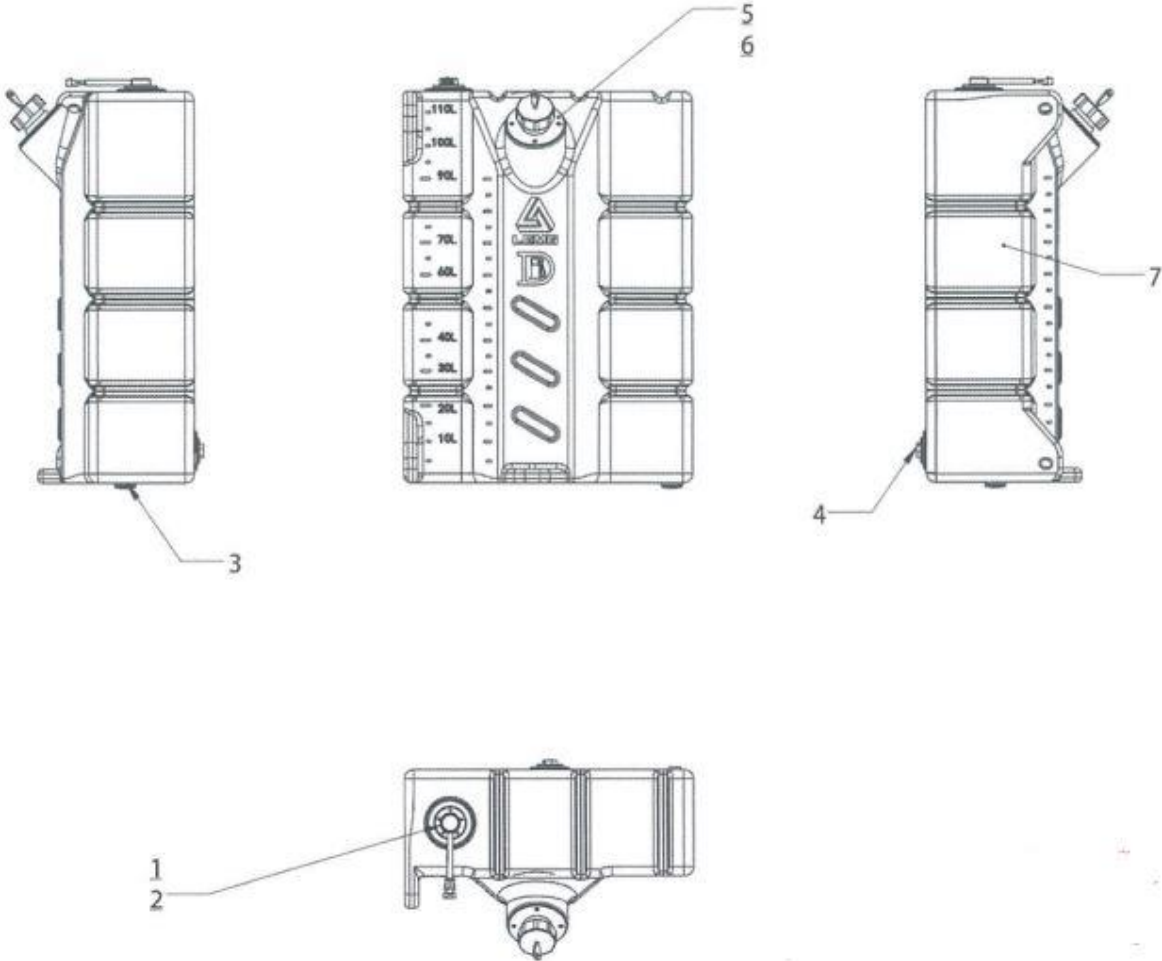


Fuel tank assembly

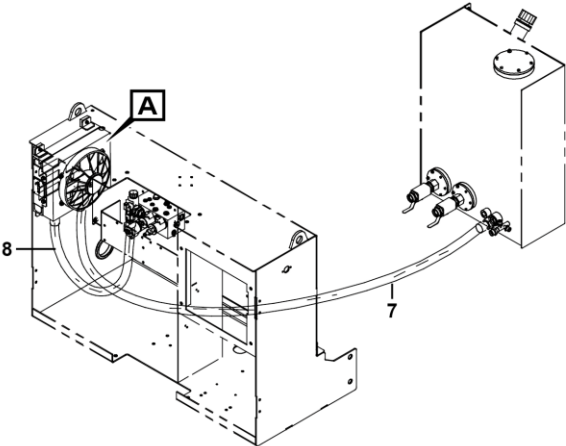
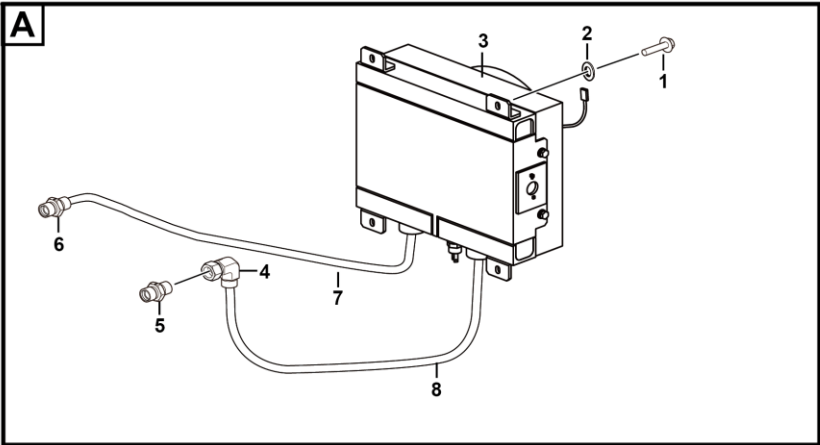


A0200-2502000028.S1e

Rotational molding fuel tank assembly Ig02-ryx-001



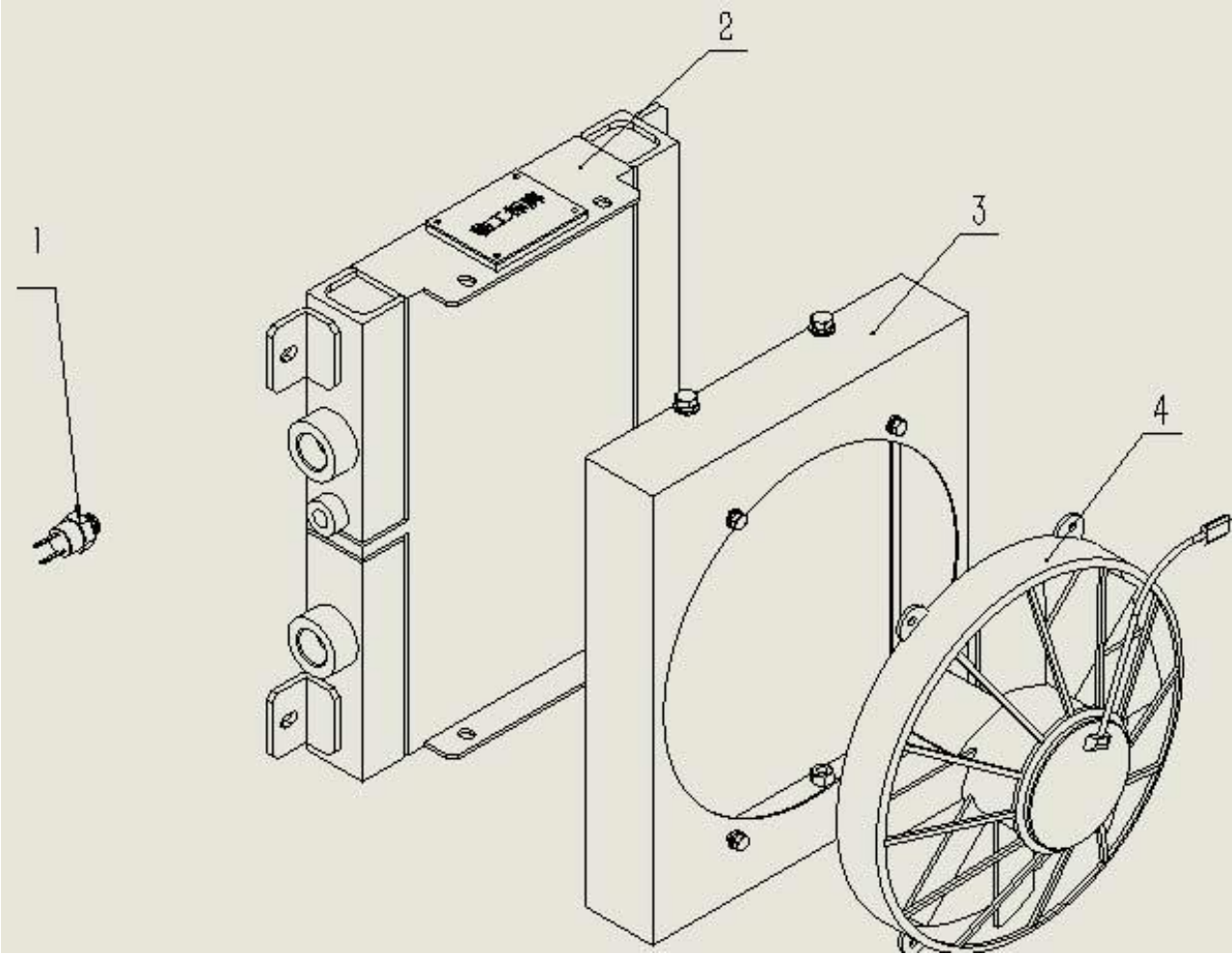
Oil cooler system



A0300-2503000024.S1b

Key	Part No.	Description	Spare parts Y/N	Qty	Remarks
1	4011010743	Bolt gb5783-m8*25flznyc-8.8-480	Y	4	
2	4015010280	Washer gb97.1-8flznyc-480	Y	4	
3	4120704832	Hydraulic oil radiator m9115052	Y	1	
4	4120000534	Transition fitting ew28lomda3c	Y	1	
5	4120704907	Fitting ge28lr3/4edomdcf	Y	3	
6	4120704908	Straight fitting ge28lredomdcf	Y	1	
7	4120706222	Hosej20411-36-16tz*osd150-0100*2030 ,radiator out port-hose-lift control valve	Y	1	
8	4120706221	Hosej20411-36-16tz*osd150-0100*1000 , radiator-valve block	Y	1	

Hydraulic oil radiator m9115052

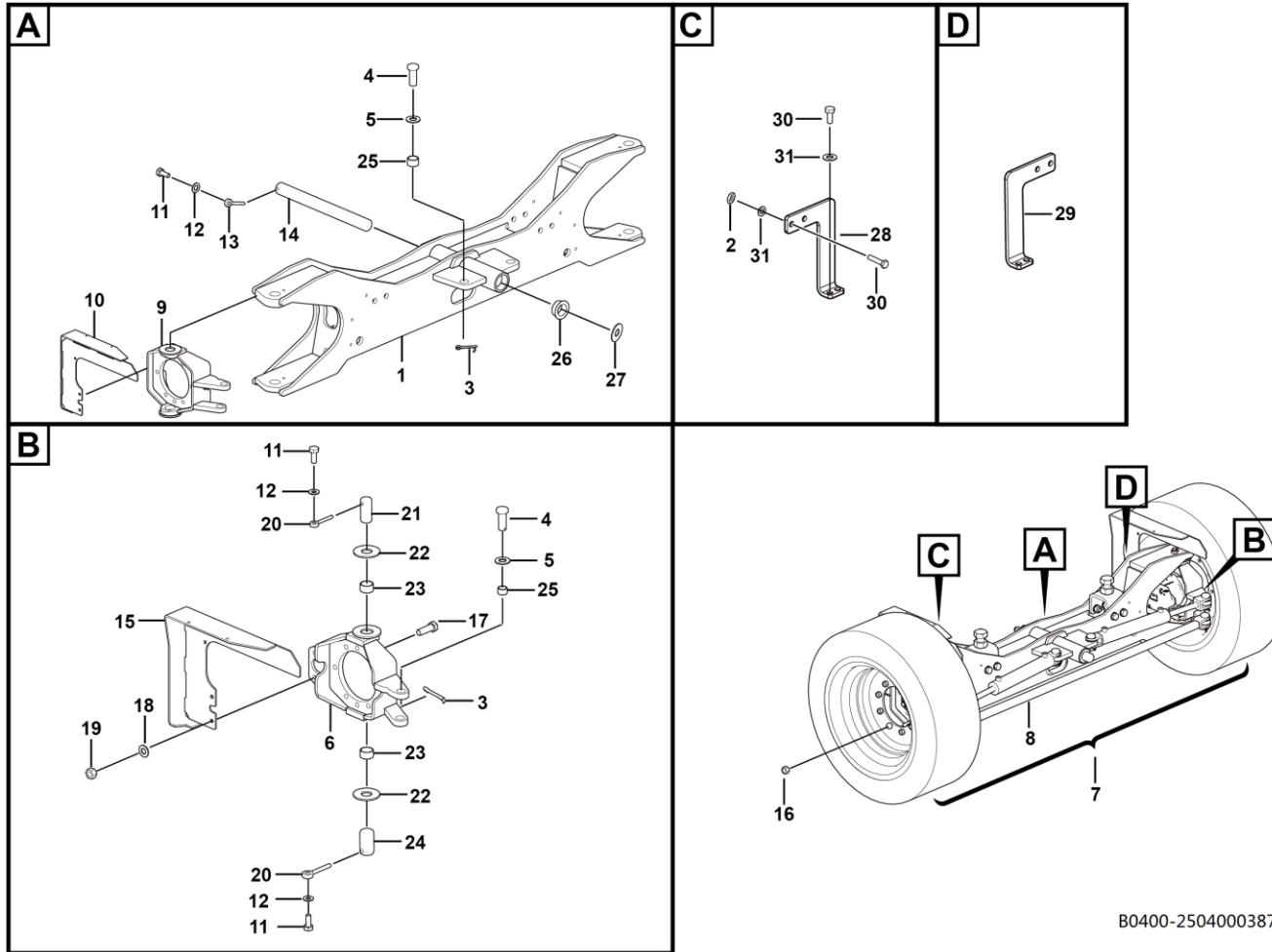


B
AXLE SYSTEM



LINGONG GROUP JINAN HEAVY MACHINERY CO., LTD.

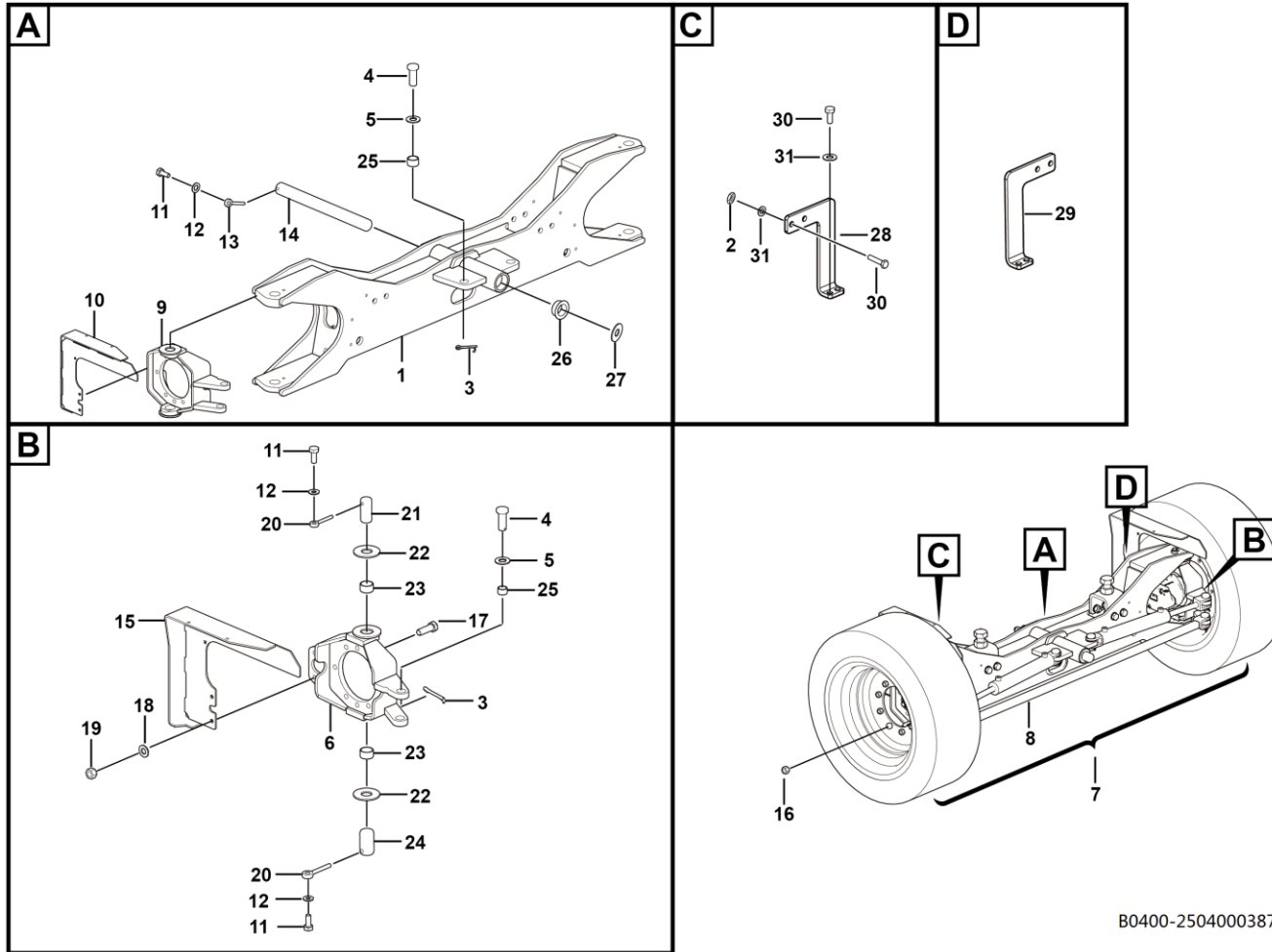
Front axle assembly



B0400-2504000387.S1c

Key	Part No.	Description	Spare parts Y/N	Qty	Remarks
1	25040004882	Front axle housing	N	1	
2	4013010297	Nut gb889.1-m8flznyc-8-480	Y	4	
3	4016000127	Cotter pin gb91-5*40epzn-q235a	N	6	
4	25040000311	Tie rod pin, ϕ 25.4*70	Y	6	
5	25040000681	Gasket, 50*25*4	Y	6	
6	25040004681	Right knuckle	Y	1	
7	4110702398	Tire assembly , 33*12-20	N	1	
8	25040000431	Weldment, steering lever,front axle	Y	1	
9	25040004671	Left knuckle	Y	1	
10	25040004631	Weldment, left pipe bracket, fixing pipe	Y	1	
11	4011010722	Bolt gb5783-m10*25flznyc-8.8-480	Y	5	
12	4015010339	Washer gb97.1-10flznyc-300hv-480	Y	5	
13	25200000641	Pin, 10*70	Y	1	
14	25040000451	Floating pin,44.46*450	Y	1	
15	25040004651	Weldment, right fuel pipe bracket, for fixing fuel pipe	N	1	
16	25050000401	Tapered hexagon nut m16x1.5	Y	18	
17	4011011125	Bolt gb5783-m12*35flznyc-8.8-480	Y	4	
18	4015010340	Washer gb97.1-12flznyc-300hv-480	Y	4	
19	4013010315	Nut gb6172.1-m12flznyc-8-480	Y	4	
20	25200006221	Pin, 10*58.5	Y	4	
21	25040000461	Upper main pin, 48.1*82.5	Y	2	
22	25040000351	Wear washer, 89*38.1*5	Y	2	

Front axle assembly

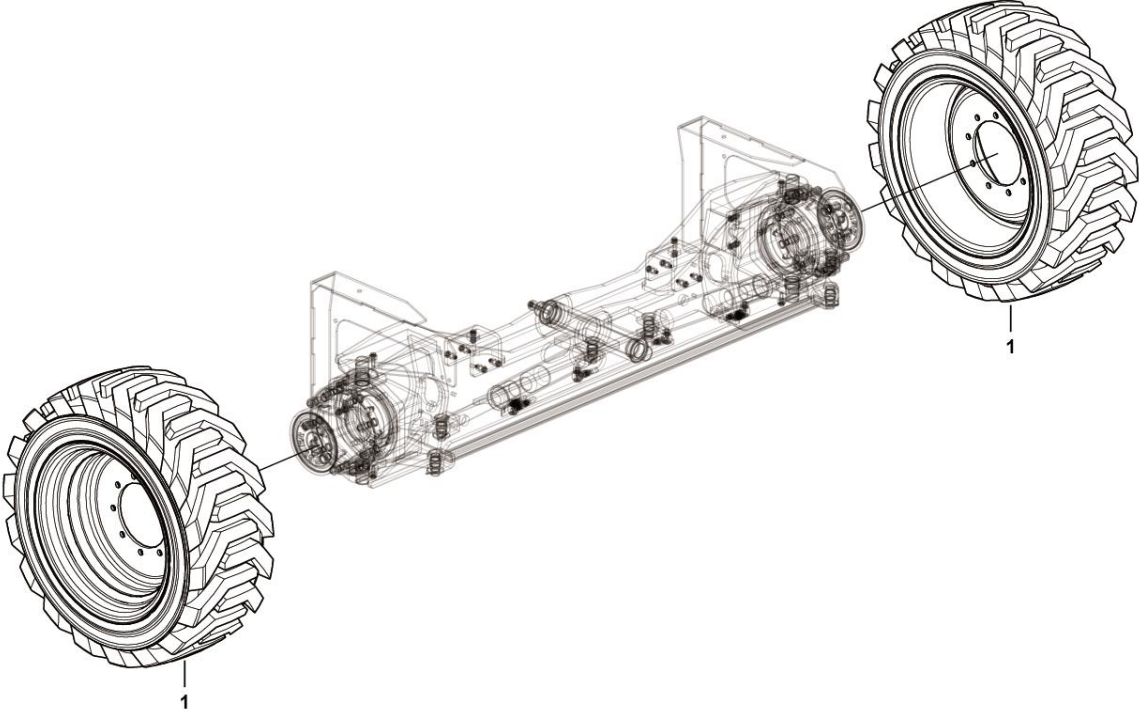


B0400-2504000387.S1c

Key	Part No.	Description	Spare parts Y/N	Qty	Remarks
23	25040000491	Main pin bushing, 38.1*25	Y	4	
24	25040000471	Lower main pin, 38.1*65	Y	2	
25	25040000691	Cylinder sleeve, 25.4*20	Y	6	
26	25040000481	Bushing , 44.45*22.5	Y	2	
27	25040001431	Shim, 76*44.5*1.5	Y	2	
28	25040004662	Forming (stamping, etc.), fixed plate, for fixing left fuel pipe bracket	Y	1	
29	25040004622	Forming (stamping, etc.), fixed plate, for fixing right fuel pipe bracket	Y	1	
30	4011010743	Bolt gb5783-m8*25flznyc-8.8-480	Y	8	
31	4015010280	Washer gb97.1-8flznyc-480	Y	8	



Tire assembly

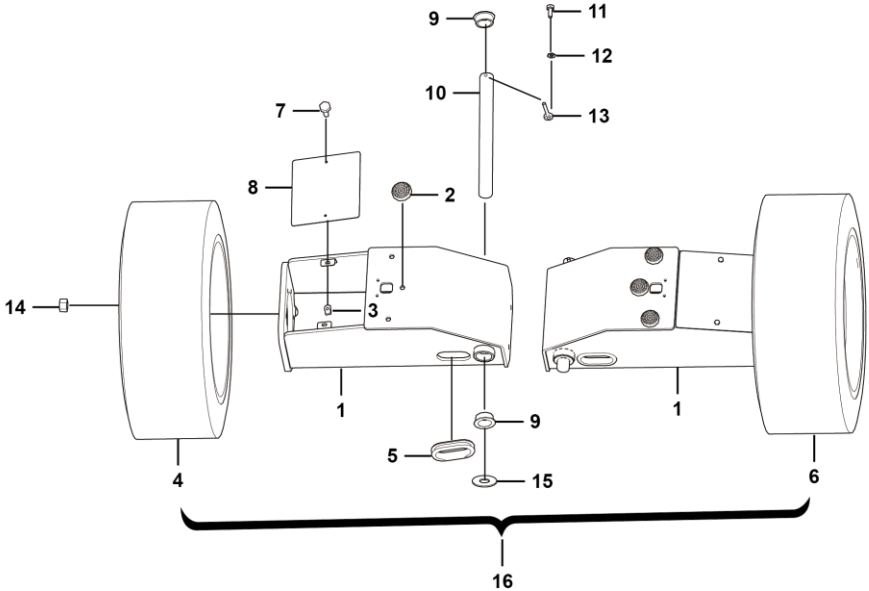


B0400-4110702398

Key	Part No.	Description	Spare parts Y/N	Qty	Remarks
1	4110702904	Tyre 315/55d20 right	Y	1	
2	4110702903	Tyre 315/55d20 left	N	1	



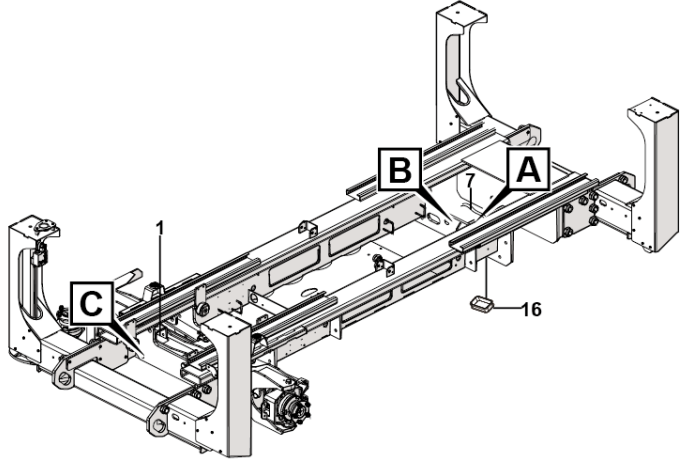
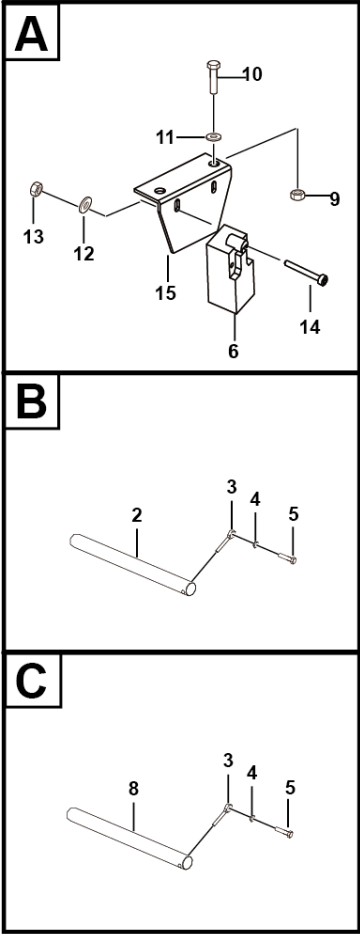
Rear axle assembly



B0500-2505000016.S1e

Key	Part No.	Description	Spare parts Y/N	Qty	Remarks
1	25050000171	Rear axle housing	Y	2	
2	25050002531	Spacer, 21*14	Y	10	
3	4014010053	Reed nut qc339-m8epzn-8	Y	4	
4	4110702904	Tyre 315/55d20 right	Y	1	
5	25050000191	Rubber gromet,62*60*16	Y	2	
6	4110702903	Tyre 315/55d20 left	N	1	
7	4011000105	Bolt gb5783-m8*20epzn-8.8	Y	4	
8	25050000181	Cover plate , for protecting rear axle	Y	2	
9	25040000481	Bushing , 44.45*22.5	Y	4	
10	25040000451	Floating pin,44.46*450	Y	2	
11	4011000082	Bolt gb5783-m10*25epzn-8.8	Y	2	
12	4015000162	Washer gb97.1-10epzn-300hv	Y	2	
13	25200000641	Pin, 10*70	Y	2	
14	25050000401	Tapered hexagon nut m16x1.5	Y	18	
15	25040001431	Shim, 76*44.5*1.5	Y	4	
16	4110702398	Tire assembly , 33*12-20	N	1	

Floatingfunction replace module



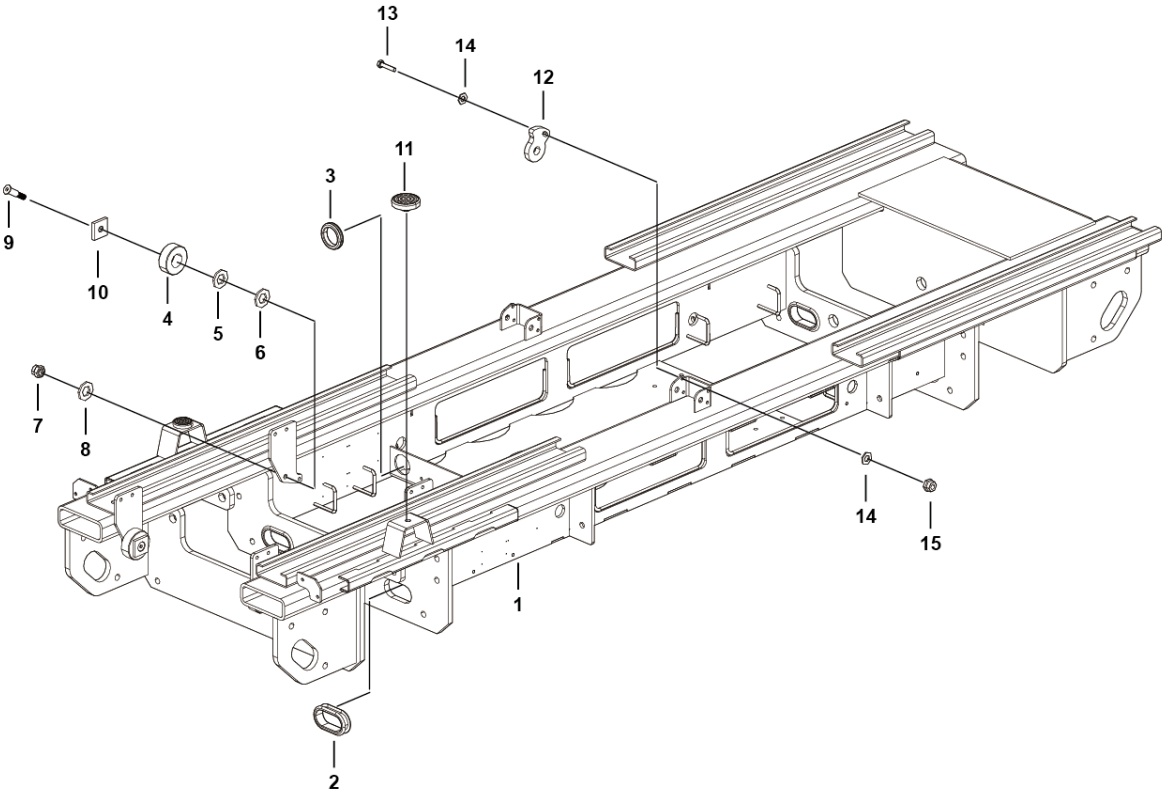
Key	Part No.	Description	Spare parts Y/N	Qty	Remarks
1	25110000551	Axle swing hydraulic assembly	N	1	
2	25040000441	Vibration cylinder pin, 37.75*171.5	Y	2	
3	25200000641	Pin, 10*70	Y	4	
4	4015010339	Washer gb97.1-10flznyc-300hv-480	Y	4	
5	4011010707	Bolt gb5783-m10*30flznyc-8.8-480	Y	4	
6	4130702482	Limit switch-xckp2121p16-nc	Y	2	
7	25320022651	Wire	Y	1	
8	25160001691	Vibration cylinder pin, 31.75*267	Y	2	
9	4013010297	Nut gb889.1-m8flznyc-8-480	Y	4	
10	4011010994	Bolt gb16674-m8*25flznyc-8.8-480	Y	4	
11	4015010280	Washer gb97.1-8flznyc-480	Y	4	
12	4015010283	Washer gb97.1-5flznyc-480	Y	4	
13	4013010305	Nut gb889.1-m5flznyc-8-480	Y	4	
14	4014010123	Screw gb70.1-m5*40flznyc-8.8-480	Y	4	
15	25320001331	Forming (stamping, etc.), plate , for fixing limit switch	Y	2	
16	25050000191	Rubber gromet,62*60*16	Y	1	

D
CHASSIS SYSTEM



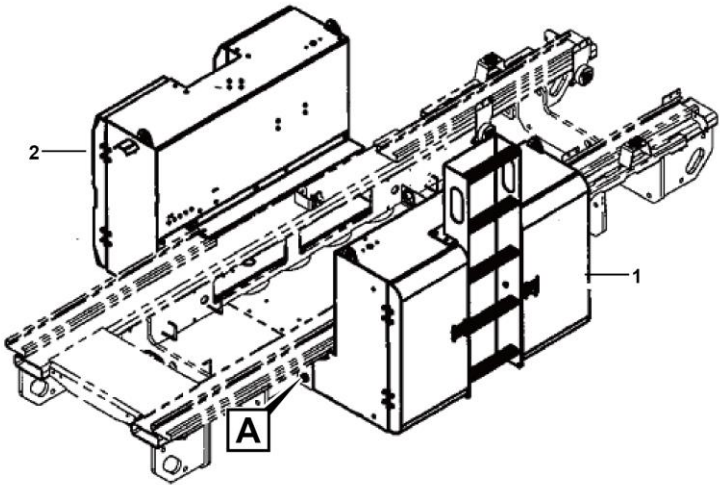
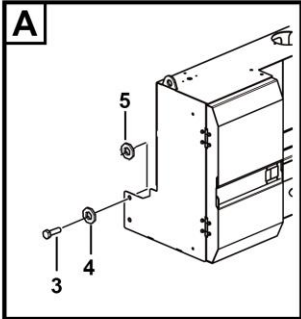
LINGONG GROUP JINAN HEAVY MACHINERY CO., LTD.

Chassis assembly



Key	Part No.	Description	Spare parts Y/N	Qty	Remarks
1	25160016837	Weldment, chassis weldment	Y	1	
2	25160001701	Rubber gromet, 62*60*22	Y	4	
3	25160005021	Rubber gromet, 70*5	N	2	
4	25160001731	Roller , φ98	Y	4	
5	25210011191	Shim20*0.5	Y	4	
6	25210011181	Shim20*1	Y	4	
7	4013010302	Bolt gb889.1-m16flznyc-8-480	Y	4	
8	4015010342	Washer gb97.1-16flznyc-300hv-480	Y	4	
9	25160001751	Bolt, m16*35	Y	4	
10	25160001741	Partition, fixed engine platform	Y	4	
11	25200003372	Spacer, 18*11	Y	2	
12	25160001721	limit plate ,fixed fork	Y	1	
13	4011010972	Bolt gb5783-m8*35flznyc-8.8-480	Y	1	
14	4015010280	Washer gb97.1-8flznyc-480	Y	2	
15	4013010297	Nut gb889.1-m8flznyc-8-480	Y	1	

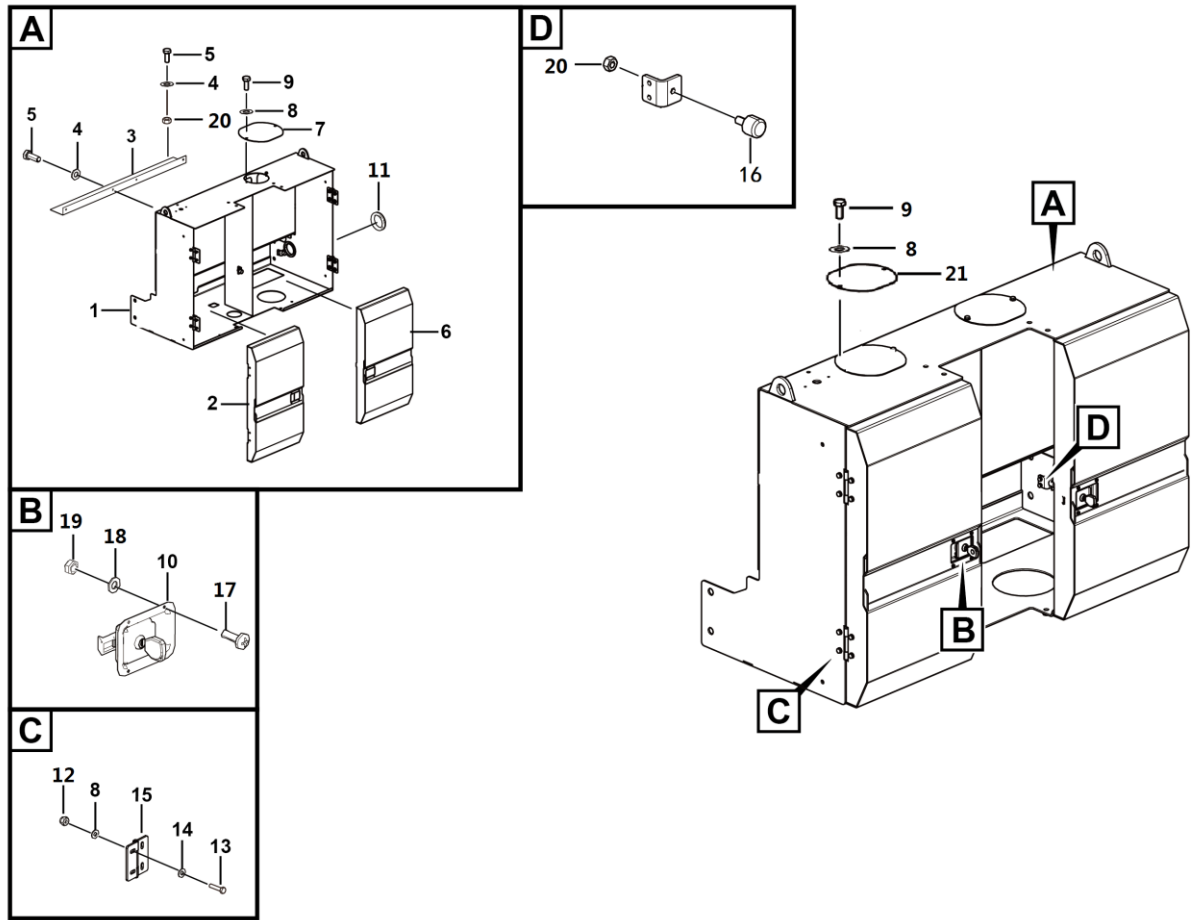
Plate



Key	Part No.	Description	Spare parts Y/N	Qty	Remarks
1	25180015122	Right box assembly	N	1	
2	25180015132	Left box assembly	N	1	
3	4011010869	Bolt gb5783-m20*50flznyc-10.9-480	Y	8	
4	4015010294	Washer gb97.1-20flznyc-480	Y	16	
5	4015010338	Washer gb97.1-20flznyc-300hv-480	Y	8	

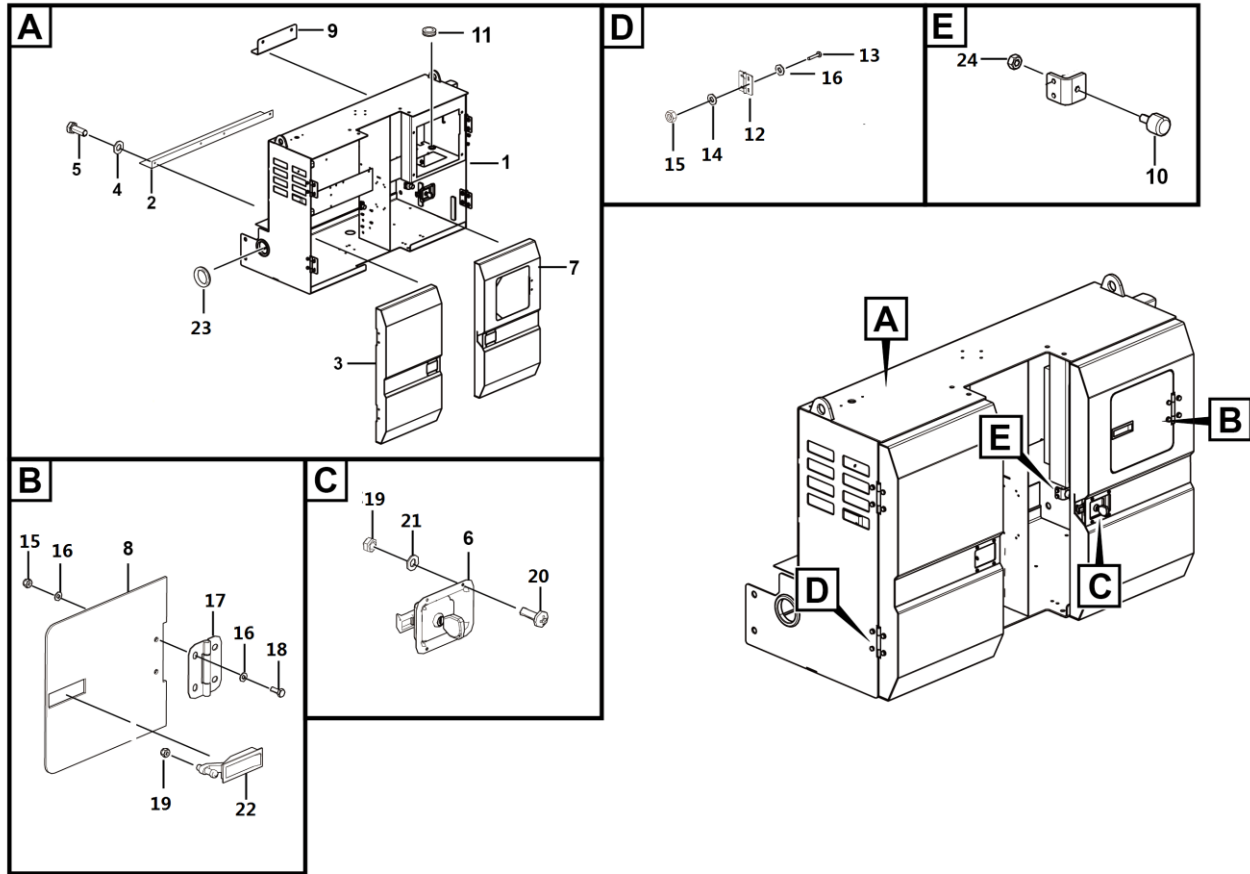


Box



Key	Part No.	Description	Spare parts Y/N	Qty	Remarks
1	25180001064	Weldment, right box weldment,tank side	Y	1	
2	25180015142	Weldment, right door weldment	N	1	
3	25180000871	Forming (stamping, etc.), bend plate, battery side	Y	1	
4	4015010339	Washer gb97.1-10flznyc-300hv-480	Y	3	
5	4011010722	Bolt gb5783-m10*25flznyc-8.8-480	Y	2	
6	25180015112	Weldment, right front door	N	1	
7	25180003651	Cover plate , protect,tank	Y	1	
8	4015010280	Washer gb97.1-8flznyc-480	Y	20	
9	4011010711	Bolt gb5783-m8*20flznyc-8.8-480	Y	4	
10	4190001576	Latch ms866-27, left/right door	Y	2	
11	25160000621	Rubber gromet,88*5	Y	1	
12	4013010297	Nut gb889.1-m8flznyc-8-480	Y	16	
13	4011010743	Bolt gb5783-m8*25flznyc-8.8-480	Y	16	
14	4015010289	Washer gb96.1-8flznyc-480	Y	16	
15	25180007361	Hinge, 106*95.4*5	Y	4	
16	25180013131	Stop block, battery side, left door	Y	2	
17	4014010108	Screw gb818-m5*14flznyc-4.8-480	Y	8	
18	4015010283	Washer gb97.1-5flznyc-480	Y	8	
19	4013010298	Nut gb6170-m5flznyc-8-480	Y	8	
20	4013010289	Nut gb6170-m10flznyc-8-480	Y	3	
21	25180015941	Fuel level sensor cover plate	Y	1	

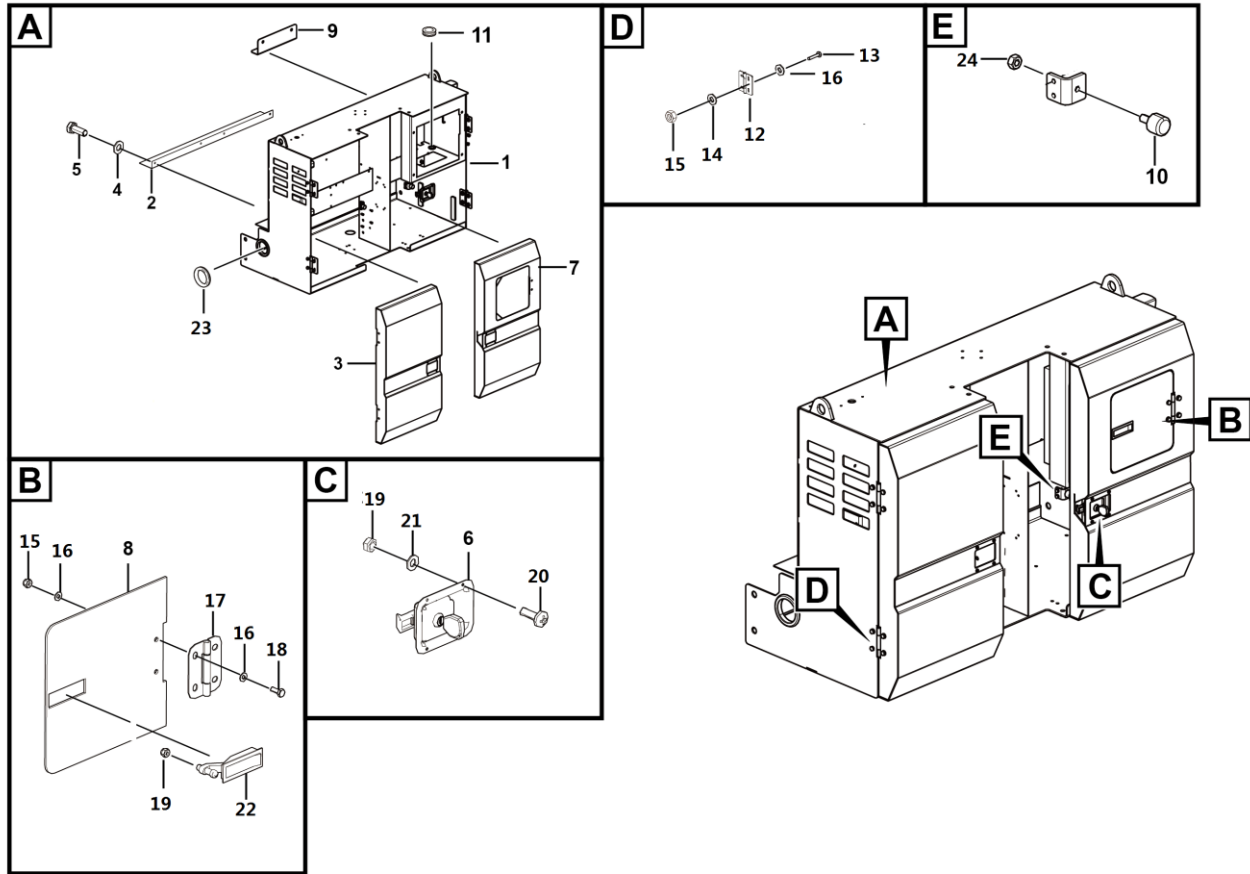
Box assembly



D0800-2518001513.S2B

Key	Part No.	Description	Spare parts Y/N	Qty	Remarks
1	25180015196	Weldment, left housing assembly	N	1	
2	25180000871	Forming (stamping, etc.), bend plate, battery side	Y	1	
3	25180015142	Weldment, right door weldment	N	1	
4	4015010339	Washer gb97.1-10flznyc-300hv-480	Y	4	
5	4011010722	Bolt gb5783-m10*25flznyc-8.8-480	Y	4	
6	4190001576	Latch ms866-27, left/right door	Y	2	
7	25180014542	Weldment, left rear door	Y	1	
8	25180000902	Small door, forming (stamping, etc.), for protecting ground controller	Y	1	
9	25180012161	Forming (stamping, etc.), bend plate, for fixing battery box	Y	1	
10	25180013131	Stop block, battery side, left door	Y	2	
11	28219900091	Rubber gromet. 34*7	Y	1	
12	25180007361	Hinge, 106*95.4*5	Y	4	
13	4011010743	Bolt gb5783-m8*25flznyc-8.8-480	Y	16	
14	4015010289	Washer gb96.1-8flznyc-480	Y	16	
15	4013010297	Nut gb889.1-m8flznyc-8-480	Y	20	
16	4015010280	Washer gb97.1-8flznyc-480	Y	24	
17	4190001521	Hinge cl253-27	Y	1	
18	4011010711	Bolt gb5783-m8*20flznyc-8.8-480	Y	4	
19	4013010298	Nut gb6170-m5flznyc-8-480	Y	9	
20	4014010108	Screw gb818-m5*14flznyc-4.8-480	Y	8	
21	4015010283	Washer gb97.1-5flznyc-480	Y	8	
22	4190001520	Latch ms719-1ca, tank flap	Y	1	

Box assembly

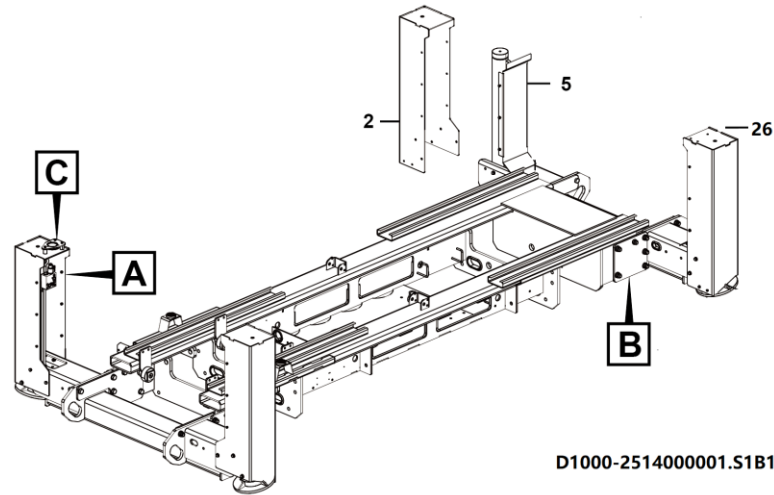
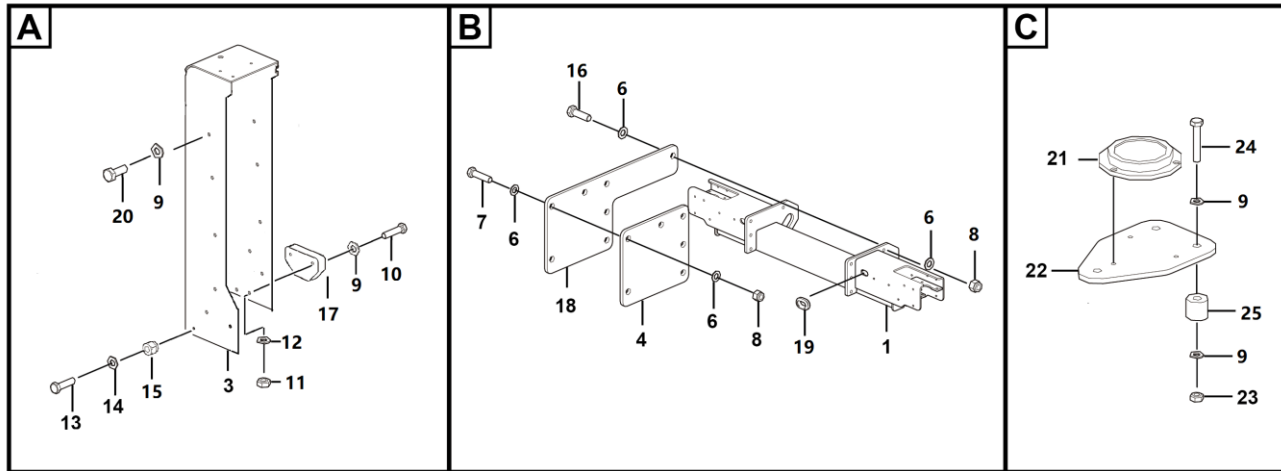


D0800-2518001513.S2B

Key	Part No.	Description	Spare parts Y/N	Qty	Remarks
23	25160000621	Rubber gromet,88*5	Y	1	
24	4013010289	Nut gb6170-m10flznyc-8-480	Y	2	



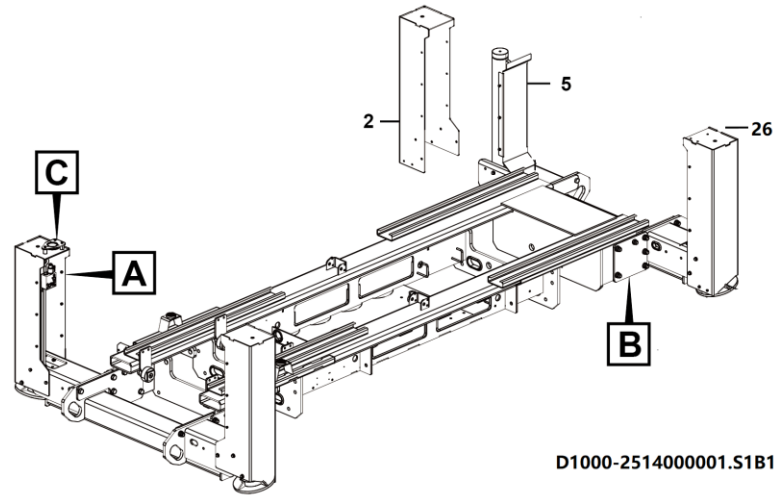
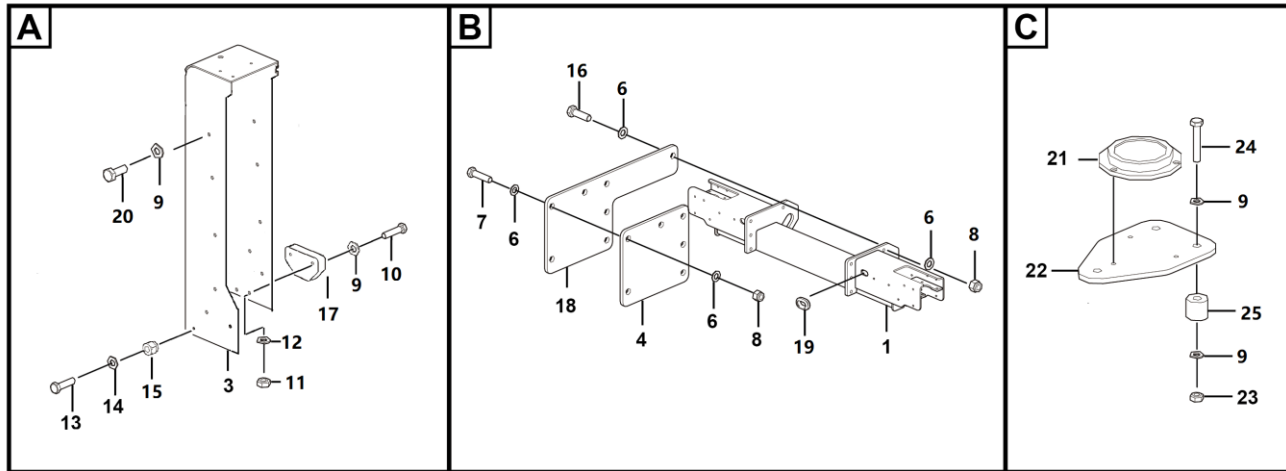
Bracket



D1000-251400001.S1B1-

Key	Part No.	Description	Spare parts Y/N	Qty	Remarks
1	25140001611	Weldment, support	Y	2	
2	25140000483	Weldment, outrigger weldment	Y	2	
3	25140000463	Weldment, outrigger weldment	Y	1	
4	25140000031	Fixed plate, for fixing support	Y	4	
5	25140001711	Weldment, outrigger guard plate	Y	4	
6	4015010338	Washer gb97.1-20flznyc-300hv-480	Y	56	
7	4011011052	Bolt gb5782-m20*80flznyc-10.9-480	Y	24	
8	4013010401	Nut gb889.1-m20flznyc-10-480	Y	28	
9	4015010280	Washer gb97.1-8flznyc-480	Y	38	
10	4011010753	Bolt gb5783-m8*45flznyc-8.8-480	Y	8	
11	4013010297	Nut gb889.1-m8flznyc-8-480	Y	8	
12	4015010289	Washer gb96.1-8flznyc-480	Y	8	
13	4011010979	Bolt gb5783-m12*40flznyc-8.8-480	Y	20	
14	4015010340	Washer gb97.1-12flznyc-300hv-480	Y	40	
15	4013010301	Nut gb889.1-m12flznyc-8-480	Y	20	
16	4011010868	Bolt gb5783-m20*65flznyc-10.9-480	Y	4	
17	25140000072	Baffle, for fixing outrigger	Y	4	
18	25140000041	Fixed plate, for fixing support	Y	4	
19	25160000401	Rubber gromet, 30*36*12	Y	4	
20	4011010711	Bolt gb5783-m8*20flznyc-8.8-480	Y	24	
21	4190704401	Bubble level spy-9415	Y	1	
22	25140002431	Weldment, mounting plate weldment, bubble level	Y	1	

Bracket



D1000-251400001.S1B1-

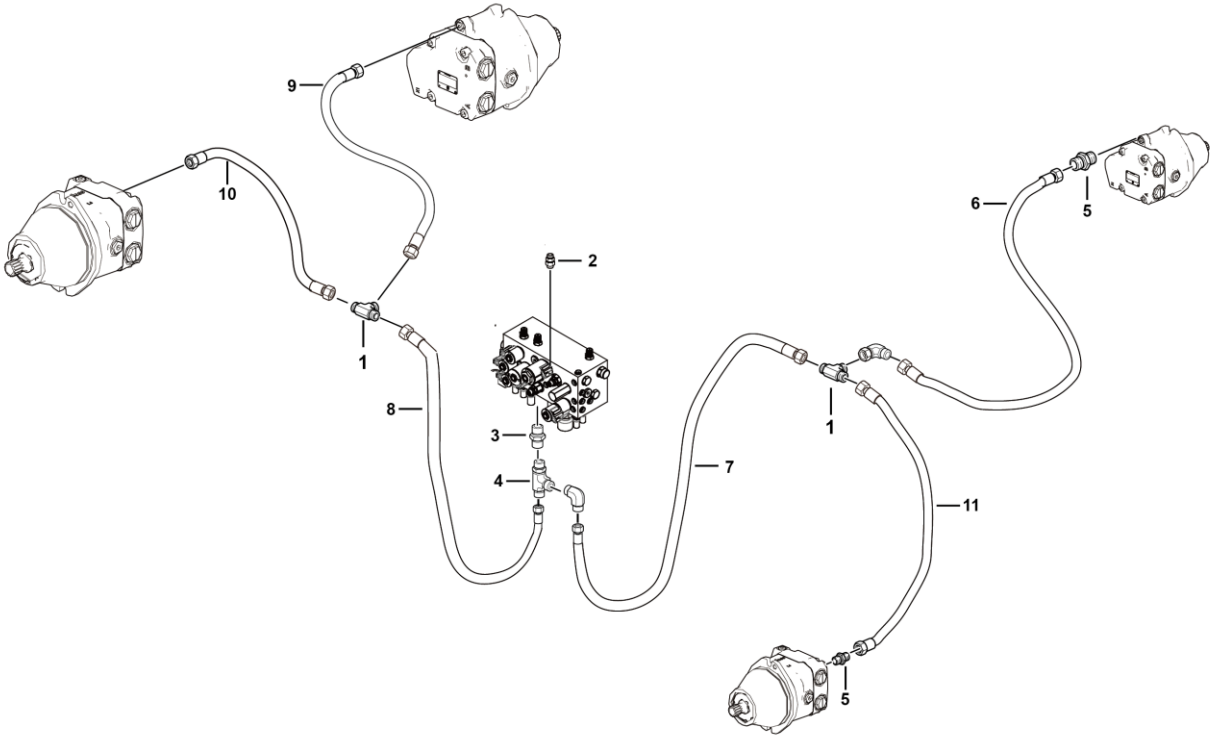
E BRAKE SYSTEM



LINGONG GROUP JINAN HEAVY MACHINERY CO., LTD.



Service brake assembly



E1100-250600098.S1a

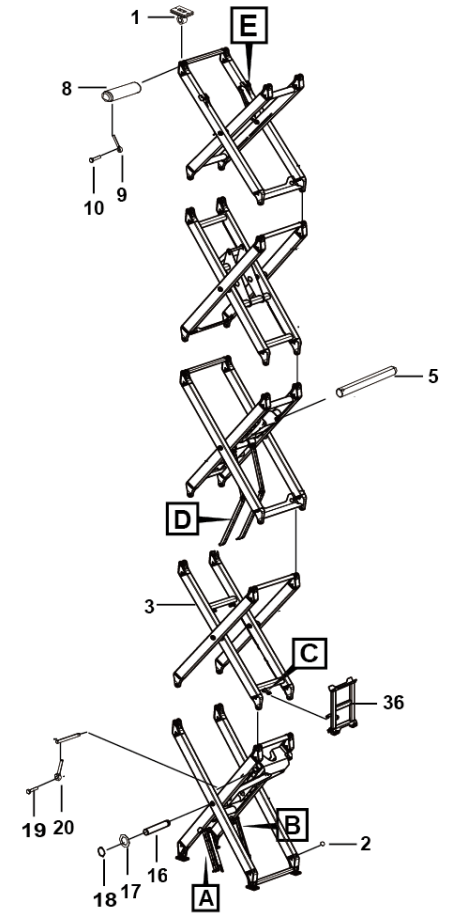
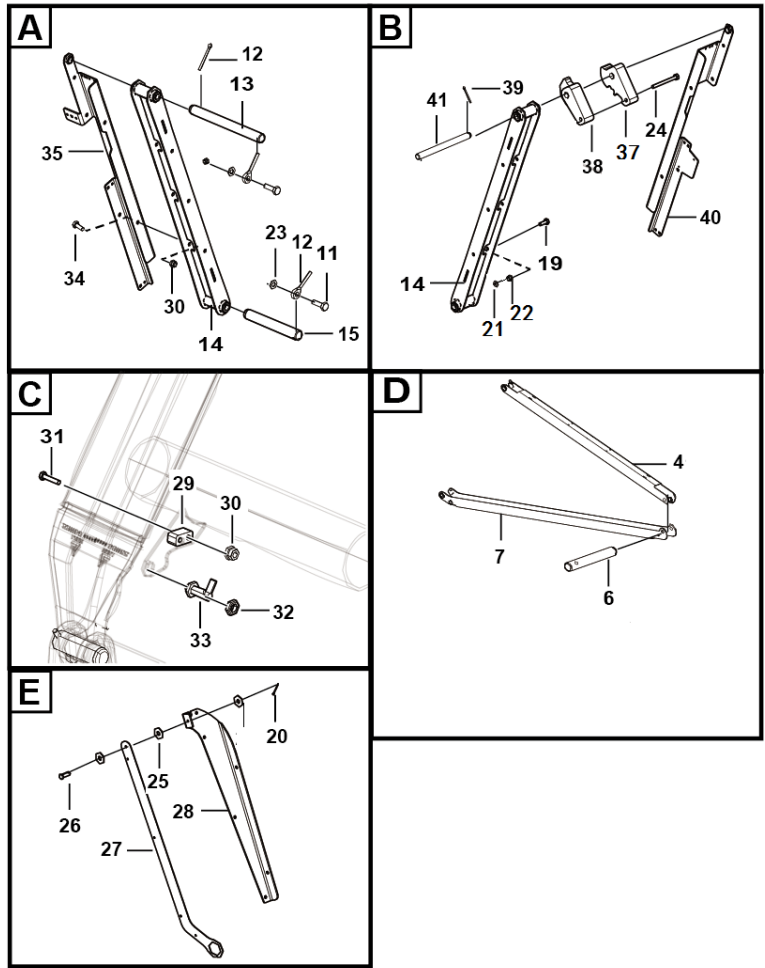
Key	Part No.	Description	Spare parts Y/N	Qty	Remarks
1	4120704929	Tee fitting t08lcfx	Y	2	
2	4120001977	Pressure tap smk20-g1/4-pc	Y	2	
3	4120001170	Fitting ge08lredomdcf	Y	1	
4	4190000208	Tee fitting el08lomda3c	Y	1	
5	4120001177	Fitting ge08l7/16unfomdcf	Y	2	
6	4120704937	Hosefc402cacf080804-1500 , travel motor	Y	1	
7	4120704928	Hosefc402caca080804-1500 , travel control valve	Y	1	
8	4120705924	Hosefc402cacf080804-1050 , travel control valve	Y	1	
9	4120704970	Hosefc402caca080804-2200 , travel motor	Y	1	
10	4120704871	Hosefc402caca080804-1700 , travel motor	Y	1	
11	4120705944	Hosefc402caca080804-1000 , travel motor	Y	1	

G
SCISSOR ASSY INSTALLATION ASSEMBLY



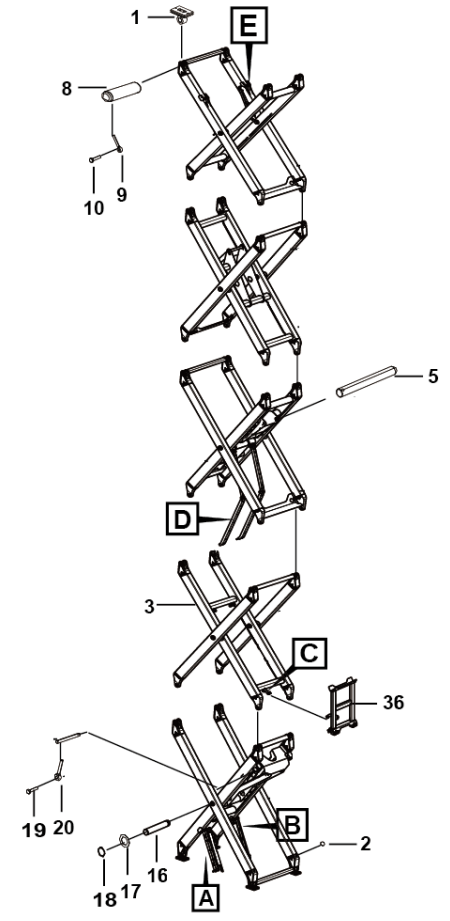
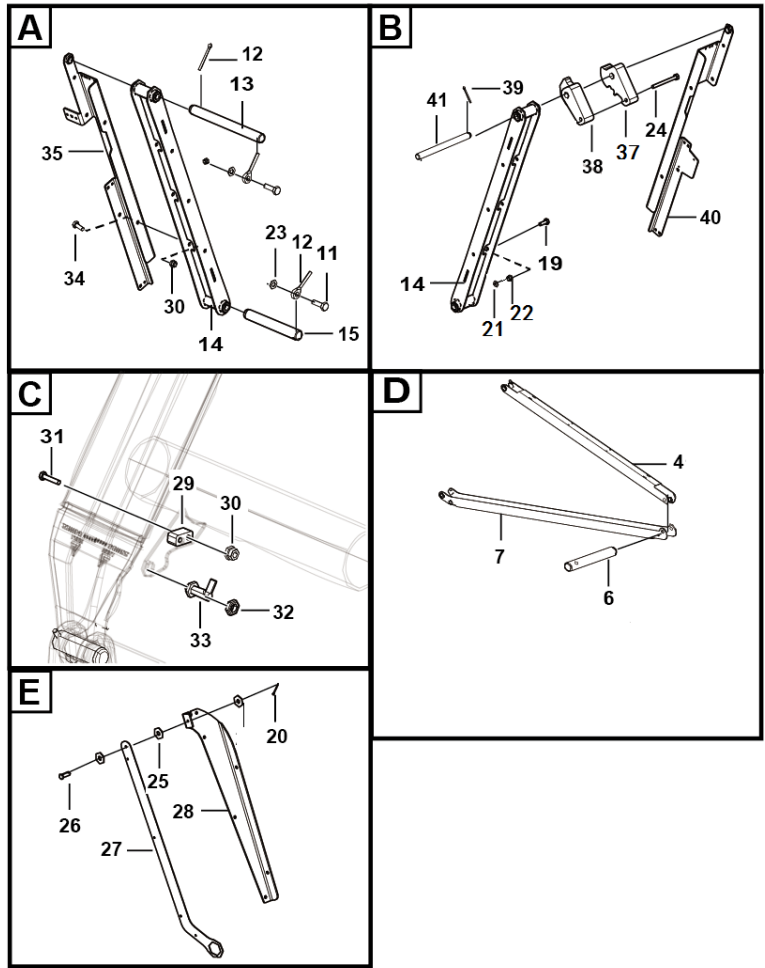
LINGONG GROUP JINAN HEAVY MACHINERY CO., LTD.

Scissor assy installation



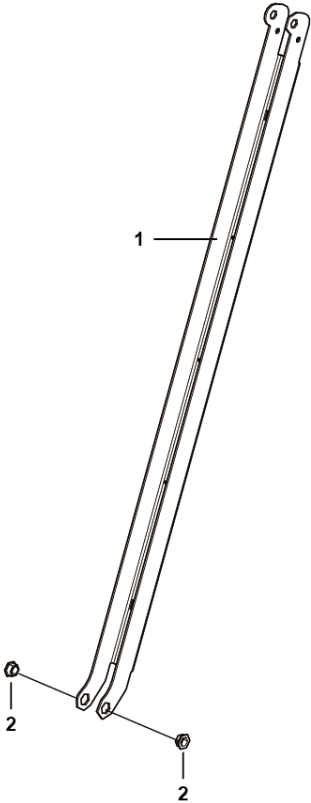
Key	Part No.	Description	Spare parts Y/N	Qty	Remarks
1	25200003171	Slider assembly	N	8	
2	25200003372	Spacer, 18*11	Y	18	
3	25200034992	Fork assembly	Y	1	
4	25200003301	Pipe support plate assembly	Y	2	
5	25200003261	Shaft, 44*384	Y	4	
6	25200003311	Shaft, 19*109	Y	6	
7	25200003291	Pipe support plate assembly	Y	2	
8	25200026031	Shaft, 44.45*137	Y	24	
9	25220000611	Pin ϕ 33-70	Y	28	
10	4011010978	Bolt gb5783-m12*30flznyc-8.8-480	Y	24	
11	4011010707	Bolt gb5783-m10*30flznyc-8.8-480	Y	14	
12	25200008311	Pin, 6.5*46	Y	14	
13	25200007871	Shaft, 19.05*199	Y	1	
14	25200003181	Tie rod assembly	Y	4	
15	25200003191	Shaft	Y	6	
16	25200005421	Shaft, 19.05*136	Y	10	
17	4015010259	Shaft, ϕ 58x304	Y	20	
18	25200003241	Washer, 88*57.15*2	Y	19	
19	4011010981	Bolt gb5783-m12*50flznyc-8.8-480	Y	4	
20	4016010173	Pin gb91-3*25flznyc-q235a-480	Y	1	
21	4013010301	Nut gb889.1-m12flznyc-8-480	Y	4	
22	4015010340	Washer gb97.1-12flznyc-300hv-480	Y	4	

Scissor assy installation



Key	Part No.	Description	Spare parts Y/N	Qty	Remarks
23	4015010339	Washer gb97.1-10flznyc-300hv-480	Y	14	
24	4011011157	Bolt gb5782-m10*100flznyc-8.8-480	Y	1	
25	25200003351	Washer, 25*9*2	Y	3	
26	4016010250	Pin gb882-b8*22flznyc-35	Y	1	
27	25200003321	Wiring plate, fixed harness	Y	1	
28	25200018271	Forming (stamping, etc.), guard plate, for protecting harness	Y	1	
29	25200003211	Spacer block, fixing protective arm	Y	1	
30	4013010296	Nut gb889.1-m10flznyc-8	Y	23	
31	4011011046	Bolt gb5783-m10*45flznyc-8.8-480	Y	2	
32	4013010515	Nut gb6173-m20flznyc-8-480	Y	1	
33	4190002684	Pin491239,, for fixing protective arm	Y	1	
34	4011010722	Bolt gb5783-m10*25flznyc-8.8-480	Y	6	
35	25200003271	Guard plate assembly	Y	1	
36	25200003201	Protective arm assembly	N	1	
37	25200019702	limit plate ,fork	Y	1	
38	25200019712	limit plate ,fork	Y	1	
39	4016010133	Cotter pin gb91-5*40flznyc--480-q235a	Y	2	
40	25200008271	Forming (stamping, etc.), guard plate assembly, fork	Y	1	
41	25200008261	Shaft, 19.05*228	Y	1	

Pipe support plate assembly



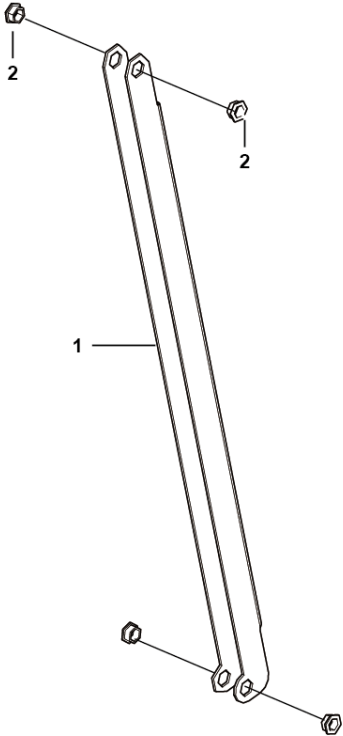
G1300-2520000329.S

Key	Part No.	Description	Spare parts Y/N	Qty	Remarks
1	25200004001	Forming (stamping, etc.), support plate	Y	1	
2	25200003881	Shaft sleeve, 19.05*9.5	Y	2	





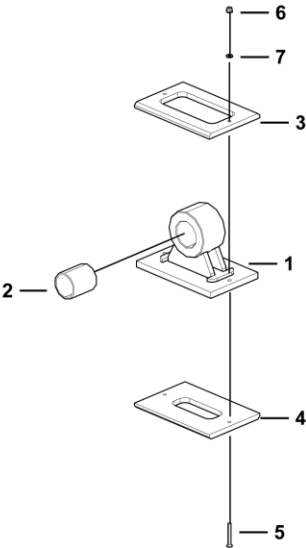
Pipe support plate assembly



G1300-2520000330.S



Slider assembly



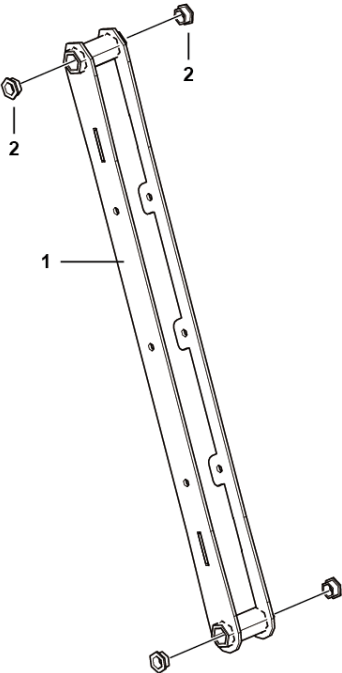
G1300-2520000317.S1a

Key	Part No.	Description	Spare parts Y/N	Qty	Remarks
1	25200003791	Weldment, support,slider	Y	1	
2	25200003641	Shaft sleeve,44.45*57	Y	1	
3	25200005471	Slider	Y	1	
4	25200003801	Slider	Y	1	
5	4014010069	Screw gb819-m6*45epzn-8.8	Y	2	
6	4013000211	Nut gb889.1-m6epzn-8	Y	2	
7	4015000207	Washer gb97.1-6epzn-300hv	Y	2	





Tie rod assembly



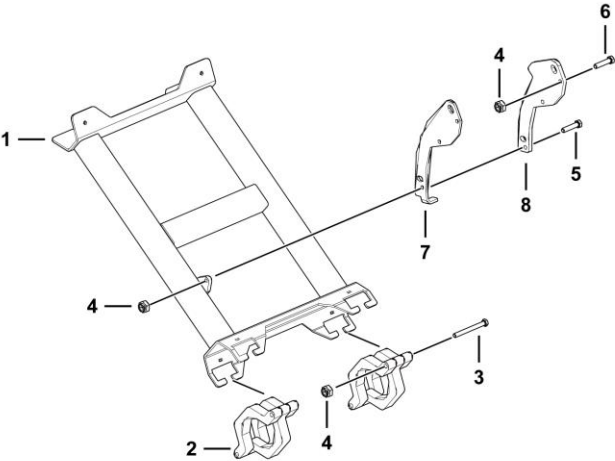
G1300-2520000318.S

Key	Part No.	Description	Spare parts Y/N	Qty	Remarks
1	25200003871	Weldment, tie rod, fork	Y	1	
2	25200003881	Shaft sleeve, 19.05*9.5	Y	4	



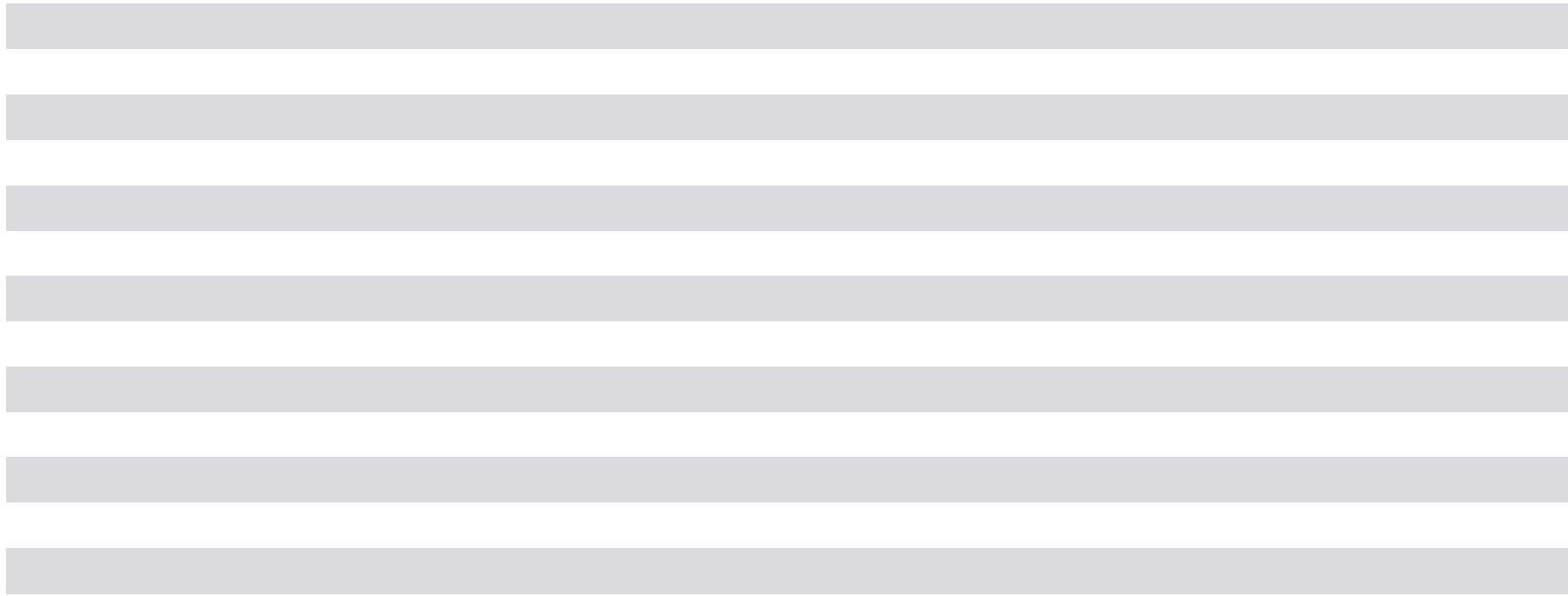


Protective arm assembly



G1300-2520000320.S1b

Key	Part No.	Description	Spare parts Y/N	Qty	Remarks
1	25200003941	Weldment,protective arm	Y	1	
2	25200004422	Ear sleeve, protecting arm	Y	6	
3	4011000817	Bolt gb5782-m10*100epzn-8.8	Y	4	
4	4013000189	Nut gb889.1-m10epzn-8	Y	7	
5	4011000084	Bolt gb5783-m10*30epzn-8.8	Y	1	
6	4011000514	Bolt gb5783-m10*45epzn-8.8	Y	2	
7	25200007881	Forming (stamping, etc.), limit plate,protective arm	Y	1	
8	25200007891	Pin plate, protective arm	Y	1	

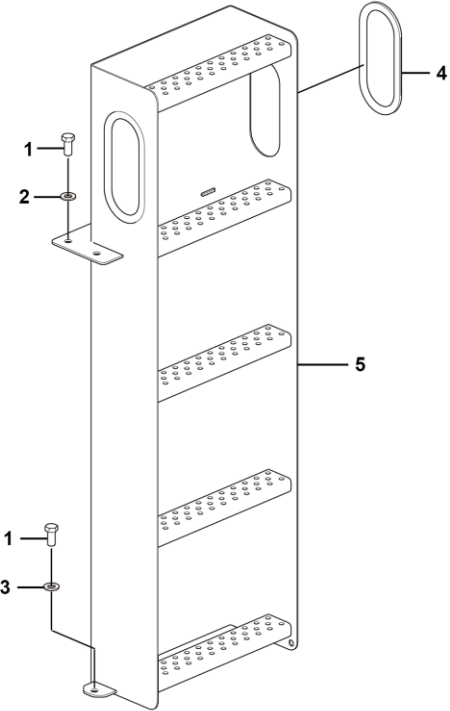


I
COVER ACCESSORY



LINGONG GROUP JINAN HEAVY MACHINERY CO., LTD.

Closure accessory



I1700-2529001045.S

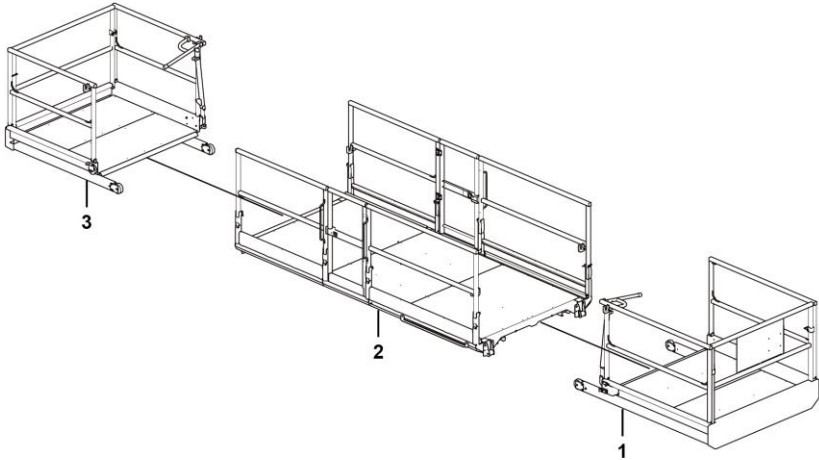
K
PLATFORM ASSEMBLY



LINGONG GROUP JINAN HEAVY MACHINERY CO., LTD.

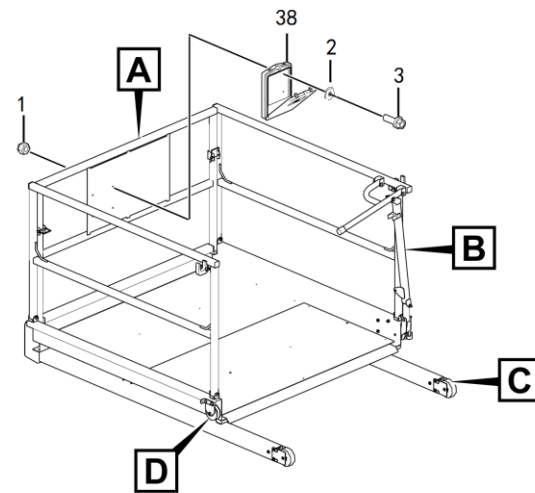
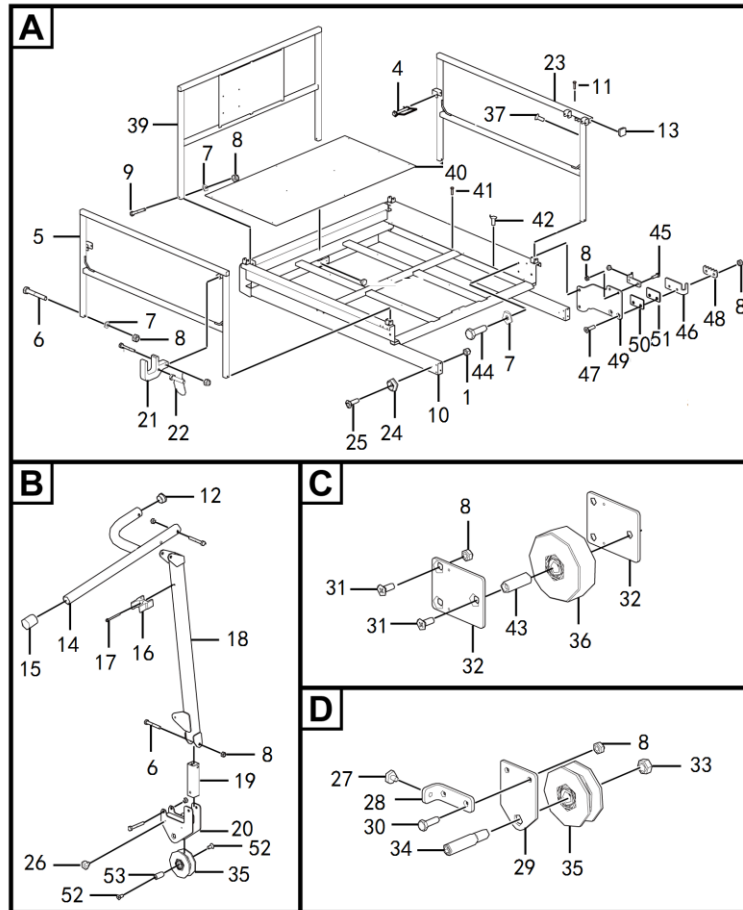


Platform assembly



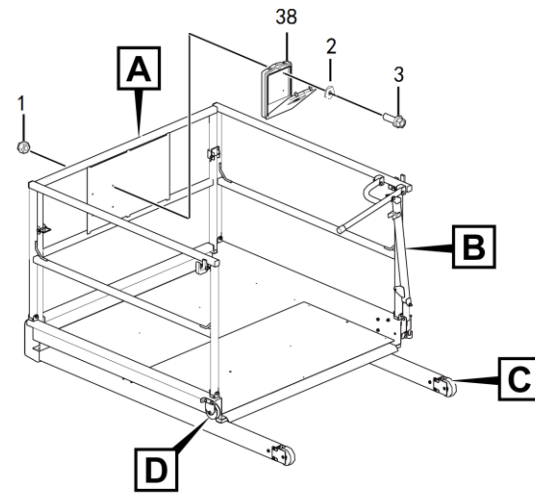
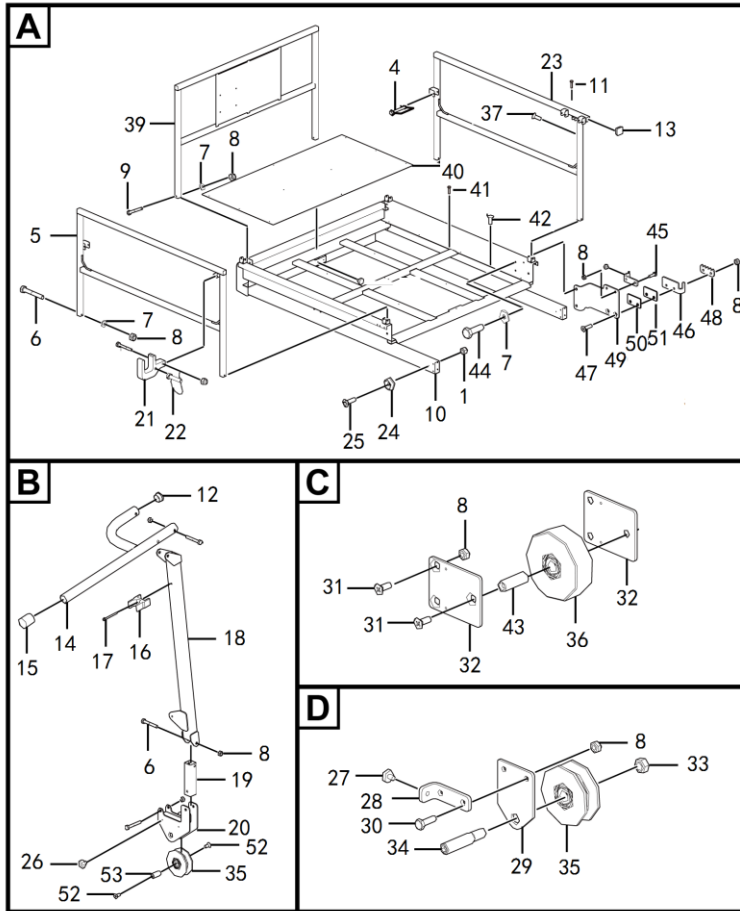
K2100-2521005027.S

Front extension platform assembly



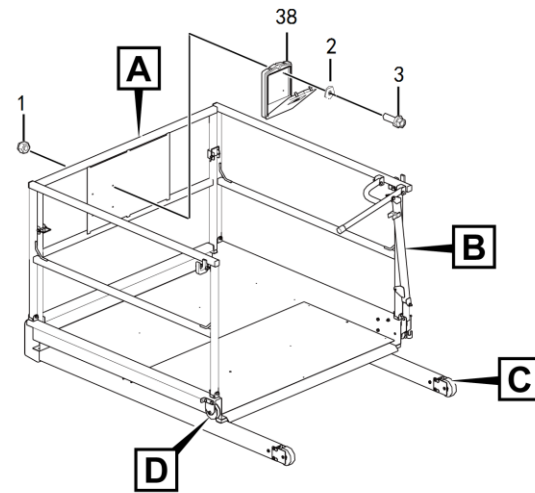
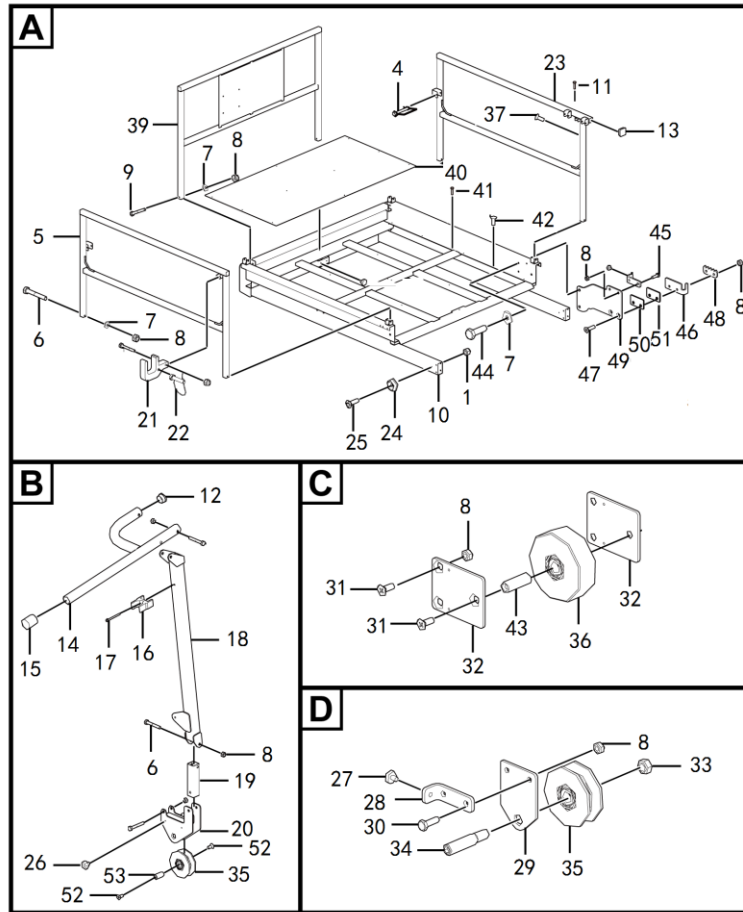
Key	Part No.	Description	Spare parts Y/N	Qty	Remarks
1	4013010300	Nut gb889.1-m6flznyc-8-480	Y	1	
2	4015010284	Washer gb97.1-6flznyc-480	Y	1	
3	4011010735	Bolt gb16674-m6*16flznyc-8.8-480	Y	1	
4	4190002586	Pin - square pin with lug 9.5*70	Y	1	
5	25210015892	Weldment, rail, front extension deck	Y	1	
6	4011010729	Bolt gb5782-m10*65flznyc-8.8-480	Y	1	
7	4015010339	Washer gb97.1-10flznyc-300hv-480	Y	1	
8	4013010296	Nut gb889.1-m10flznyc-8	Y	1	
9	4011010825	Bolt gb5782-m10*70flznyc-8.8	Y	1	
10	25210025453	Extension deck base plate	Y	1	
11	4011011076	Nut gb5782-m6*40flznyc-8.8-480	Y	1	
12	4190003663	Round pipe plug 111065	Y	1	
13	4190002358	Square pipe plug 111541	Y	1	
14	25210005281	Weldment,handle,main platform	Y	1	
15	4190002359	Tapered sheath 497444	Y	1	
16	25210005611	Clamping plate, fixing pull rod, rear extension platform	Y	1	
17	4011011185	Nut gb16674-m6*60flznyc-8.8-480	Y	1	
18	25210025532	Weldment, tie rod, suppor trail	Y	1	
19	25210005302	Connecting rod , for fixing wheel, rear extension deck	Y	1	
20	25210005571	Weldment,wheel bracket ,rear extension deck	Y	1	
21	25210005791	Guide pad, left rail	Y	1	
22	4190703678	Pin - d-type pin with lug 10 × 50, with 150mm chain	Y	1	

Front extension platform assembly



Key	Part No.	Description	Spare parts Y/N	Qty	Remarks
23	25210015922	Weldment, rail, rear extension deck	Y	1	
24	25210005681	Foot pad, front extension platform	Y	1	
25	4014010338	Screw gb70.3-m6*20flznyc-8.8-480	Y	1	
26	4190002362	Quick-loading foot pad ff-005-p4x8b	Y	1	
27	4190002363	Rivet pin 462786	Y	1	
28	25210005591	Forming (stamping, etc.), limit plate, for fixing wheel	Y	1	
29	25210005581	Mounting plate, fixed the wheel.	Y	1	
30	4011010707	Bolt gb5783-m10*30flznyc-8.8-480	Y	1	
31	4014010502	Screw gb70.3-m10*25flznyc-8.8-480	Y	1	
32	25210005691	Fixed plate, for wheel, front extension deck	Y	1	
33	4013010302	Bolt gb889.1-m16flznyc-8-480	Y	1	
34	25210005651	Shaft, m16*25.5	Y	1	
35	25210025511	Plastic block, φ102	Y	1	
36	25210025521	Roller, φ112.5	Y	1	
37	4019010209	Break mandrel blind rivet gb12619-5*9	Y	1	
38	25210000821	Manual box	Y	1	
39	25210015901	Weldment, rail, front extension deck	Y	1	
40	25210025461	Base plate, for protecting extension deck	Y	1	
41	4019010206	Break mandrel blind rivet gb12619-6x14	Y	1	
42	4014010349	Screw gb818-m6*16flznyc-8.8	Y	1	
43	25210005671	Pipe, m10*50.5	Y	1	
44	4011010724	Bolt gb5782-m10*75flznyc-8.8	Y	1	

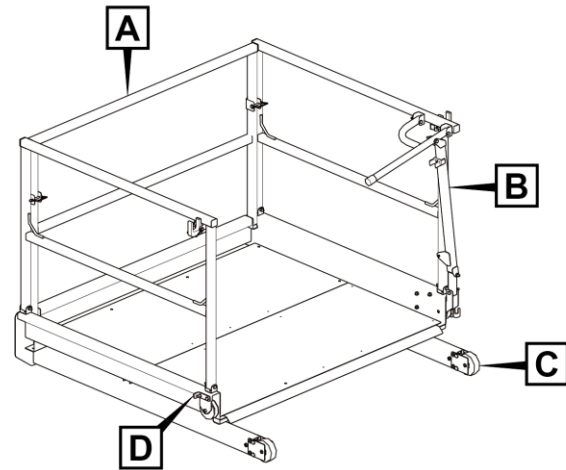
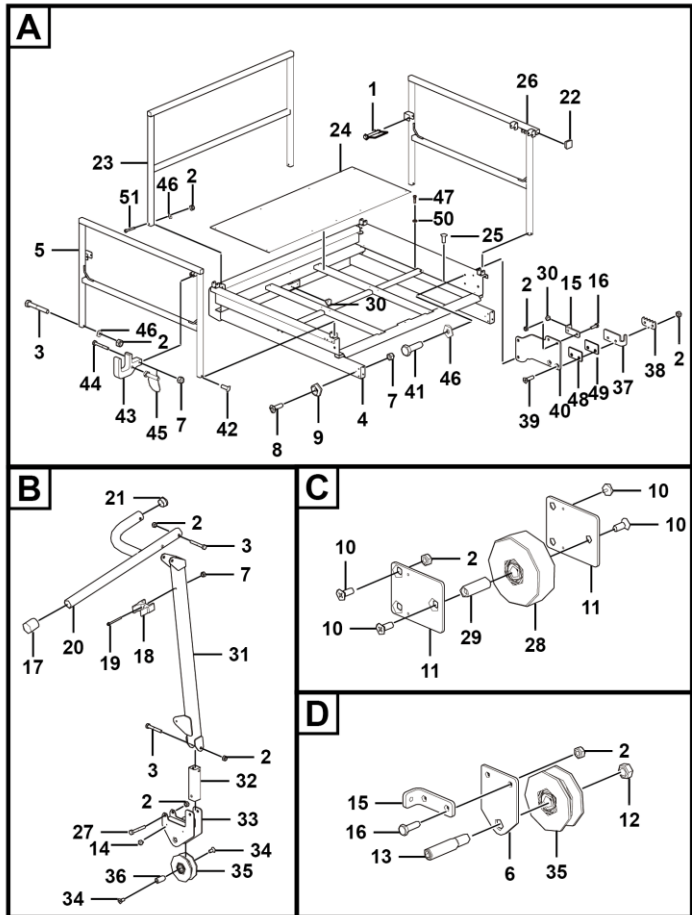
Front extension platform assembly



Key	Part No.	Description	Spare parts Y/N	Qty	Remarks
45	4011010722	Bolt gb5783-m10*25flznyc-8.8-480	Y	1	
46	25210005621	Forming (stamping, etc.), guide plate ,rear extension deck	Y	1	
47	4014010503	Screw gb70.3-m10*40flznyc-8.8-480	Y	1	
48	25210005631	Toothed plate, fixing pull rod, rear extension platform	Y	1	
49	25210025431	Forming (stamping, etc.), fixed plate, for fixing tie rod,rear extension deck	Y	1	
50	25210025501	Shim, 45*80*1	Y	1	
51	25210025491	Shim, 45*80*3	Y	1	
52	4014010473	Bolt	Y	1	
53	25210005661	Pipe,m10*35	Y	1	



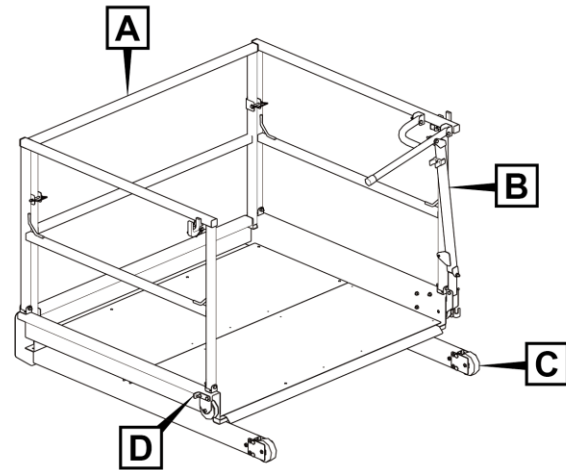
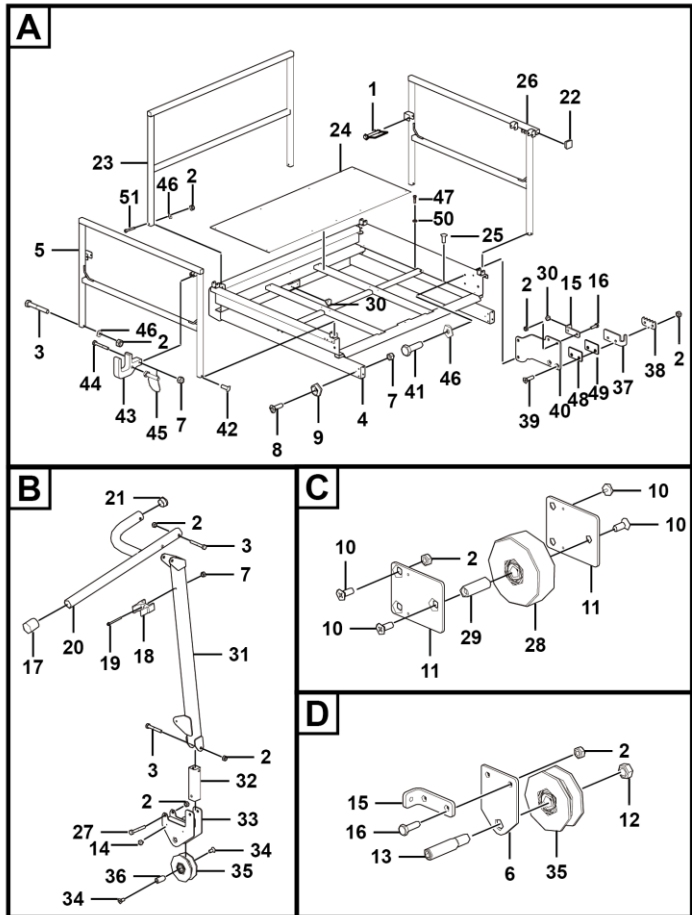
Rear extension platform assembly



K2101-2521002538.S1C

Key	Part No.	Description	Spare parts Y/N	Qty	Remarks
1	4190002586	Pin - square pin with lug 9.5*70	Y	2	
2	4013000189	Nut gb889.1-m10epzn-8	Y	28	
3	4011000497	Bolt gb5782-m10*65epzn-8.8	Y	9	
4	25210025393	Extension deck base plate	Y	1	
5	25210015942	Weldment, right rail, rear extension deck	Y	1	
6	25210005581	Mounting plate, fixed the wheel,	Y	1	
7	4013010300	Nut gb889.1-m6flznyc-8-480	Y	6	
8	4014010056	Screw gb70.3-m6*20epzn-8.8	Y	5	
9	25210005681	Foot pad, front extension platform	Y	5	
10	4014010066	Screw gb70.3-m10*25epzn-8.8	Y	12	
11	25210005691	Fixed plate, for wheel , front extension deck	Y	4	
12	4013000255	Nut gb889.1-m16epzn-8	Y	1	
13	25210005651	Shaft, m16*25.5	Y	1	
14	4190002362	Quick-loading foot pad ff-005-p4x8b	Y	5	
15	25210005591	Forming (stamping, etc.), limit plate, for fixing wheel	Y	2	
16	4011000084	Bolt gb5783-m10*30epzn-8.8	Y	4	
17	4190002359	Tapered sheath 497444	Y	1	
18	25210005611	Clamping plate, fixing pull rod, rear extension platform	Y	1	
19	4014010068	Bolt gb16674-m6*60epzn-8.8	Y	1	
20	25210005281	Weldment, handle, main platform	Y	1	
21	4190003663	Round pipe plug 111065	Y	2	
22	4190002358	Square pipe plug 111541	Y	6	

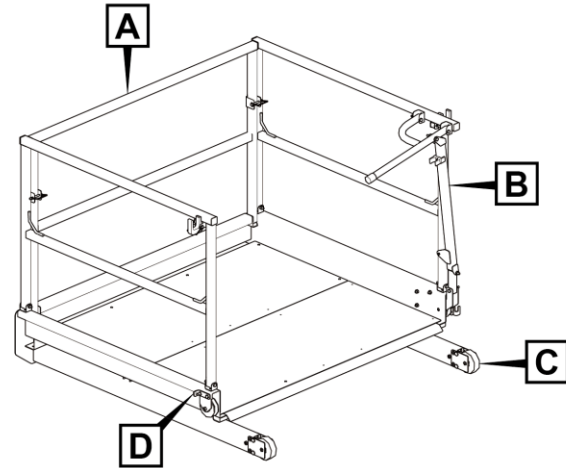
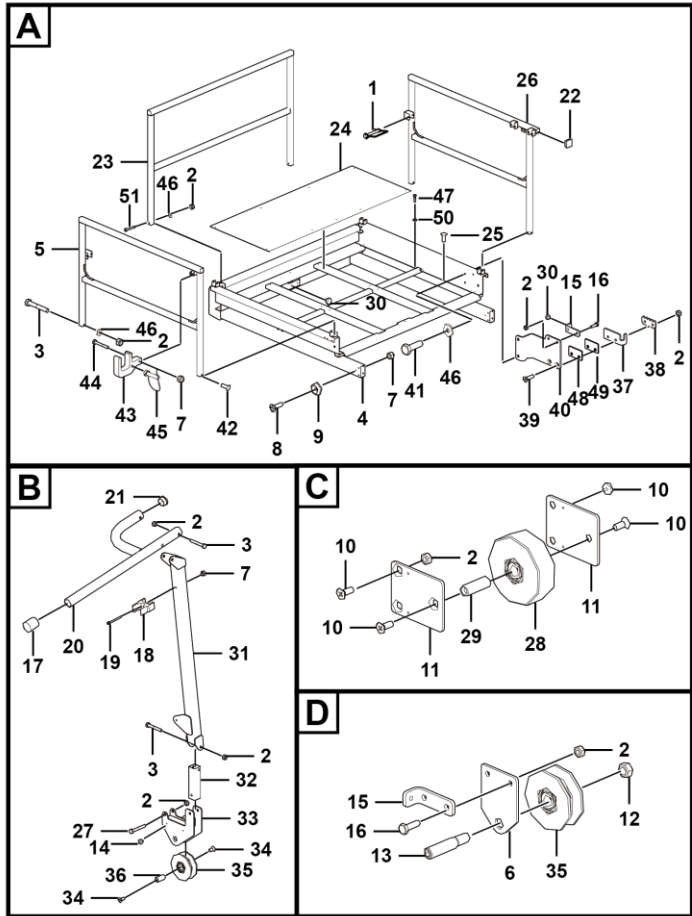
Rear extension platform assembly



K2101-2521002538.S1C

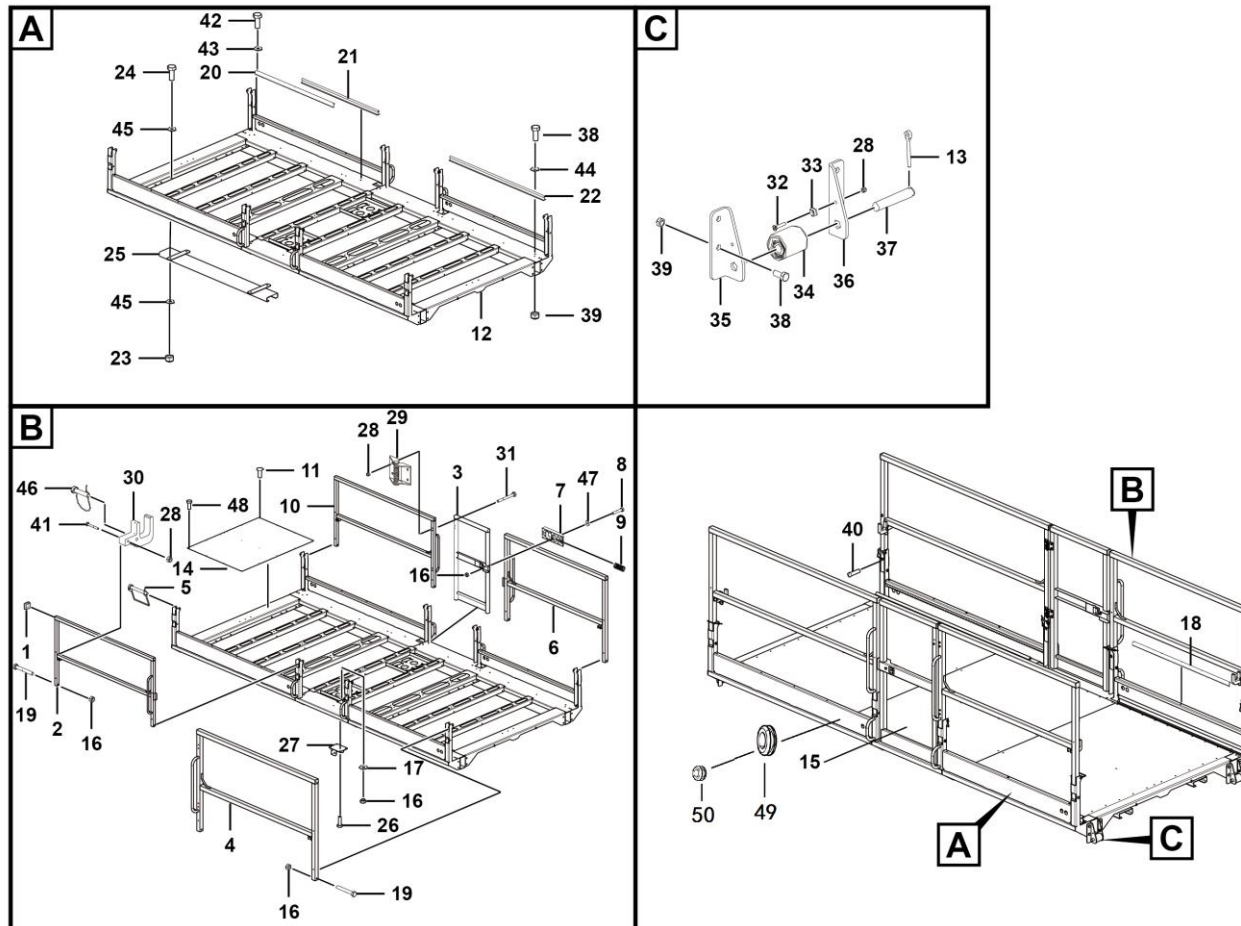
Key	Part No.	Description	Spare parts Y/N	Qty	Remarks
23	25210015931	Weldment, rail, rear extension deck	Y	1	
24	25210025401	Base plate,for protecting extension deck	Y	2	
25	4019010206	Break mandrel blind rivet gb12619-6x14	Y	8	
26	25210015912	Weldment, left rail,rear extension deck	Y	1	
27	4011000052	Bolt gb5782-m10*75epzn-8.8	Y	1	
28	25210025521	Roller , ϕ 112.5	Y	2	
29	25210005671	Pipe,m10*50.5	Y	2	
30	4190002363	Rivet pin 462786	Y	4	
31	25210025532	Weldment, tie rod, suppor trail	Y	1	
32	25210005302	Connecting rod , for fixing wheel, rear extension deck	Y	1	
33	25210005571	Weldment,wheel bracket ,rear extension deck	Y	1	
34	4014010071	Screw gb70.3-m10*20epzn-8.8	Y	2	
35	25210025511	Plastic block, ϕ 102	Y	2	
36	25210005661	Pipe,m10*35	Y	1	
37	25210005621	Forming (stamping, etc.), guide plate ,rear extension deck	Y	1	
38	25210005631	Toothed plate, fixing pull rod, rear extension platform	Y	1	
39	4014010234	Screw gb70.3-m10*40epzn-8.8	Y	2	
40	25210025431	Forming (stamping, etc.), fixed plate, for fixing tie rod,rear extension deck	Y	1	
41	4011000082	Bolt gb5783-m10*25epzn-8.8	Y	2	
42	4019010209	Break mandrel blind rivet gb12619-5*9	Y	4	
43	25210005791	Guide pad, left rail	Y	2	
44	4011010628	Bolt gb5782-m6*40epzn-8.8	Y	2	

Rear extension platform assembly



K2101-2521002538.S1C

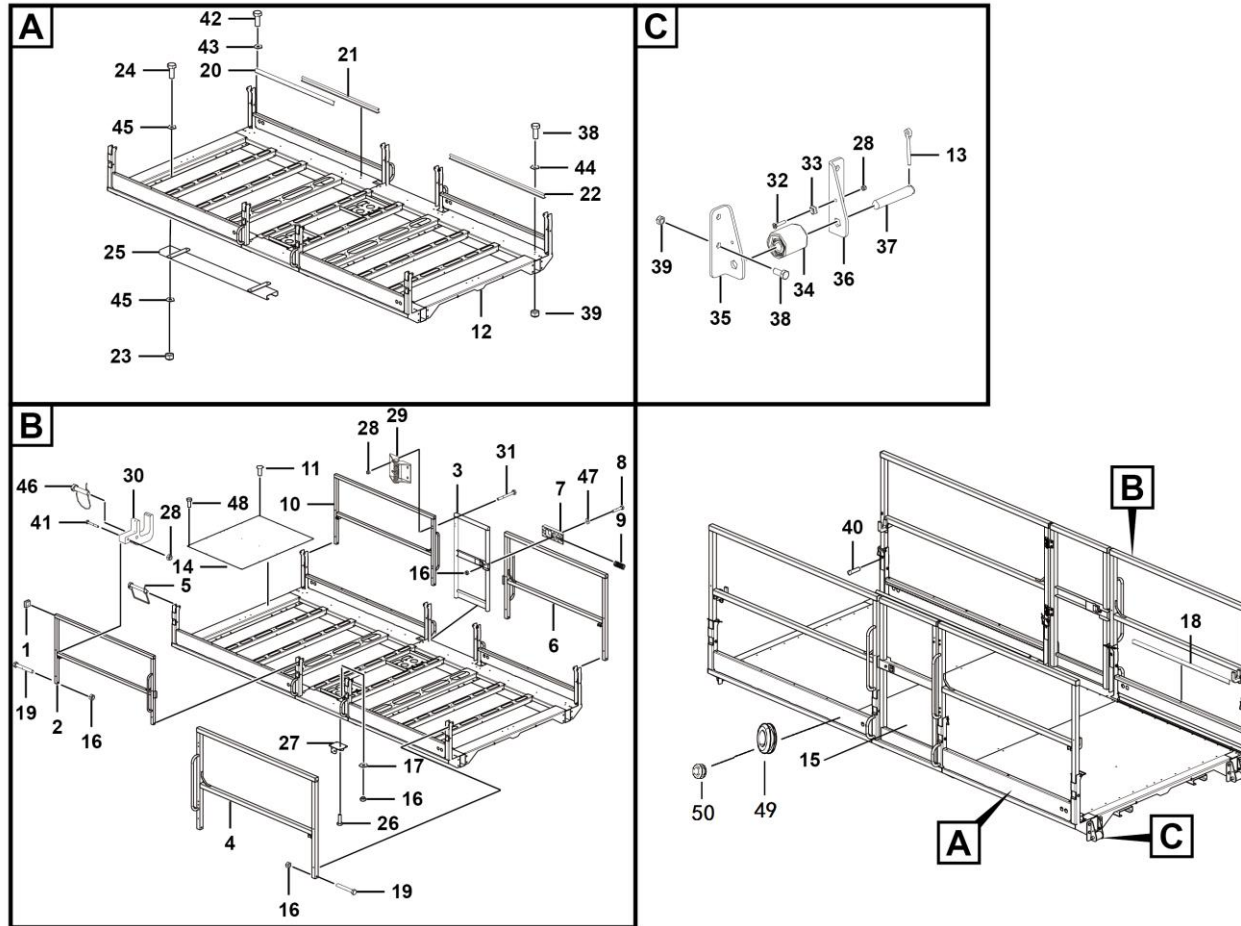
Main platform



K2100-2521005026.S

Key	Part No.	Description	Spare parts Y/N	Qty	Remarks
1	4190002358	Square pipe plug 111541	Y	12	
2	25210050212	Right-behind guardrail	Y	1	
3	25210050172	Rotate door	Y	2	
4	25210050251	Right-front guardrail	N	1	
5	4190002586	Pin - square pin with lug 9.5*70	Y	8	
6	25210050242	Left-front guardrail	Y	1	
7	25210011051	Plastic block, platform gate	Y	2	
8	4011010741	Bolt gb5782-m10*55flznyc-8.8-480	Y	2	
9	25210002071	Spring 1.4*6*50	Y	2	
10	25210050201	Left-behind guardrail	Y	1	
11	4019010206	Break mandrel blind rivet gb12619-6x14	Y	70	
12	25210050113	Weld main deck	Y	1	
13	25210006461	Shaft -6, 6.5*60	Y	4	
14	25210033971	Weldment, main platform deck	Y	2	
15	25210050141	Plate	N	1	
16	4013010372	Nut gb889.1-m10flznyc-8-480	Y	18	
17	4015010279	Washer gb97.1-10flznyc-480	Y	16	
18	25210024771	Forming (stamping, etc.), toothed plate 2, protecting rail, main platform	Y	1	
19	4011010825	Bolt gb5782-m10*70flznyc-8.8	Y	8	
20	25210024761	Forming (stamping, etc.), toothed plate 1, protecting rail, main platform	Y	1	
21	25210005461	Guide rail 2, main platform	Y	2	
22	25210005471	Guide rail 1, main platform	Y	2	

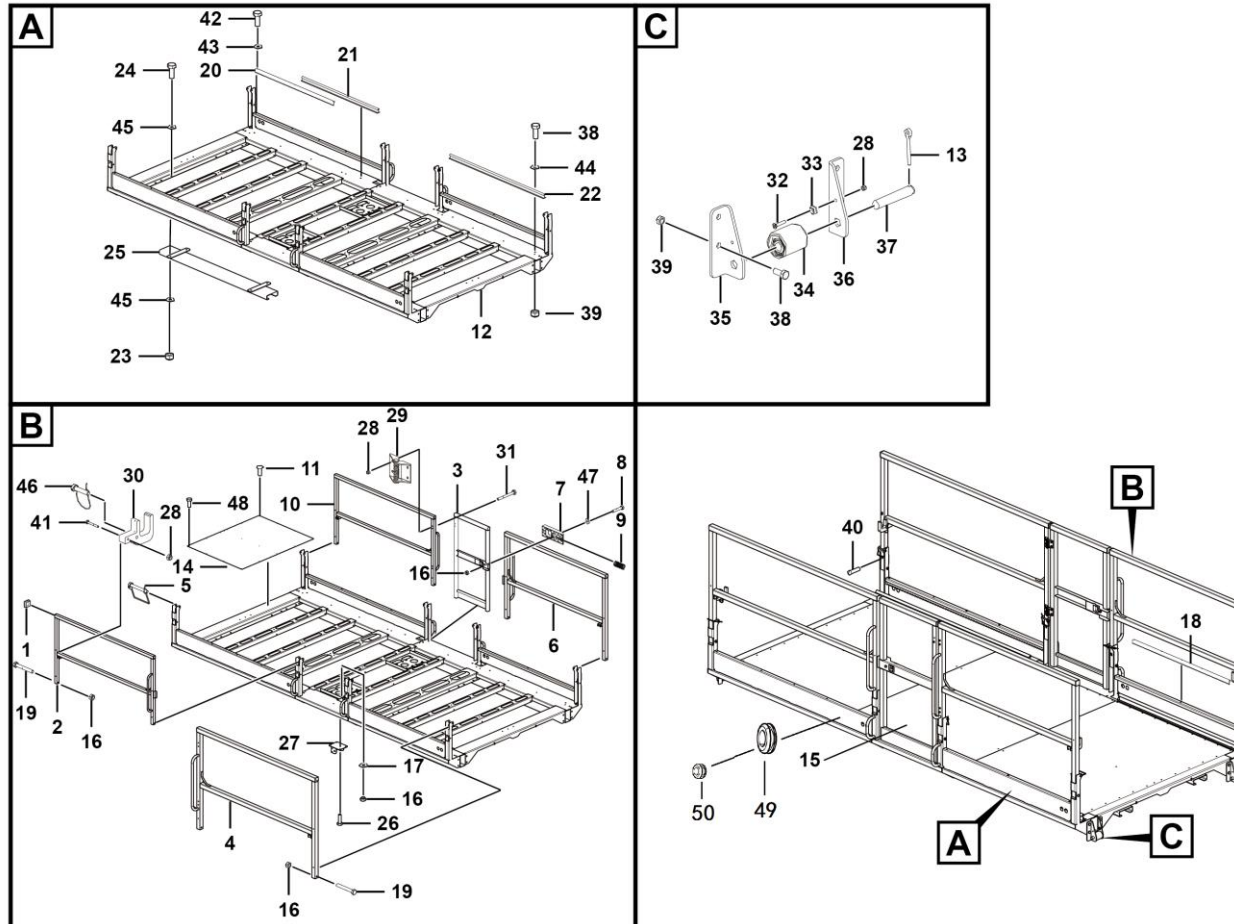
Main platform



K2100-2521005026.S

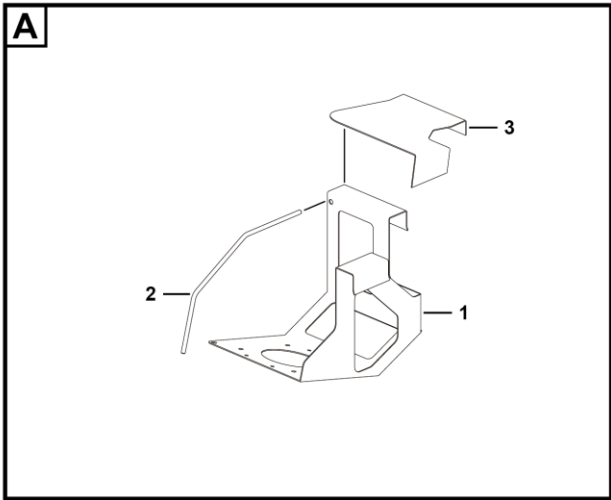
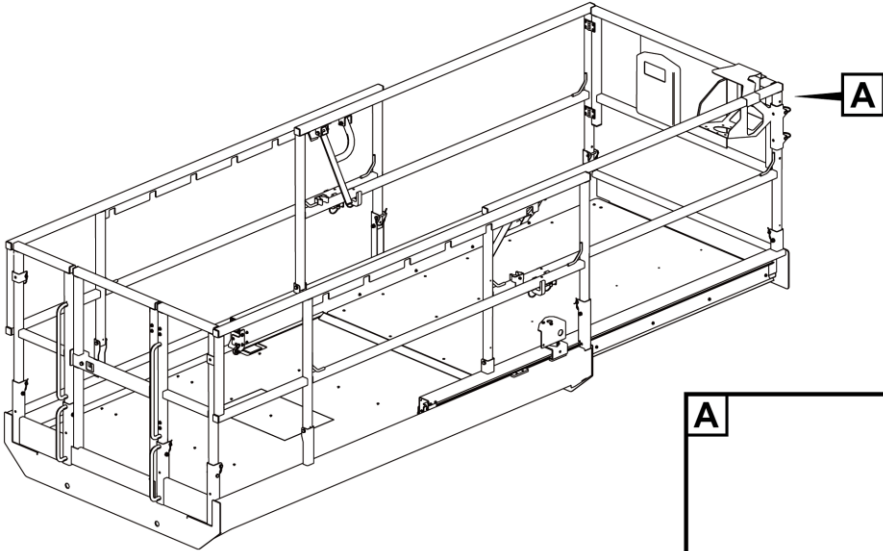
Key	Part No.	Description	Spare parts Y/N	Qty	Remarks
23	4013010301	Nut gb889.1-m12flznyc-8-480	Y	32	
24	4011010978	Bolt gb5783-m12*30flznyc-8.8-480	Y	32	
25	25210041601	Slide welding	Y	4	
26	4011010707	Bolt gb5783-m10*30flznyc-8.8-480	Y	8	
27	25210005541	Weldment, fork fixed seat , fork	Y	2	
28	4013010299	Nut gb889.1-m6flznyc-8	Y	41	
29	4190001525	Spring hinge x022	Y	4	
30	25210005791	Guide pad, left rail	Y	4	
31	4011010920	Bolt gb5782-m6*55flznyc-8.8-480	Y	16	
32	4014010129	Screw gb70.3-m6*30flznyc-8.8-480	Y	4	
33	25210005681	Foot pad, front extension platform	Y	4	
34	25210016621	Weldment, wheel,φ57,main platform	Y	4	
35	25210005811	Forming (stamping, etc.), wheel fixed plate, main platform	Y	4	
36	25210005551	Forming (stamping, etc.), wheel fixed plate, main platform	Y	4	
37	25210005821	Pin , φ20*105	Y	4	
38	4011010711	Bolt gb5783-m8*20flznyc-8.8-480	Y	8	
39	4013010297	Nut gb889.1-m8flznyc-8-480	Y	8	
40	4019010209	Break mandrel blind rivet gb12619-5*9	Y	12	
41	4011011076	Nut gb5782-m6*40flznyc-8.8-480	Y	4	
42	4011010731	Bolt gb5783-m6*25flznyc-8.8-480	Y	8	
43	4015010284	Washer gb97.1-6flznyc-480	Y	45	
44	4015010280	Washer gb97.1-8flznyc-480	Y	8	

Main platform



K2100-2521005026.S

Pcu bracket weldment

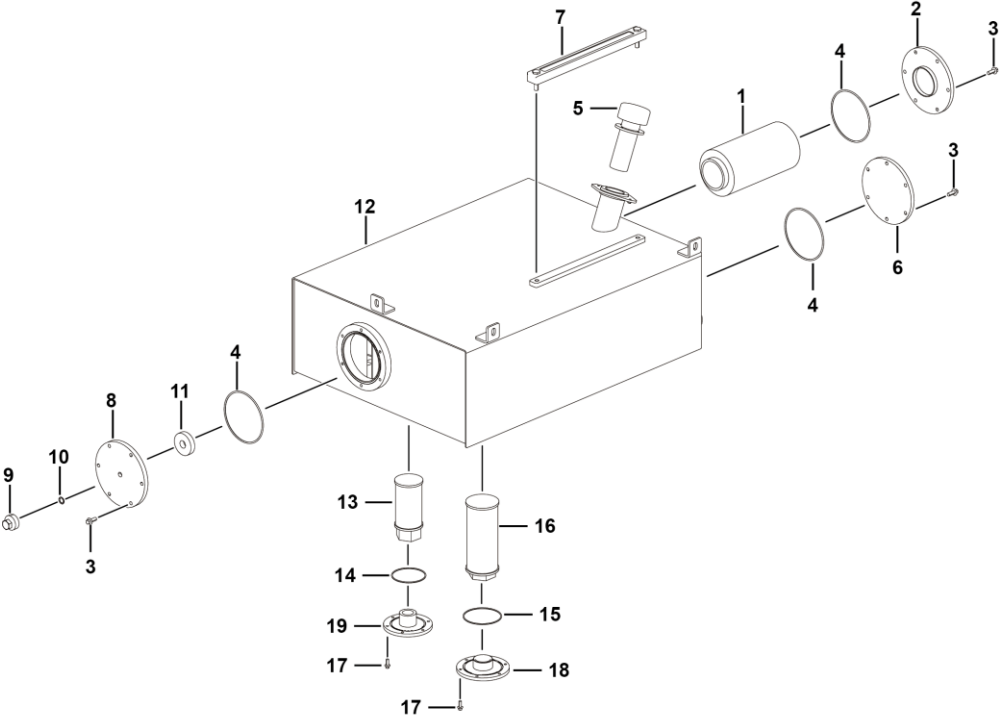


L
HYDRAULIC SYSTEM



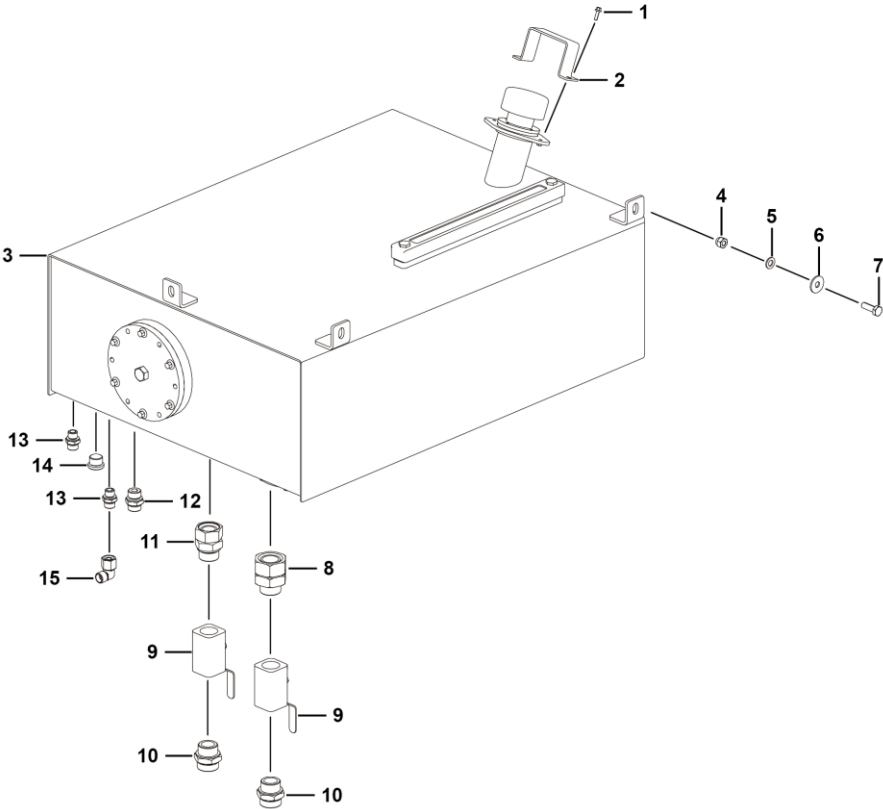
LINGONG GROUP JINAN HEAVY MACHINERY CO., LTD.

Distribution assembly of hydraulic oil tank



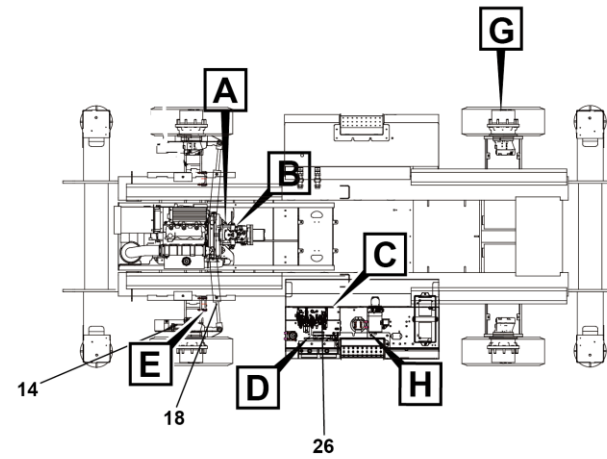
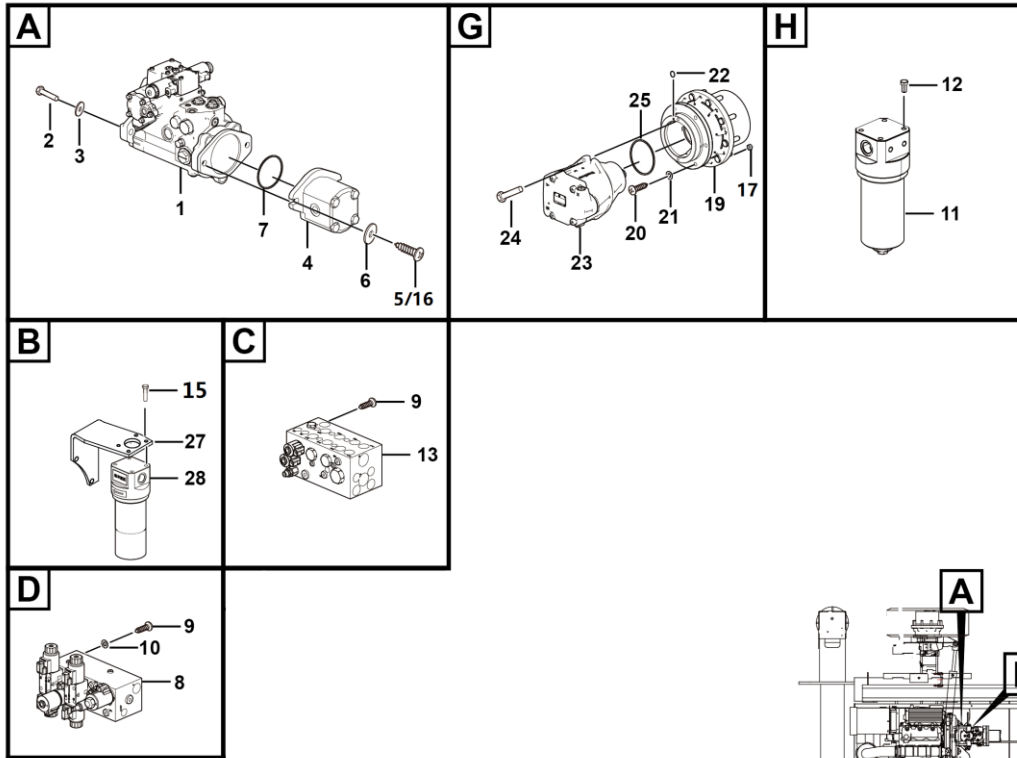
Key	Part No.	Description	Spare parts Y/N	Qty	Remarks
1	4120000304	Oil return filter element	Y	1	
2	25100000751	Weldment,oil tank cover	Y	1	
3	4011010966	Bolt gb16674-m8*20flznyc-8.8-480	Y	18	
4	4030000633	O-ring gb3452.1-128*3.55g	Y	3	
5	4120001427	Air cleaner ef2-32	Y	1	
6	25100000571	Flange	Y	1	
7	4120706260	Level gauge ywz-350t	Y	1	
8	27160105801	Drain flange, φ170	Y	1	
9	4041000774	Plug lgb135-01422	Y	1	
10	4041000767	O-ring lgb168-11124	Y	1	
11	4120000669	Ring magnet lg03-ct58*20*13	Y	1	
12	25100006051	Hydraulic oil tank welding body	N	1	
13	4120001891	Suction filter wu-100*180-j	Y	1	
14	4030000472	O-ring gb3452.1-80.0*2.65g	Y	1	
15	4030000479	O-ring gb3452.1-90.0*2.65g	Y	1	
16	4120709275	Filter wu-160*180-j	Y	1	
17	4011010735	Bolt gb16674-m6*16flznyc-8.8-480	Y	12	
18	25100006101	Oil-absorbing flange	Y	1	
19	25100000211	Weldment, suction flange assembly	Y	1	

Hydraulic oil tank



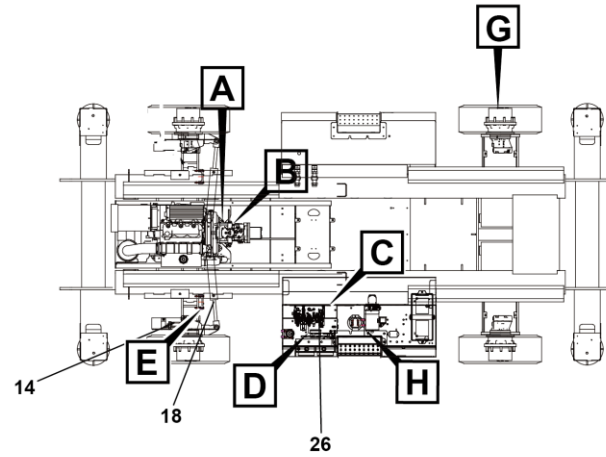
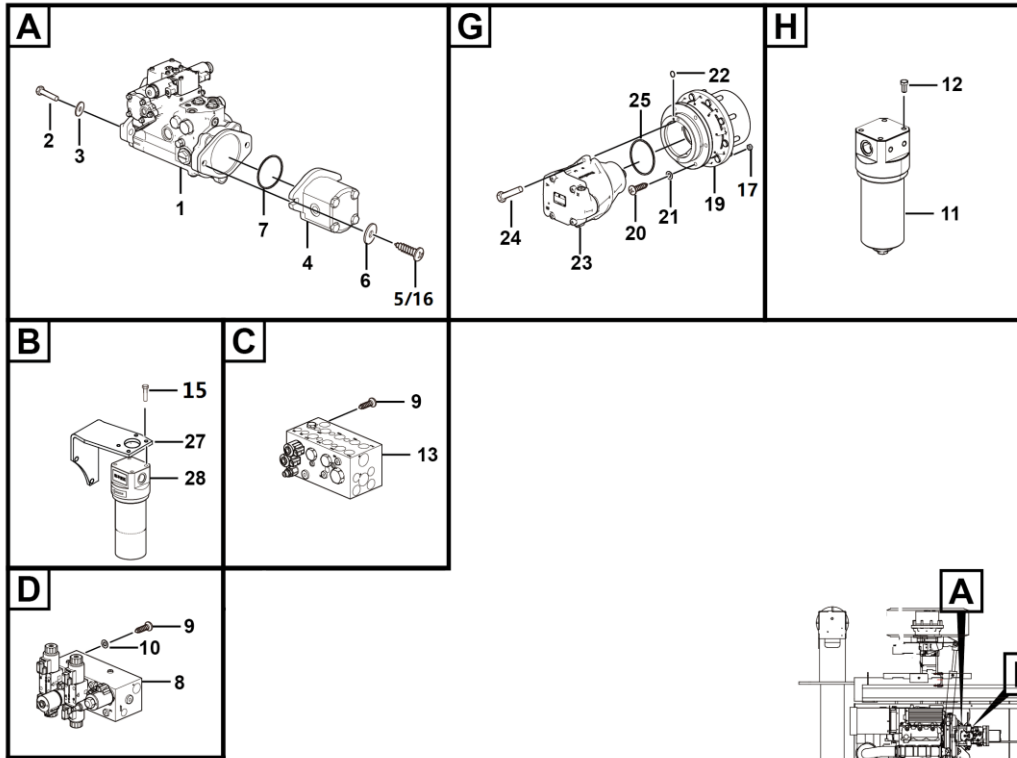
Key	Part No.	Description	Spare parts Y/N	Qty	Remarks
1	4011011061	Bolt gb16674-m5*16flznyc-8.8-480	Y	2	
2	25100003302	Forming (stamping, etc.), cleaner guard plate,	Y	1	
3	25100006041	Distribution assembly of hydraulic oil tank	N	1	
4	4013010296	Nut gb889.1-m10flznyc-8	Y	3	
5	4015010339	Washer gb97.1-10flznyc-300hv-480	Y	3	
6	4015010278	Washer gb96.1-10flznyc-480	Y	3	
7	4011010707	Bolt gb5783-m10*30flznyc-8.8-480	Y	3	
8	4120709286	Joint ege35lr1ed	Y	1	
9	4120002091	Ball valve 3pc-q11f-16-1"	Y	2	
10	4120704908	Straight fitting ge28lredomdcf	Y	2	
11	4190002889	Straight fitting ege28lred	Y	1	
12	4120002235	Fitting ge15lredomdcf	Y	1	
13	4120001224	Fitting ge12lredomdcf	Y	2	
14	4120706935	Plug	Y	1	
15	4129900314	Fitting ew12lomda3c	Y	1	

Drive hydraulic assembly



Key	Part No.	Description	Spare parts Y/N	Qty	Remarks
1	4120001425	Walking variable displacement pump	Y	1	
2	4011011161	Bolt gb16674-m12*45flznyc-12.9-480	Y	2	
3	4015010297	Washer gb1230-12-45	Y	10	
4	4120001574	Gear pump	Y	1	
5	4014010064	Screw1/2-13unc-2a*30-10.9	Y	1	
6	4015010340	Washer gb97.1-12flznyc-300hv-480	Y	2	
7	4120001880	O-ring 94.97*1.75	Y	1	
8	4120704890	Lift control valve st5195-ab00	Y	1	
9	4011010966	Bolt gb16674-m8*20flznyc-8.8-480	Y	8	
10	4015010280	Washer gb97.1-8flznyc-480	Y	4	
11	4120001428	High-pressure filter kglb-0080005I	Y	1	
12	4011010964	Bolt gb16674-m8*16flznyc-8.8-480	Y	4	
13	4120704891	Travel control valvest5196-ab00	Y	1	
14	25070005971	Front motor steel pipe assembly, motor	Y	1	
15	4011010757	Bolt gb16674-m6*20flznyc-8.8	Y	4	
16	4014010591	Screw 1/2-13unc-2a*1-1/2flznyc-10.9-480	Y	1	
17	25070004001	Ansi hexagon cone nut 5/8-18unf	Y	1	
18	4120706355	Steer cylinder 50*25*301*540	Y	2	
19	4120703167	Driving reducer	Y	4	
20	4014010078	Screw 5/8-11unf-2b*1.5inch-10.9	Y	24	
21	4015010342	Washer gb97.1-16flznyc-300hv-480	Y	24	
22	4120002452	O-ring as568-6.07*1.78	Y	4	

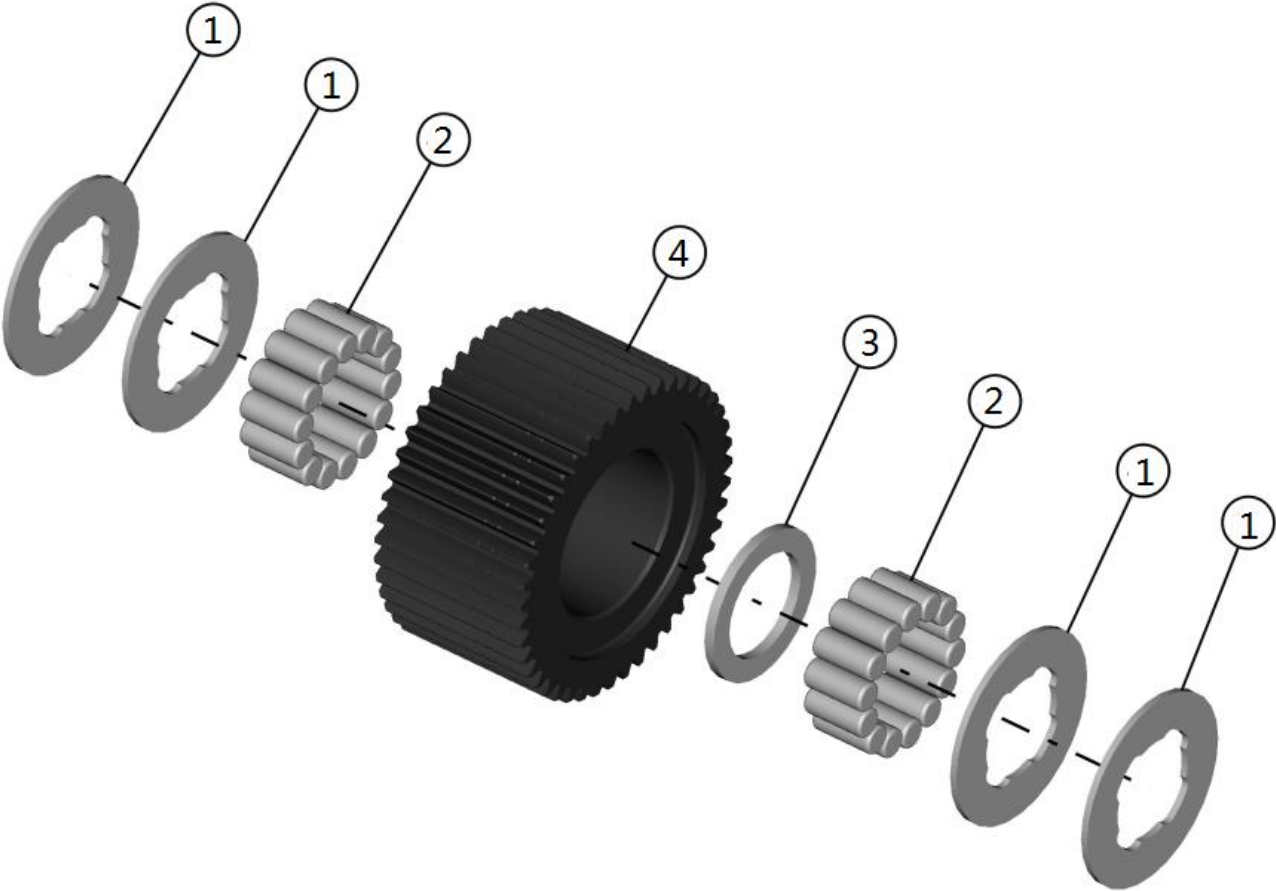
Drive hydraulic assembly



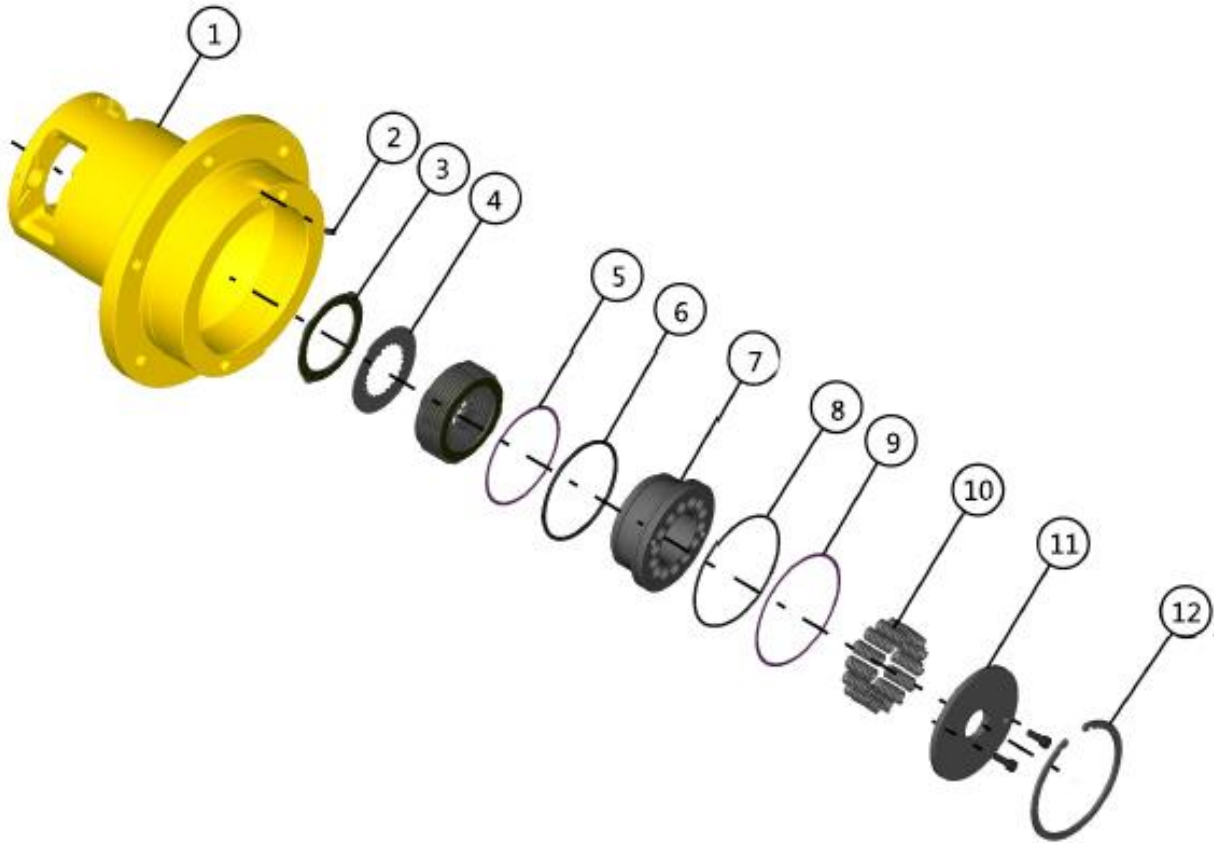
Key	Part No.	Description	Spare parts Y/N	Qty	Remarks
23	4120001570	Drive motor	Y	4	
24	4011010516	Bolt 7/16-14unc-2b*30-10.9	Y	8	
25	4120001881	O-ring 120.3*2.62	Y	4	
26	25070005961	Pipe layout diagram of traveling hydraulic system	N	1	
27	25070005923	Forming (stamping, etc.)	Y	1	
28	4120704833	Pipeline filter kgl-0100005l	Y	1	



Output planetary gear assembly

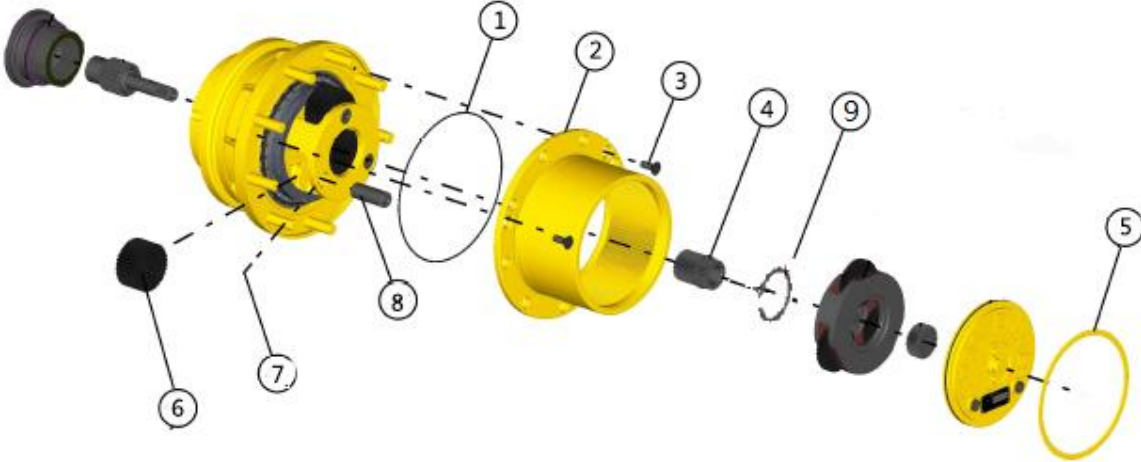


Input brake disc assembly



Key	Part No.	Description	Spare parts Y/N	Qty	Remarks
1	4120704497022	Main shaft housing d2400716	Y	1	
2	4120704497024	Blockage 950407	Y	1	
3	4120704497025	Brake stator 902427a	N	9	
4	4120704497026	Brake rotor 902426a	N	8	
5	4120704497027	Snap ring 9400258	Y	1	
6	4120704497028	O-ring 9400256	Y	1	
7	4120704497073	Brake piston 902430	Y	1	
8	4120704497030	O-ring 9400102	Y	1	
9	4120704497031	O-ring 9400248	Y	1	
10	4120704497029	Spring 901537	Y	1	
11	4120704497033	Pressure disc 9604124	Y	1	
12	4120704497035	Snap ring 9100328	Y	1	

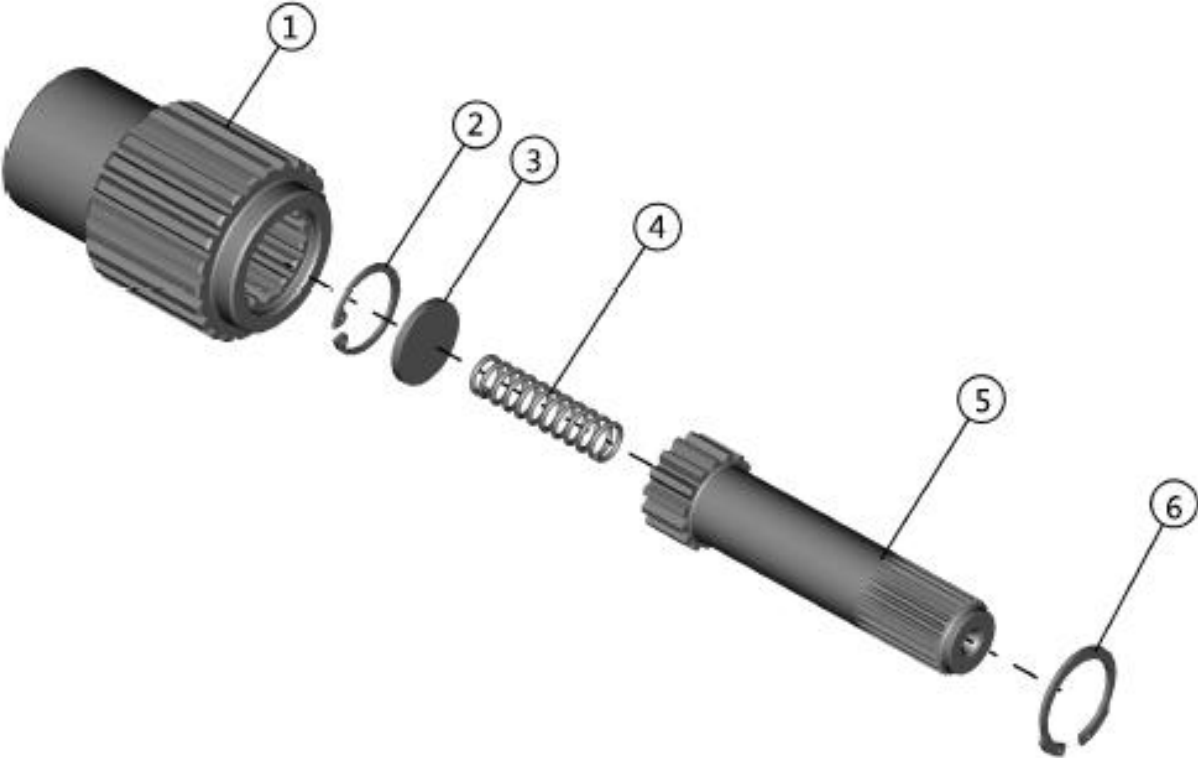
Reducer 7hpg01fzz30048b



Key	Part No.	Description	Spare parts Y/N	Qty	Remarks
1	4120704497001	O-ring 940082	Y	1	
2	4120704497002	Ring gear d2500001	Y	1	
3	4120704497003	Bolt 930904	Y	3	
4	4120704497004	Sun gear d2120002	Y	1	
5	4120704497006	Snap ring 9100297	Y	1	
6	4120704497007	Output body assembly amd2320001	Y	1	
7	4120704497047	Pin 920002	Y	3	
8	4120704497009	Planetary shaft d2220101	Y	3	
9	4120704497060	Snap ring 9100165	Y	1	



Input clutch assembly-7hp

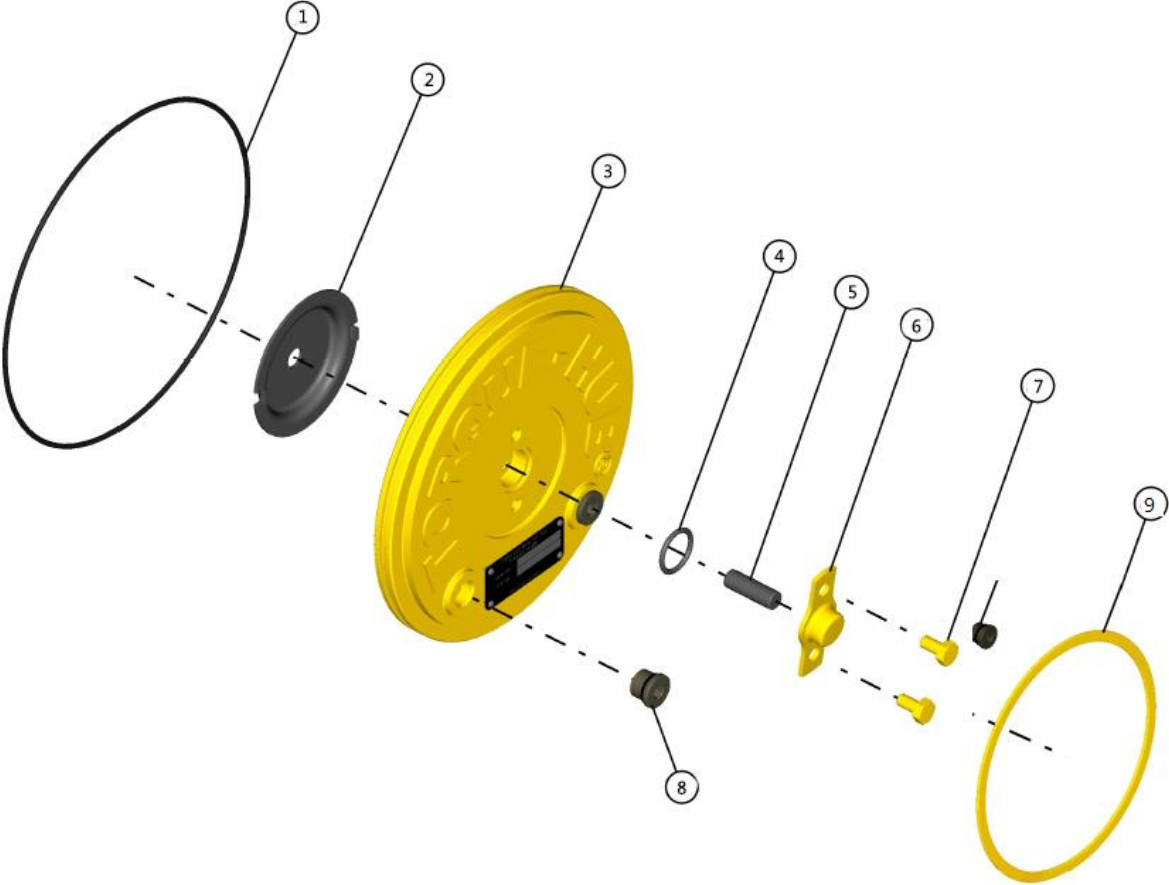


Main shaft assembly



L2200-4120704497012

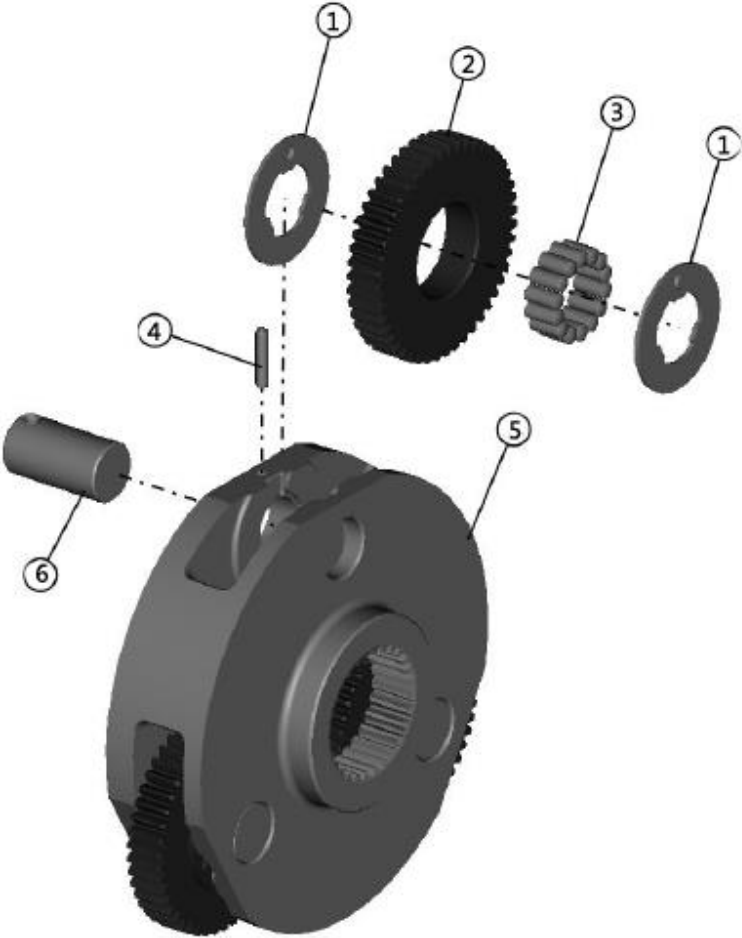
End cap assembly 7hp



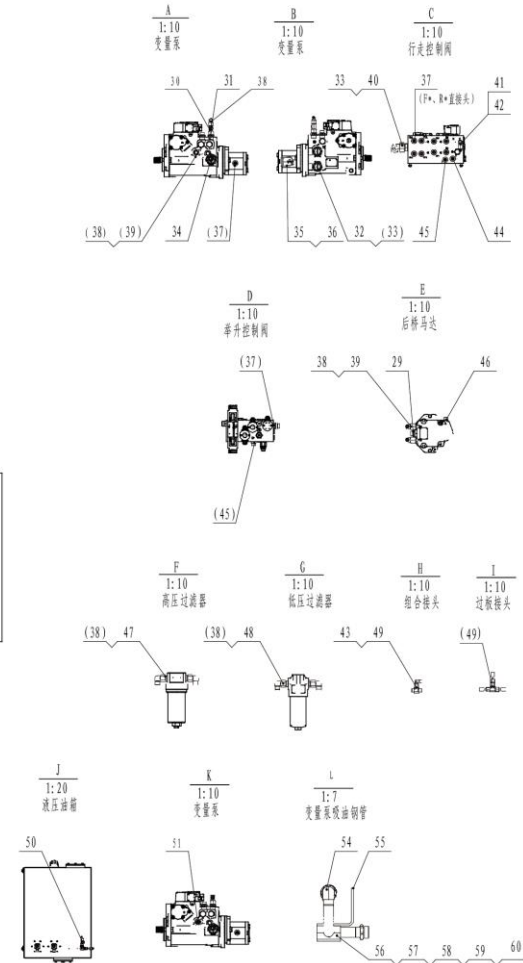
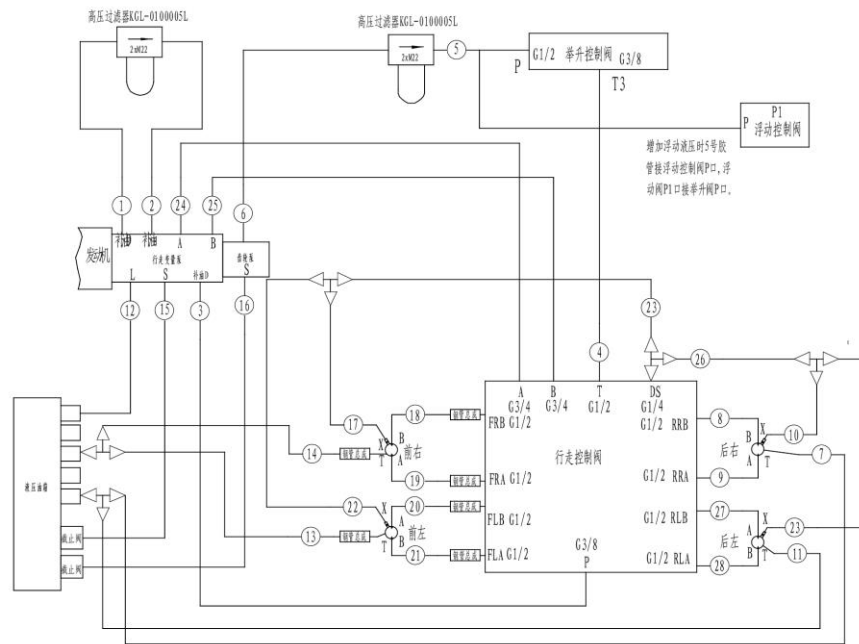
Key	Part No.	Description	Spare parts Y/N	Qty	Remarks
1	4120704497036	O-ring 940008	Y	1	
2	4120704497037	Thrust washer 960485	Y	1	
3	4120704497038	End cap amd2500401a	Y	1	
4	4120704497039	O-ring 9400134	Y	1	
5	4120704497040	Pin 920150	Y	1	
6	4120704497041	Split cap 1900414	Y	1	
7	4120704497042	Bolt 930003	Y	1	
8	4120704497043	Blockage 951204	Y	1	
9	4120704497006	Snap ring 9100297	Y	1	



Input carrier assembly 7hp

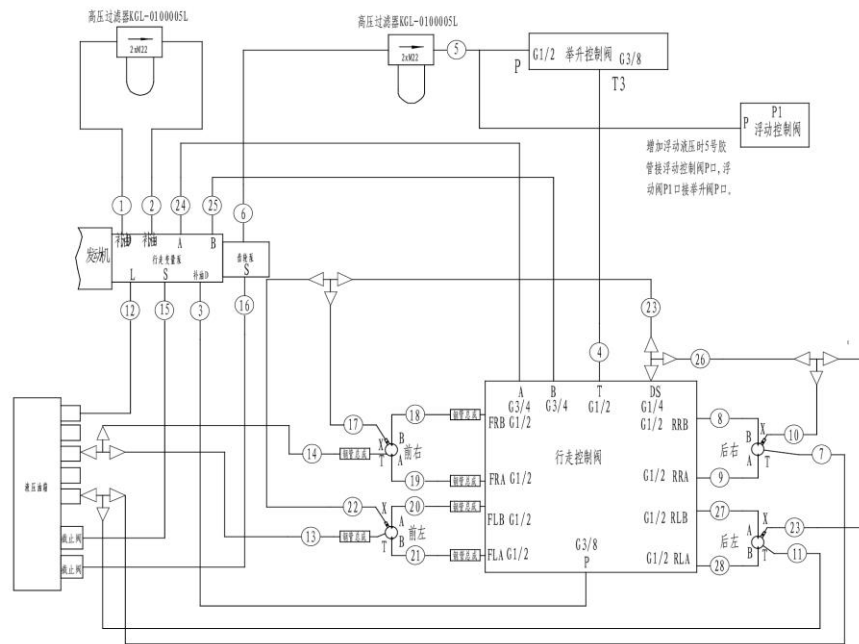


Traveling hydraulic system layout diagram assembly

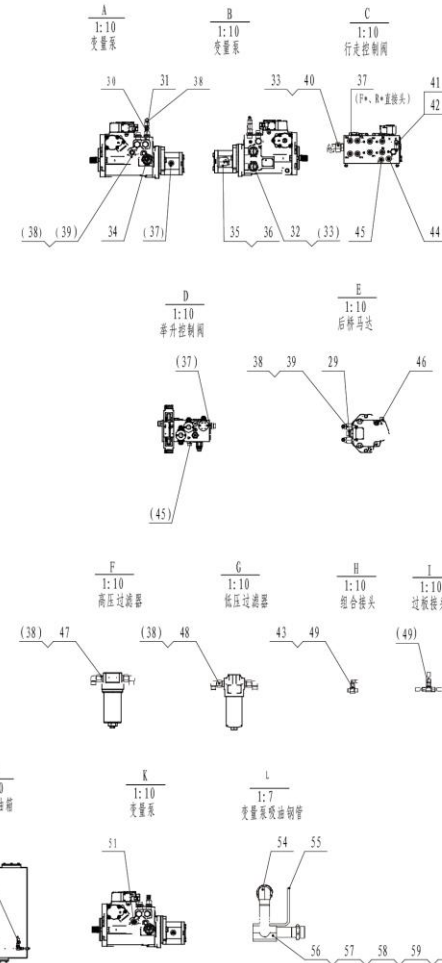


Key	Part No.	Description	Spare parts Y/N	Qty	Remarks
1	4120706190	Hose fc402cacf151508-380-fsf-240, traveling variable displacement pump-filter	Y	1	
2	4120706191	Hose fc402caca151508-500-fsf-370, traveling variable displacement pump-filter	Y	1	
3	4120706485	Pipe fc402caca151206-4200	Y	1	
4	4120705687	Hose fc402caca121206-650, floating control valve-lifting control valve	Y	1	
5	4120706199	Hose f471tccacf151508-900, floating control valve-filter	Y	1	
6	4120706200	Hose f471tccacf151508-4200-fsf-250, gear pump-filter	Y	1	
7	4120704934	Hose fc402cacf121206-2050, traveling motor-hydraulic oil tank	Y	1	
8	4120704935	Motor hose f471tccaca151508-3450 , travel motor-travel control valve	Y	1	
9	4120704936	Motor hose f471tccaca151508-3400 , travel motor-travel control valve	Y	1	
10	4120704937	Hosefc402cacf080804-1500 , travel motor	Y	1	
11	4120704938	Hose fc402cacf121206-2500, traveling motor-hydraulic oil tank	Y	1	
12	4120706205	Hose fc402caca151508-3600-fsf-400, traveling variable displacement pump-hydraulic oil tank	Y	1	
13	4120704940	Hose fc402caca121206-3040, hydraulic oil tank	Y	1	
14	4120704941	Hose fc402cacf121206-2550, hydraulic oil tank	Y	1	
15	4120704942	Hose 20411-36-16*osd150-16*3250, traveling variable displacement pump-hydraulic oil tank	Y	1	
16	4120704943	Hose 20411-36-16*osd150-16*3050, gear pump-hydraulic oil tank	Y	1	
17	4120704970	Hosefc402caca080804-2200 , travel motor	Y	1	
18	4120704944	Motor hose f471tccaca151508-3030 , travel motor	Y	1	
19	4120704945	Motor hose f471tccaca151508-3040 , travel motor	Y	1	
20	4120704946	Motor hose f471tccaca151508-2600 , travel motor	Y	1	
21	4120704947	Motor hose f471tccaca151508-2630 , travel motor	Y	1	
22	4120704871	Hosefc402caca080804-1700 , travel motor	Y	1	

Traveling hydraulic system layout diagram assembly

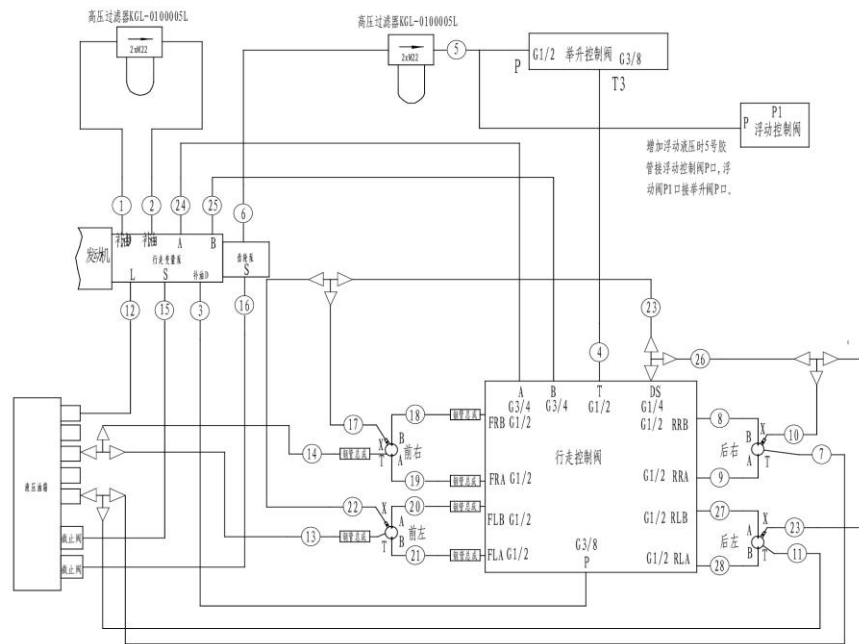


P1 浮动控制阀
增加浮动液压时5号软管接浮动控制阀P口, 浮动阀P1口接举升阀P口。

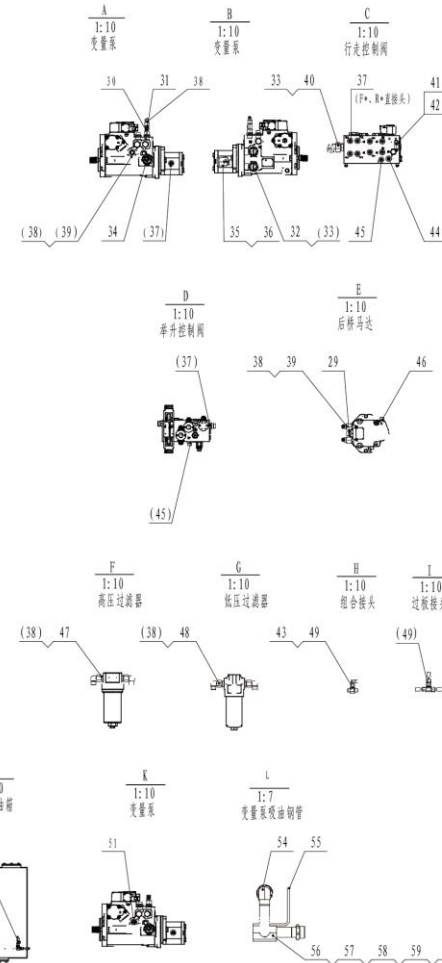


Key	Part No.	Description	Spare parts Y/N	Qty	Remarks
23	4120705924	Hosefc402cacf080804-1050 , travel control valve	Y	2	
24	4120704965	Motor hose f771c9c9202012-3750, traveling variable displacement pump-traveling control valve	Y	1	
25	4120704966	Motor hose f771c9c9202012-3740, traveling variable displacement pump-traveling control valve	Y	1	
26	4120704928	Hosefc402caca080804-1500 , travel control valve	Y	1	
27	4120704948	Motor hose f471tccaca151508-2620 , travel motor-travel control valve	Y	1	
28	4120704967	Motor hose f471tccaca151508-2640 , travel motor-travel control valve	Y	1	
29	4120001163	Fitting ge12l3/4unfomdcf	Y	2	
30	4120000622	Joint	Y	1	
31	4120001160	Fitting ge15l7/8unfomdcf	Y	2	
32	4120704956	Fitting, hydraulic ge20s15/16unomdcf	Y	2	
33	4120704957	Right-angle fitting ew20somdcf	Y	4	
34	4120704958	Fitting, hydraulic ge20s15/18unomdcf	Y	1	
35	4120000534	Transition fitting ew28lomda3c	Y	1	
36	4120704907	Fitting ge28lr3/4edomdcf	Y	1	
37	4120002235	Fitting ge15lredomdcf	Y	10	
38	4190000699	Fitting ew15lomda3c	Y	10	
39	4120704959	Fitting, hydraulic ge15l11-16unomdcf	Y	5	
40	4120704960	Fitting, hydraulic ge20s15/17unomdcf	Y	2	
41	4120001170	Fitting ge08lredomdcf	Y	1	
42	4190000208	Tee fitting el08lomda3c	Y	1	
43	4190000698	Fitting ew08lomda3c	Y	1	
44	4120001373	Fitting ge12lr1/2edomdcf	Y	1	

Traveling hydraulic system layout diagram assembly

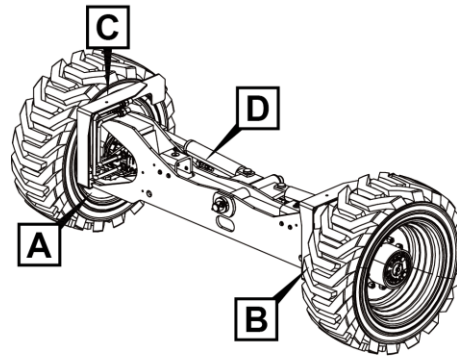
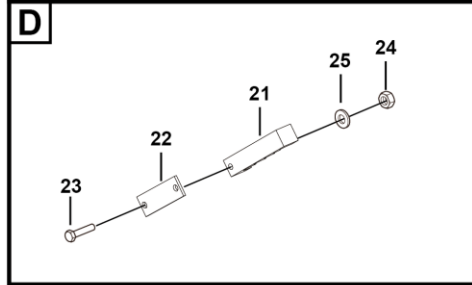
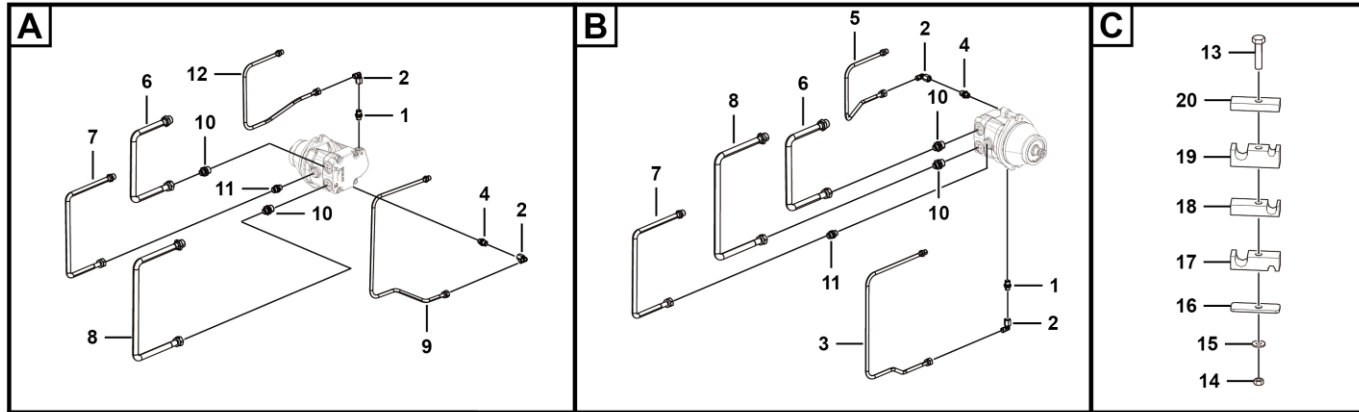


增加浮动液压时5号软管接浮动控制阀P口,浮动阀P1口接举升阀P口。



Key	Part No.	Description	Spare parts Y/N	Qty	Remarks
45	4120001224	Fitting ge12lredomdcf	Y	2	
46	4120704961	Fitting, hydraulic ge08l9/16unfomdcf	Y	2	
47	4120704962	Fitting, hydraulic ge15lm22x1.5edomdcf	Y	2	
48	4120704963	Fitting, hydraulic ge15lr3/4edomdcf	Y	2	
49	4120704929	Tee fitting t08lcfx	Y	2	
50	4120000619	Tee fitting el12lomda3c	Y	2	
51	4017000015	Hose clamp jb8870-d25	Y	8	
52	4120002692	Braided sheath	Y	2	
53	4120706198	Fastener buckle strap lg-w25-l400	Y	5	
54	25070008181	Pump suction bell assembly	Y	1	
55	25070008221	Plate of pipe clamp	Y	1	
56	25070008231	Pipe clamp	Y	2	
57	25070008241	Plate of pipe clamp	Y	1	
58	4011011077	Bolt gb16674-m8*70flznyc-8.8-480	Y	2	
59	4015010280	Washer gb97.1-8flznyc-480	Y	2	
60	4013010297	Nut gb889.1-m8flznyc-8-480	Y	2	

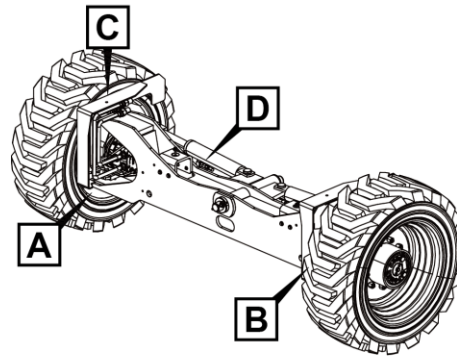
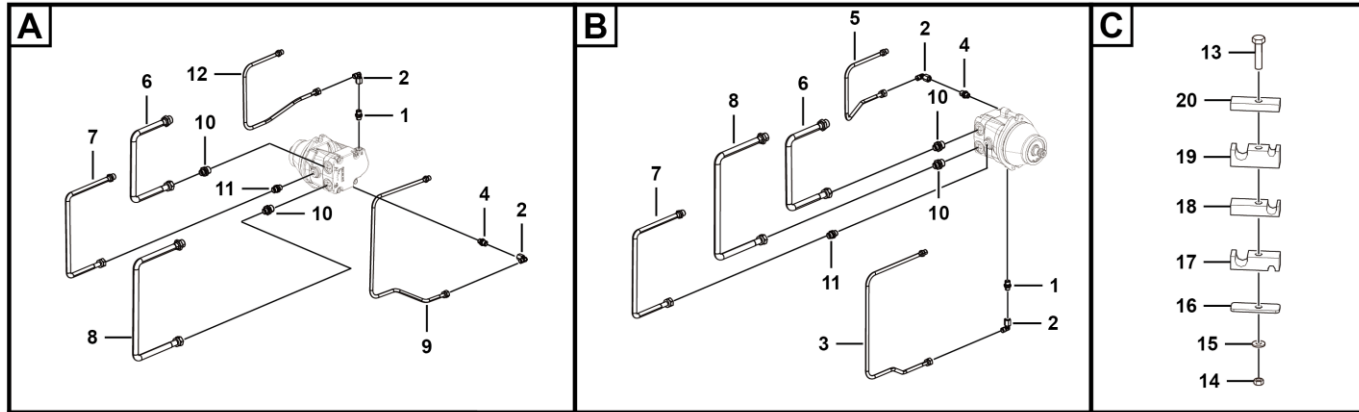
Front motor pipe assembly



左侧		
序号	名称	接口
3	左马达X钢管总成	X
5	左马达制动钢管总成	
6	马达B钢管总成	B
7	马达T钢管总成	T
8	马达A钢管总成	A
右侧		
序号	名称	接口
6	马达B钢管总成	A
7	马达T钢管总成	T
8	马达A钢管总成	B
9	右马达制动钢管总成	
12	右马达X钢管总成	X

Key	Part No.	Description	Spare parts Y/N	Qty	Remarks
1	4120707230	Elbow nipple	N	2	
2	4190000698	Fitting ew08lomda3c	Y	2	
3	25070001971	Left motor x steel pipe assembly, traveling motor-hose	Y	1	
4	4120001177	Fitting ge08l7/16unfomdcf	Y	2	
5	25070001991	Left motor brake steel pipe assembly, traveling motor-hose	Y	1	
6	25070001911	Motor b tube assembly, travel motor-hose	Y	2	
7	25070001951	Motor c tube assembly, travel motor-hose	Y	2	
8	25070001931	Motor a tube assembly, travel motor-hose	Y	2	
9	25070002031	Right motor brake steel pipe assembly, traveling motor-hose	Y	1	
10	4120704959	Fitting, hydraulic ge15l11-16unomdcf	Y	4	
11	4120001163	Fitting ge12l3/4unfomdcf	Y	2	
12	25070002011	Right motor x steel pipe assembly, traveling motor-hose	Y	1	
13	4011011204	Bolt	Y	2	
14	4013010372	Nut gb889.1-m10flznyc-8-480	Y	2	
15	4015010339	Washer gb97.1-10flznyc-300hv-480	Y	2	
16	25070002051	Rubber backing plate, fixing motor steel pipe	Y	2	
17	25070002061	Upper pipe clamp, fixing motor steel pipe	Y	2	
18	25070002071	Pipe clamp, fixing motor steel pipe	Y	2	
19	25070002081	Lower pipe clamp, fixing motor steel pipe	Y	2	
20	25070002091	Cover plate, fixing motor steel pipe	Y	2	
21	25070002601	Cover plate, fixing motor steel pipe	Y	2	
22	25070002551	Cover plate, fixing motor steel pipe	Y	2	

Front motor pipe assembly



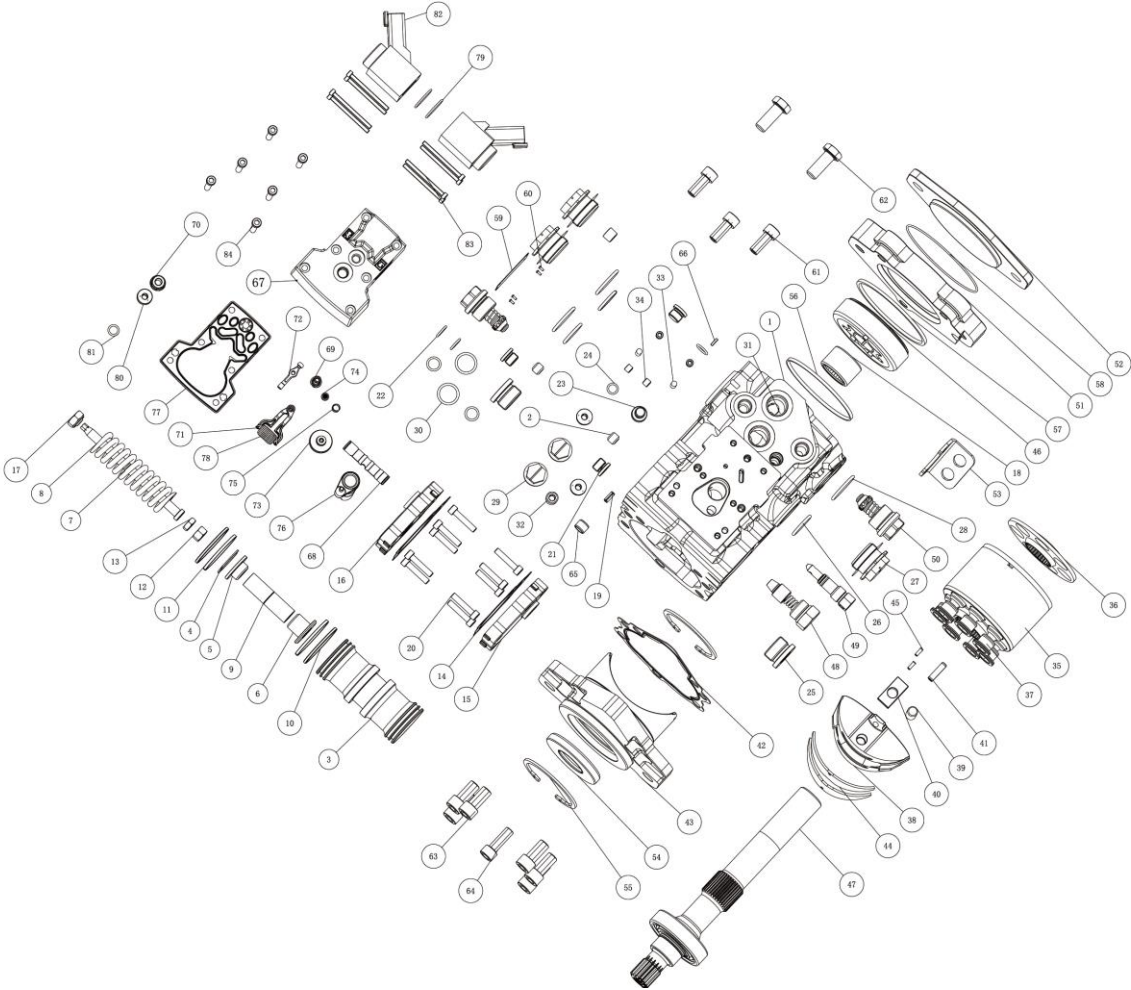
左侧		
序号	名称	接口
3	左马达X钢管总成	X
5	左马达制动钢管总成	
6	马达B钢管总成	B
7	马达T钢管总成	T
8	马达A钢管总成	A

右侧		
序号	名称	接口
6	马达B钢管总成	A
7	马达T钢管总成	T
8	马达A钢管总成	B
9	右马达制动钢管总成	
12	右马达X钢管总成	X

Key	Part No.	Description	Spare parts Y/N	Qty	Remarks
23	4011010989	Bolt gb5782-m8*60flznyc-8.8-480	Y	4	
24	4013010297	Nut gb889.1-m8flznyc-8-480	Y	4	
25	4015010280	Washer gb97.1-8flznyc-480	Y	4	

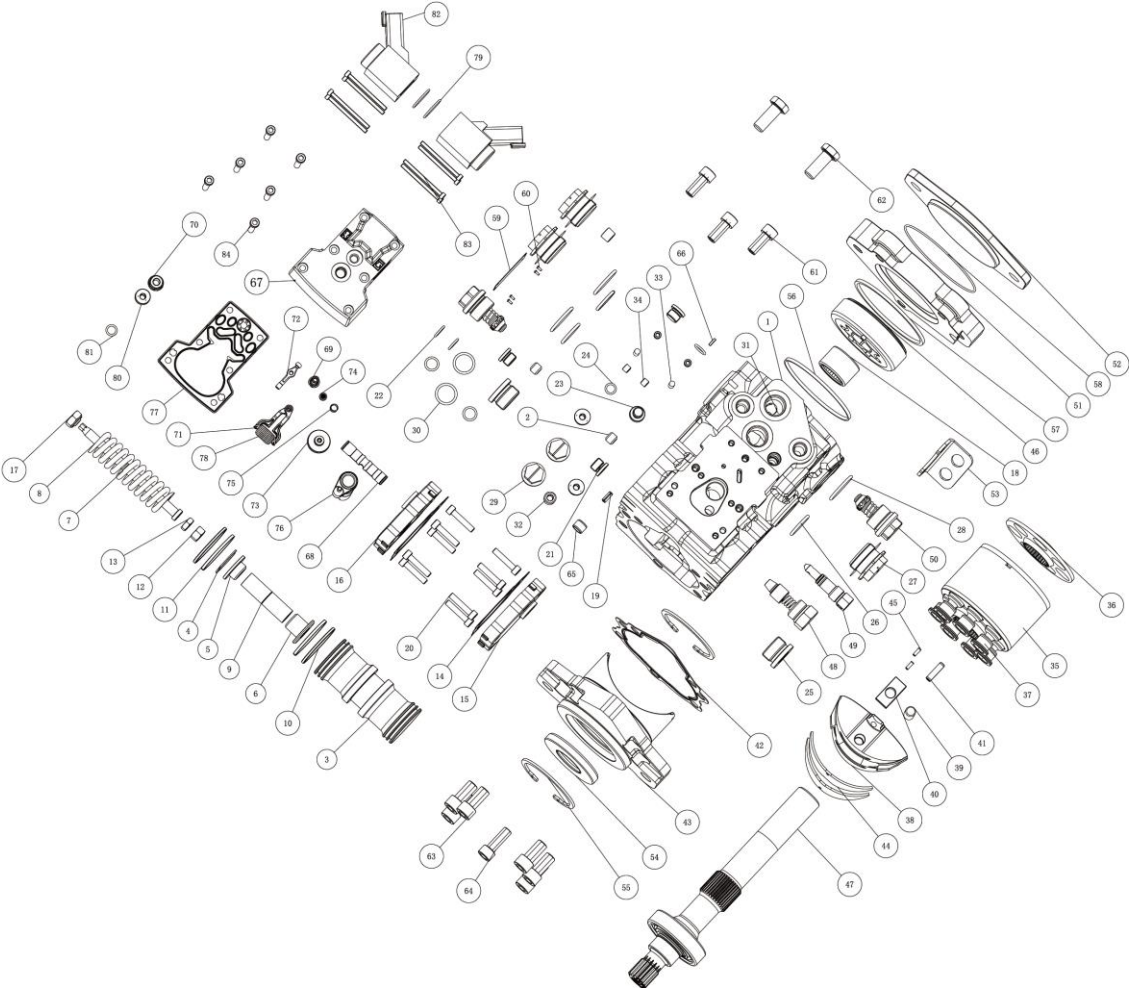


Driver pump



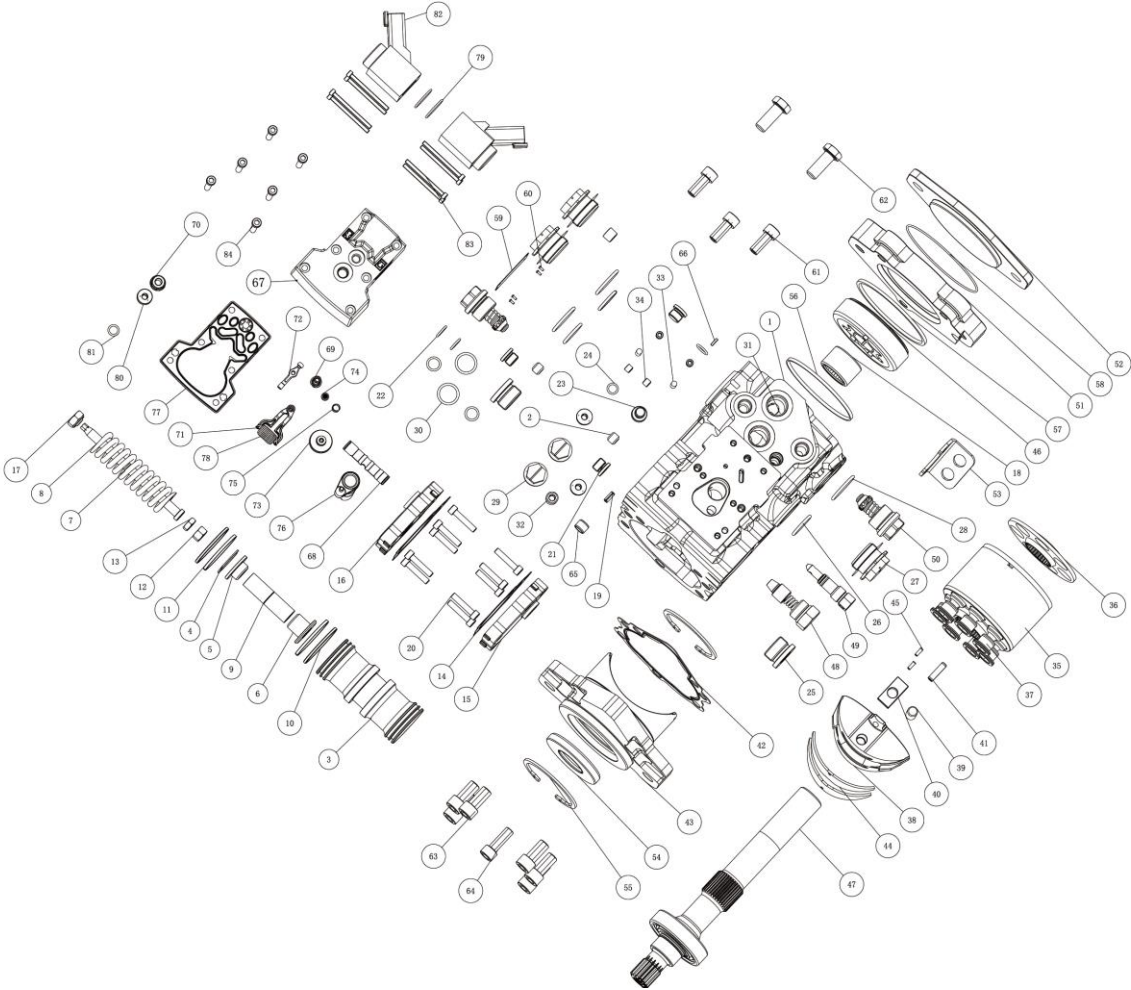
Key	Part No.	Description	Spare parts Y/N	Qty	Remarks
1	4120001425067	Midbody	Y	1	
2	4120001425068	Plug	Y	2	
3	4120001425069	Piston	Y	1	
4	4120001425070	Gasket	Y	1	
5	4120001425071	Spring seat	Y	1	
6	4120001425072	Spring seat	Y	1	
7	4120001425073	Screw	Y	1	
8	4120001425074	Spring	Y	1	
9	4120001425075	Sleeve	Y	1	
10	4120001425076	Ring	Y	2	
11	4120001425077	Ring-backup	Y	2	
12	4120001425078	Nut	Y	1	
13	4120001425079	Nut	Y	1	
14	4120001425080	Gasket	Y	2	
15	4120001425081	Cover	Y	1	
16	4120001425082	Cover	Y	1	
17	4120001425083	Nut	Y	1	
18	4120001425084	Bearing	Y	1	
19	4120001425085	Pin	Y	1	
20	4120001425086	Screw	Y	10	
21	4120001425087	Plug	Y	5	
22	4120001425088	O-ring	Y	5	

Driver pump



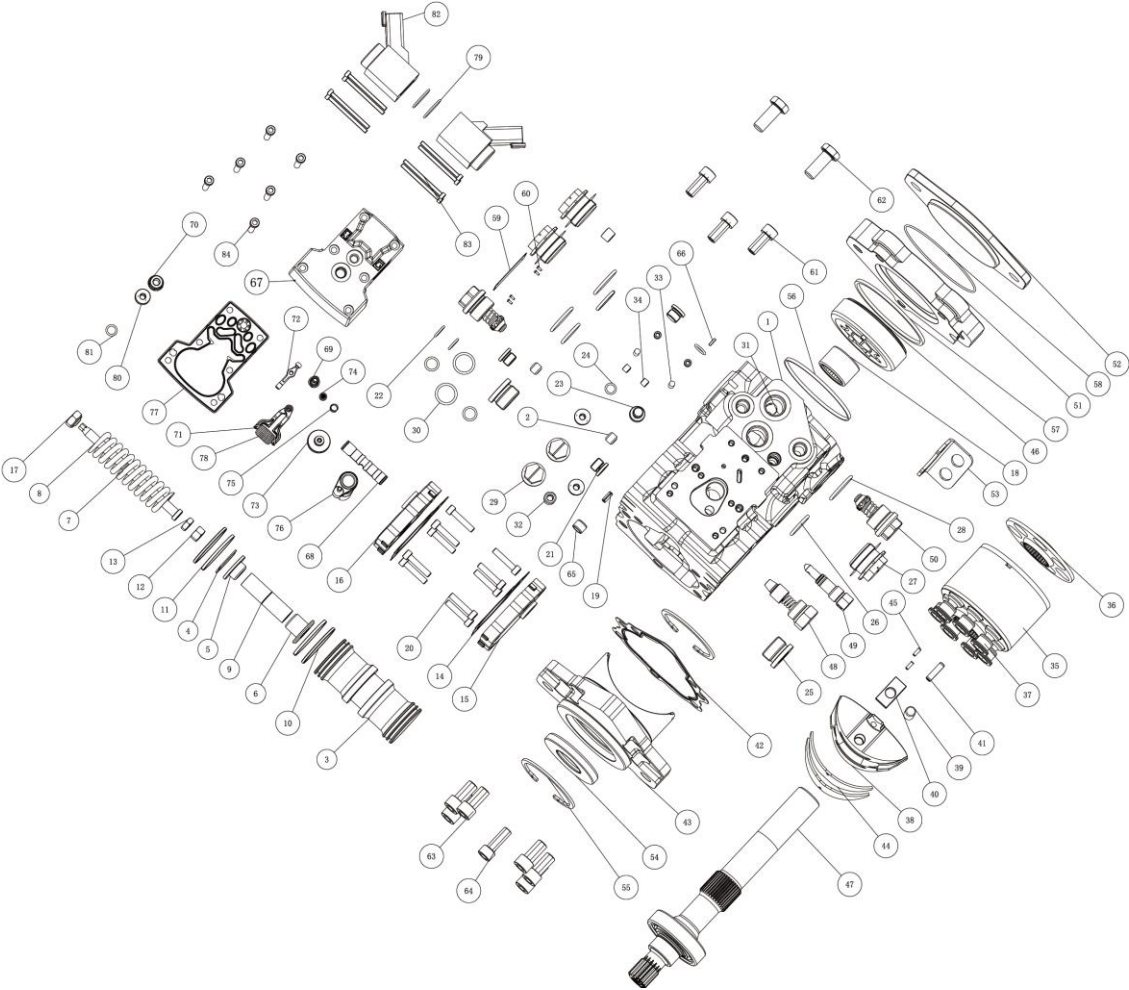
Key	Part No.	Description	Spare parts Y/N	Qty	Remarks
23	4120001425089	Plug	Y	1	
24	4120001425090	O-ring 03.02.01.00122	Y	1	
25	4120001425091	Plug	Y	2	
26	4120001425092	O-ring	Y	2	
27	4120001425093	Plug	Y	3	
28	4120001425094	O-ring	Y	3	
29	4120001425095	Plug	Y	2	
30	4120001425096	O-ring	Y	2	
31	4120001425097	Plug	Y	1	
32	4120001425098	Plug	Y	2	
33	4120001425099	Pin	Y	2	
34	4120001425100	Plug	Y	6	
35	4120001425101	Assembly	Y	1	
36	4120001425102	Assembly	Y	1	
37	4120001425103	Plunger shoe assembly	Y	7	
38	4120001425104	Plate	Y	1	
39	4120001425105	Pin	Y	1	
40	4120001425106	Block	Y	1	
41	4120001425107	Pin	Y	1	
42	4120001425108	Gasket	Y	1	
43	4120001425109	Cover	Y	1	
44	4120001425110	Sleeve	Y	2	

Driver pump



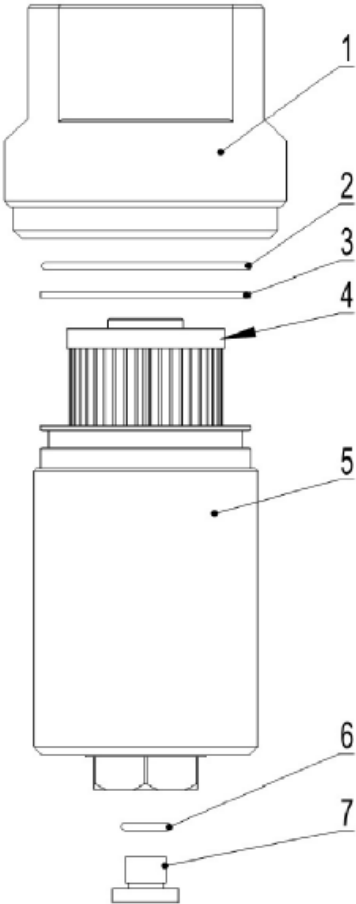
Key	Part No.	Description	Spare parts Y/N	Qty	Remarks
45	4120001425111	Pin	Y	2	
46	4120001425112	Charge pump	N	1	
47	4120001425113	Main shaft assembly	Y	1	
48	4120001425114	Valve	Y	1	
49	4120001425115	Valve	Y	1	
50	4120001425116	Valve	Y	2	
51	4120001425117	Plate	Y	1	
52	4120001425118	Cover	Y	1	
53	4120001425119	Plate	Y	1	
54	4120001425120	Sealing ring	Y	1	
55	4120001425121	Gasket	Y	2	
56	4120001425122	Ring	Y	1	
57	4120001425123	Ring	Y	1	
58	4120001425124	O-ring	Y	1	
59	4120001425125	Sign	Y	1	
60	4120001425126	Screw	Y	4	
61	4120001425127	Screw	Y	3	
62	4120001425128	Screw	Y	2	
63	4120001425129	Screw	Y	6	
64	4120001425130	Screw	Y	1	
65	4120001425131	Pin	Y	1	
66	4120001425132	Half round key	Y	1	

Driver pump



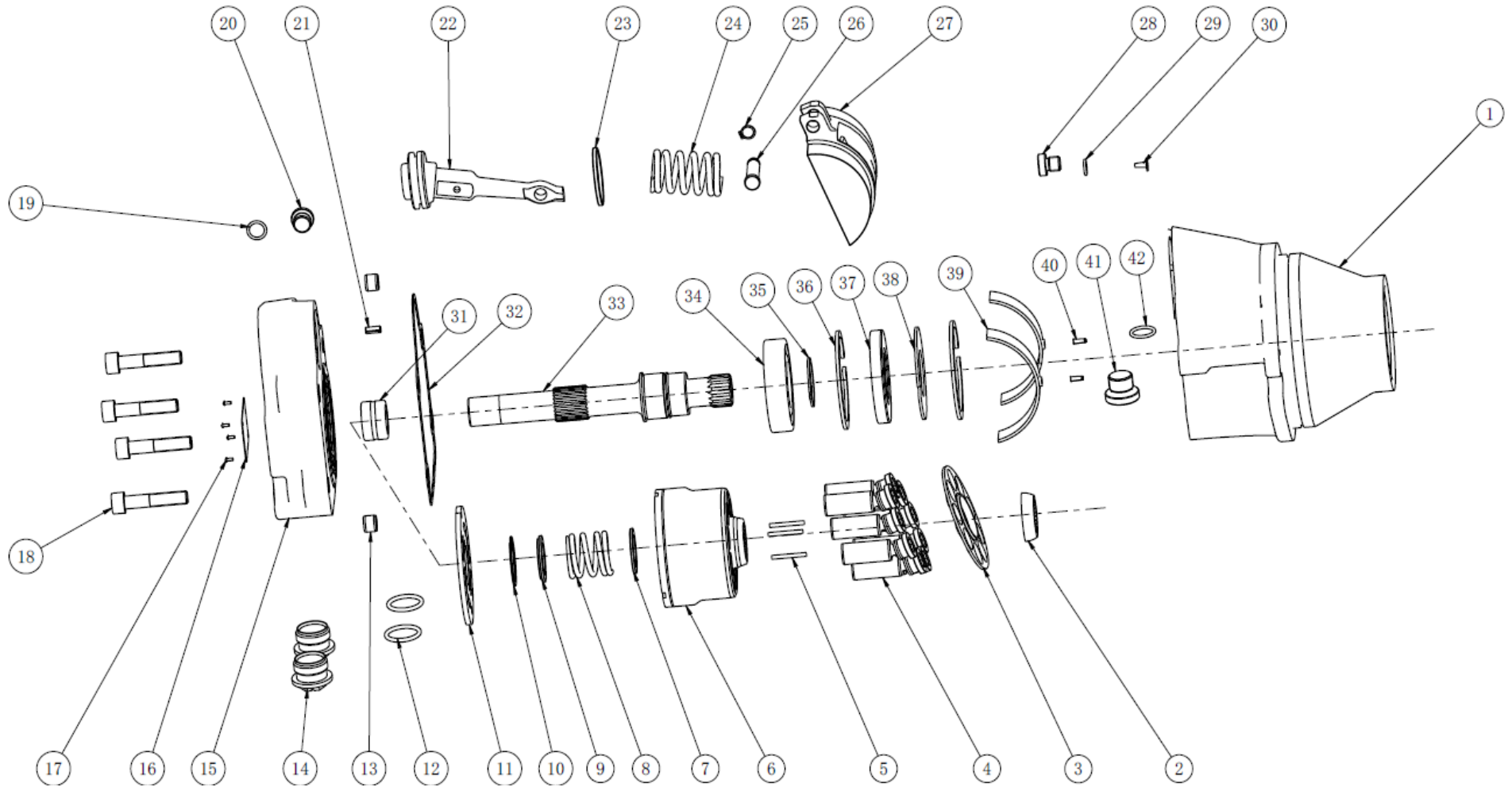
Key	Part No.	Description	Spare parts Y/N	Qty	Remarks
67	4120001425133	Valve body	Y	1	
68	4120001425134	Valve	Y	1	
69	4120001425135	Adjusting lever	Y	1	
70	4120001425136	Nut	Y	1	
71	4120001425137	Tie rod	Y	2	
72	4120001425138	Link	Y	1	
73	4120001425139	Adjusting rod seat	Y	1	
74	4120001425140	Plug	Y	1	
75	4120001425141	Gasket	Y	1	
76	4120001425142	Feedback lever	Y	1	
77	4120001425143	Gasket	Y	1	
78	4120001425144	Tension spring	Y	1	
79	4120001425145	O-ring	Y	2	
80	4120001425146	Plug	Y	1	
81	4120001425147	O-ring	Y	1	
82	4120001425148	Electromagnet	Y	2	
83	4120001425149	Screw	Y	8	
84	4120001425150	Screw	Y	6	

High-pressure filter kglb-0080005I



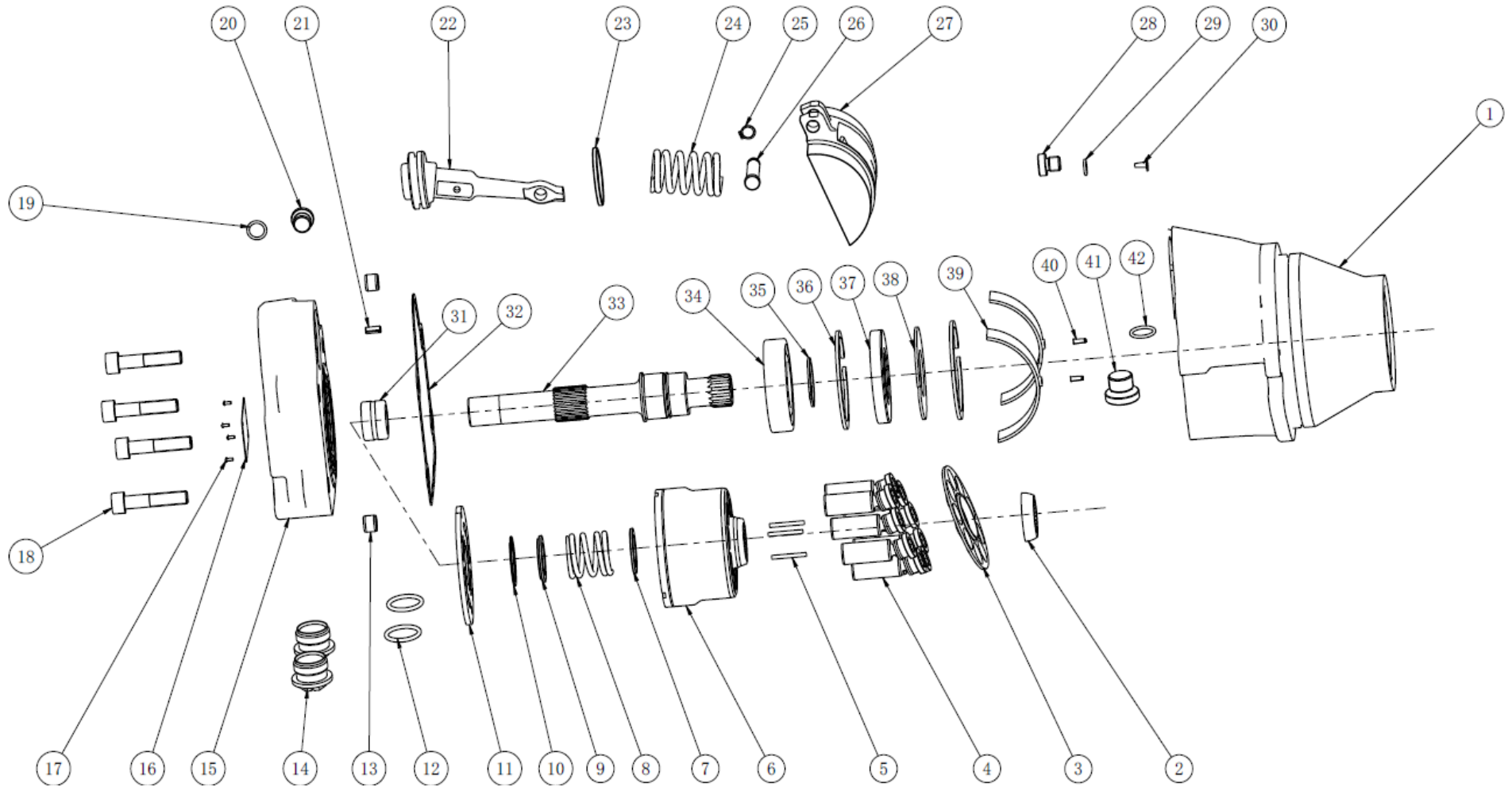
Key	Part No.	Description	Spare parts Y/N	Qty	Remarks
1	4120001428002	Filter head kc20g01-001	Y	1	
2	4120001428003	O-ring gb3452.1-67*3.55	Y	1	
3	4120001428004	Teflon ring kc20g01-003-72.8*67.3*2	Y	1	
4	4120001428005	Filter element kc20g01-b01	Y	1	
5	4120001428006	Filter cartridge kc20g01-002	Y	1	
6	4120001428007	Din3869-15.7*20.9*1.5	Y	1	
7	4120001428008	Oil plug m18*1.5-kc20g01-004	Y	1	

Drive motor



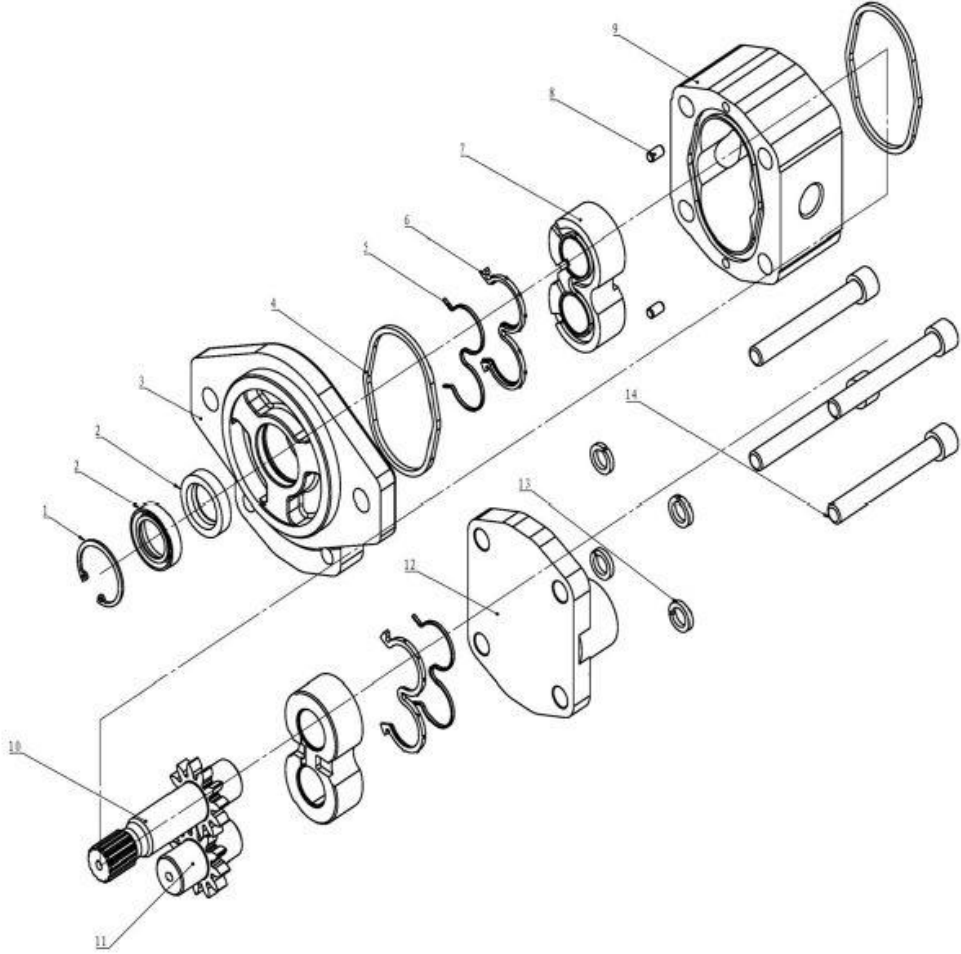
Key	Part No.	Description	Spare parts Y/N	Qty	Remarks
1	4120001570001	Housing 02.01.02.00011	Y	1	
2	4120001570002	Spherical hinge 02.01.04.00012	Y	1	
3	4120001570003	Set plate 02.01.04.00013	Y	1	
4	4120001570004	Plunger shoe assembly 02.02.04.00008	Y	9	
5	4120001570005	Cylindrical pin 03.01.05.00019	Y	3	
6	4120001570006	Cylinder block 02.01.03.00019	Y	1	
7	4120001570007	Gasket02.01.16.00017	Y	1	
8	4120001570008	Center spring 03.04.01.00200	Y	1	
9	4120001570009	Gasket02.01.16.00018	Y	1	
10	4120001570010	Snap ring for hole 03.02.01.00388	Y	1	
11	4120001570011	Valve plate 02.01.03.00020	Y	1	
12	4120001570012	O-ring 03.02.01.00006	Y	2	
13	4120001570013	Dowel pin03.01.05.00022	Y	2	
14	4120001570014	Plastic plug 03.02.03.00087	Y	2	
15	4120001570015	Rear cover 02.01.06.00101	Y	1	
16	4120001570016	Plunger motor nameplate 03.30.04.00018	Y	1	
17	4120001570017	304 stainless steel rivet 03.01.02.00335	Y	4	
18	4120001570018	Hexagon socket screw 03.01.02.00478	Y	4	
19	4120001570019	O-ring 03.02.01.00389	Y	1	
20	4120001570020	Screw plug 03.02.03.00082	Y	1	
21	4120001570021	Elastic cylindrical pin 03.01.05.00020	Y	1	
22	4120001570022	Servo piston 02.01.07.00061	Y	1	

Drive motor



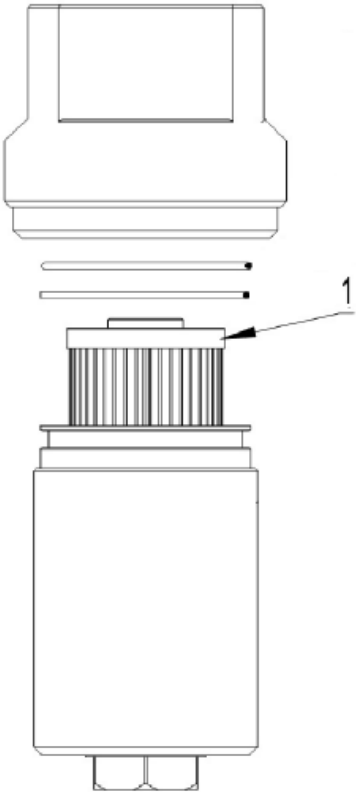
Key	Part No.	Description	Spare parts Y/N	Qty	Remarks
23	4120001570023	Glyd ring 03.02.01.00415	Y	1	
24	4120001570024	Servo piston spring 02.01.07.00066	Y	1	
25	4120001570025	C-type circlip for shaft 03.02.01.00390	Y	1	
26	4120001570026	Dowel pin03.01.05.00021	Y	1	
27	4120001570027	Swash plate 02.01.08.00015	Y	1	
28	4120001570028	Bleeding plug 02.01.17.00078	Y	1	
29	4120001570029	O-ring 03.02.01.00722	Y	1	
30	4120001570030	Plastic plug 02.01.17.00165	Y	1	
31	4120001570031	Bearing03.03.01.00015	Y	1	
32	4120001570032	Gasket 03.02.06.00042	Y	1	
33	4120001570033	Main shaft 02.01.01.00036	Y	1	
34	4120001570034	Deep groove ball bearing 03.03.01.00014	Y	1	
35	4120001570035	C-type circlip for shaft 03.02.01.00387	Y	1	
36	4120001570036	C-type snap ring for hole 03.02.01.00391	Y	2	
37	4120001570037	Oil seal 03.02.02.00005	Y	1	
38	4120001570038	Oil seal gasket 02.01.06.00102	Y	1	
39	4120001570039	Bearing bush 02.01.18.00001	Y	2	
40	4120001570040	Elastic cylindrical pin 03.01.05.00018	Y	2	
41	4120001570041	Oil return plug 02.01.17.00077	Y	1	
42	4120001570042	O-ring 03.02.01.00055	Y	1	

Gear pump



Key	Part No.	Description	Spare parts Y/N	Qty	Remarks
1	4120001574001	Snap ring for hole p03700016	Y	1	
2	4120001574002	Skeleton oil seal p01200039	Y	2	
3	4120001574003	Front cover a012010358	Y	1	
4	4120001574004	Rectangular seal p01010012	Y	2	
5	4120001574005	E snap ring p01100013	Y	2	
6	4120001574006	E-ring p01020033	Y	2	
7	4120001574007	Shaft sleeve assembly a012460084	N	2	
8	4120001431008	Dowel pin p03420002	Y	2	
9	4120001574008	Pump body a012119375	N	1	
10	4120001574009	Driving gear a012205285	N	1	
11	4120001574010	Driven gear a012300450	N	1	
12	4120001574011	Rear cover a012020262	Y	1	
13	4120001574012	Saddle rebound washer p03610018	Y	4	
14	4120001574013	Hexagon socket head cap screw p03010310	Y	4	

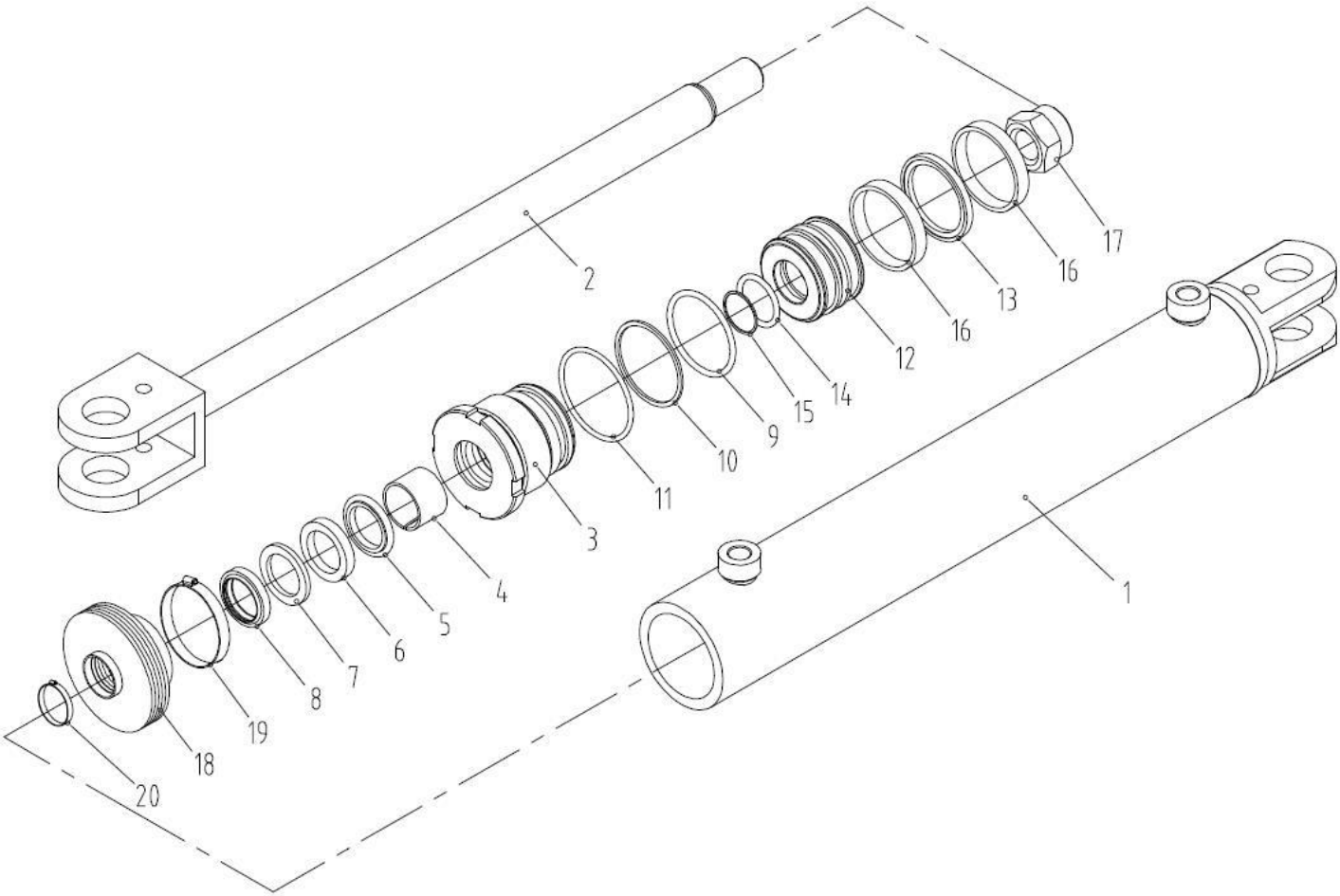
Pipeline filter kgI-01000051



Key	Part No.	Description	Spare parts Y/N	Qty	Remarks
1	4120001571002	Flow distributing and collecting valve fd56-45-0-p-66, flow distribution of traveling motor	Y	1	
2	4120001571003	Flow divider/combiner fd52-45-0-p-66, for distributing rear motor flow as required	Y	2	
3	4120001571004	Damper stty002-2.3	Y	1	
4	4120001571005	M6 damper, for controlling speed and stabilizing flow	Y	2	
5	4120001571006	Check valve vuh1g1200, controlling the oil flow direction	Y	6	
6	4120001571007	Relief valve hs50-43-0-p, hydraulic control of oil return, heat dissipation and foreign matter flushing	Y	1	
7	4120001571008	Solenoid valve rvc0.s08.0y.000, control braking and variable displacement loop pressure	Y	1	
8	4120001490007	Check valve stcv08-0-000a, for controlling inlet flow direction of 2-speed motor	N	2	
9	4120001571009	Solenoid valve sv08-35-0-n-0, for controlling floating operation	Y	2	
10	4120001159010	M6 damper stty002-0.6	Y	1	
11	4129900116002	Plug 4bn-02wd	Y	20	
12	4120001371	Plug 4bn-08wd	Y	2	
13	4120001571010	Coil 4303612	Y	2	
14	4120704891001	Valve block st5196-a000m	Y	1	

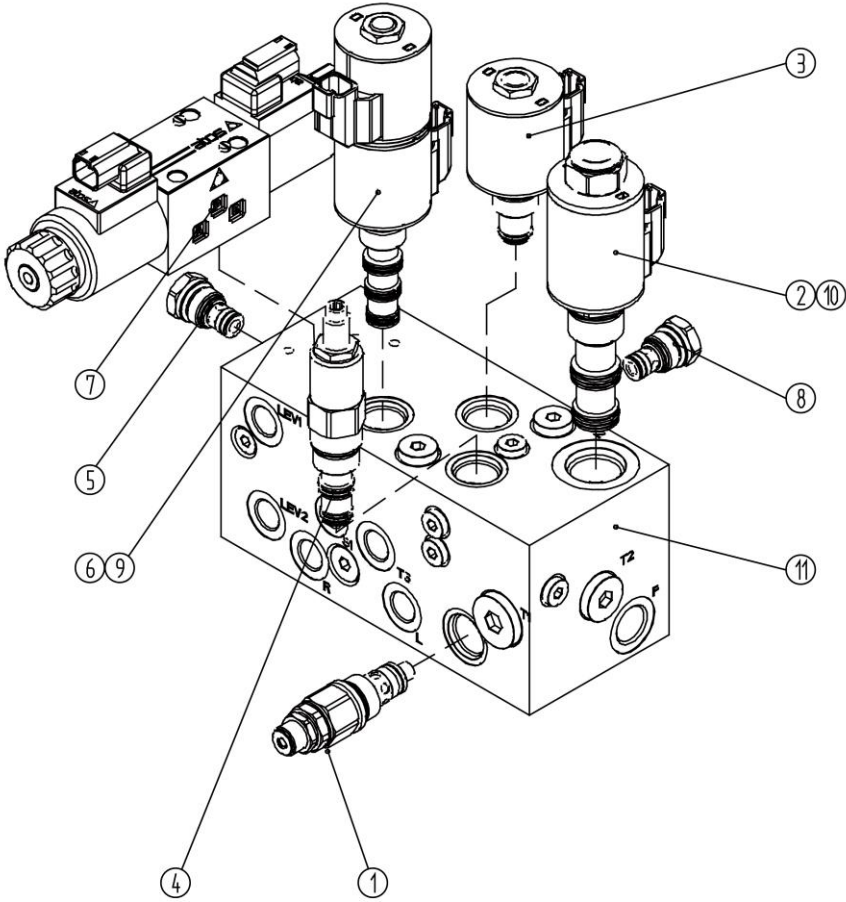


Steer cylinder 50*25*301*540



Key	Part No.	Description	Spare parts Y/N	Qty	Remarks
1	4120706355003	Cylinder tube assembly 24a330701	N	1	
2	4120002047009	Piston rod assembly 24a310390	Y	1	
3	4120706355004	Cylinder cover24a370520	N	1	
4	4120002047011	Bushing 24s225201	Y	1	
5	4120002047014	Step seal 24f902501	Y	1	
6	4120706355001	Seal-piston rod 24f202503	Y	1	
7	4120002047016	Snap ring-u ring 24e00251c	Y	1	
8	4120706355002	Seal-dustproof 24d50251j	Y	1	
9	4120002047018	O-ring 24k10450a	Y	1	
10	4120002047019	Snap ring -o-ring 24m10500c	Y	1	
11	4120002047020	O-ring 24k305011	Y	1	
12	4120002047012	Piston24a380200	Y	1	
13	4120002047022	Seal-piston 24p205002	Y	1	
14	4120002047021	O-ring 24k10250a	Y	1	
15	4120001452002	Snap ring-o-ring 24m10300c	Y	1	
16	4120002047023	Support ring 24g205035	Y	2	
17	4120002047013	Nut-nylon 401800093	Y	1	
18	4120706354004	Sheath 24w720220	N	1	
19	4120706354003	Hose clamp 401400007	N	1	
20	4120706354002	Hose clamp 401400010	N	1	

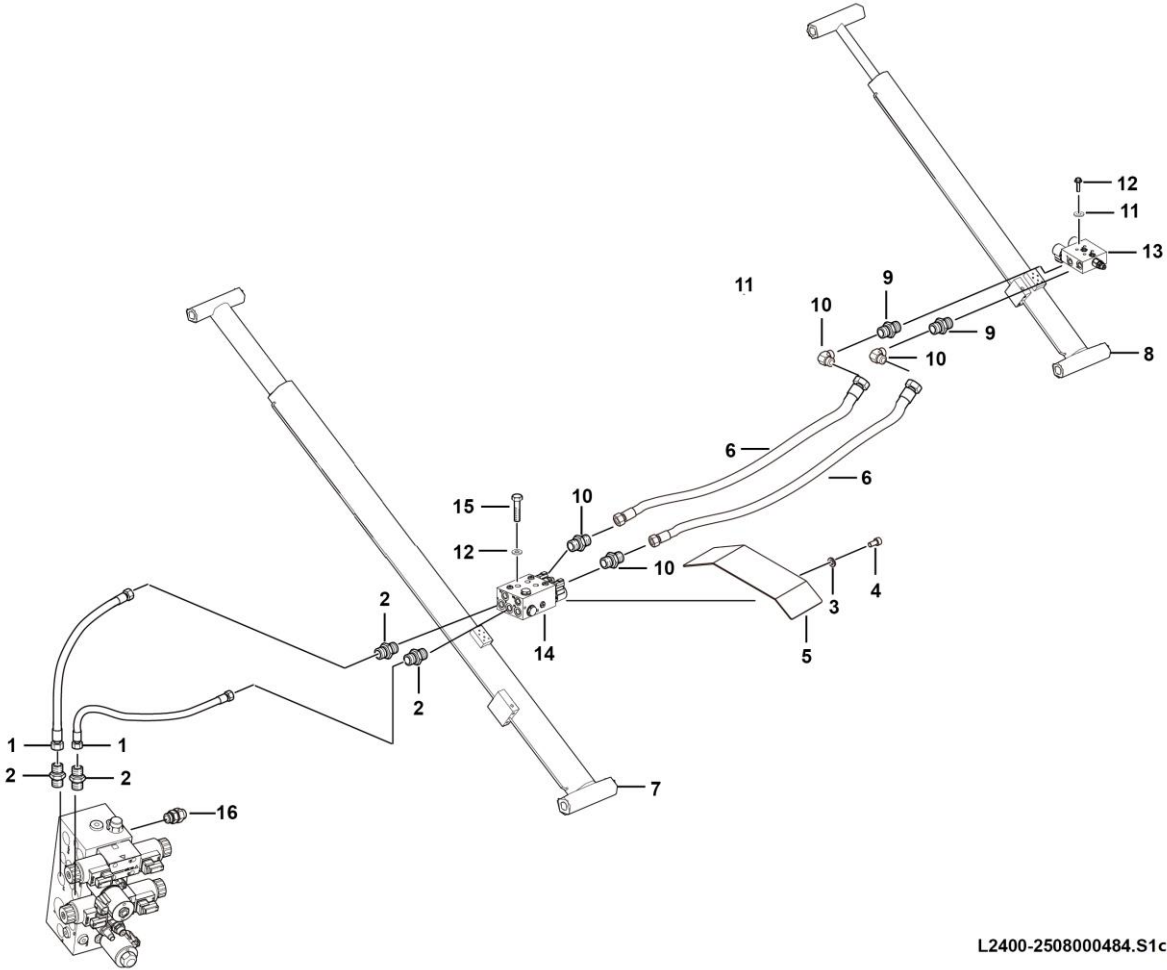
Lift control valve st5195-ab00



Key	Part No.	Description	Spare parts Y/N	Qty	Remarks
1	4120001573002	Relief valve rvs0.s10.0g.125, limiting maximum pressure	Y	1	
2	4120001573003	Solenoid valve pv72-30a-0-n-0, for controlling each operation speed	Y	1	
3	4120704890001	Solenoid valve installationsv10-20-0-n-0	Y	1	
4	4120001573005	Pressure reducing valvepr10-36a-0-n-30, for steering and outrigger pressure control	Y	1	
5	4120001573006	Flow valve fr08-20f-0-n/m0.4, for giving priority to ensuring steering flow	Y	1	
6	4120001573007	Solenoid valve installationsv10-20-0-n-0 , for controlling steering operation	Y	1	
7	4120001573008	6-way o-type plate valve sdhe-0711-xk12dc, controlling outrigger action	Y	1	
8	4120703744003	Check valve stcv08-0-002a	Y	1	
9	4120001573010	Coil 4303712	Y	3	
10	4120001573011	Coil 4303212	Y	1	
11	4120704890002	Valve block st5195-a000m	Y	1	



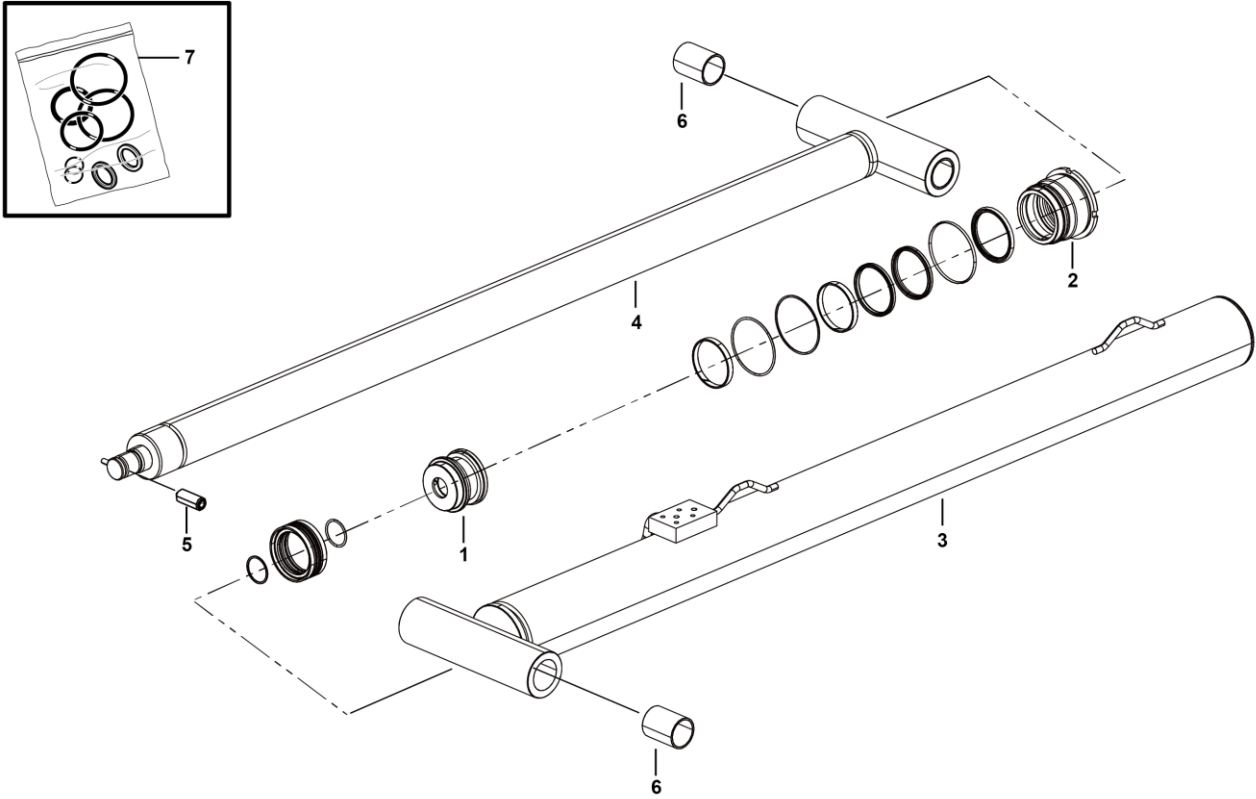
Hydraulic lifting assembly



L2400-2508000484.S1c

Key	Part No.	Description	Spare parts Y/N	Qty	Remarks
1	4120706220	Hose fc402caca121206-5900-fsf-600, main valve - lower cylinder valve block	Y	2	
2	4120001224	Fitting ge12lredomdcf	Y	4	
3	4015000207	Washer gb97.1-6epzn-300hv	Y	2	
4	4011000423	Bolt gb5783-m6*12epzn-8.8	Y	2	
5	25080004831	Forming (stamping, etc.), valve block protection plate	Y	1	
6	4120704889	Hose fc402caca101005-9230, upper cylinder valve block-lower cylinder valve block	Y	2	
7	4120703566	Lower lift cylinder	Y	1	
8	4120703565	Upper lift cylinder	Y	1	
9	4120001165	Fitting ge10lr3/8edomdcf	Y	4	
10	4120001663	Right-angle fitting 2c9-16	Y	2	
11	25080002881	M8 hard gasket, 16*8.5*3	Y	8	
12	4011010936	Bolt gb5782-m8*55flznyc-12.9-480	Y	4	
13	4120704893	Upper lifting cylinder control valve st5198-ab00	Y	1	
14	4120704892	Lower lift cylinder control valve st5197-ab00	Y	1	
15	4014010233	Bolt gb5782-m8*75flznyc-12.9-480	Y	4	
16	4120001977	Pressure tap smk20-g1/4-pc	Y	2	

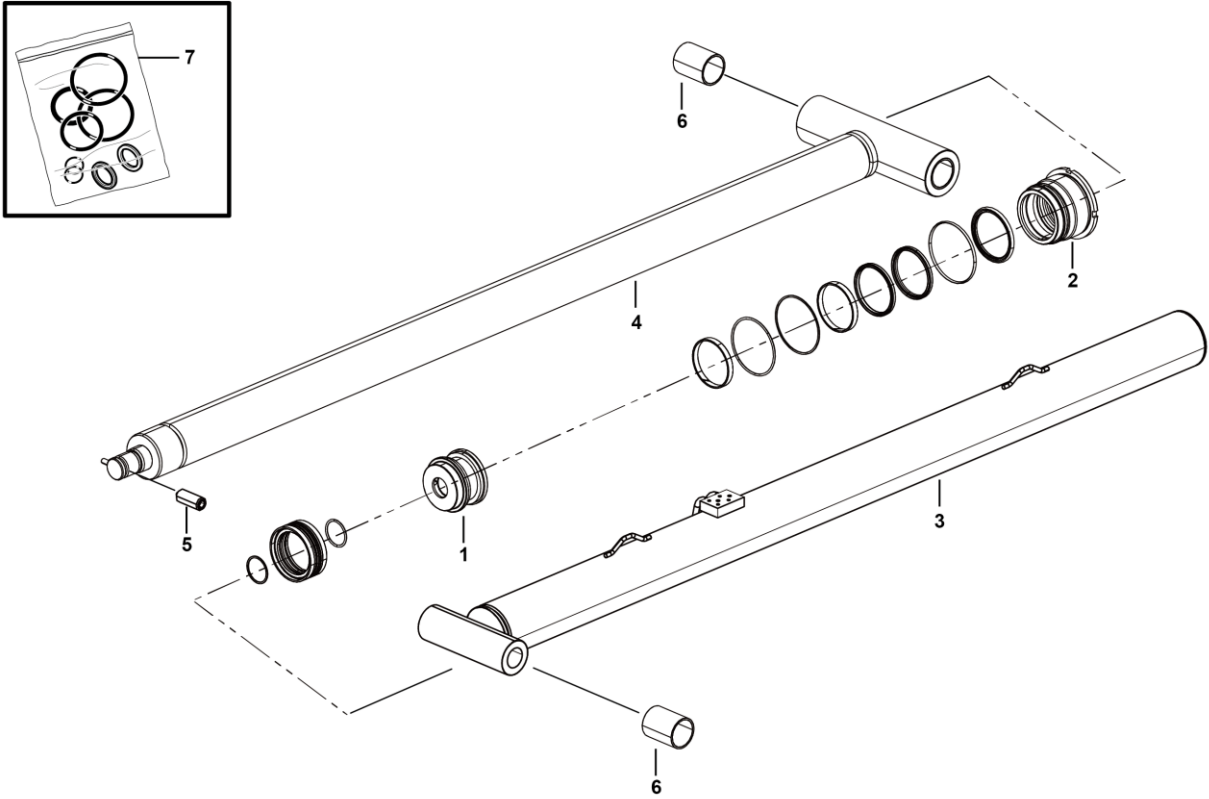
Upper lift cylinder



L2400-4120703565

Key	Part No.	Description	Spare parts Y/N	Qty	Remarks
1	4120703565012	Piston 171113a201	Y	1	
2	4120703565013	Guide sleeve 171422a101	Y	1	
3	4120703565014	Cylinder tube assembly170213f101	Y	1	
4	4120703565015	Hollow piston assembly 170722c101	Y	1	
5	4120703565016	Hexagon socket set screw with cone point 262508r004	Y	1	
6	4120703565017	Self-lubricating composite bearing 272199b030	Y	4	
7	4120703565001	Upper lifting cylinder sealing kit 041322b201-sk01	Y	1	

Lower lift cylinder

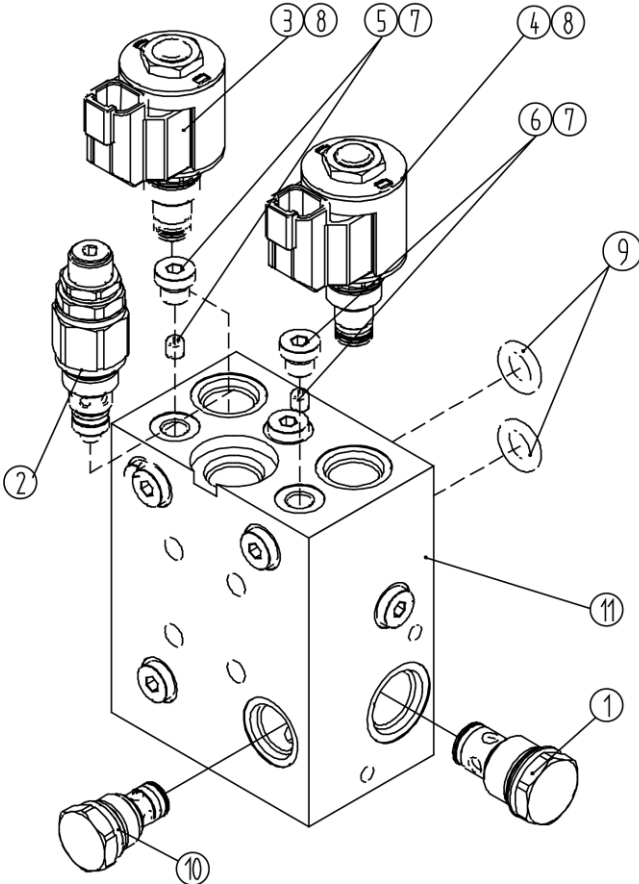


L2400-4120703566

Key	Part No.	Description	Spare parts Y/N	Qty	Remarks
1	4120703566013	Piston 171160a200171160a200	Y	1	
2	4120703566014	Guide sleeve 171427a101171427a101	Y	1	
3	4120703566015	Cylinder tube assembly 170260c101170260c101	Y	1	
4	4120703566016	Hollow piston assembly 170727c101	Y	1	
5	4120703566017	Hexagon socket set screw with cone point 262508r005	Y	4	
6	4120703566018	Self-lubricating composite bearing 272199b030	Y	1	
7	4120703566001	Lower cylinder sealing kit	Y	1	



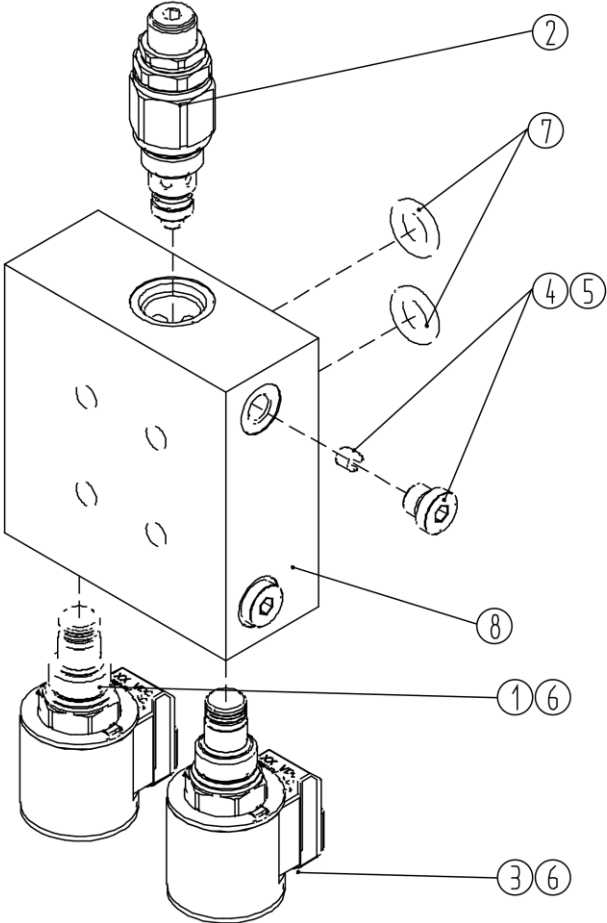
Lower lift cylinder control valve st5197-ab00



Key	Part No.	Description	Spare parts Y/N	Qty	Remarks
1	4120704190002	Check valve cvc0.s10.0y.000, preventing oil from flowing back	Y	1	
2	4120001901001	Relief valve strv08-b-120a	Y	1	
3	4120704028002	Solenoid valve sp08-20-0-n-0, lowering reversing fork frame and controlling lowering speed	Y	1	
4	4120704893001	Solenoid valve sf08-20-0-p-0, lowering reversing fork frame	Y	1	
5	4120704892001	M6 damper stty002-2.4	Y	1	
6	4120002602003	Damper, for controlling speed and stabilizing flow	Y	1	
7	4129900116002	Plug 4bn-02wd	Y	8	
8	4120001571010	Coil 4303612	Y	2	
9	4120002045004	Plug sae-4	Y	2	
10	4120001490007	Check valve stcv08-0-000a, for controlling inlet flow direction of 2-speed motor	N	1	
11	4120704892002	Valve block st5197-a000m	Y	1	

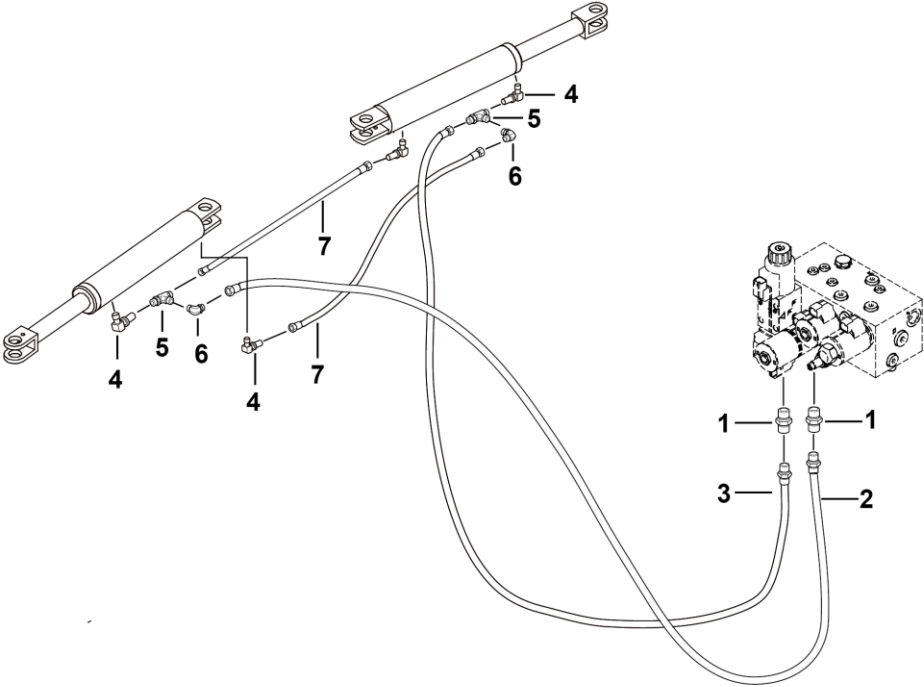


Upper lifting cylinder control valve st5198-ab00



Key	Part No.	Description	Spare parts Y/N	Qty	Remarks
1	4120704028002	Solenoid valve sp08-20-0-n-0, lowering reversing fork frame and controlling lowering speed	Y	1	
2	4120001901001	Relief valve strv08-b-120a	Y	1	
3	4120704893001	Solenoid valve sf08-20-0-p-0, lowering reversing fork frame	Y	1	
4	4120001159006	M6 damper stty002-1.0	Y	1	
5	4129900116002	Plug 4bn-02wd	Y	3	
6	4120001571010	Coil 4303612	Y	2	
7	4120002045004	Plug sae-4	Y	2	
8	4120704893002	Valve block st5198-a000m	Y	1	

Steering hydraulic assembly

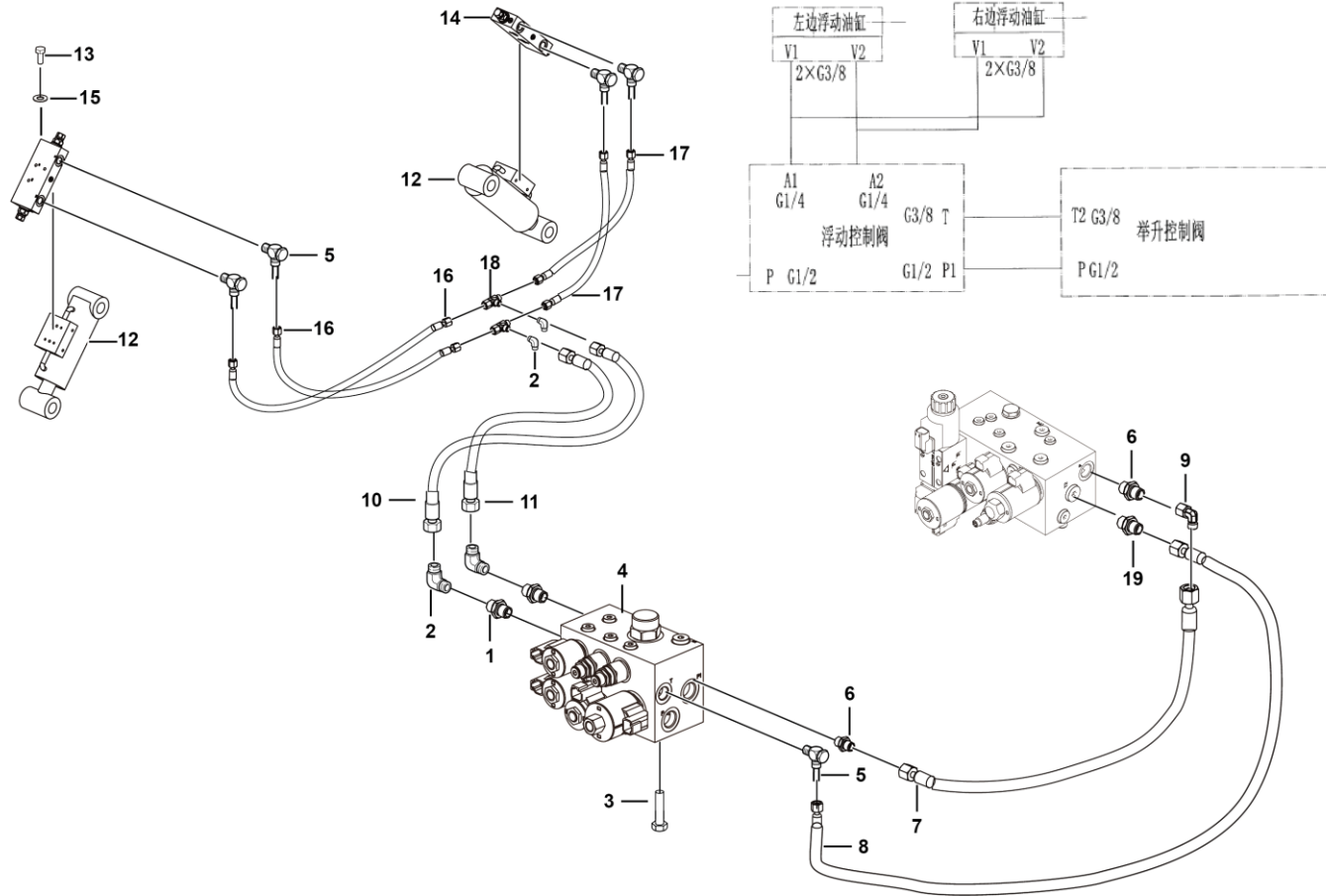


L2300-2539000015.S1a

Key	Part No.	Description	Spare parts Y/N	Qty	Remarks
1	4120001170	Fitting ge08lredomdcf	Y	2	
2	4120704909	Steering fluid hose fc402caca080804-2100, control valve-steering cylinder	Y	1	
3	4120704910	Steering fluid hose fc402caca080804-2500, control valve-steering cylinder	Y	1	
4	4120704612	Hinged joint swve08lrkdsomd	Y	4	
5	4190000208	Tee fitting el08lomda3c	Y	2	
6	4190000698	Fitting ew08lomda3c	Y	2	
7	4120704911	Steering fluid hose fc402caca080804-720, control valve-steering cylinder	Y	2	



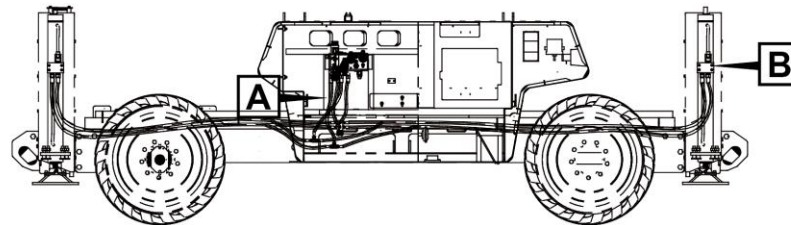
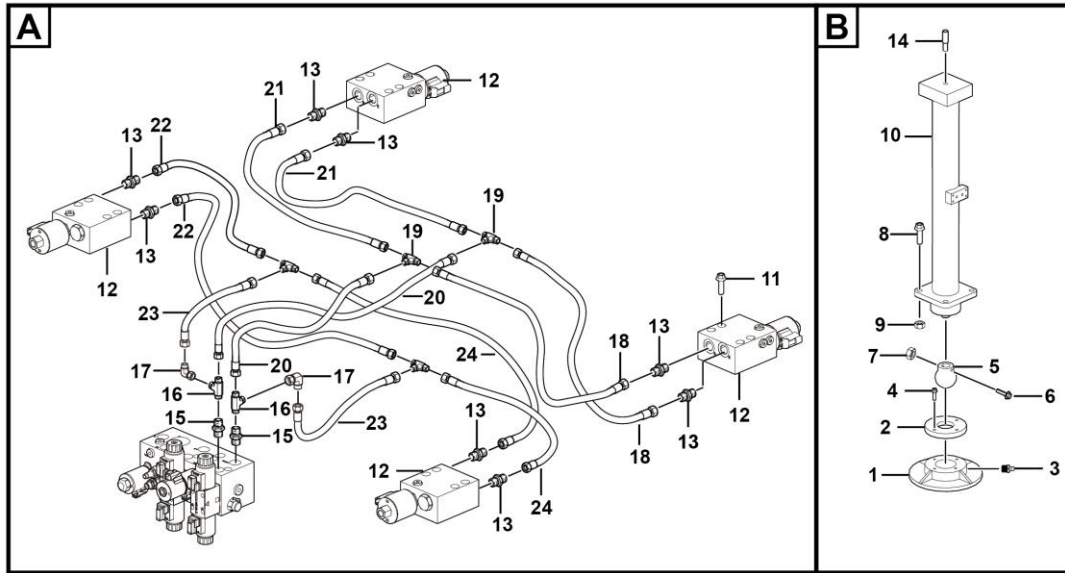
Axle swing hydraulic assembly



L2600-2511000055.S1a

Key	Part No.	Description	Spare parts Y/N	Qty	Remarks
1	4120704913	Fitting ge12lr1/4edomdcf	Y	2	
2	4129900314	Fitting ew12lomda3c	Y	5	
3	4011010964	Bolt gb16674-m8*16flznyc-8.8-480	Y	3	
4	4120001572	Floating cylinder valve	Y	1	
5	4120001666	Hinged joint swve12rcf	Y	5	
6	4120002235	Fitting ge15lredomdcf	Y	2	
7	4120706206	Hose fc402cacf151508-700, floating control valve-lifting control valve	Y	1	
8	4120705687	Hose fc402caca121206-650, floating control valve-lifting control valve	Y	1	
9	4190000699	Fitting ew15lomda3c	Y	1	
10	4120001193	Hose f471tccaca121206-2500, floating control valve	Y	1	
11	4120704922	Hose f471tccaca121206-2800, floating control valve	Y	1	
12	4120001578	Floating cylinder	Y	2	
13	4014010397	Screwgb70.1-m6*40flznyc-12.9-480	Y	6	
14	4120001586	Floating balance valve	Y	2	
15	25110000571	M6 hard gasket, 12*6.5*2	Y	6	
16	4120704923	Hosef471tccaca121206-460, floating balance valve	Y	2	
17	4120704296	Hosef471tccaca121206-310 , floating balance valve	N	2	
18	4120001226	Tee fitting t12lcfx	Y	2	
19	4120001224	Fitting ge12lredomdcf	Y	1	

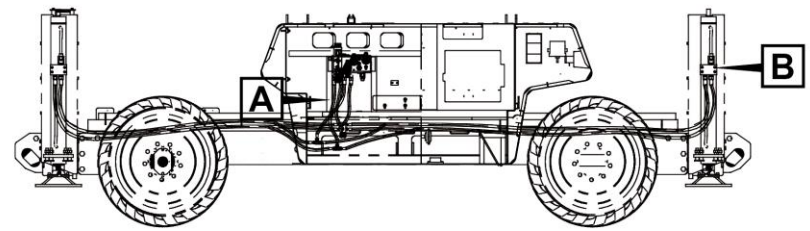
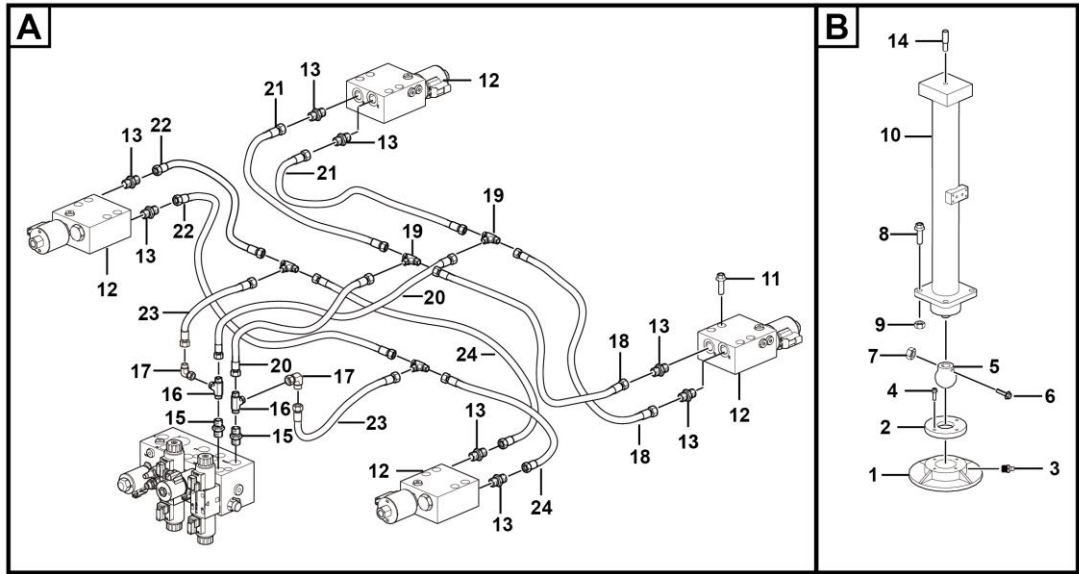
Outrigger hydraulic assy



L2800-2513000070.S1b

Key	Part No.	Description	Spare parts Y/N	Qty	Remarks
1	25130000022	Forming (stamping, etc.),outrigger cylinder support	Y	4	
2	25130000072	Outrigger cylinder mounting pressure plate	Y	4	
3	4030000065	Grease fitting jb7940.1-m10*1	Y	4	
4	4011010908	Screw gb70.1-m8*25flznyc-8.8-480	Y	16	
5	25130000673	Outrigger mounting ball joint	Y	4	
6	4014010461	Screwgb70.1-m10*70flznyc-10.9-480	Y	4	
7	4013010385	Nut gb6184-m10flznyc-10-480	Y	4	
8	25130000061	Outrigger cylinder mounting bolt, m14*30	Y	16	
9	4013010384	Nut gb6184-m14*1.5flznyc-10-480	Y	16	
10	4120702862	Outrigger cylinder	Y	4	
11	4014010462	Screwgb70.1-m8*55flznyc-12.9-480	Y	16	
12	4120704687	Outrigger cylinder control valve st4652-ab0a	Y	4	
13	4120704913	Fitting ge12lr1/4edomdcf	Y	8	
14	25130000081	Outrigger cylinder guide stud, m14*60	Y	4	
15	4120001224	Fitting ge12lredomdcf	Y	2	
16	4120000619	Tee fitting el12lomda3c	Y	2	
17	4129900314	Fitting ew12lomda3c	Y	2	
18	4120702841	Hose fc402caca121206-3500, outrigger cylinder control valve	Y	2	
19	4120001226	Tee fitting t12lcfx	Y	4	
20	4120706219	Hose fc402caca121206-700, lift control valve-tank	Y	2	
21	4120704918	Hose fc402caca121206-2840, outrigger cylinder control valve	Y	2	
22	4120706949	Hose fc402caca121206-2750, outrigger cylinder control valve	Y	2	

Outrigger hydraulic assy



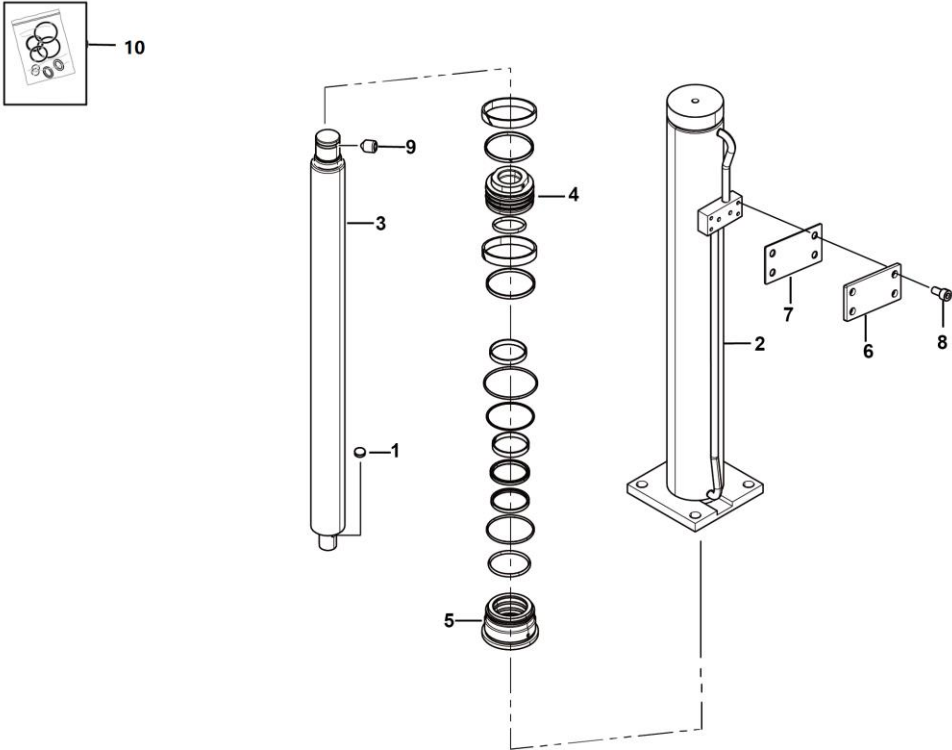
L2800-2513000070.S1b

Key	Part No.	Description	Spare parts Y/N	Qty	Remarks
23	4120705093	Hose fc402caca121206-1590, control valve	Y	2	
24	4120702841	Hose fc402caca121206-3500, outrigger cylinder control valve	Y	2	

Hydraulic system



Outrigger cylinder

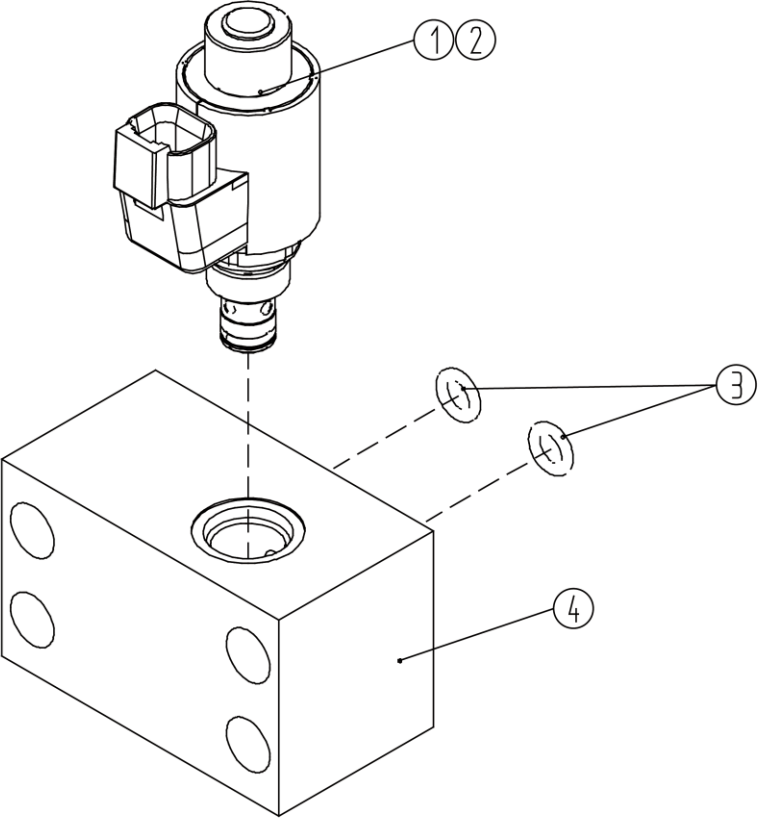


L2800-4120702862

Key	Part No.	Description	Spare parts Y/N	Qty	Remarks
1	4120703766018	Locking tab 166301a100	Y	2	
2	4120702862012	Cylinder tube assembly 170213d150	Y	1	
3	4120702862013	Piston rod 170619c150	Y	1	
4	4120702862014	Piston 171113a153	Y	1	
5	4120702862015	Guide sleeve 171419a150	Y	1	
6	4120702862016	Cover plate 1714101a159	Y	1	
7	4120702862017	Rubber gasket1714102a159	Y	1	
8	4120702862018	Hexagon socket head screw 262108c002	Y	4	
9	4120702862019	Hexagon socket set screw with cone point 262508r002	Y	1	
10	4120702862020	Seal kit for outrigger cylinder	Y	1	



Outrigger cylinder control valve st4652-ab0a



Key	Part No.	Description	Spare parts Y/N	Qty	Remarks
1	4120704687001	Solenoid valve svd0.s08.00. n00, controlling floating cylinder	Y	1	
2	4120704687002	Coil str0a-c24-01	Y	1	
3	4120002399	O-ring 10.77*2.62	Y	2	
4	4120002545001	Valve block st4652-a000m	Y	1	

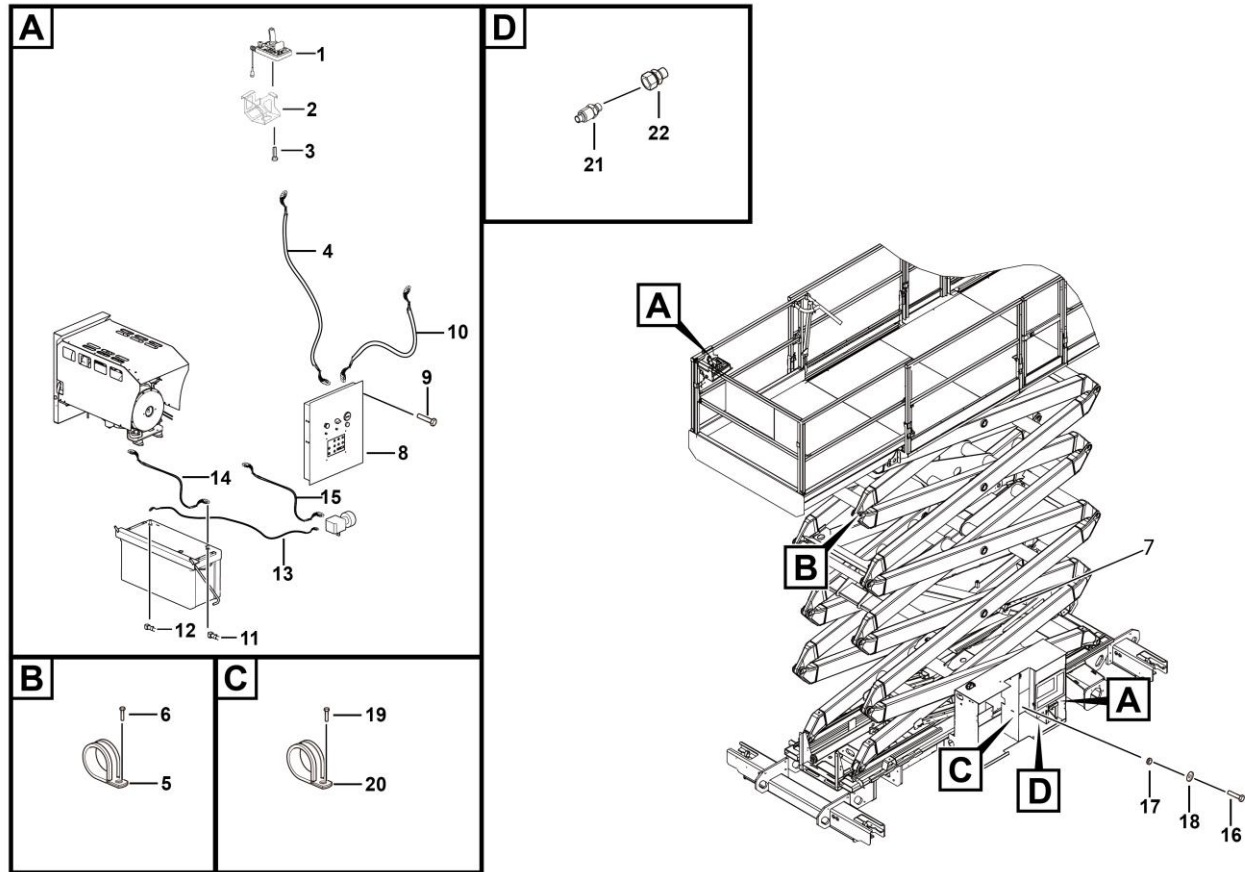


M
ELECTRIC SYSTEM



LINGONG GROUP JINAN HEAVY MACHINERY CO., LTD.

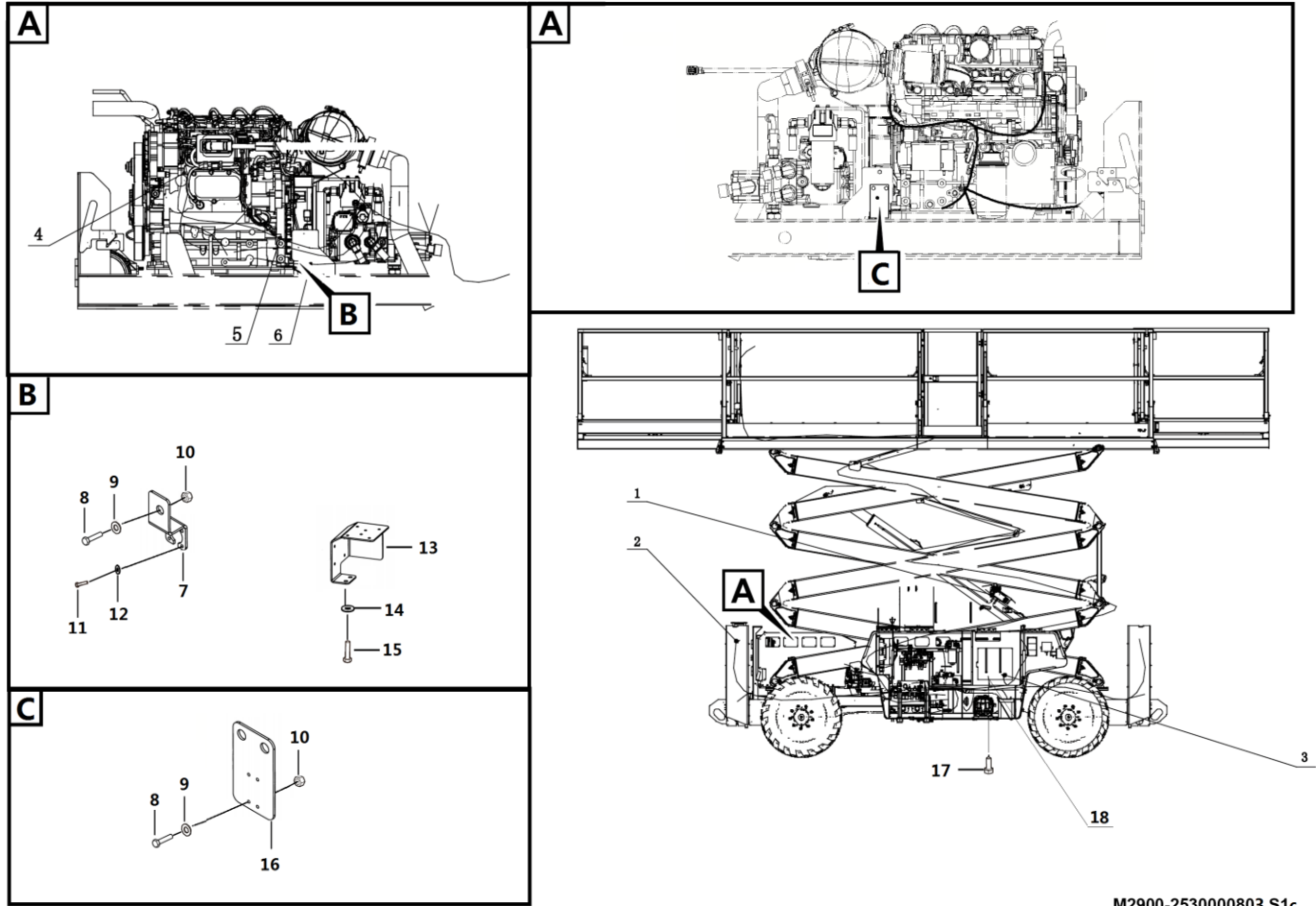
Electrical assembly



M2900-2530001486.S1B

Key	Part No.	Description	Spare parts Y/N	Qty	Remarks
1	4130702377	Platform controller pcu-g2-ce	Y	1	
2	25210056152	Pcu bracket weldment	Y	1	
3	4011010754	Bolt gb16674-m6*12flznyc-8.8	Y	4	
4	25300000652	Pcu harness,main harness-pcu	Y	1	
5	28129900131	Pipe clamp, 25*5*20	Y	2	
6	4011011106	Bolt gb16674-m12*20flznyc-8.8-480	Y	2	
7	4130701538	Pressure sensor	Y	1	
8	4130702035	Lower control panel assembly	Y	1	
9	4011010993	Bolt gb16674-m10*20flznyc-8.8-480	Y	4	
10	25300008031	Body harness assembly	N	1	
11	26370002451	Cable sleeve	Y	2	
12	26370002441	Cable sleeve	Y	4	
13	25300010012	Power cable p70*800, power switch-battery -	Y	1	
14	25300007963	Power cable p70*5200, engine starter-battery +	Y	1	
15	25300009063	Power cable p70*5500, engine flywheel housing-power switch	Y	1	
16	4011010722	Bolt gb5783-m10*25flznyc-8.8-480	Y	1	
17	4013010296	Nut gb889.1-m10flznyc-8	Y	1	
18	4015010339	Washer gb97.1-10flznyc-300hv-480	Y	2	
19	4011010994	Bolt gb16674-m8*25flznyc-8.8-480	Y	2	
20	27150109581	Pipe clamp, harness	Y	2	
21	4130001234	Pressure sensor	Y	1	
22	25080009941	Transition joint g1/4-m14	Y	1	

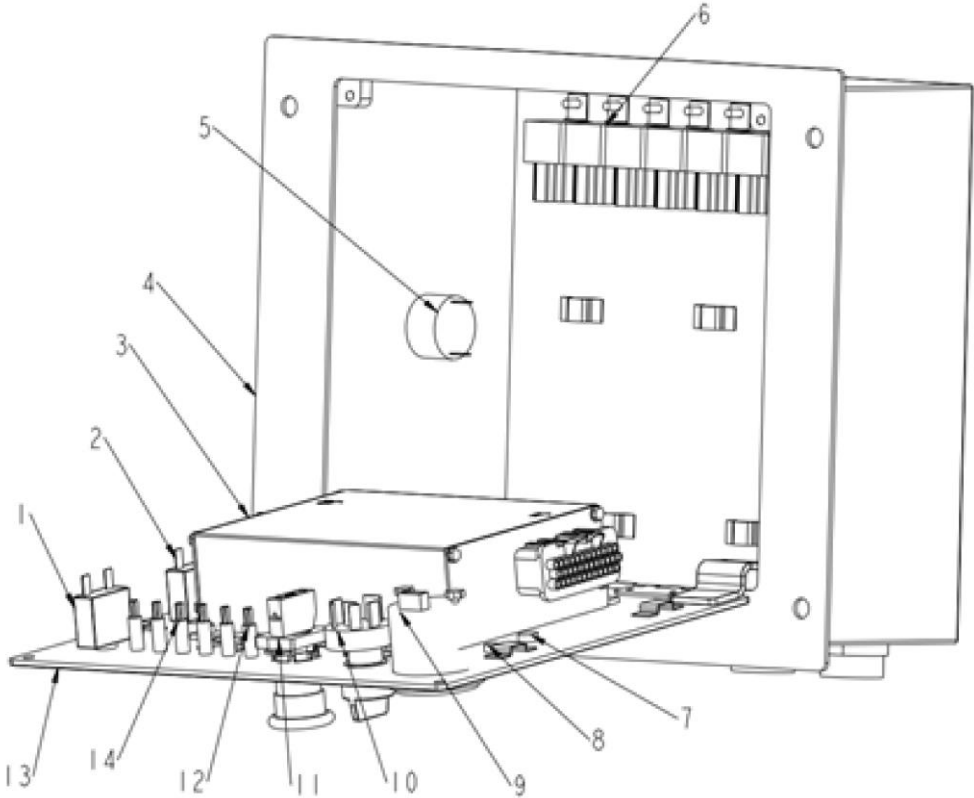
Body harness assembly



M2900-2530000803.S1c

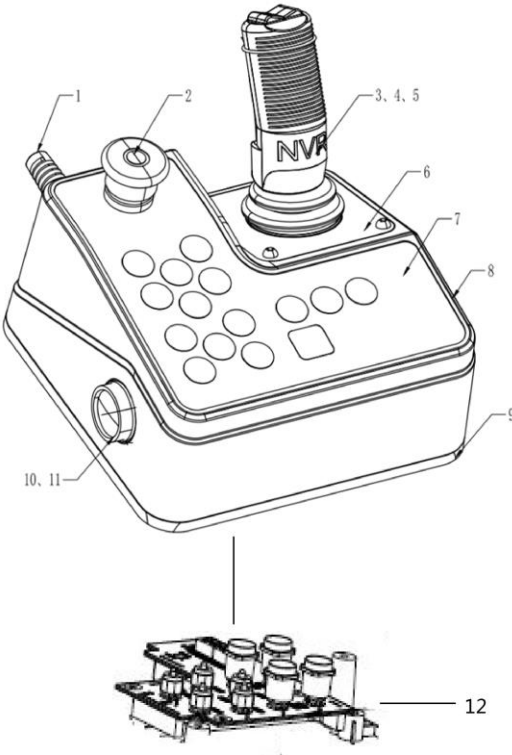
Key	Part No.	Description	Spare parts Y/N	Qty	Remarks
1	25300010802	Fork harness,pressure sensor-main harness	Y	1	
2	25300011491	Body front harness, main harness-solenoid valve	Y	1	
3	25300008047	Body rear harness, main harness-solenoid valve	Y	1	
4	25310003381	Power cable p25*1800, engine alternator-engine starter	Y	1	
5	25300010031	Pre-heating harness, engine	Y	1	
6	25300010932	Power cable p20*1150, engine starter-preheating relay	Y	1	
7	25300010951	Forming (stamping, etc.),diagnostic port mounting plate	Y	1	
8	4014010417	Screw gb818-m3*20flznyc-4.8-480	Y	6	
9	4015010370	Washer gb97.1-3flznyc-300hv	Y	12	
10	4013010387	Nut gb889.1-m3flznyc-8-480	Y	6	
11	4011010824	Bolt gb5783-m12*20flznyc-8-480	Y	1	
12	4015010340	Washer gb97.1-12flznyc-300hv-480	Y	1	
13	25300010971	Forming (stamping, etc.),baffle,for protecting harness	Y	1	
14	4015010279	Washer gb97.1-10flznyc-480	Y	2	
15	4011010748	Bolt gb5783-m10*20flznyc-8.8-480	Y	2	
16	25300010961	Fuse mounting plate	Y	1	
17	4011010754	Bolt gb16674-m6*12flznyc-8.8	Y	4	
18	25300011501	8-core short connection	Y	1	

Lower control panel assembly



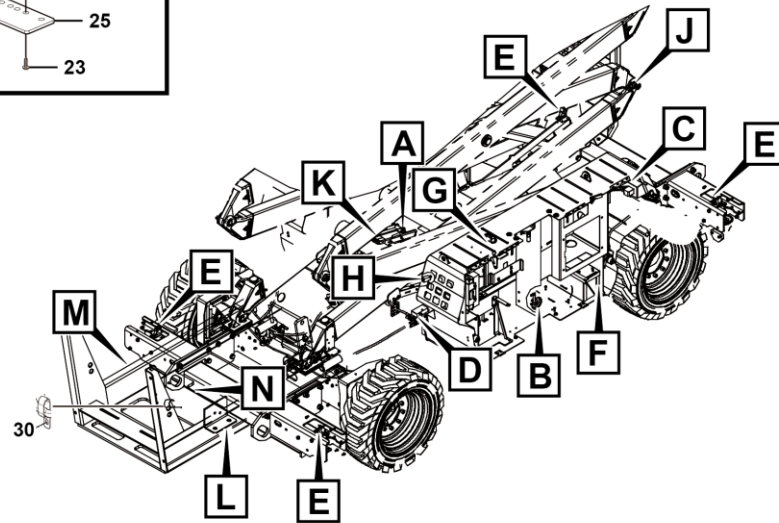
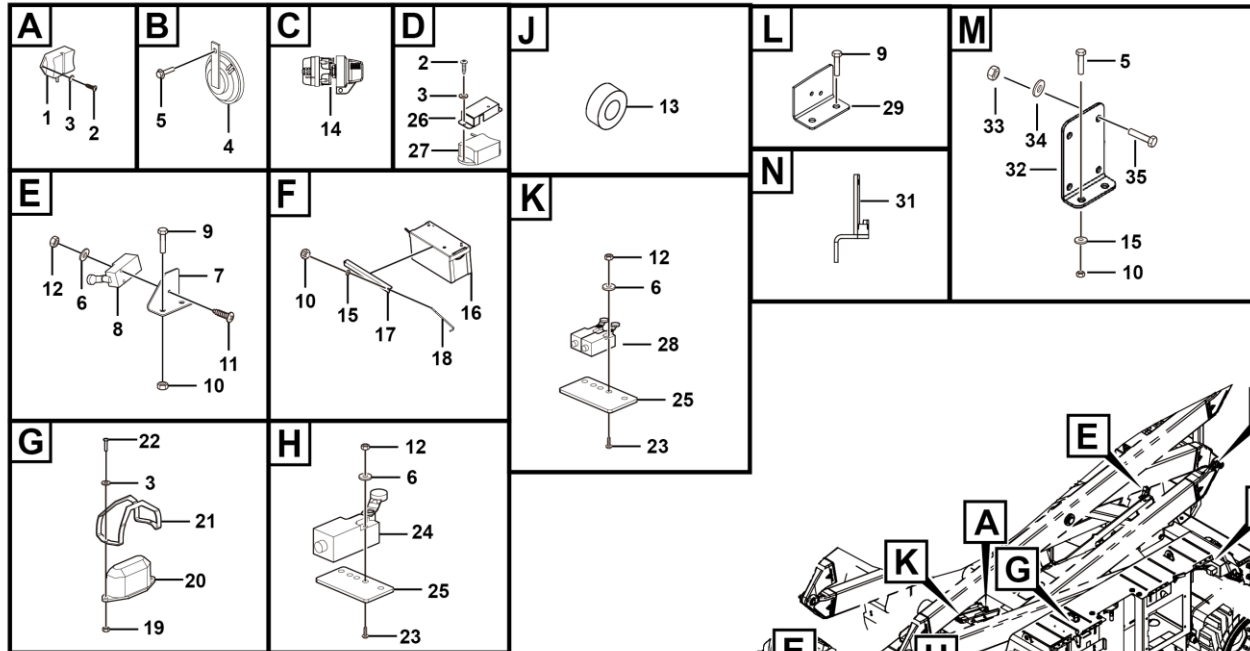
Key	Part No.	Description	Spare parts Y/N	Qty	Remarks
1	4130701636007	20a circuit breaker 10420008	Y	1	
2	4130701752002	Circuit breaker 10420006	Y	1	
3	4130702035001	Gcu-off-road 60020196	Y	1	
4	4130702035002	Lower control panel body 20020255	Y	1	
5	4130701636008	Buzzer 10430003	N	1	
6	4130701636010	Relay 10450018	Y	7	
7	4130702035003	Screw-in plug 20020176	Y	1	
8	4130702035004	Stainless steel plug 29700189	Y	1	
9	4130701636005	Timer 10480013	N	1	
10	4130701636003	Key switch 10420057 (key code 4130000723001)	Y	1	
11	4130701751007	Emergency stop switch 10420049	Y	1	
12	4130702035005	Yellow signal indicator 10480030	Y	1	
13	4130702035006	Lower control panel indication panel 20020256	Y	1	
14	4130701848001	Overload indicator 10480006	Y	5	

Platform control unit assembly



Key	Part No.	Description	Spare parts Y/N	Qty	Remarks
1	4130701751009	Spring harness10470083	N	1	
2	4130701751007	Emergency stop switch 10420049	Y	1	
3	4130701751012	Silicone sleeve for joystick 20020132	Y	1	
4	4130701751008	Hall effect joystick10480012	N	1	
5	4130701751011	Joystick adapter harness assembly 10470114	Y	1	
6	4130702313001	Joystick direction decal 20020249	Y	1	
7	4130702377001	Platform controller sticker 20020221	Y	1	
8	4130702313003	Pcu housing 20020217	Y	1	
9	4130702313004	Pcu holder 20020218	Y	1	
10	4130701636008	Buzzer 10430003	N	1	
11	4130001046015	Buzzer harness 10470100	N	1	
12	4130702313005	Pcba? ? ? 50020087	Y	1	

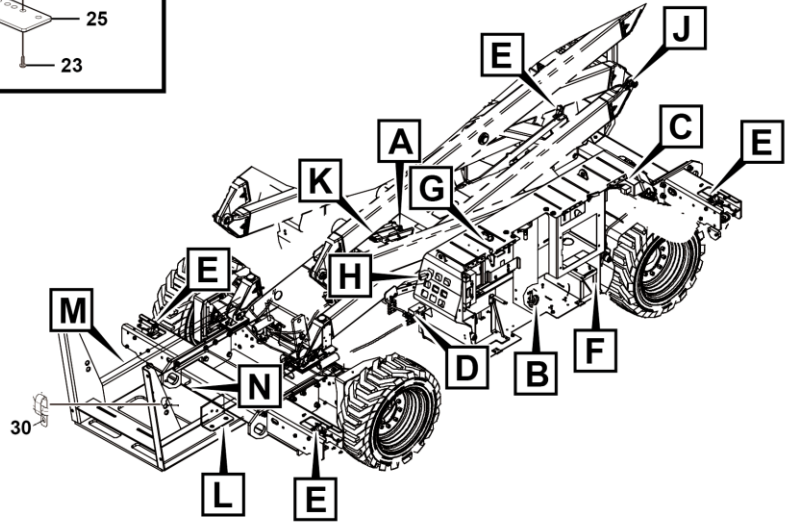
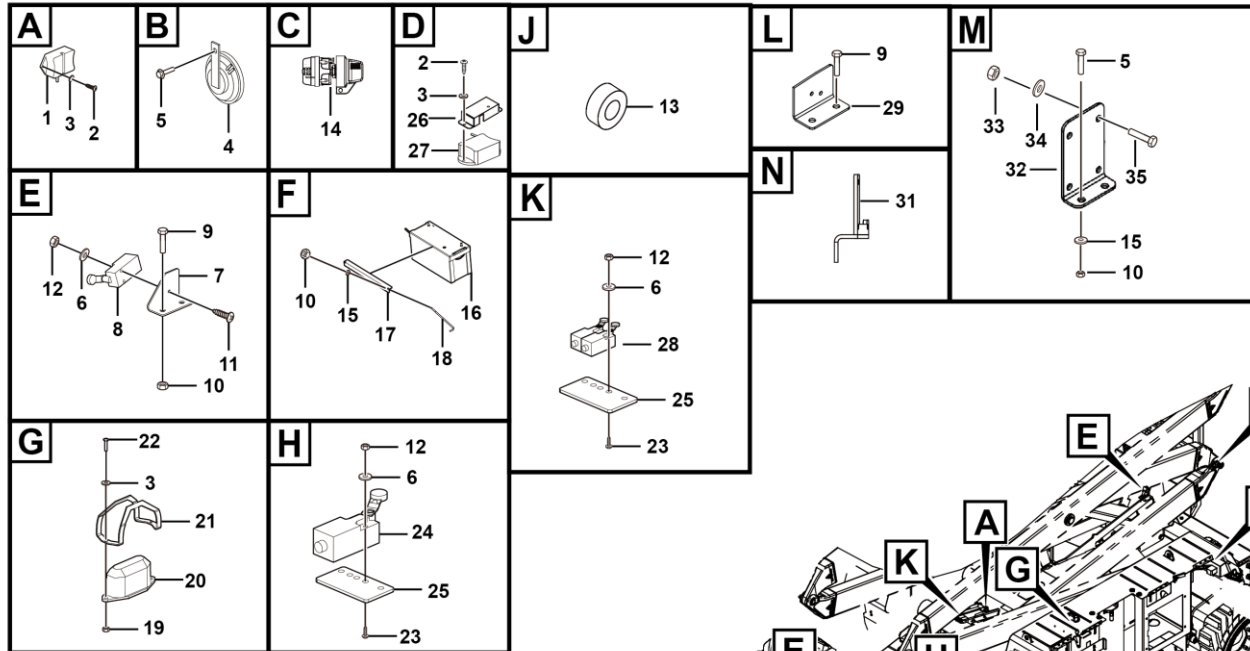
Chassis electrical assembly



M3101-2532001326.S1a

Key	Part No.	Description	Spare parts Y/N	Qty	Remarks
1	4130000734	Angle sensor sysa	Y	1	
2	4014010416	Screw gb818-m4*10flznyc-8.8-480	Y	4	
3	4015010290	Washer gb97.1-4flznyc-480	Y	12	
4	4130001029	Horn dc12v	Y	1	
5	4011010966	Bolt gb16674-m8*20flznyc-8.8-480	Y	3	
6	4015010283	Washer gb97.1-5flznyc-480	Y	28	
7	25320001344	Forming (stamping, etc.)	Y	4	
8	4130701637	Lower limit switch	Y	4	
9	4011011069	Bolt gb16674-m8*35flznyc-10.9-480	Y	10	
10	4013010396	Nut gb889.1-m8flznyc-10	Y	12	
11	4014010123	Screw gb70.1-m5*40flznyc-8.8-480	Y	8	
12	4013010305	Nut gb889.1-m5flznyc-8-480	Y	14	
13	25320005621	Cushion block, 24*12*10	Y	2	
14	4130702113	Dc power switch 75920-10	Y	1	
15	4015010280	Washer gb97.1-8flznyc-480	Y	12	
16	4130000059	Battery 6-qw-120b	Y	1	
17	25320001381	Weldment, locking angle steel,	Y	1	
18	25320001321	Threaded rod, m8	Y	2	
19	4013010304	Nut gb6170-m4flznyc-8-480	Y	4	
20	4130001028	Operating indicator lte5051-12v	Y	2	
21	25320000192	Housing, operating indicator	Y	2	
22	4014010121	Screw gb818-m4*20flznyc-4.8-480	Y	4	

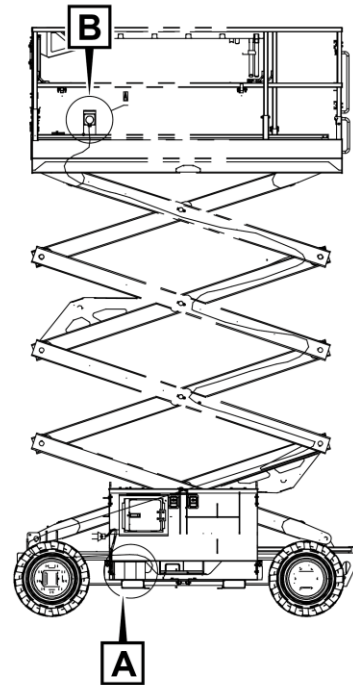
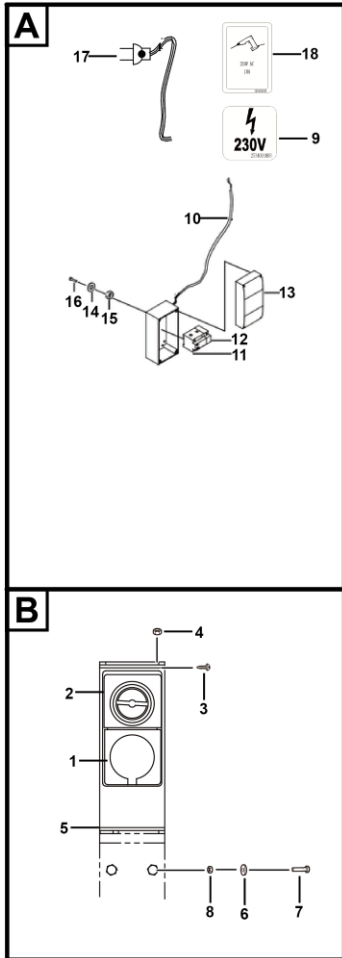
Chassis electrical assembly



M3101-2532001326.S1a

Key	Part No.	Description	Spare parts Y/N	Qty	Remarks
23	4014010353	Screwgb70.1-m5*45flznyc-8.8	Y	6	
24	4130001025	Travel switch xckp2121p16	Y	1	
25	25320001361	Plate, fixing travel switch	Y	2	
26	25320013273	Forming (stamping, etc.),tilt sensor housing	Y	1	
27	4130001027	Tilt sensor	Y	1	
28	4130701635	Travel switch	Y	2	
29	25320013283	Forming (stamping, etc.),ecu mounting plate	Y	1	
30	4041010363	Pipe clamp lgb169-a20*12.5, fuel pipe	Y	6	
31	25320013311	Weldment, bracket	Y	1	
32	25300010022	Forming (stamping, etc.), preheating relay support mounting plate	Y	1	
33	4013010407	Nut gb56-m6flznyc-8-480	Y	2	
34	4015010284	Washer gb97.1-6flznyc-480	Y	4	
35	4011010747	Bolt gb5783-m6*16flznyc-8.8-480	Y	2	

Electric assembly



M3300-2533001181.S1B

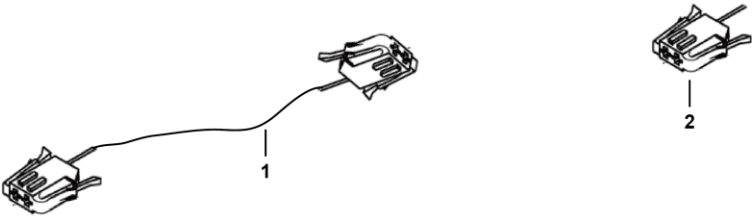
Key	Part No.	Description	Spare parts Y/N	Qty	Remarks
1	4130702374	Device plug	Y	1	
2	4019010267	Waterproof fitting 467315-m25	Y	3	
3	4014010450	Screw gb818-m6*25flznyc-4.8	Y	4	
4	4013010300	Nut gb889.1-m6flznyc-8-480	Y	4	
5	25330011972	Plate	Y	1	
6	4015010280	Washer gb97.1-8flznyc-480	Y	8	
7	4011010743	Bolt gb5783-m8*25flznyc-8.8-480	Y	4	
8	4013010314	Nut gb6185-m8flznyc-8	Y	4	
9	25340018031	Label - warning, power to platform	N	1	
10	25330009091	Wire	Y	1	
11	4130701801	Circuit breaker ic65n	Y	1	
12	4130701802	Residual current operated protective accessory vigi ic65	Y	1	
13	4130701803	Fuse box 56cb1-4n	Y	1	
14	4015010283	Washer gb97.1-5flznyc-480	Y	8	
15	4013010305	Nut gb889.1-m5flznyc-8-480	Y	8	
16	4014010424	Screw gb818-m5*25flznyc-8-480	Y	8	
17	25330011922	Wire	Y	1	
18	25340000381	Decal-rated voltage	N	1	

O
GPS SYSTEM



LINGONG GROUP JINAN HEAVY MACHINERY CO., LTD.

Gps



O3600-2536000182

Key	Part No.	Description	Spare parts Y/N	Qty	Remarks
1	25360001751	Wire	Y	1	
2	4130703383	Plug-in	Y	1	

