

SR1218D AERIAL WORK PLATFORM PARTS CATALOG



LINGONG GROUP JINAN HEAVY MACHINERY CO., LTD.

Spare parts and services

For the owner of the machines of LGMG,only the spare parts and services of LGMG can make your machine to better maintain the original features.

Only LGMG is able to provide you with the perfect match of pure quality spare parts for your machine and knowledge of professional maintenance staff.Only in this way it can ensure sustainable high productivity and longer service life.

SR1218D AERIAL WORK PLATFORM PARTS CATALOG

2014-11 Version 1 Printed 1

LINGONG GROUP JINAN HEAVY MACHINERY CO.,LTD.

Add: Zhongrun Century Square, No.13777, Jingshi Road, Lixia, Jinan, Shandong, P.R.China

Tel: 86-0531-81663345

Fax: 86-0531-81666853

Web: WWW.LGMG.COM.CN

FOREWORD

This parts catalog of SR1218D aerial work platform is made for the convenience of users to use, repair and maintain the machine, which can be referred in the process of using. It can also help the users to be familiar with the structure and assembly relation of the machine. Parts of the engine are showed in details in its structure handbook, which are no longer contained in the catalog.

The catalog identifies drawings and assembly relations of different parts according to the system. Components which can not be taken apart, such as welding parts or riveted assemblies, are marked only by their code without the list of their consisting parts. The list in the catalog is arranged in Chinese and English.

This catalog is based on the SR1218D standard product, which can be a reference for the other nonstandard products, for more information, please consult LGMG, the local dealer or LinGong website. With the advancement of technology, we will keep on improving the product, so some content in the catalog may be inconsistent with the future products, which will not notice the users. When ordering the spare parts, please be kindly inform us the manufacturing date and serial number of the machine.

THE COMPILER
2013.6

CONTENTS

A. Diesel engine system	BoM Reference	Page
Engine assembly	A0100-2501000791.S1D	10
Engine transmission system	A0101-2501000806.S1C1	12
Coupling	A0100-4110702981	14
Engine cooling system	A0100-2501000819.S1D	16
Radiator assembly m9115765	A0100-4110703397	18
Engine exhaust system	A0100-2501001461.S1B	20
Engine intake system	A0100-2501001467.S1A	22
Air cleaner	A0100-4110001740	24
Engine mount system	A0100-2501001870.S	26
Engine fuel system	A0100-2501002068.S1E	28
Fuel filter 19077-43012	A0100-4110702645	32
Fuel tank assembly	A0200-2502000118.S1A	34
Rotational molded fuel tank assembly lg02-ryx-002	A0200-4110703150	36
Hydraulic oil radiator assembly	A0300-2503000036.S	38
B. Axle system	BoM Reference	Page
Front axle assembly	B0400-2504000368.S1A	42
Rear axle assembly	B0500-2505000218.S	44
D. Chassis system	BoM Reference	Page
Bracket	D1001-2514000077.S1B	48

Front outrigger assembly	D1000-2514000079.S1D	50
Assembly	D1001-2514000080.S1C	52
Chassis assembly	D0701-2516002132.S1B	54
Engine oil tank side	D0800-2518001495.S1A	56
Engine box assemble	D0800-2518001484.S1C	58
Engine tray	D0800-2518000777.S	62
Tank side	D0800-2518001491.S1A	64
Counterweight assembly	D2800-2528000246.S	66

E. Brake system

	BoM Reference	Page
Service brake assembly	E1100-2506000091.S	70

G. Scissor assy installation assembly

	BoM Reference	Page
Fork assembly	G1300-2520003080.S1A	74
Protective arm assembly	G1300-2520000752.S	78
Slider assembly	G1300-2520000754.S	80
Plate assembly	G3100-2520003074.S2A	82
Plate	G1300-2520003076.S	84
Fork assembly	G2000-2520003667.S2B	86
Inner arm	G1300-2520003081.S	88
Inner arm	G1300-2520003083.S	90
Inner arm	G1300-2520003085.S	92

Inner arm	G1300-2520003087.S	94
Inner arm	G1300-2520003089.S	96

I. Cover accessory	BoM Reference	Page
---------------------------	----------------------	-------------

Cover	I1700-2529000222.S1B	100
-------	----------------------	-----

K. Platform assembly	BoM Reference	Page
-----------------------------	----------------------	-------------

Platform assembly	K2100-2521006265.S1A	104
Platform assembly	K2101-2521001268.S1B1	106
Extension platform assembly	K2102-2521001269.S1C1	110
Left limiter assembly	K2100-2521001353.S1B	114
Right limiter assembly	K2100-2521001354.S1B	116
Plug fixing assembly	K2107-2521004219.S2A	118

L. Hydraulic system	BoM Reference	Page
----------------------------	----------------------	-------------

Drive hydraulic assembly	L2300-2507000512.S1B1	122
Travel motor 530375t3531aaaaa	L2300-4120001345	128
Gear pump	L2300-4120001574	132
High-pressure filter kglb-0080005l	L2300-4120001428	134
Reducer 7hpg01fzz30048b	L2300-4120704497	136
Lift control valve st5115-ab0a	L2400-4120704542	138
Lifting control valve assembly	L2401-4120704542	140

Travel control valve st5116-ab0a	L2300-4120704543	142
Hydraulic lifting system	L2400-2508000438.S1C1	144
Upper lift cylinder 76.2*88.9*493*1100	L2401-4120704496	148
Lower lift cylinder control valve st4639-ab0d	L2800-4120706849	150
Lower lift cylinder	L2401-4120704494	152
Upper cylinder valve block st5243-ab0a	L2400-4120706847	154
Wire assembly	L2400-2508000658.S3B	156
Hydraulic tank	L2200-2510000347.S1B	158
Hydraulic tank distribution assembly	L2200-2510000346.S	160
Axle swing hydraulic assembly	L2600-2511000012.S1C	162
Floating cylinder	L2601-4120002494	164
Floating balance valve st8107-a000	L1100-4120002534	166
Outriggers system	L2800-2513000066.S1B1	168
Outrigger cylinder	L2800-4120704011	172
Hydraulic steer system	L2300-2539000007.S1C	174
Steer cylinder 50*25*244-530	L2300-4120706354	176

M. Electric system

	BoM Reference	Page
Control electric assembly	M2900-2530000708.S1B1	180
Ground control box assembly	M3100-4130701848	182
Platform control unit assembly	M2901-4130702377	184
Chassis electric system	M3100-2532001142.S1C1	186

Outrigger electric assembly
Electric assembly

M3100-2532001181.S
M3300-2533001178.S1B

192
194

O. Gps system

BoM Reference

Page

Gps

O3600-2536000182

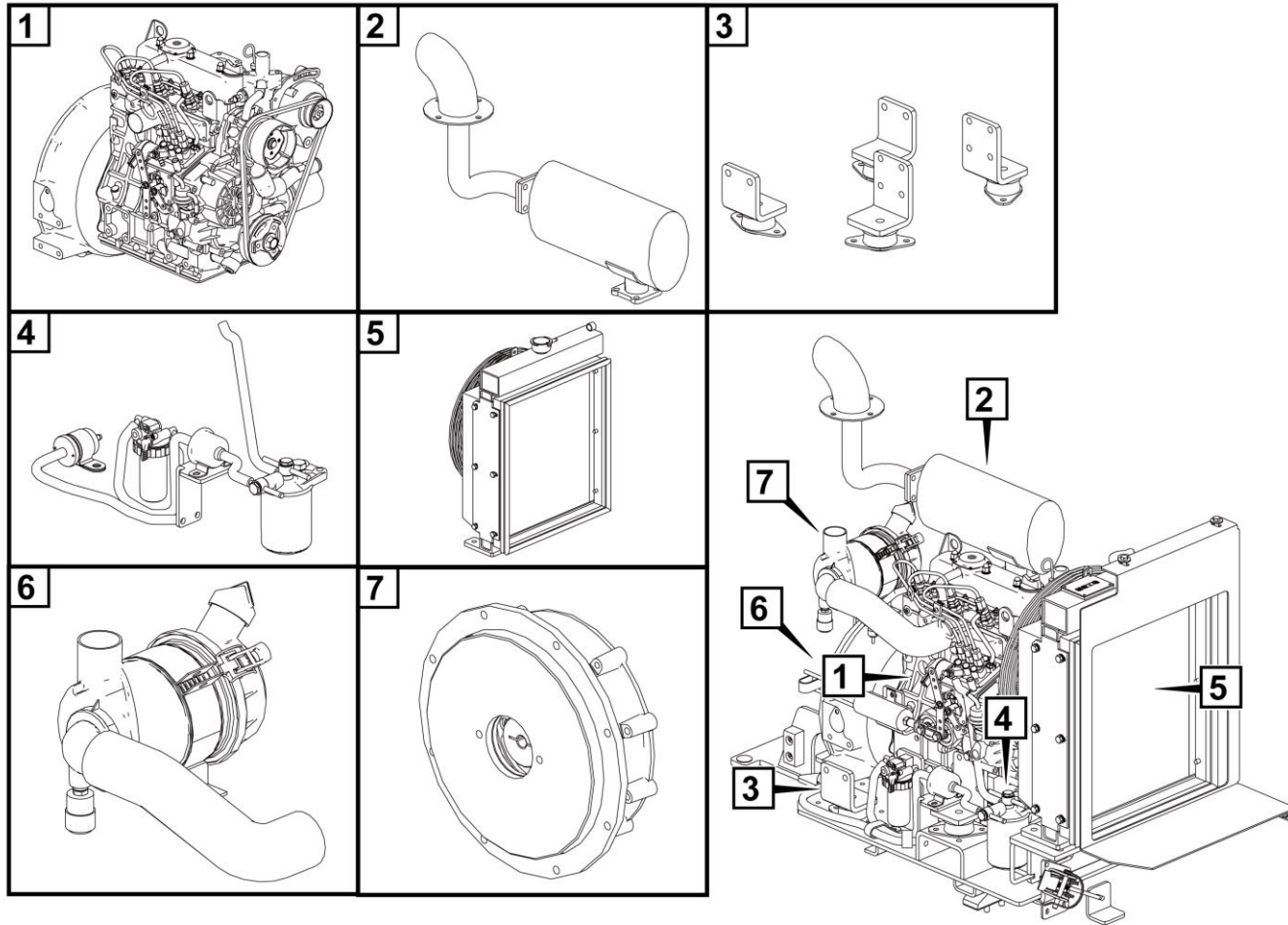
198

A
DIESEL ENGINE SYSTEM



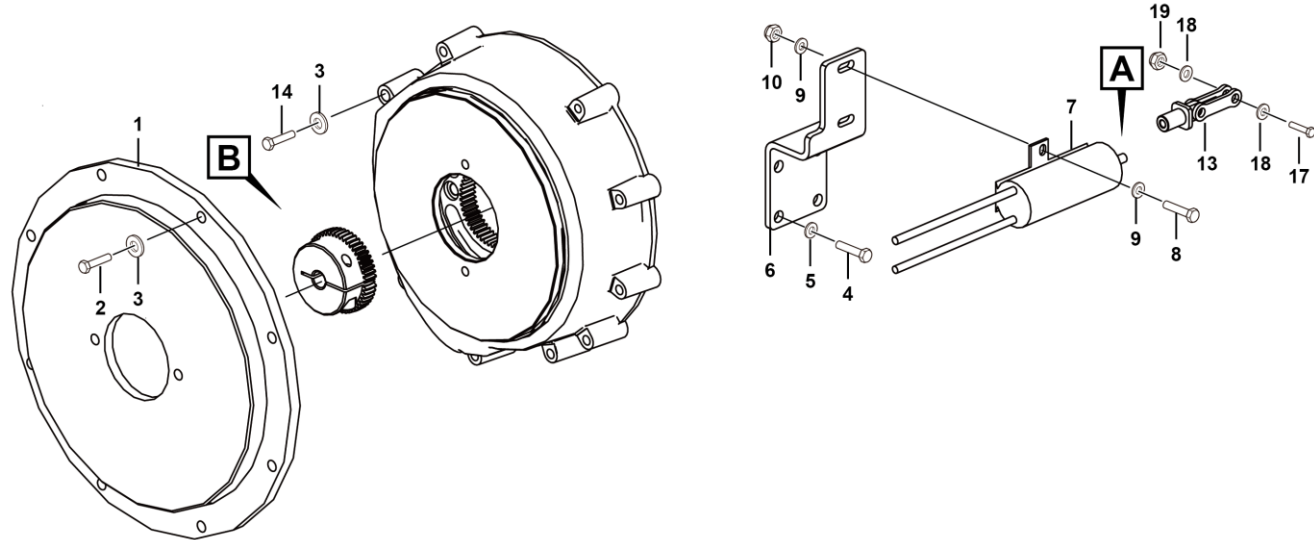
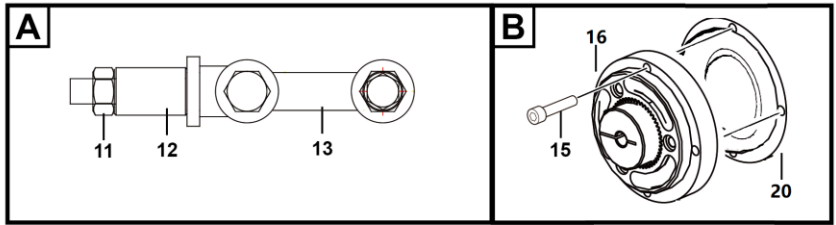
LINGONG GROUP JINAN HEAVY MACHINERY CO., LTD.

Engine assembly



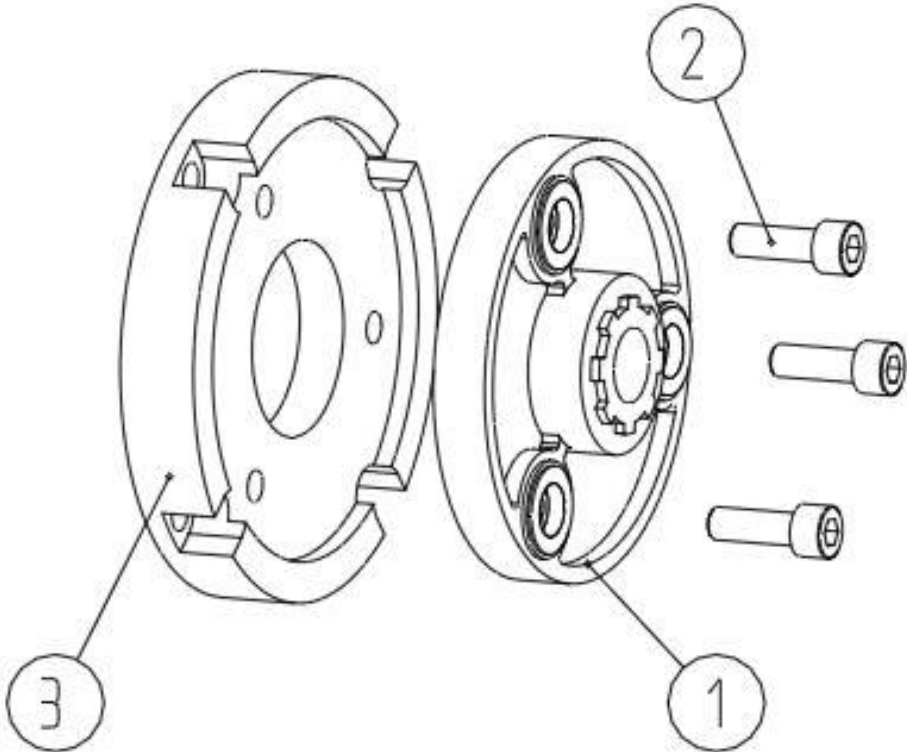
Key	Part No.	Description	Spare parts Y/N	Qty	Remarks
1	4110702631	Engine assembly d1105-e4b-lgl-1s	Y	1	
2	25010014611	Engine exhaust system	N	1	
3	25010018701	Engine mount system	N	1	
4	25010020681	Engine fuel supply system	N	1	
5	25010008191	Engine cooling system	N	1	
6	25010014671	Engine intake system	N	1	
7	25010008061	Engine transmission system	N	1	

Engine transmission system



Key	Part No.	Description	Spare parts Y/N	Qty	Remarks
1	25010026242	Plate	Y	1	
2	4011010707	Bolt gb5783-m10*30flznyc-8.8-480	Y	4	
3	4015010278	Washer gb96.1-10flznyc-480	Y	8	
4	4011011501	Screw gb5786-m10*1.25*25flznyc-8.8-480	Y	4	
5	4015010339	Washer gb97.1-10flznyc-300hv-480	Y	4	
6	25010020631	Bracket weldment, solenoid valve installation	Y	1	
7	4110001405	Solenoid valve 1700-4189, throttle	Y	1	
8	4011010731	Bolt gb5783-m6*25flznyc-8.8-480	Y	2	
9	4015010296	Washer gb96.1-6flznyc-480	Y	4	
10	4013010300	Nut gb889.1-m6flznyc-8-480	Y	2	
11	4013010356	Nut 1/4-28 unf-2b	Y	1	
12	25010010132	Weldment, throttle solenoid fixed seat	Y	1	
13	25010010142	Weldment, tie rod, for connecting solenoid valve	Y	1	
14	4011010727	Bolt gb5783-m10*35flznyc-8.8-480	Y	4	
15	4014010107	Screw gb70.1-m10*1.25*20flznyc-10.9-480	Y	4	
16	4110702981	Coupling rj-sdlg191111ca	Y	1	
17	4011010708	Bolt gb5783-m8*30flznyc-8.8-480	Y	2	
18	4015010280	Washer gb97.1-8flznyc-480	Y	4	
19	4013010297	Nut gb889.1-m8flznyc-8-480	Y	2	
20	25010020741	Plate	Y	1	

Coupling

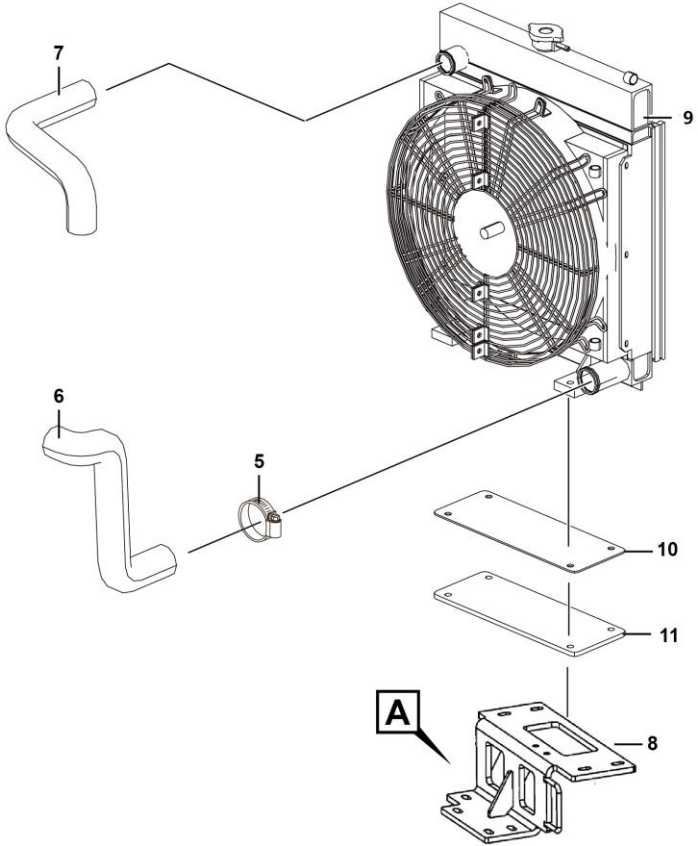
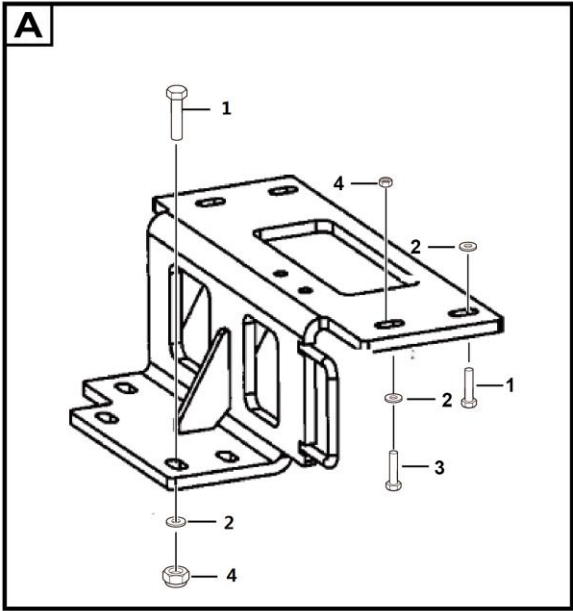


Key	Part No.	Description	Spare parts Y/N	Qty	Remarks
1	4110702981001	Coupling r-fla 135(l=34)-sae16/32 z=13	Y	1	
2	4110702981002	Bolt m10*30	Y	1	
3	4110702981003	Transition plate rj160*25	Y	1	





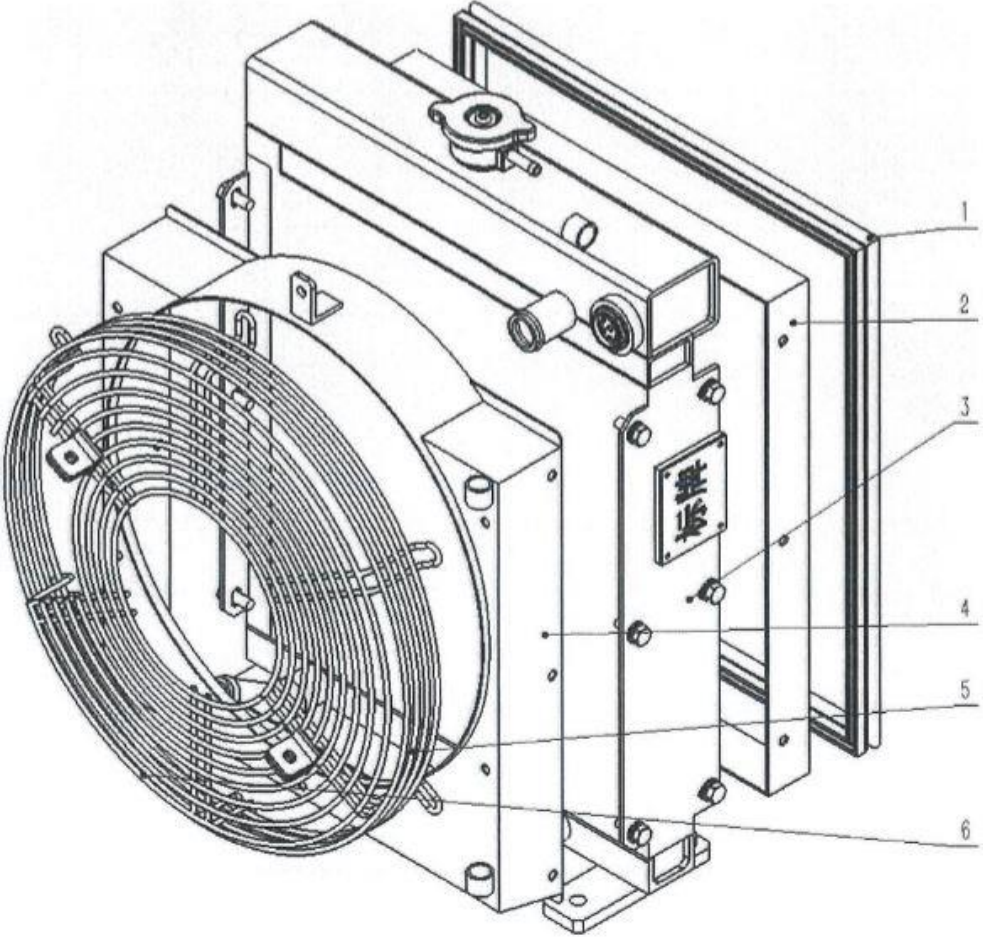
Engine cooling system



A0100-2501000819.S1d

Key	Part No.	Description	Spare parts Y/N	Qty	Remarks
1	4011010706	Bolt gb5783-m10*40flznyc-8.8-480	Y	6	
2	4015010278	Washer gb96.1-10flznyc-480	Y	14	
3	4011010977	Bolt gb5783-m10*60flznyc-8.8-480	Y	2	
4	4013010296	Nut gb889.1-m10flznyc-8	Y	6	
5	4017000008	Hose clamp jb8870-d40	Y	4	
6	25010008151	Engine coolant inlet hose, engine-radiator	Y	1	
7	25010020671	Engine water outlet pipe	Y	1	
8	25010020652	Weldment, radiator bracket	Y	1	
9	4110703397	Radiator assembly m9115765	Y	1	
10	25010008172	Fixed plate, for fixing radiator	Y	2	
11	25010008182	Rubber sheet, for fixing radiator	Y	1	

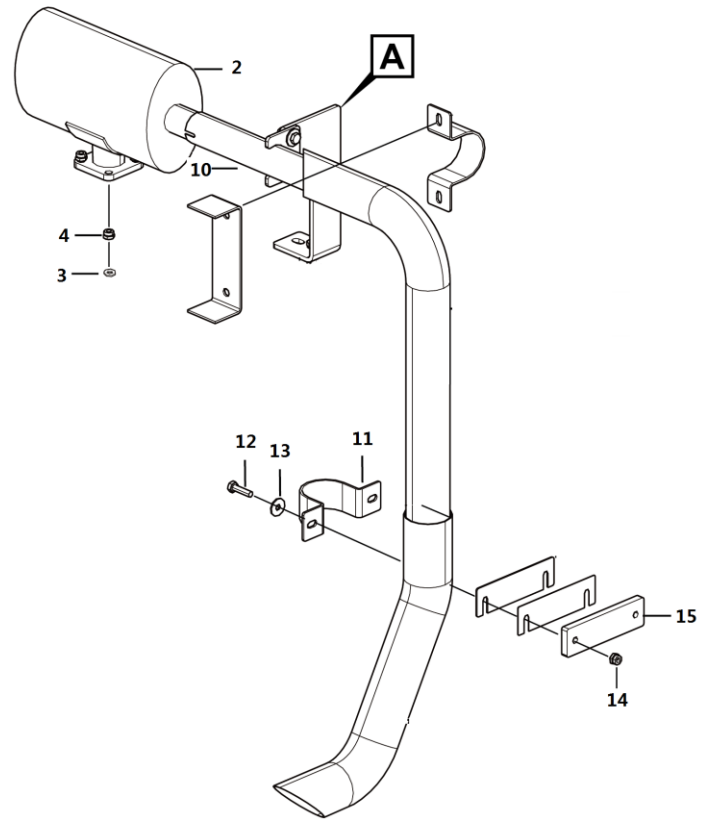
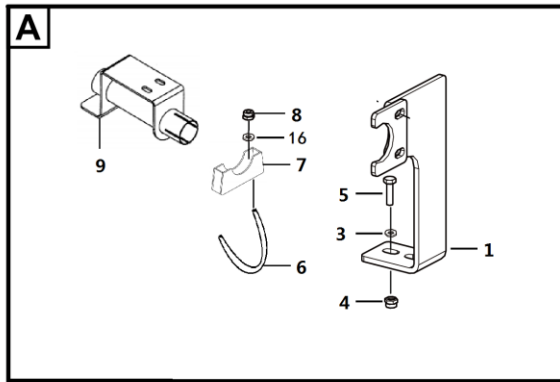
Radiator assembly m9115765



Key	Part No.	Description	Spare parts Y/N	Qty	Remarks
1	4110702633001	U-seal 8290011980	Y	1	
2	4110703289001	Sealing plate qb1325	Y	1	
3	4110703397001	Water radiator s9115765	Y	1	
4	4110703397002	Shroud db1215	Y	1	
5	4110703397003	Guard hb0676	Y	1	
6	4110703397004	Guard hb0677	Y	1	

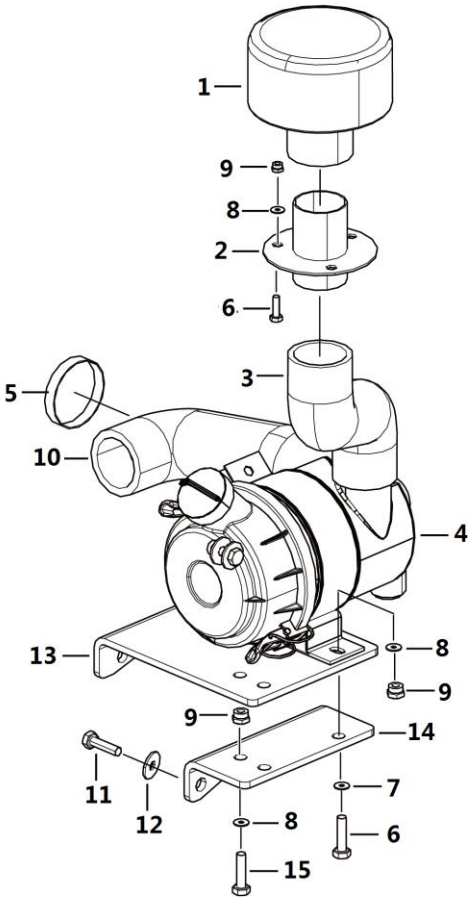


Engine exhaust system



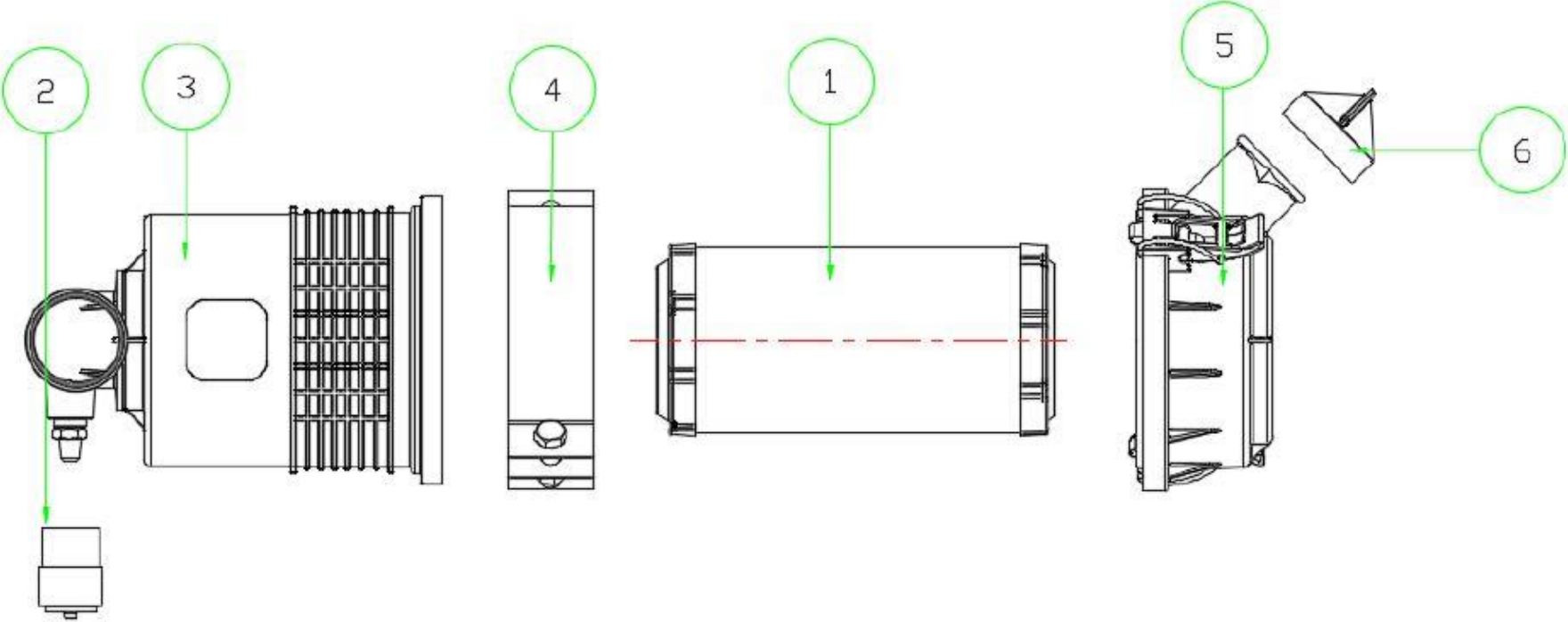
Key	Part No.	Description	Spare parts Y/N	Qty	Remarks
1	25010018943	Bracket weldment, exhaust pipe	Y	1	
2	4110703285	Weldment, muffler 1434	Y	1	
3	4015010280	Washer gb97.1-8flznyc-480	Y	10	
4	4013010350	Nut gb6170-m8epcu-8	Y	6	
5	4011010743	Bolt gb5783-m8*25flznyc-8.8-480	Y	6	
6	25010020571	U bolt	Y	1	
7	25010020561	Seat	Y	1	
8	4013010414	Nut gb6185-m6flznyc-8-480	Y	2	
9	25010018881	Weldment, transition pipe weldment	Y	1	
10	25010018892	Exhaust pipe	Y	1	
11	25010014553	Pipe clamp, for fixing exhaust pipe	Y	2	
12	4011010972	Bolt gb5783-m8*35flznyc-8.8-480	Y	2	
13	4015010289	Washer gb96.1-8flznyc-480	Y	6	
14	4013010297	Nut gb889.1-m8flznyc-8-480	Y	2	
15	25010014592	Cushion block, for fixing exhaust pipe	Y	1	
16	4015010296	Washer gb96.1-6flznyc-480	Y	2	

Engine intake system



Key	Part No.	Description	Spare parts Y/N	Qty	Remarks
1	4110702630	Primary air filter ka10-20-0000i	Y	1	
2	25010014652	Weldment, transition pipe weldment	Y	1	
3	25010014661	Intake bellows	Y	1	
4	4110001740	Air cleaner hsg3077a-l41-0000	Y	1	
5	4017000007	Hose clamp jb8870-d60	Y	4	
6	4011010743	Bolt gb5783-m8*25flznyc-8.8-480	Y	4	
7	4015010289	Washer gb96.1-8flznyc-480	Y	2	
8	4015010280	Washer gb97.1-8flznyc-480	Y	10	
9	4013010297	Nut gb889.1-m8flznyc-8-480	Y	6	
10	25010008022	Engine intake hose	Y	1	
11	4014010107	Screw gb70.1-m10*1.25*20flznyc-10.9-480	Y	2	
12	4015010339	Washer gb97.1-10flznyc-300hv-480	Y	2	
13	25010018832	Weldment, air cleaner bracket	Y	1	
14	25010018812	Weldment, bracket plate weldment, for fixing air cleaner bracket	Y	1	
15	4011010708	Bolt gb5783-m8*30flznyc-8.8-480	Y	2	

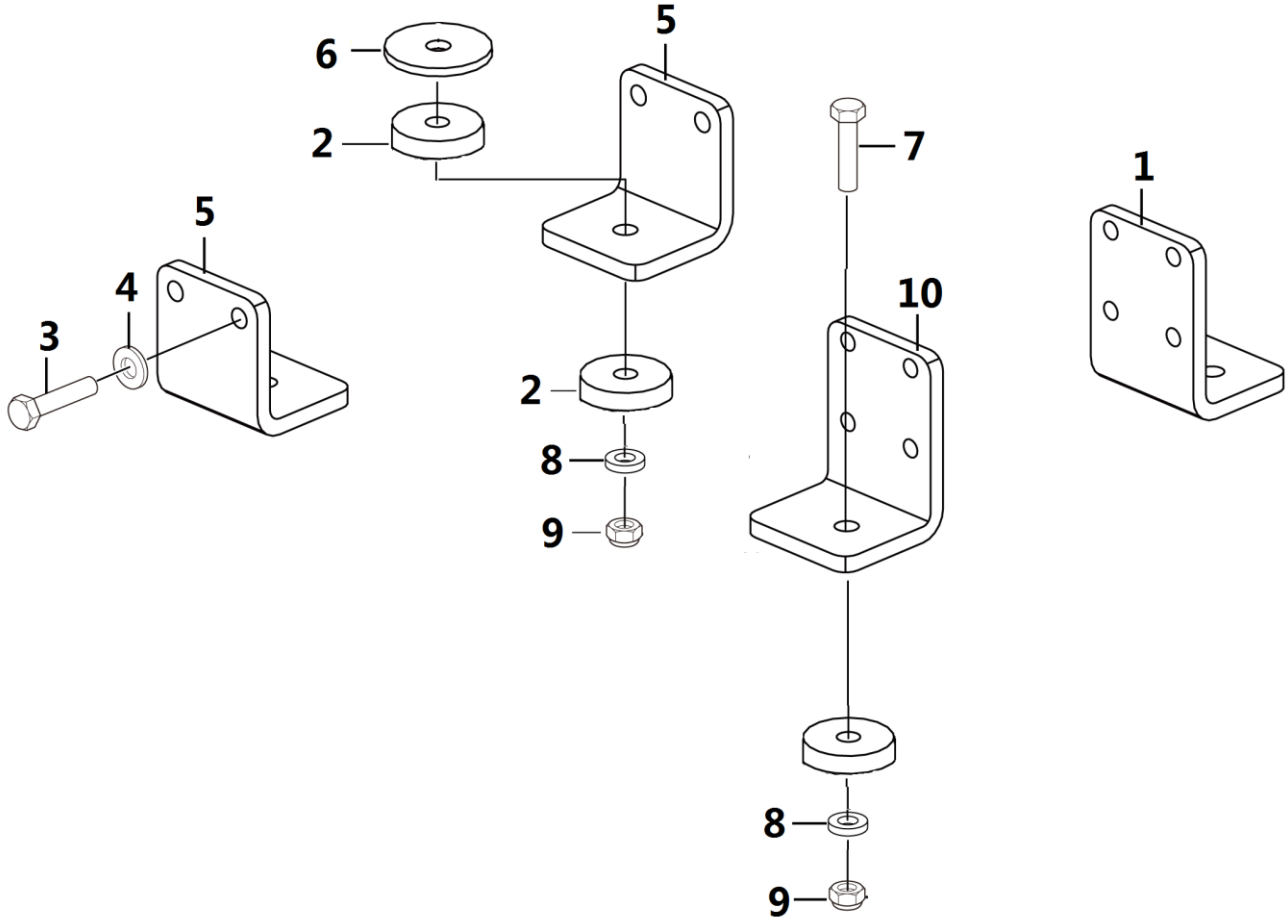
Air cleaner



Key	Part No.	Description	Spare parts Y/N	Qty	Remarks
1	4110001740001	Air cleaner element rs3715	Y	1	
2	4110001740002	Blockage alarm sensor kbz-62-03	N	1	
3	4110001740003	Housing hsg3077a-1000	N	1	
4	4110001740004	Clamp hsg3077a-3000	N	1	
5	4110001740005	Rear cover hsg3077a-2000	N	1	
6	4110001740006	Dust discharge valve hsg3062-0003	N	1	

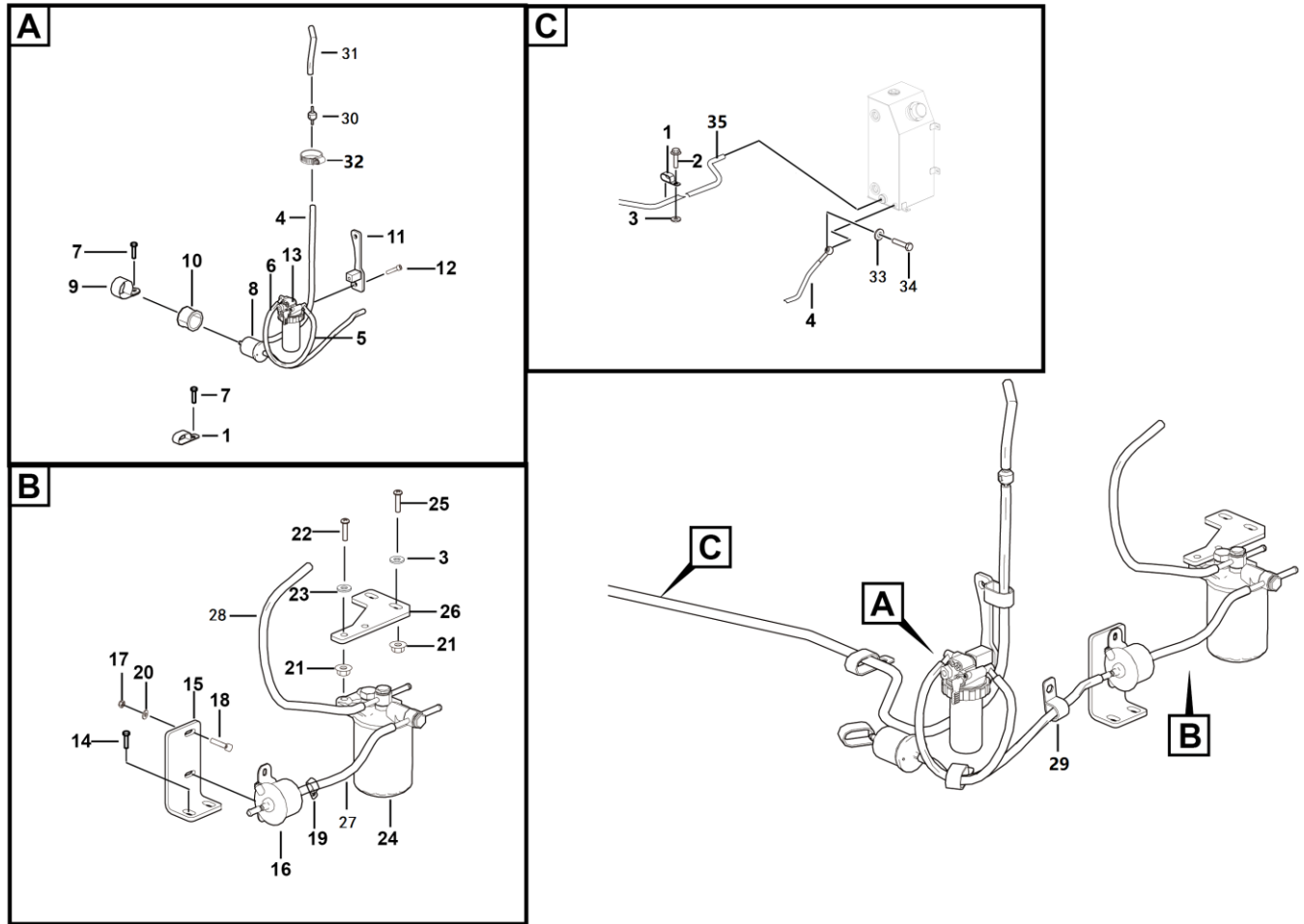


Engine mount system



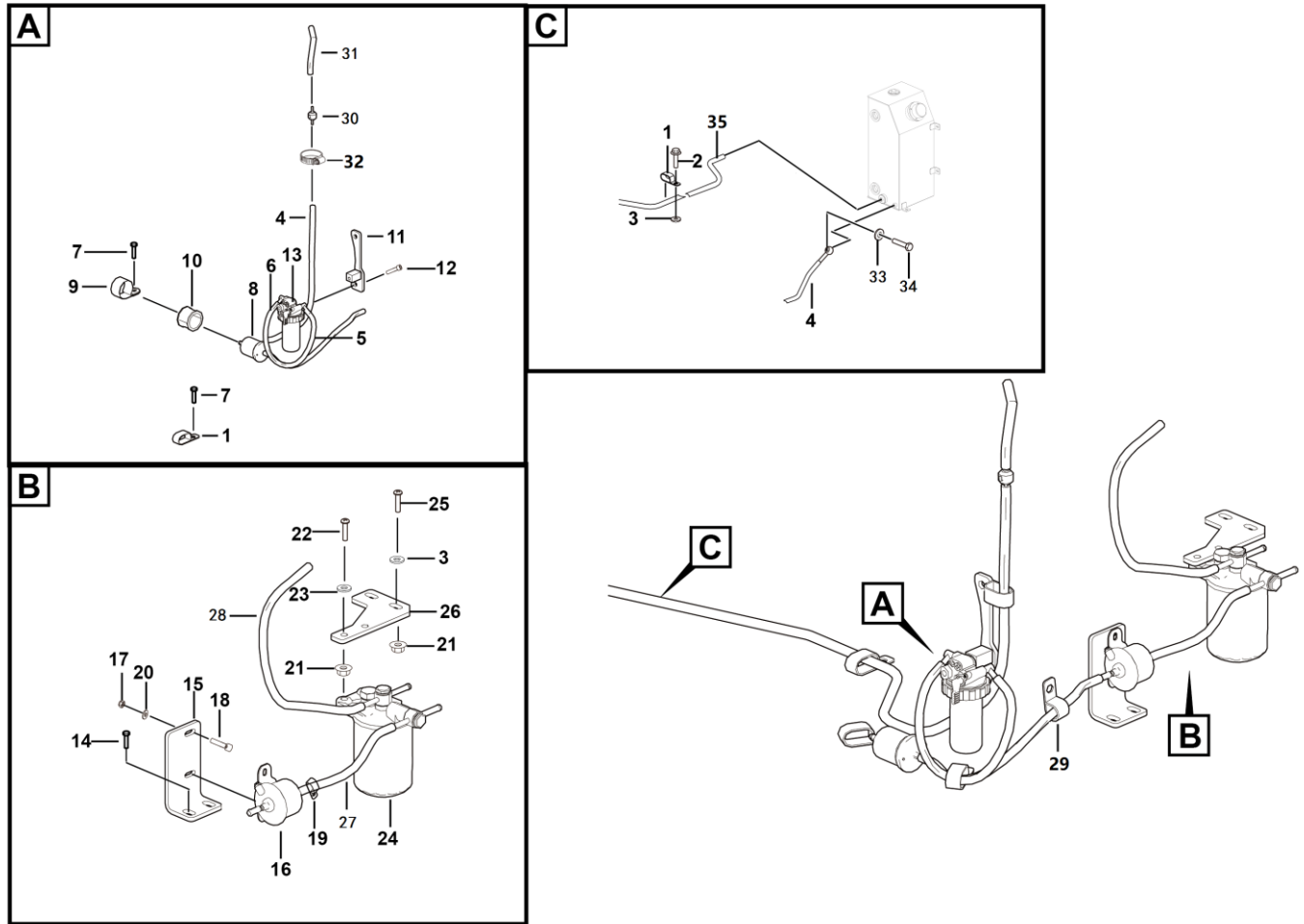
Key	Part No.	Description	Spare parts Y/N	Qty	Remarks
1	25010018752	Weldment, left front engine outrigger	Y	1	
2	4110703148	Vibration isolator mds55-45	Y	8	
3	4011010714	Bolt gb5783-m10*1.25*25flznyc-8.8-480	Y	12	
4	4015010339	Washer gb97.1-10flznyc-300hv-480	Y	12	
5	25010018732	Weldment, rear engine outrigger	Y	2	
6	25010018691	Vibration isolator gasket	Y	4	
7	4011011162	Bolt gb16674-m12*95flznyc-8.8-480	Y	4	
8	4015010340	Washer gb97.1-12flznyc-300hv-480	Y	4	
9	4013010301	Nut gb889.1-m12flznyc-8-480	Y	4	
10	25010018772	Weldment, right front engine outrigger	Y	1	

Engine fuel system



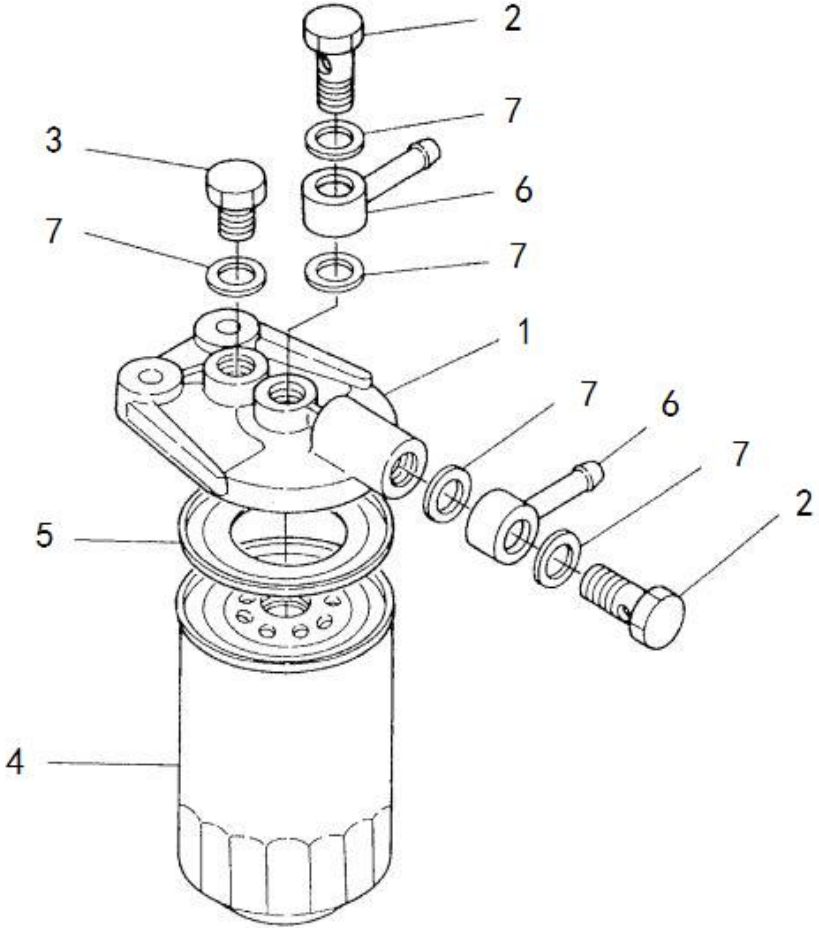
Key	Part No.	Description	Spare parts Y/N	Qty	Remarks
1	4041010653	Clamp	N	2	
2	4011010746	Bolt gb5783-m8*12flznyc-8.8-480	Y	1	
3	4015010289	Washer gb96.1-8flznyc-480	Y	5	
4	4049010159	Tube lzb103-d5*2100-p	Y	1	
5	4049010126	Fuel pipe lzb103-8*250-p, fuel pump to fuel filter element	Y	1	
6	4049010129	Fuel pipe lzb103-8*550-p, fuel filter to fuel pump	Y	1	
7	4011011088	Bolt gb16674-m10*16flznyc-8.8-480	Y	3	
8	4110001806	Primary filter 12581-43012	Y	1	
9	4041000868	Pipe clamp lgb167-0740, for fixing fuel pipe lzb103-8*550-p	Y	1	
10	4041000869	Buffer sleeve lgb123-0740, for fixing fuel pipe	Y	1	
11	25010020601	Weldment, water separator bracket weldment	Y	1	
12	4011011077	Bolt gb16674-m8*70flznyc-8.8-480	Y	1	
13	4110001810	Water separator 1g311-43354	Y	1	
14	4011010993	Bolt gb16674-m10*20flznyc-8.8-480	Y	2	
15	25010021091	Forming (stamping, etc.), electronic pump bracket	Y	1	
16	4110702646	Electronic fuel pump 1g377-52031	Y	1	
17	4013010300	Nut gb889.1-m6flznyc-8-480	Y	2	
18	4011010992	Bolt gb16674-m6*25flznyc-8.8	Y	2	
19	4190000343	Hose clamp jb8870-d16	Y	9	
20	4015010296	Washer gb96.1-6flznyc-480	Y	2	
21	4013010297	Nut gb889.1-m8flznyc-8-480	Y	4	
22	4011011020	Bolt gb16674-m8*35flznyc-8.8-480	Y	2	

Engine fuel system



Key	Part No.	Description	Spare parts Y/N	Qty	Remarks
23	4015010280	Washer gb97.1-8flznyc-480	Y	2	
24	4110702645	Fuel filter 19077-43012	Y	1	
25	4011010708	Bolt gb5783-m8*30flznyc-8.8-480	Y	2	
26	25010020621	Secondary filter bracket, for fixing filter	Y	1	
27	4049010126	Fuel pipe lzb103-8*250-p, fuel pump to fuel filter element	Y	1	
28	4049010132	Fuel pipe lzb103-8*450-p, fuel filter element to engine	Y	1	
29	4041010363	Pipe clamp lgb169-a20*12.5, fuel pipe	Y	3	
30	4110702373	Check valve 1c010-4246-1	Y	1	
31	4049010117	Tube lzb103-5*200	Y	1	
32	4017000040	Hose clamp jb8870-d12	Y	3	
33	4015000121	Washer jb982-14	Y	4	
34	4011011113	Bolt jb999-m14*1.5*32flznyc-8.8-480	Y	2	
35	4049010164	Tube lzb103-d8*1600-p	Y	1	

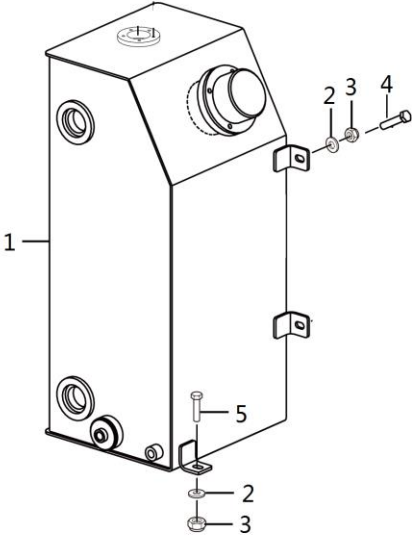
Fuel filter 19077-43012



Key	Part No.	Description	Spare parts Y/N	Qty	Remarks
1	4110702631023	Cover plate 16551-43210	Y	1	
2	4110702631024	Joint bolt 16541-95790	Y	2	
3	4110702631025	Plug 19077-43280	Y	1	
4	4110001809001	Fuel filter element hh166-43560	Y	1	
5	4110702631026	Gasket 16541-43330	Y	1	
6	4110702631027	Connector 19077-43610	Y	2	
7	4110702631028	Gasket 17105-33680	Y	5	



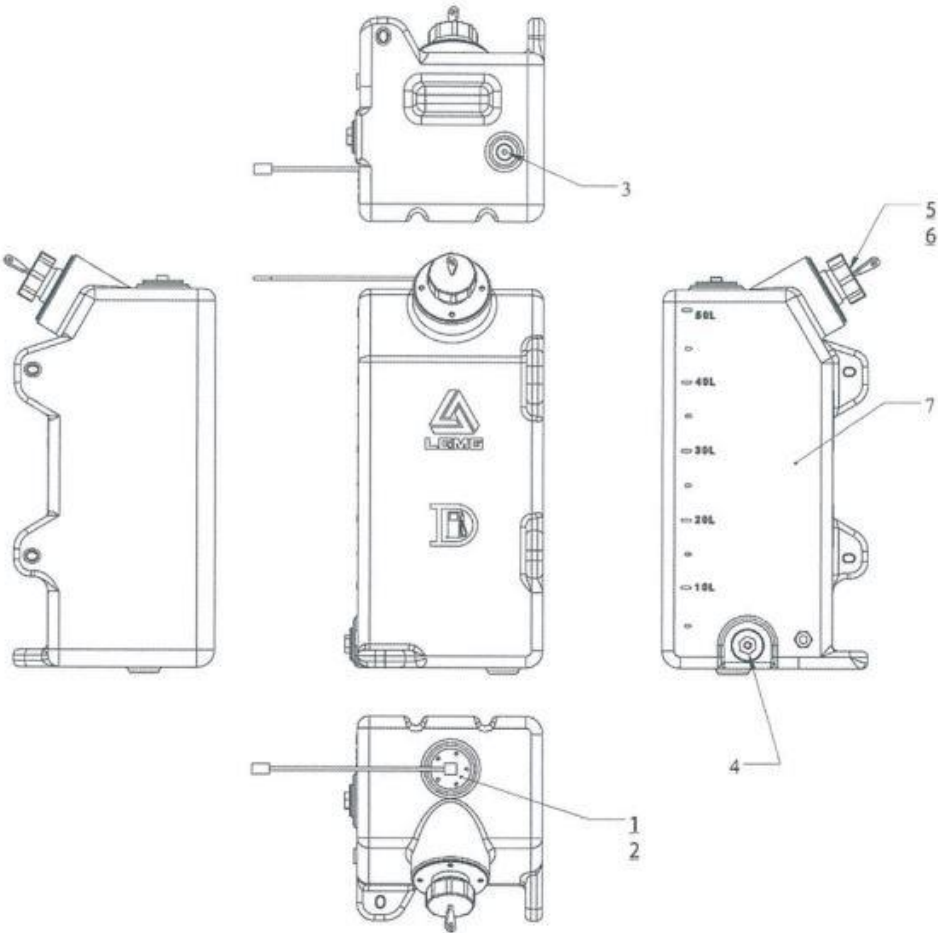
Fuel tank assembly



Key	Part No.	Description	Spare parts Y/N	Qty	Remarks
1	4110703150	Rotational molded fuel tank assembly lg02-ryx-002	Y	1	
2	4015010278	Washer gb96.1-10flznyc-480	Y	6	
3	4013010296	Nut gb889.1-m10flznyc-8	Y	3	
4	4011010952	Bolt gb5783-m10*55flznyc-8.8-480	Y	2	
5	4011010729	Bolt gb5782-m10*65flznyc-8.8-480	Y	1	



Rotational molded fuel tank assembly Ig02-ryx-002

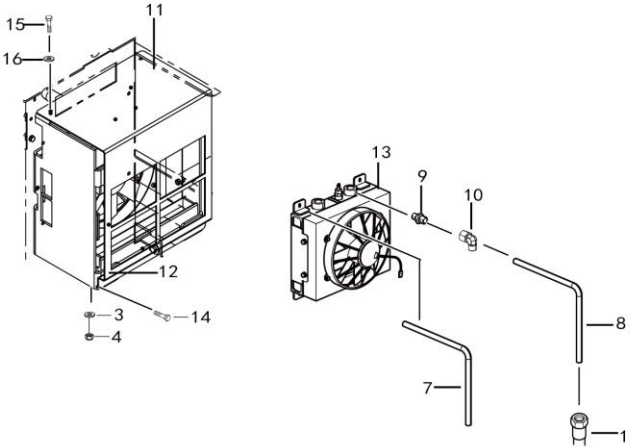
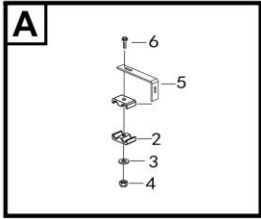


Key	Part No.	Description	Spare parts Y/N	Qty	Remarks
1	4110703150001	Fuel level sensor 4110703150001	Y	1	
2	4110703110001	M5*16 hexagon screw with flat & rebound washers	Y	1	
3	4190704390002	Drain plug 2721001	Y	1	
4	4190704390007	Suction filter element 2842001	Y	1	
5	4190704390004	Tank cap assembly 4110002050	Y	1	
6	4110703110002	M8*16 hexagon screw with flat washer	Y	1	
7	4110703150002	Fuel tank body 4110703150 rotational molded fuel tank body	Y	1	





Hydraulic oil radiator assembly



A0300-2503000036.S

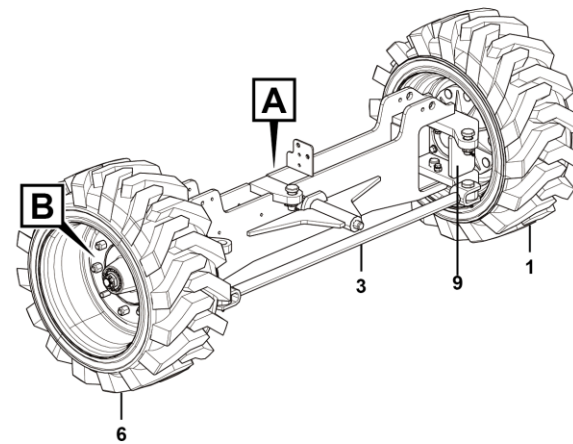
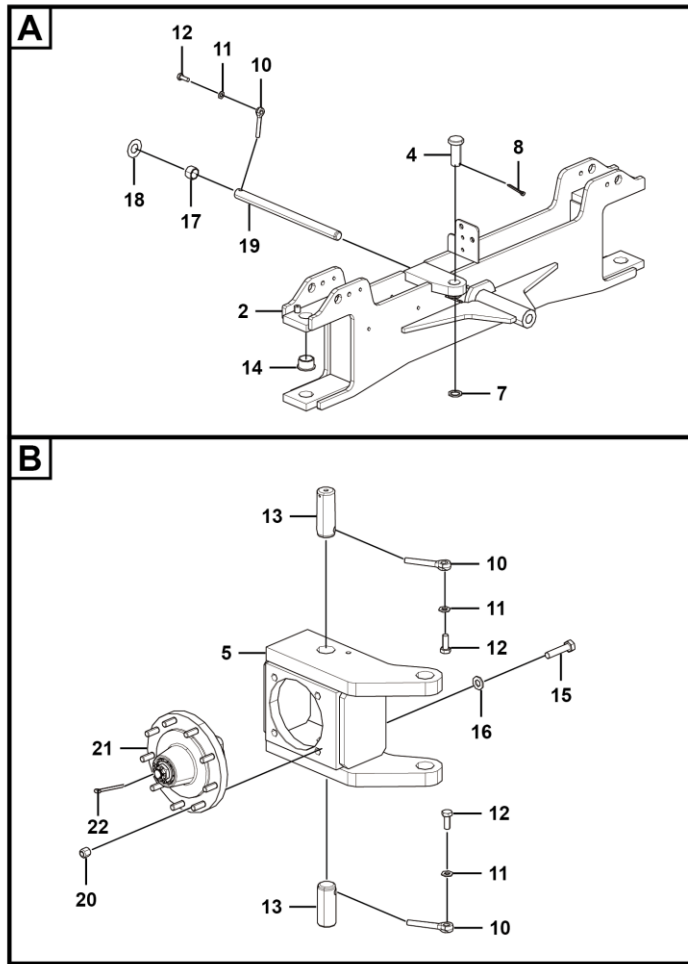
Key	Part No.	Description	Spare parts Y/N	Qty	Remarks
1	4120706644	Hose 20411-36-16*20491-36-16*osd150-16*600, radiator oil inlet-lift control valve	Y	1	
2	4120706646	Duplex double-hole pipe clamp sxt*g16-430 (m8*70)	Y	1	
3	4015010280	Washer gb97.1-8flznyc-480	Y	7	
4	4013010297	Nut gb889.1-m8flznyc-8-480	Y	11	
5	25030000311	Forming (stamping, etc.), pipe clamp mounting plate	Y	1	
6	4011011017	Bolt gb16674-m8*30flznyc-8.8-480	Y	6	
7	25030000331	Oil return tube assembly, radiator oil return port-hose	Y	1	
8	25030000351	Oil inlet tube assembly, radiator oil inlet-hose	Y	1	
9	4120704907	Fitting ge28lr3/4edomdcf	Y	2	
10	4120000534	Transition fitting ew28lomda3c	Y	2	
11	25030000451	Weldment, bracket plate weldment	Y	1	
12	25030000471	Weldment, cover plate weldment, for protecting radiator	Y	1	
13	4120704832	Hydraulic oil radiator m9115052	Y	1	
14	4011010708	Bolt gb5783-m8*30flznyc-8.8-480	Y	4	
15	4011010743	Bolt gb5783-m8*25flznyc-8.8-480	Y	2	
16	4015010289	Washer gb96.1-8flznyc-480	Y	10	

B
AXLE SYSTEM



LINGONG GROUP JINAN HEAVY MACHINERY CO., LTD.

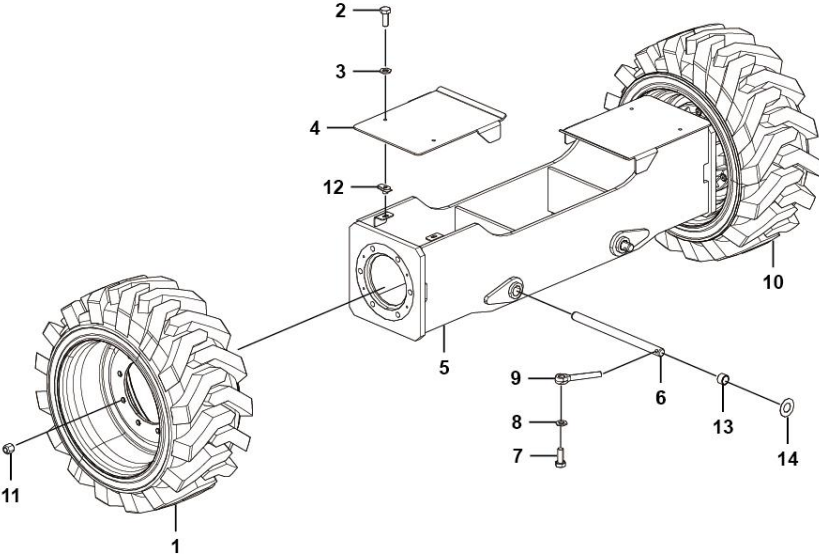
Front axle assembly



B0400-2504000368.S1a

Key	Part No.	Description	Spare parts Y/N	Qty	Remarks
1	4110702707	Tyre	Y	1	
2	25040003631	Weldment, front axle weldment	N	1	
3	25040005141	Steering lever	Y	1	
4	25040000311	Tie rod pin, $\phi 25.4 \times 70$	Y	4	
5	25040005181	Left knuckle	Y	1	
6	4110702705	Tyre	Y	1	
7	25040000291	Washer, $36 \times 25.4 \times 3$	Y	4	
8	4016010133	Cotter pin gb91-5*40flznyc--480-q235a	Y	4	
9	25040005201	Right knuckle	Y	1	
10	25200006221	Pin, 10×58.5	Y	5	
11	4015010279	Washer gb97.1-10flznyc-480	Y	5	
12	4011010722	Bolt gb5783-m10*25flznyc-8.8-480	Y	5	
13	25040003701	Shaft $\phi 31.5 \times 70$, for fixing knuckle	Y	4	
14	25040001521	Shaft sleeve, $\phi 44.45$, for protecting shaft	Y	4	
15	4011010640	Bolt gb5786-m16*1.5*55flznyc-12.9-480	Y	18	
16	4015010342	Washer gb97.1-16flznyc-300hv-480	Y	18	
17	25040000691	Cylinder sleeve, 25.4×20	Y	6	
18	25040001541	Shim washer, $50 \times 25.5 \times 1$	Y	2	
19	25040001491	Shaft 25.4×370	Y	1	
20	25050000401	Tapered hexagon nut m16x1.5	Y	18	
21	25040003672	Transition plate, for connecting tire and hub	N	2	
22	4016010143	Cotter pin gb91-4*70flznyc-480-q235a	Y	2	

Rear axle assembly



B0500-2505000218.S

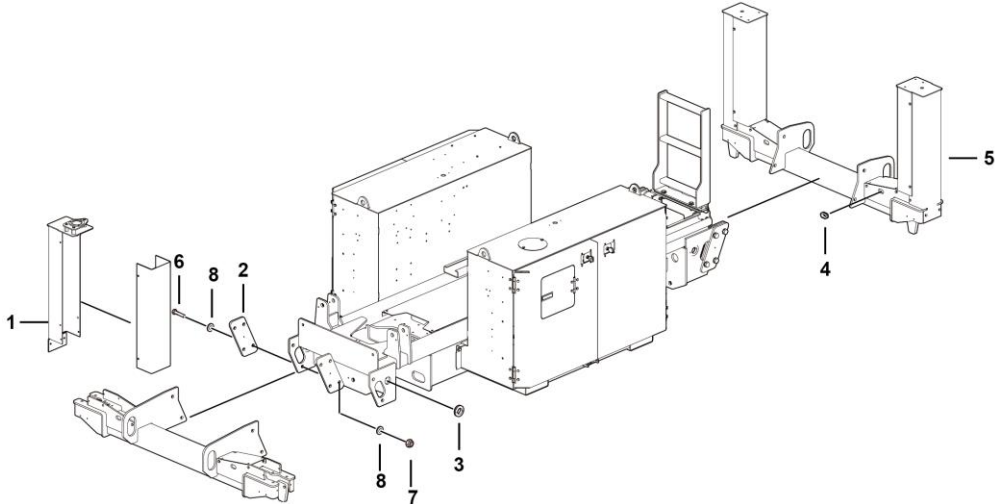
Key	Part No.	Description	Spare parts Y/N	Qty	Remarks
1	4110702705	Tyre	Y	1	
2	4011000106	Bolt gb5783-m8*25epzn-8.8	Y	4	
3	4015000072	Washer gb97.1-8epzn-300hv	Y	4	
4	25050001212	Forming (stamping, etc.), rear axle cover plate	Y	2	
5	25050002173	Rear axle weldment	N	1	
6	25040001491	Shaft 25.4*370	Y	2	
7	4011000082	Bolt gb5783-m10*25epzn-8.8	Y	2	
8	4015000162	Washer gb97.1-10epzn-300hv	Y	2	
9	25200006221	Pin, 10*58.5	Y	2	
10	4110702707	Tyre	Y	1	
11	25050000661	Tapered hexagon nut 5/8-18unf	Y	18	
12	4014010053	Reed nut qc339-m8epzn-8	Y	4	
13	25040000691	Cylinder sleeve, 25.4*20	Y	4	
14	25040001541	Shim washer, 50*25.5*1	Y	4	

D
CHASSIS SYSTEM



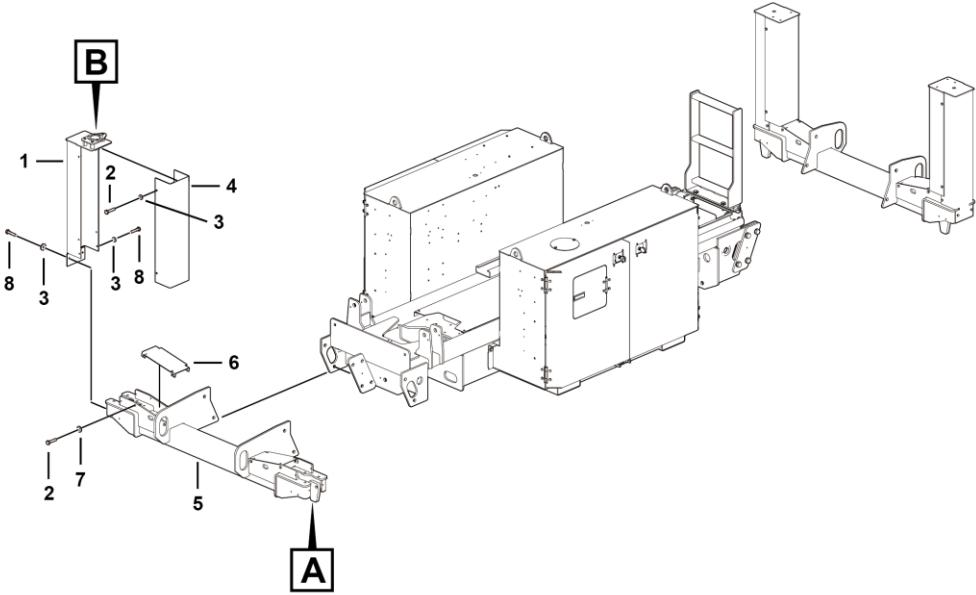
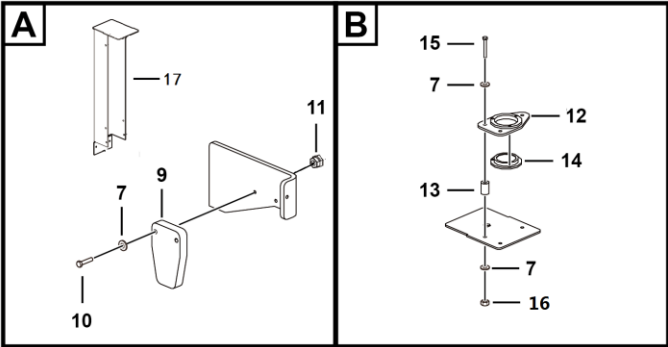
LINGONG GROUP JINAN HEAVY MACHINERY CO., LTD.

Bracket



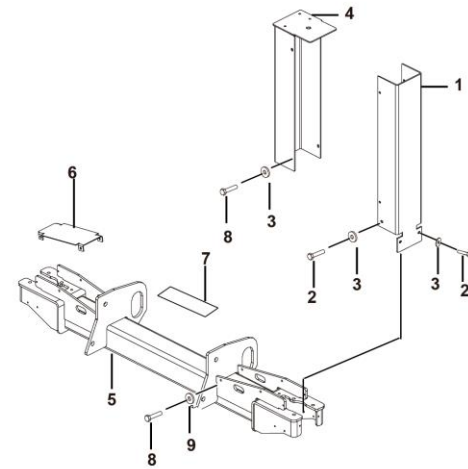
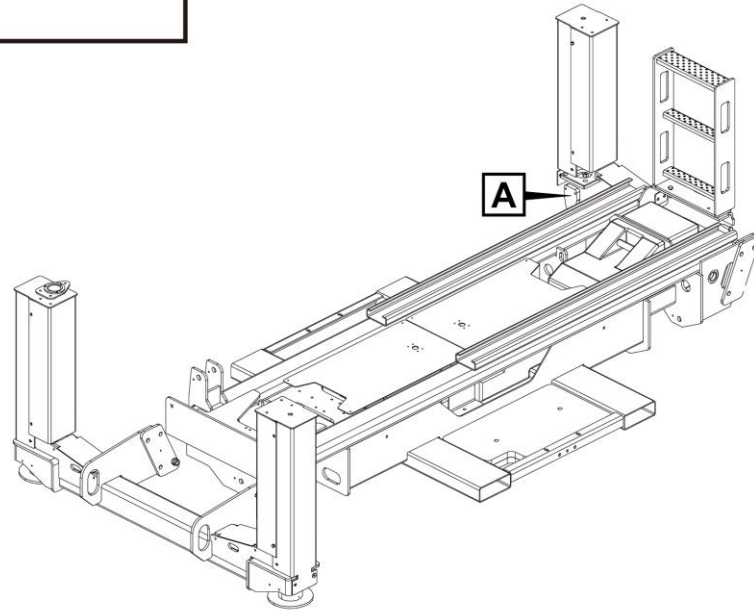
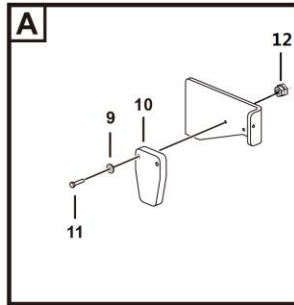
Key	Part No.	Description	Spare parts Y/N	Qty	Remarks
1	25140000791	Front outrigger assembly	N	1	
2	25140000581	Forming (stamping, etc.), connecting plate, for connecting front outrigger mechanism	Y	8	
3	25140000731	Rubber gromet, 42*7	Y	6	
4	25140001401	Rubber gromet, 35*65*10	Y	4	
5	25140000801	Rear outrigger assembly	N	1	
6	4011011221	Bolt gb5783-m20*70flznyc-10.9-480	Y	16	
7	4013010401	Nut gb889.1-m20flznyc-10-480	Y	16	
8	4015010338	Washer gb97.1-20flznyc-300hv-480	Y	32	

Front outrigger assembly



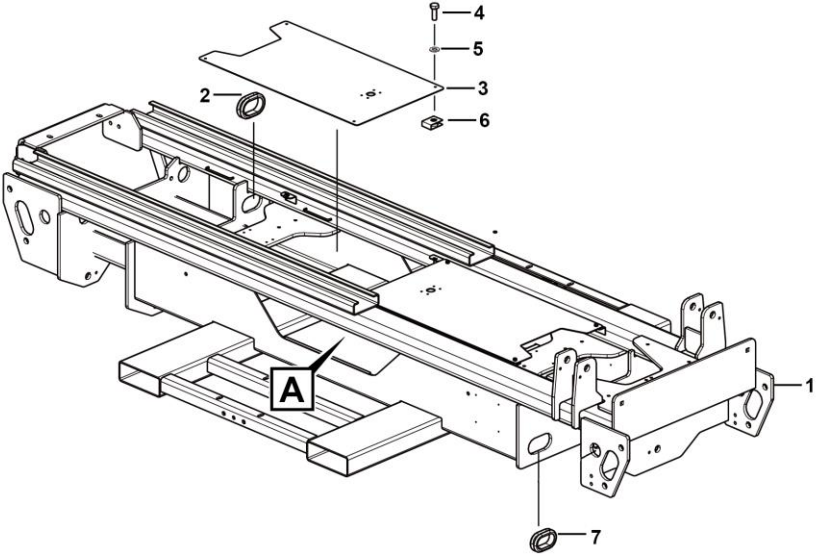
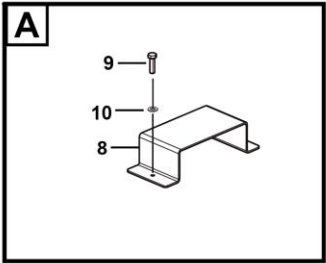
Key	Part No.	Description	Spare parts Y/N	Qty	Remarks
1	25140000741	Weldment, housing weldment, left front outrigger cylinder	Y	1	
2	4011010743	Bolt gb5783-m8*25flznyc-8.8-480	Y	16	
3	4015010289	Washer gb96.1-8flznyc-480	Y	16	
4	25140000662	Forming (stamping, etc.), guard plate, for protecting front outrigger cylinder	Y	2	
5	25140000753	Weldment, front outrigger weldment	Y	1	
6	25140000782	Weldment, cover plate weldment, non-skid limit switch	Y	2	
7	4015010280	Washer gb97.1-8flznyc-480	Y	22	
8	4011010711	Bolt gb5783-m8*20flznyc-8.8-480	Y	8	
9	25140000722	Stop block, outrigger	Y	2	
10	4011010753	Bolt gb5783-m8*45flznyc-8.8-480	Y	4	
11	4013010297	Nut gb889.1-m8flznyc-8-480	Y	4	
12	25140002431	Weldment, mounting plate weldment, bubble level	Y	1	
13	25140000441	Cushion block, outrigger	Y	3	
14	4190704401	Bubble level spy-9415	Y	1	
15	4011010975	Bolt gb5783-m8*60flznyc-8.8-480	Y	3	
16	4013010314	Nut gb6185-m8flznyc-8	Y	3	
17	25140004211	Weldment, housing weldment, right front outrigger cylinder	Y	1	

Assembly



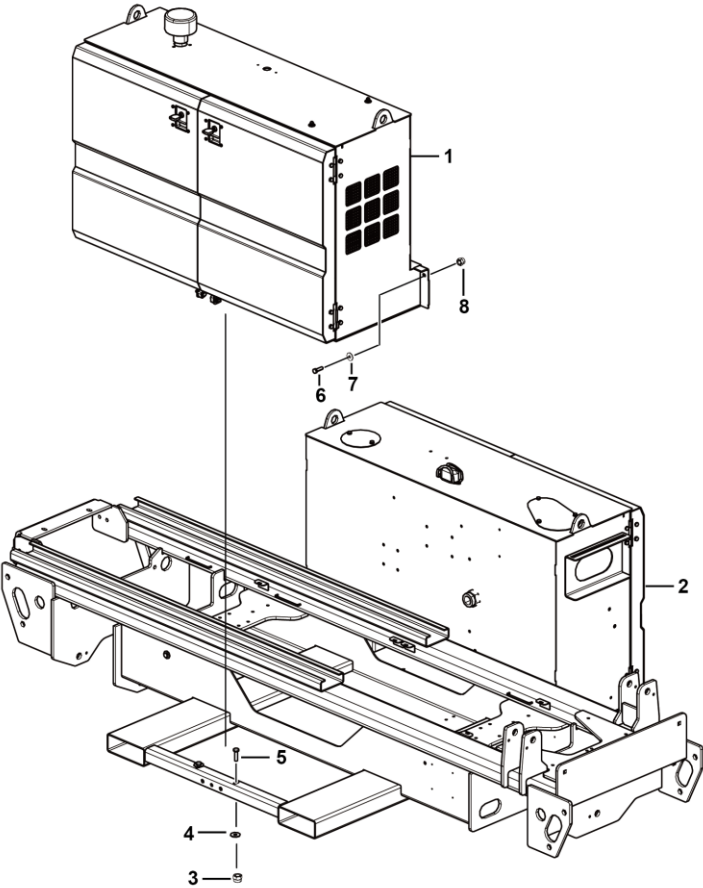
Key	Part No.	Description	Spare parts Y/N	Qty	Remarks
1	25140004211	Weldment, housing weldment, right front outrigger cylinder	Y	2	
2	4011010711	Bolt gb5783-m8*20flznyc-8.8-480	Y	8	
3	4015010289	Washer gb96.1-8flznyc-480	Y	16	
4	25140000662	Forming (stamping, etc.), guard plate, for protecting front outrigger cylinder	Y	2	
5	25140000762	Weldment, rear outrigger weldment	Y	1	
6	25140000782	Weldment, cover plate weldment, non-skid limit switch	Y	2	
7	25140000821	Non-skid decal, outrigger	Y	1	
8	4011010743	Bolt gb5783-m8*25flznyc-8.8-480	Y	16	
9	4015010280	Washer gb97.1-8flznyc-480	Y	16	
10	25140000722	Stop block, outrigger	Y	2	
11	4011010753	Bolt gb5783-m8*45flznyc-8.8-480	Y	4	
12	4013010297	Nut gb889.1-m8flznyc-8-480	Y	4	

Chassis assembly



Key	Part No.	Description	Spare parts Y/N	Qty	Remarks
1	25160020958	Weldment,chassis weldment	Y	1	
2	25160010151	Rubber gromet. 40*52*14	Y	2	
3	25160005341	Chassis cover plate	N	2	
4	4011010747	Bolt gb5783-m6*16flznyc-8.8-480	Y	8	
5	4015010284	Washer gb97.1-6flznyc-480	Y	8	
6	4013010303	Reed nut qc339-m6flznyc-8-480	Y	8	
7	25160014691	Rubber gromet. 40*42*14	Y	2	
8	25160031051	Fixed plate	Y	1	
9	4011010978	Bolt gb5783-m12*30flznyc-8.8-480	Y	2	
10	4015010286	Washer gb96.1-12flznyc-480	Y	2	

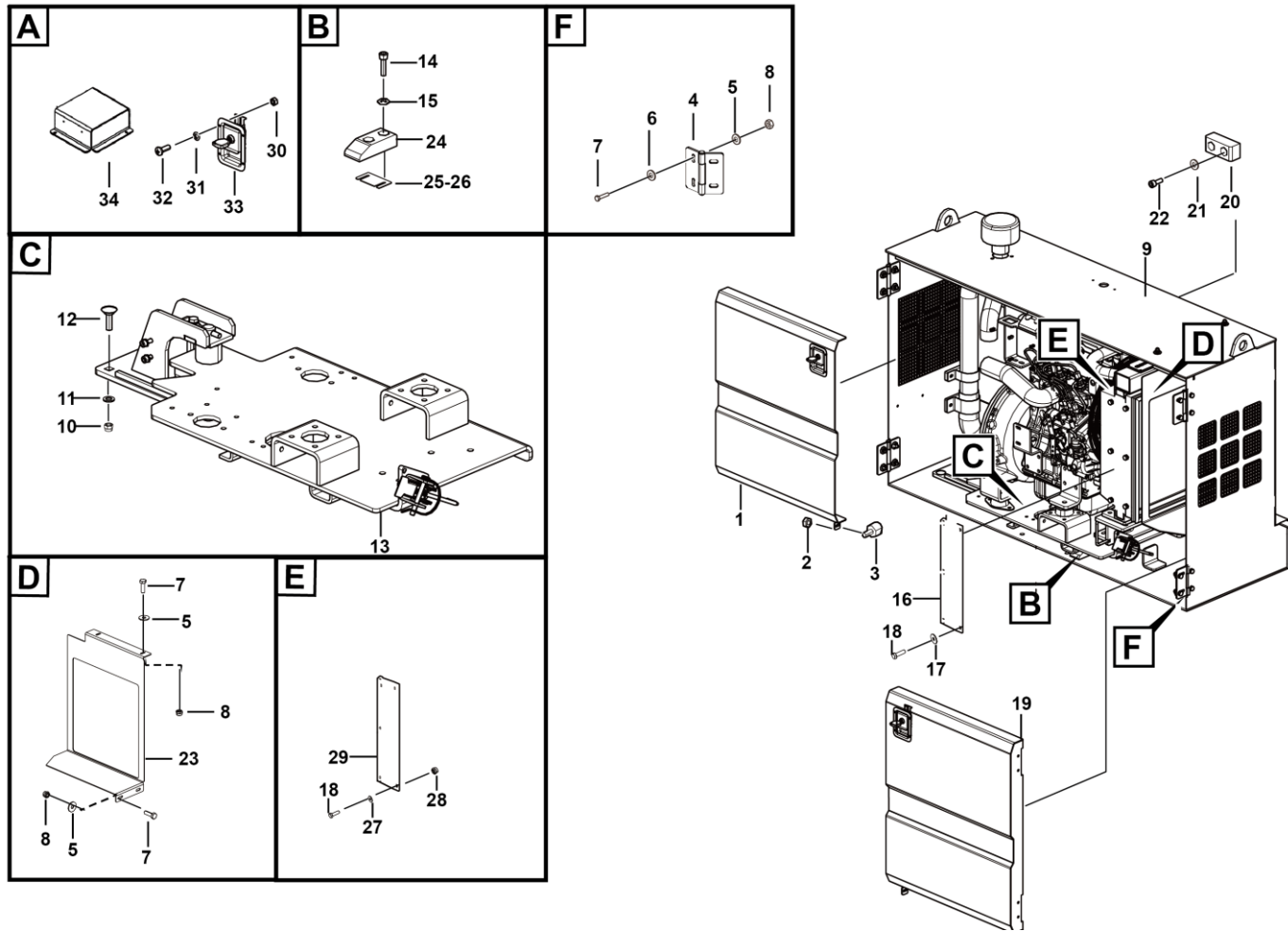
Engine oil tank side



D0800-2518001495.S1a

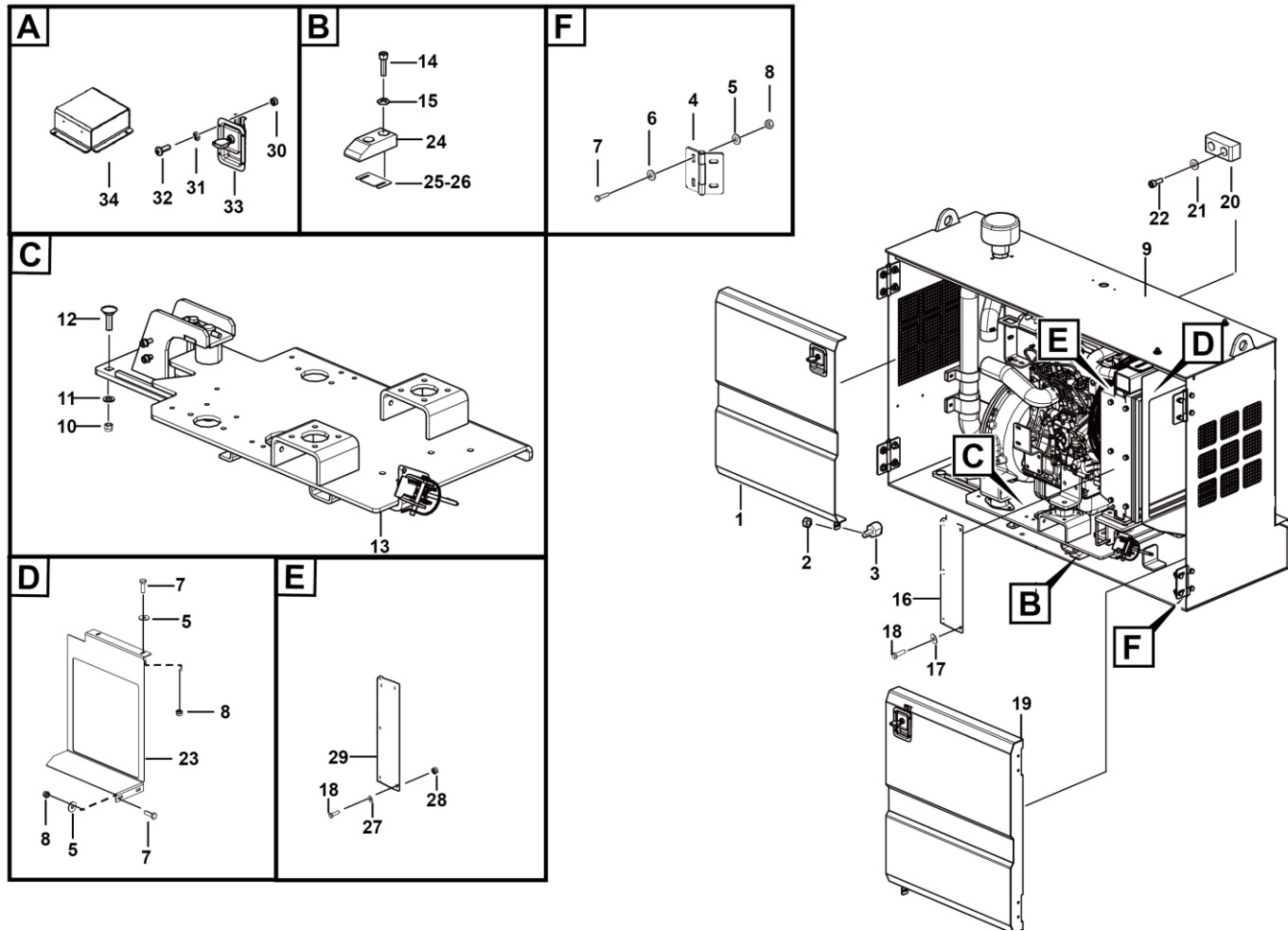
Key	Part No.	Description	Spare parts Y/N	Qty	Remarks
1	25180014841	Engine case side	N	1	
2	25180014911	Tank side	N	1	
3	4013010301	Nut gb889.1-m12flznyc-8-480	Y	8	
4	4015010286	Washer gb96.1-12flznyc-480	Y	16	
5	4011010979	Bolt gb5783-m12*40flznyc-8.8-480	Y	8	
6	4011010727	Bolt gb5783-m10*35flznyc-8.8-480	Y	4	
7	4015010278	Washer gb96.1-10flznyc-480	Y	8	
8	4013010296	Nut gb889.1-m10flznyc-8	Y	4	

Engine box assemble



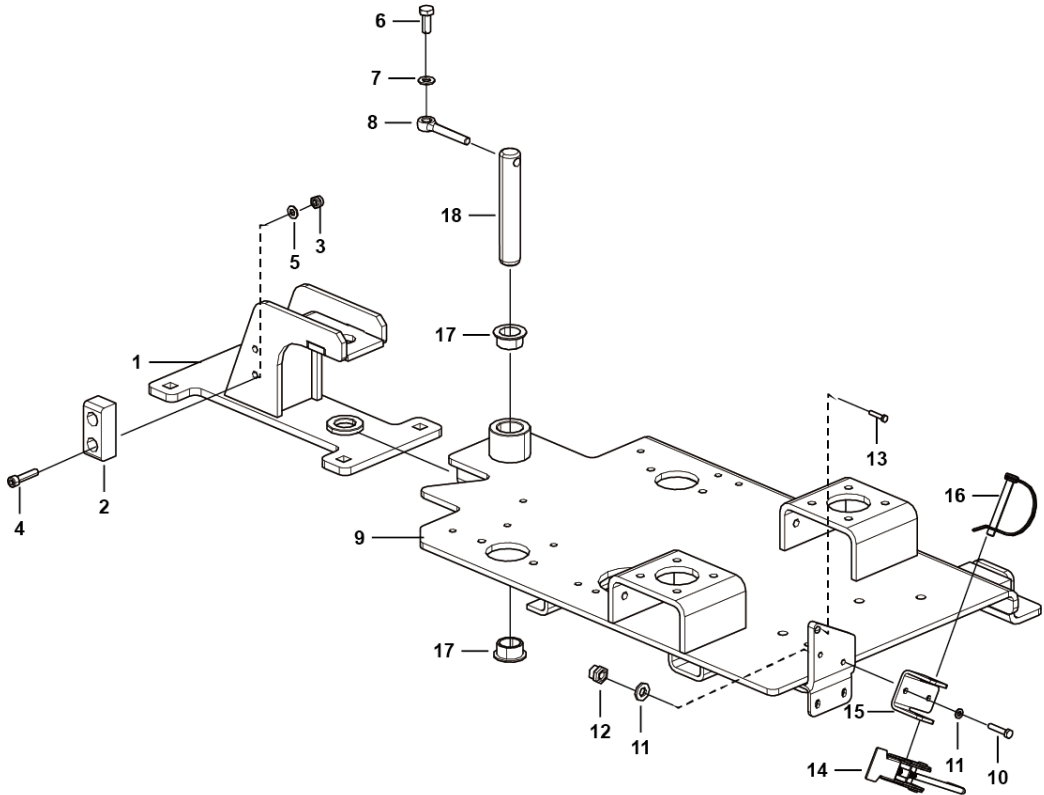
Key	Part No.	Description	Spare parts Y/N	Qty	Remarks
1	25180016894	Weldment, left door weldment, battery side	Y	1	
2	4013010289	Nut gb6170-m10flznyc-8-480	Y	4	
3	25180013131	Stop block, battery side, left door	Y	4	
4	25180007361	Hinge, 106*95.4*5	Y	4	
5	4015010289	Washer gb96.1-8flznyc-480	Y	24	
6	4015010280	Washer gb97.1-8flznyc-480	Y	18	
7	4011010743	Bolt gb5783-m8*25flznyc-8.8-480	Y	20	
8	4013010297	Nut gb889.1-m8flznyc-8-480	Y	20	
9	25180014823	Weldment,engine case weldment	Y	1	
10	4013010301	Nut gb889.1-m12flznyc-8-480	Y	4	
11	4015010286	Washer gb96.1-12flznyc-480	Y	4	
12	4011010778	Bolt gb14-m12*45flznyc-8.8	Y	4	
13	25180007771	Engine tray	N	1	
14	4014010441	Screw gb70.1-m10*30flznyc-8.8-480	Y	4	
15	4015010339	Washer gb97.1-10flznyc-300hv-480	Y	4	
16	25180018092	Heat insulation foam, radiator	Y	1	
17	4015010296	Washer gb96.1-6flznyc-480	Y	5	
18	4011010744	Bolt gb5783-m6*20flznyc-8.8-480	Y	7	
19	25180018633	Weldment,rightdoor,engine side	Y	1	
20	25180007931	Stop block, engine	Y	1	
21	25010012251	Shim, for gap adjustment	Y	1	
22	4014010246	Screw gb70.1-m8*20flznyc-8.8-480	Y	2	

Engine box assemble



Key	Part No.	Description	Spare parts Y/N	Qty	Remarks
23	25180018082	Weldment, baffle weldment	Y	1	
24	25180007952	Tray pad	Y	2	
25	25010012231	Shim, for gap adjustment	Y	2	
26	25010012241	Shim, for gap adjustment	Y	2	
27	4015010284	Washer gb97.1-6flznyc-480	Y	4	
28	4013010300	Nut gb889.1-m6flznyc-8-480	Y	2	
29	25180018581	Weldment, baffle, engine case side	Y	1	
30	4013010298	Nut gb6170-m5flznyc-8-480	Y	10	
31	4015010283	Washer gb97.1-5flznyc-480	Y	10	
32	4014010108	Screw gb818-m5*14flznyc-4.8-480	Y	10	
33	4190001576	Latch ms866-27, left/right door	Y	2	
34	25180018611	Weldment,heat insulation box, engine case side	Y	1	

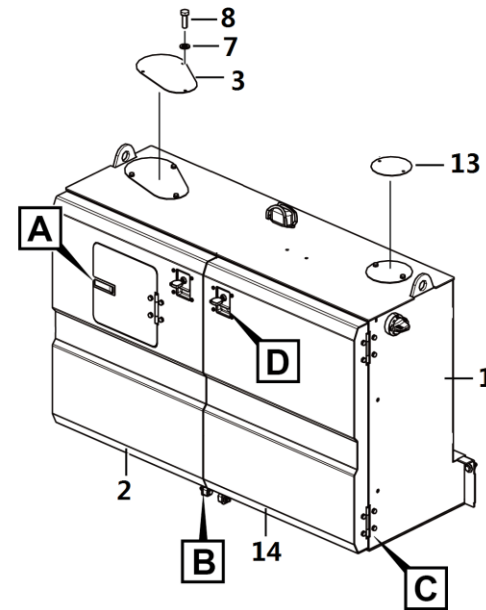
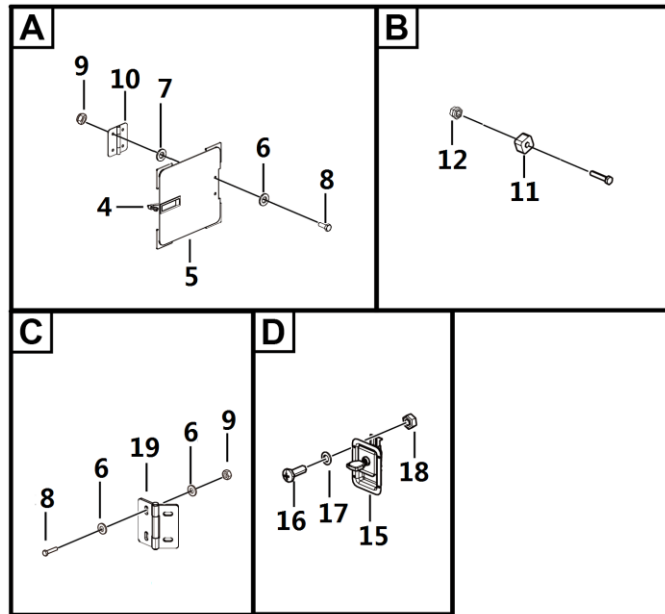
Engine tray



D0800-2518000777.S

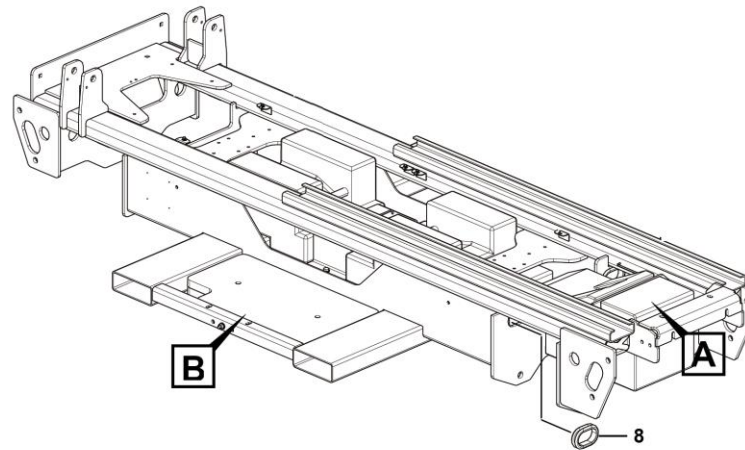
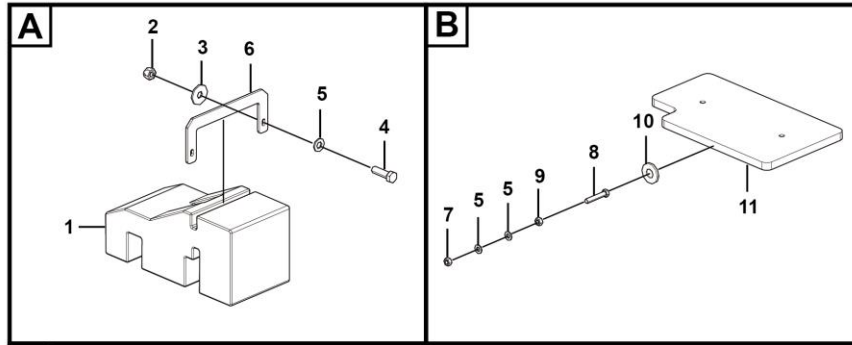
Key	Part No.	Description	Spare parts Y/N	Qty	Remarks
1	25180007783	Weldment, engine rotary base weldment	N	1	
2	25180007931	Stop block, engine	Y	1	
3	4013000210	Nut gb889.1-m8epzn-8	Y	2	
4	4014000116	Screw gb70.1-m8*35epzn-8.8	Y	2	
5	4015000072	Washer gb97.1-8epzn-300hv	Y	4	
6	4011000082	Bolt gb5783-m10*25epzn-8.8	Y	1	
7	4015000162	Washer gb97.1-10epzn-300hv	Y	1	
8	25200006221	Pin, 10*58.5	Y	1	
9	25180007835	Weldment, engine tray weldment	N	1	
10	4011000291	Bolt gb5783-m6*30epzn-8.8	Y	2	
11	4015000207	Washer gb97.1-6epzn-300hv	Y	4	
12	4013000211	Nut gb889.1-m6epzn-8	Y	2	
13	4019010209	Break mandrel blind rivet gb12619-5*9	Y	1	
14	4190704342	Latch hc-a01, tray	Y	1	
15	25180007941	U-plate, engine tray	N	1	
16	4190703890	D-pin 8*65 with 200mm chain and steel sheet	Y	1	
17	25180007981	Shaft sleeve, ϕ 40	N	2	
18	25180007971	Shaft ϕ 25-147	N	1	

Tank side



Key	Part No.	Description	Spare parts Y/N	Qty	Remarks
1	25180014904	Weldment,tank side weldment	Y	1	
2	25180016914	Weldment, tank flap weldment	Y	1	
3	25180008231	Cover plate, forming (stamping, etc.), for protecting hydraulic tank	Y	1	
4	4190001520	Latch ms719-1ca, tank flap	Y	1	
5	25180000902	Small door, forming (stamping, etc.), for protecting ground controller	Y	1	
6	4015010289	Washer gb96.1-8flznyc-480	Y	21	
7	4015010280	Washer gb97.1-8flznyc-480	Y	30	
8	4011010743	Bolt gb5783-m8*25flznyc-8.8-480	Y	25	
9	4013010297	Nut gb889.1-m8flznyc-8-480	Y	25	
10	4190001521	Hinge cl253-27	Y	1	
11	25180013131	Stop block, battery side, left door	Y	4	
12	4013010289	Nut gb6170-m10flznyc-8-480	Y	4	
13	25180008241	Cover plate, forming (stamping, etc.), for protecting hydraulic tank	N	1	
14	25180016904	Weldment, right door weldment	Y	1	
15	4190001576	Latch ms866-27, left/right door	Y	2	
16	4014010108	Screw gb818-m5*14flznyc-4.8-480	Y	8	
17	4015010283	Washer gb97.1-5flznyc-480	Y	8	
18	4013010298	Nut gb6170-m5flznyc-8-480	Y	8	
19	25180007361	Hinge, 106*95.4*5	Y	4	

Counterweight assembly



D2800-2528000246.S

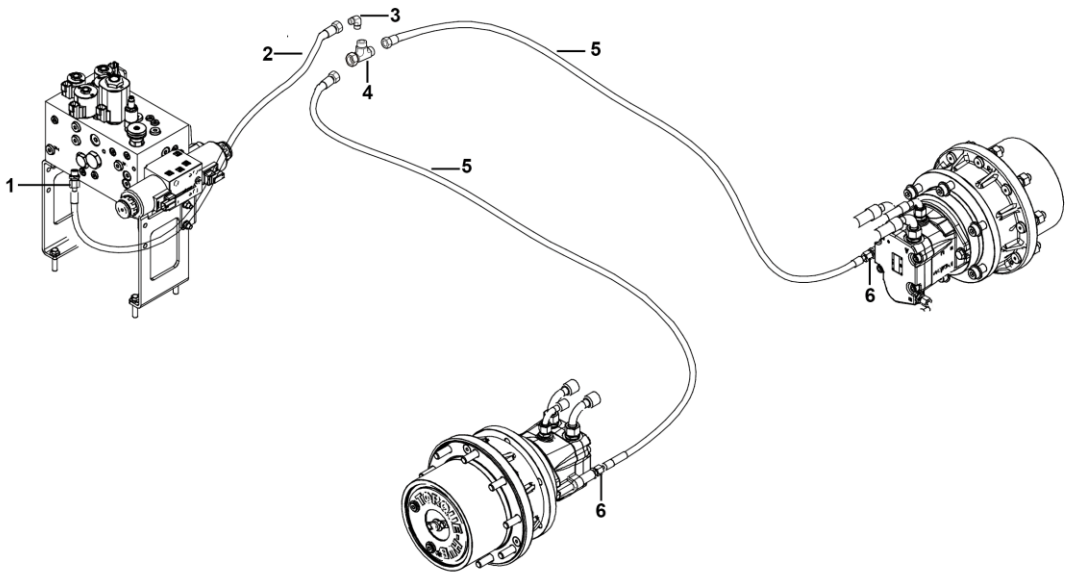
Key	Part No.	Description	Spare parts Y/N	Qty	Remarks
1	25160010131	Rear counterweight, 305.69	Y	1	
2	4013010358	Nut gb6185-m12flznyc-8-480	Y	2	
3	4015010286	Washer gb96.1-12flznyc-480	Y	2	
4	4011010980	Bolt gb5783-m12*45flznyc-8.8-480	Y	2	
5	4015010340	Washer gb97.1-12flznyc-300hv-480	Y	4	
6	25160010142	Rear counterweight pallet	Y	1	
7	4013010315	Nut gb6172.1-m12flznyc-8-480	Y	1	
8	4011011131	Bolt gb5783-m12*65flznyc-10.9-480	Y	1	
9	4013010295	Nut gb6170-m12flznyc-8-480	Y	1	
10	25160009091	Pressure plate,55*25*6	Y	1	
11	25160023881	Side counterweight, 62.10	Y	1	

E BRAKE SYSTEM



LINGONG GROUP JINAN HEAVY MACHINERY CO., LTD.

Service brake assembly



E1100-2506000091.S

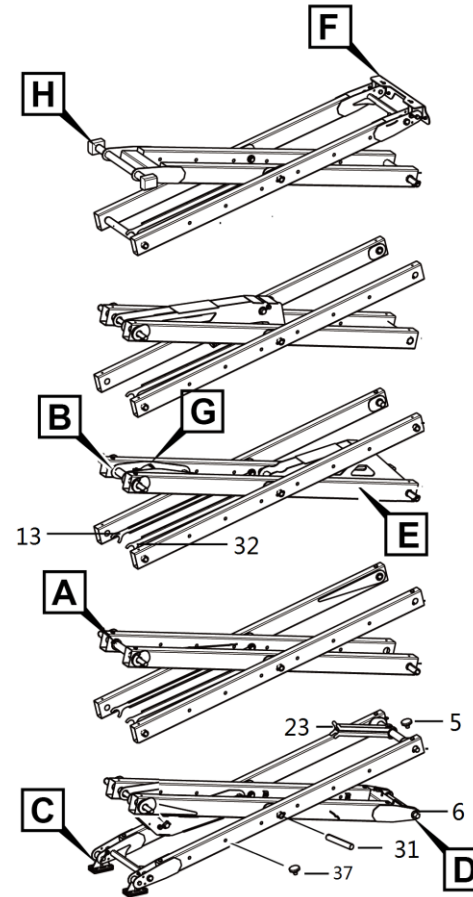
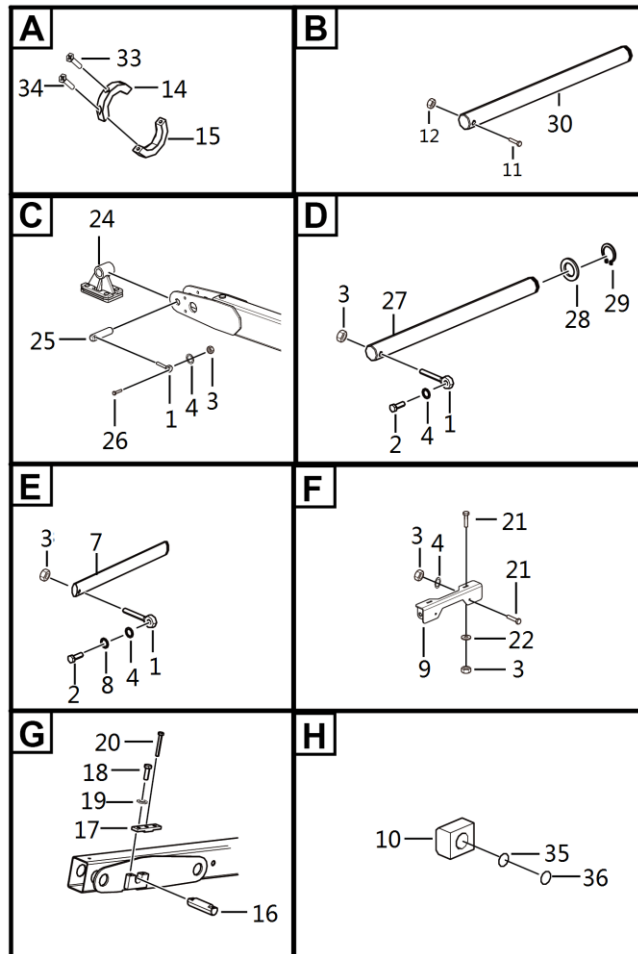
Key	Part No.	Description	Spare parts Y/N	Qty	Remarks
1	4120001368	Fitting, hydraulic 1cb-14-04wd	Y	1	
2	4120001921	Hose 20411-14-04*scp3-04*900, travel control valve br port-tee fitting	Y	1	
3	4120000868	Right-angle fitting 2c9-14z	Y	1	
4	4120001623	Tee fitting ac-14	Y	1	
5	4120703634	Hose 20411-14-04*scp3-04*1650, tee fitting-motor brake port	Y	2	
6	4120704551	Straight fitting 1co-14-04-h70	Y	2	

G
SCISSOR ASSY INSTALLATION ASSEMBLY



LINGONG GROUP JINAN HEAVY MACHINERY CO., LTD.

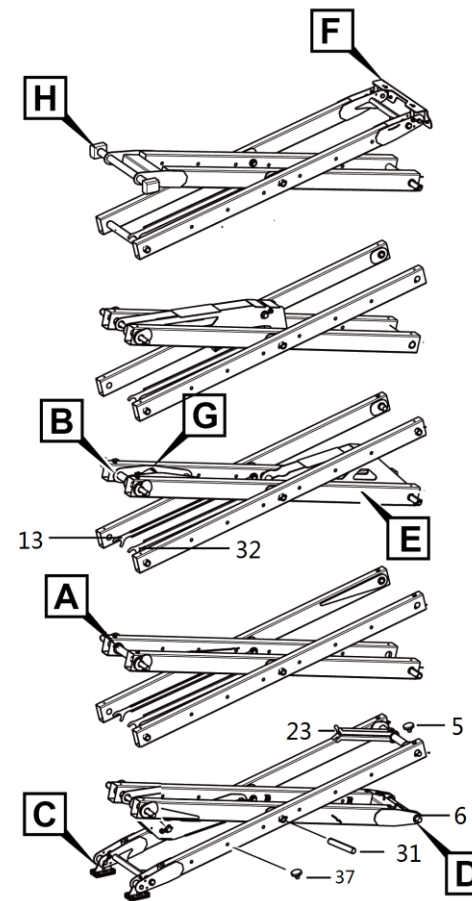
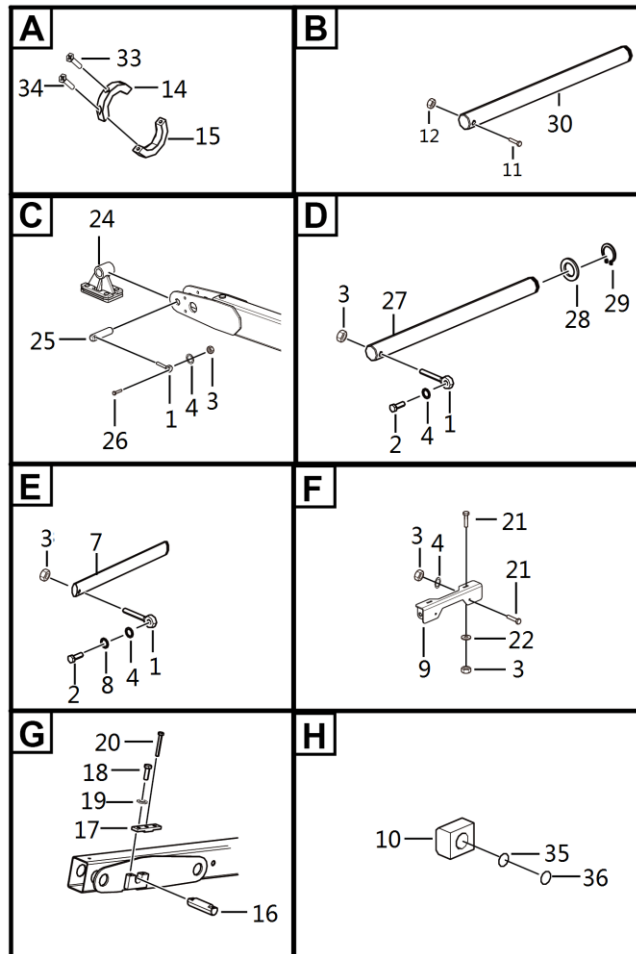
Fork assembly



G1300-2520003080.S1a

Key	Part No.	Description	Spare parts Y/N	Qty	Remarks
1	25220000611	Pin ϕ 33-70	Y	8	
2	4011010982	Bolt gb5783-m12*55flznyc-8.8-480	Y	4	
3	4013010301	Nut gb889.1-m12flznyc-8-480	Y	14	
4	4015010282	Washer gb97.1-12flznyc-480	Y	12	
5	25200000402	Rubber plug,14*11	Y	32	
6	25200036671	Fork assembly	Y	1	
7	25200007991	Shaft 1.75 " *7.48 "	Y	3	
8	25200008471	Thick washer	Y	3	
9	25200007502	Upper fixed seat assembly	Y	1	
10	25200008182	Slider	Y	2	
11	4011010729	Bolt gb5782-m10*65flznyc-8.8-480	Y	18	
12	4013010296	Nut gb889.1-m10flznyc-8	Y	18	
13	25200030762	Left wiring plate assembly	Y	2	
14	25200030771	Fixed ring, for fixing fixed plate pin	Y	6	
15	25200030781	Fixed ring, for fixing fixed plate pin	Y	6	
16	25200031001	Shaft 1.75"*5.79"	Y	1	
17	25200030621	Pin plate, fork frame	Y	2	
18	4011010707	Bolt gb5783-m10*30flznyc-8.8-480	Y	4	
19	4015010279	Washer gb97.1-10flznyc-480	Y	6	
20	4011010724	Bolt gb5782-m10*75flznyc-8.8	Y	2	
21	4011011010	Bolt gb14-m12*40flznyc-8.8	Y	6	
22	4015010286	Washer gb96.1-12flznyc-480	Y	2	

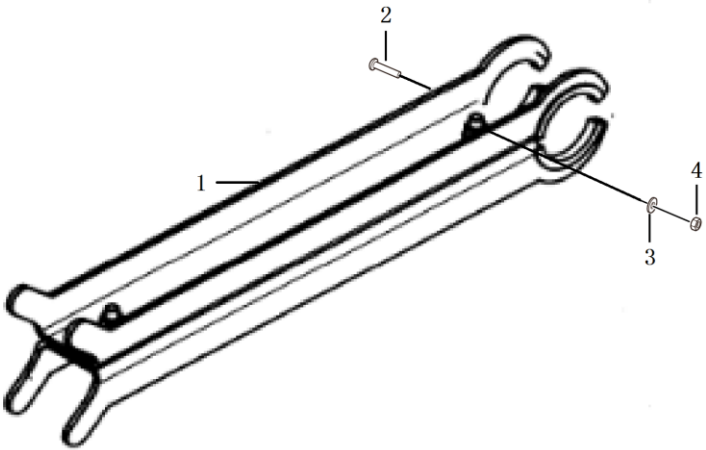
Fork assembly



G1300-2520003080.S1a

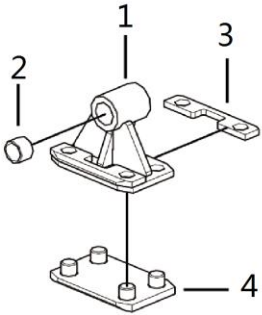
Key	Part No.	Description	Spare parts Y/N	Qty	Remarks
23	25200007521	Protective arm assembly	N	1	
24	25200007541	Slider assembly, 1st outer arm weldment	N	2	
25	25200007581	Shaft 1.25 " *5 "	Y	4	
26	4011010980	Bolt gb5783-m12*45flznyc-8.8-480	Y	4	
27	25200030631	Fixed plate pin, φ38.1*571	Y	1	
28	25200000491	Washer 51*38*3	Y	23	
29	4015010249	Snap ring jb4342-38-65mn	Y	19	
30	25200007981	Shaft 1.5 " *29.69 "	Y	8	
31	25200007971	Shaft 1.5 " *10.41 "	N	10	
32	25200030742	Right wiring plate assembly	Y	4	
33	4011011158	Screw gb819.1-m6*16flznyc-4.8	Y	6	
34	4014010128	Screw gb70.1-m5*25flznyc-8.8-480	Y	12	
35	25200009921	Plate, for adjusting the gap between slider and track	Y	2	
36	25200009931	Plate, for adjusting the gap between slider and track	Y	2	
37	4190704301	Thermoplastic plug	Y	40	

Protective arm assembly





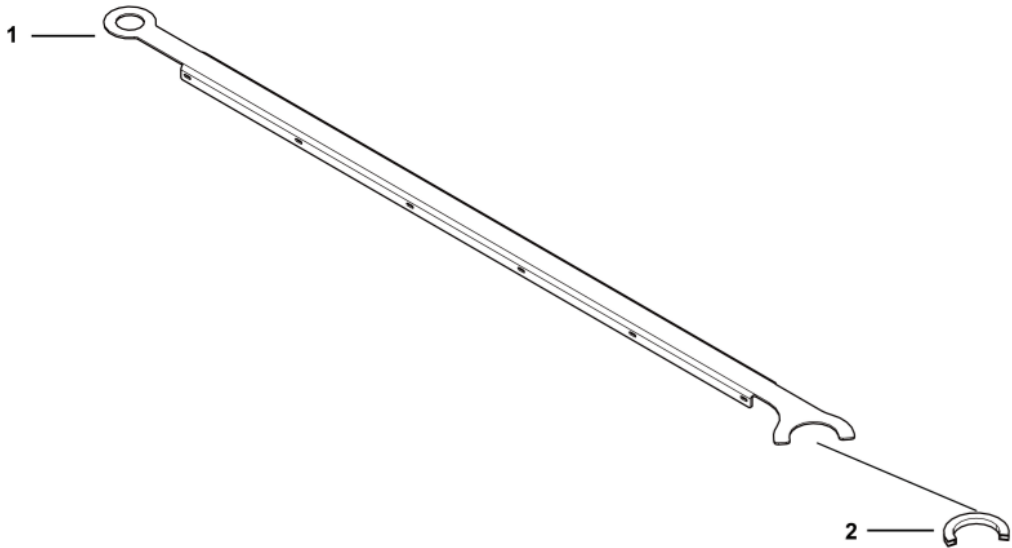
Slider assembly



G1300-2520000754.S

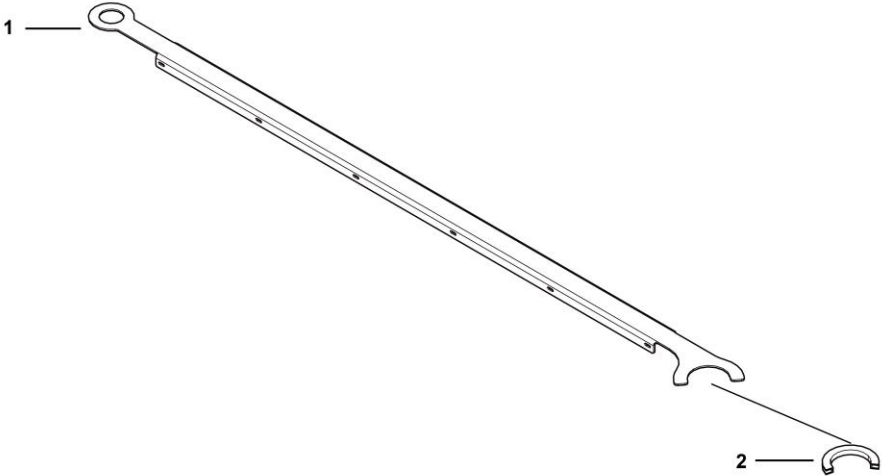


Plate assembly



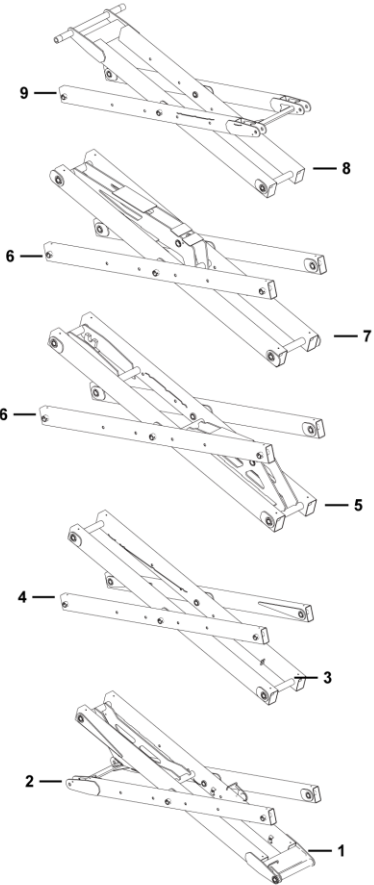
G3100-2520003074.S2A

Plate



G1300-2520003076.S

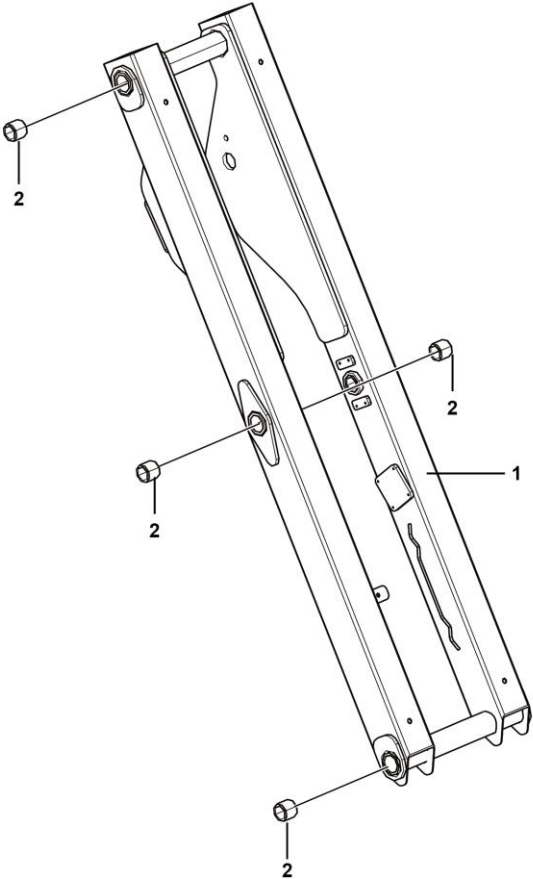
Fork assembly



Key	Part No.	Description	Spare parts Y/N	Qty	Remarks
1	25200030812	1# inner arm assembly	Y	1	
2	25200030822	1st outer arm weldment	Y	1	
3	25200030832	2nd inner arm assembly	Y	1	
4	25200030842	2# outer arm weldment	Y	2	
5	25200030852	3# inner arm assembly	Y	1	
6	25200030862	3# outer arm weldment	Y	4	
7	25200030873	4# inner arm assembly	Y	1	
8	25200030892	5# inner arm assembly	Y	1	
9	25200038081	5# outer arm weldment	Y	1	

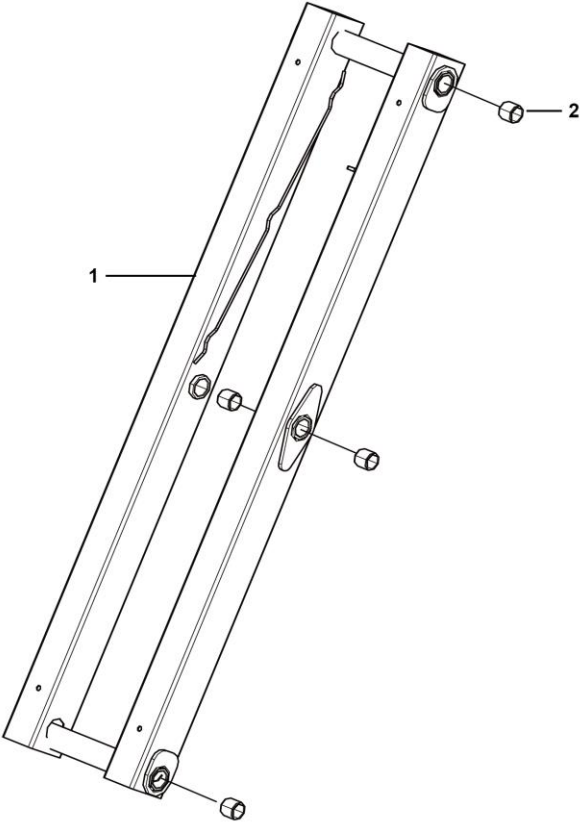


Inner arm

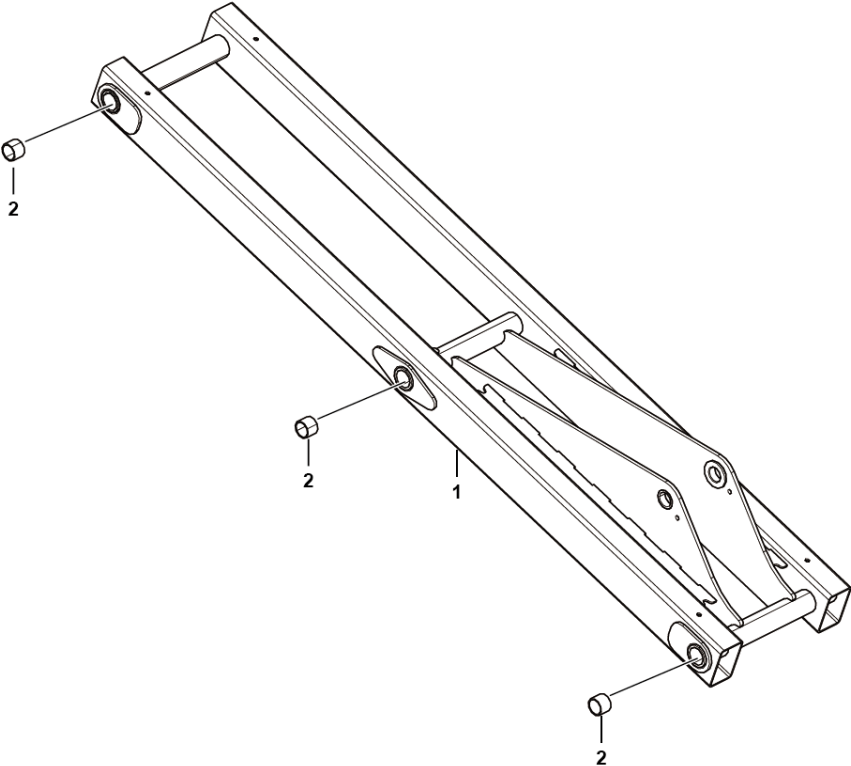


G1300-2520003081.S

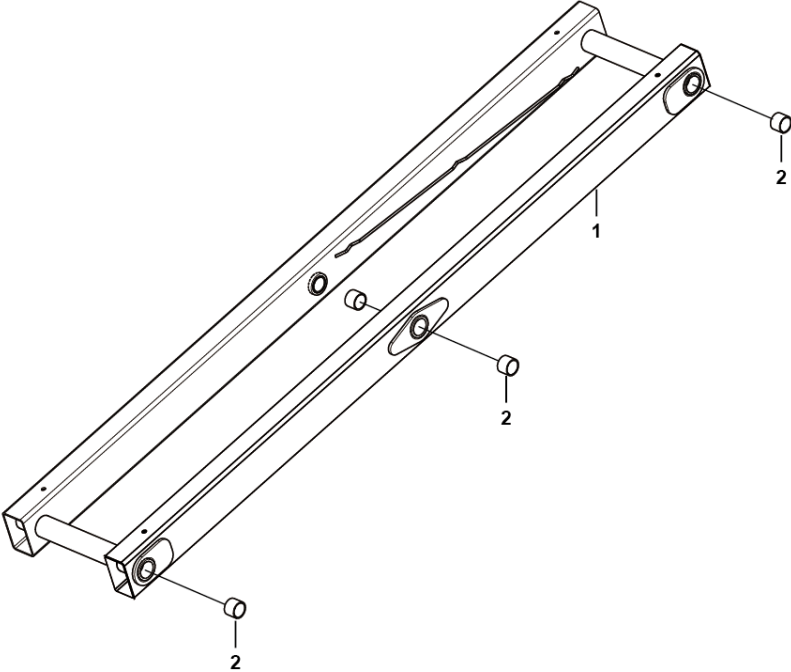
Inner arm



Inner arm

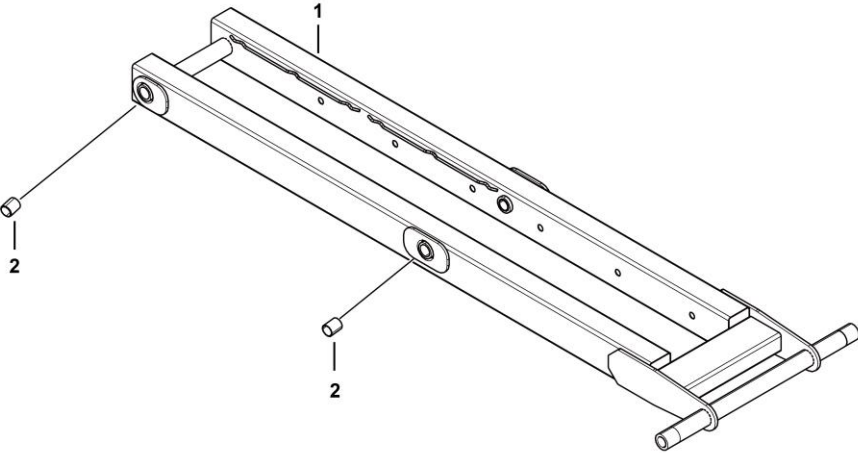


Inner arm





Inner arm



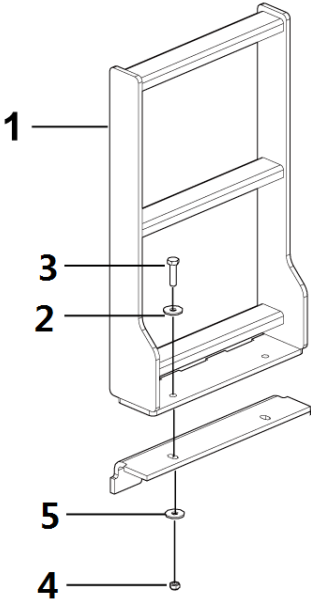
G1300-2520003089.S

I
COVER ACCESSORY



LINGONG GROUP JINAN HEAVY MACHINERY CO., LTD.

Cover



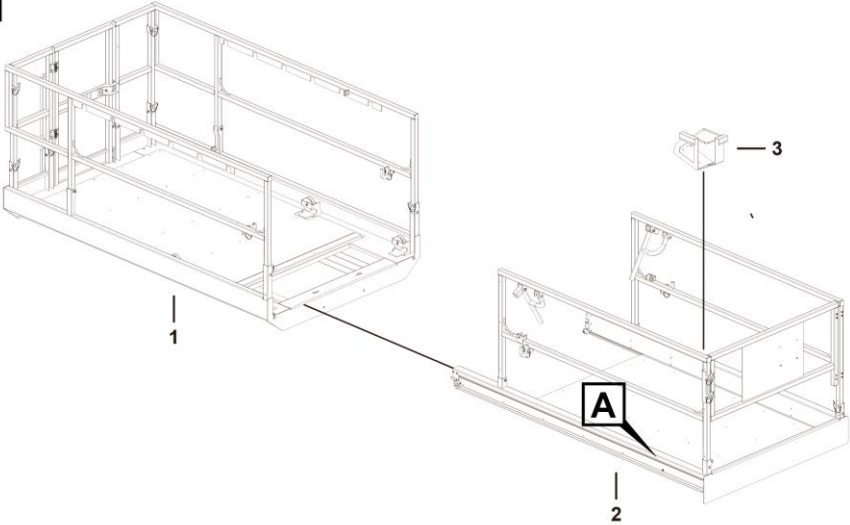
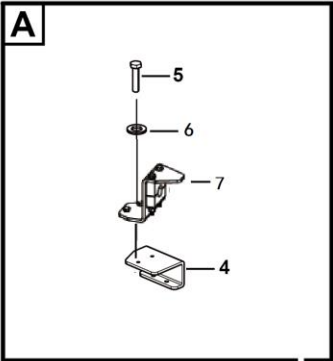
I1700-2529000222.S1b

K
PLATFORM ASSEMBLY

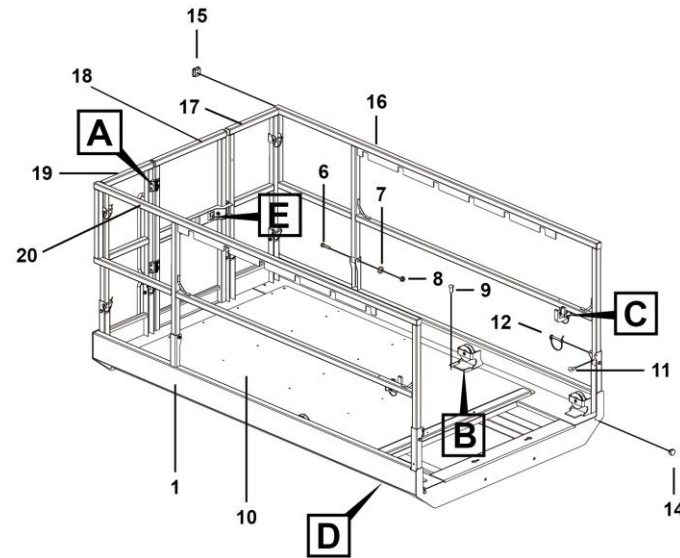
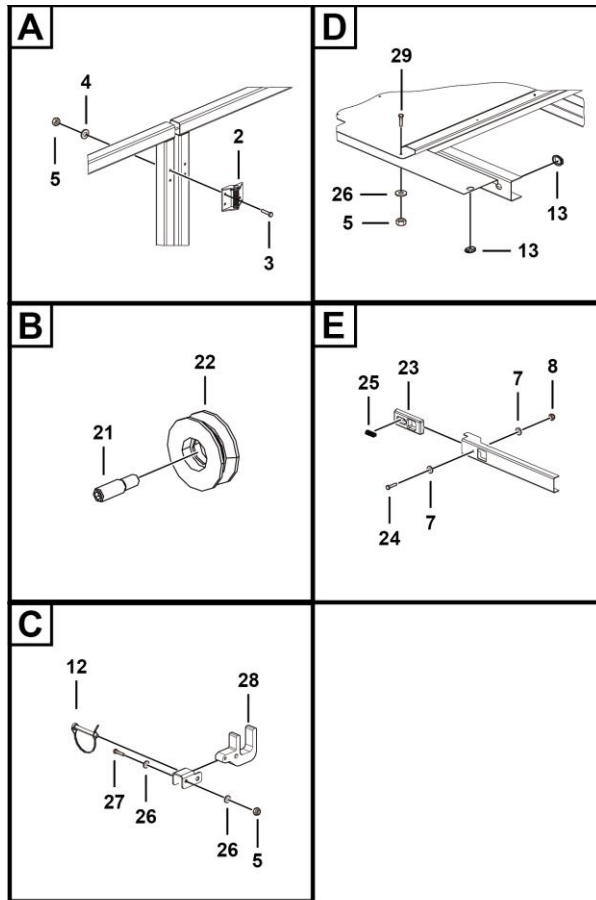


LINGONG GROUP JINAN HEAVY MACHINERY CO., LTD.

Platform assembly

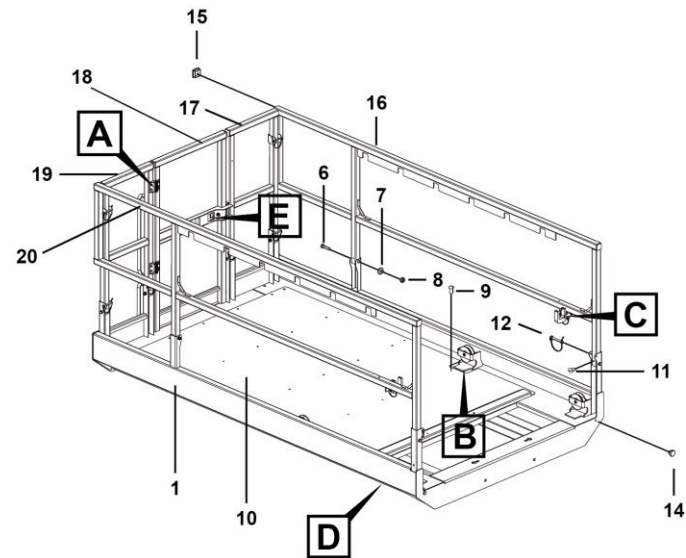
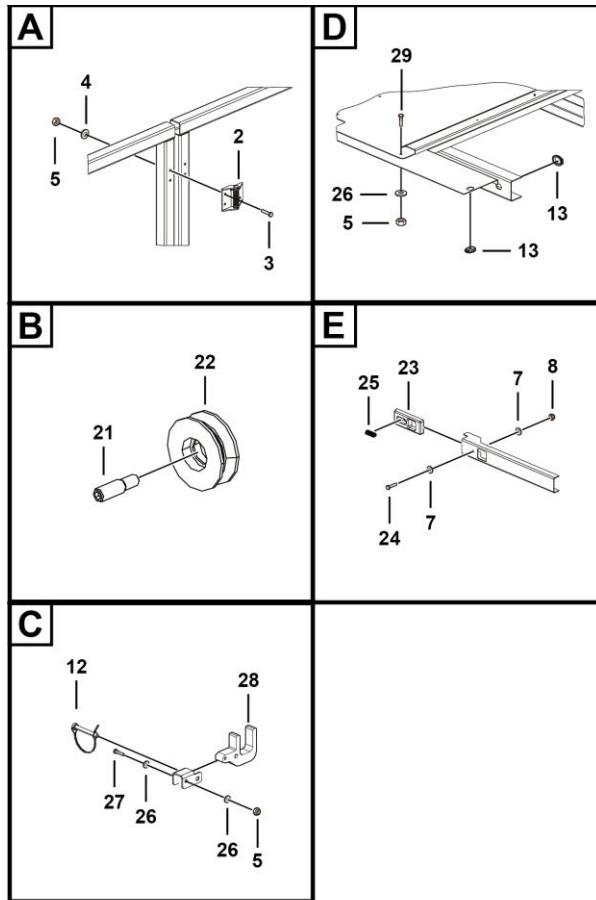


Platform assembly

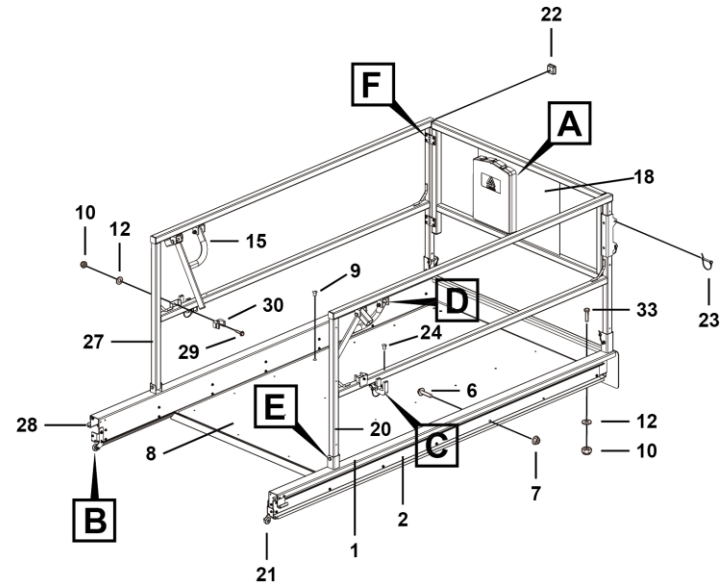
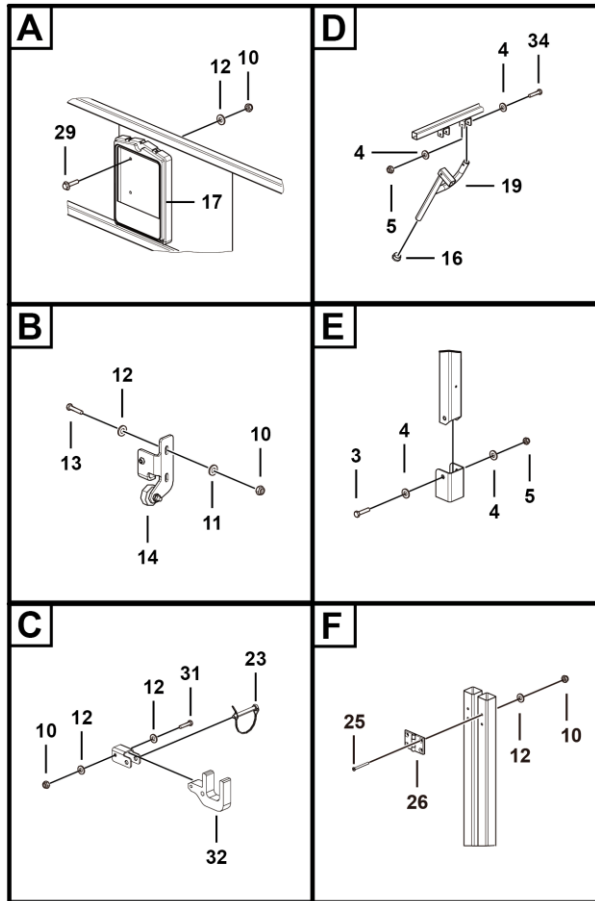


Key	Part No.	Description	Spare parts Y/N	Qty	Remarks
1	25210021835	Weldment, main platform base plate weldment	Y	1	
2	4190001525	Spring hinge x022	Y	2	
3	4011010920	Bolt gb5782-m6*55flznyc-8.8-480	Y	8	
4	4015010296	Washer gb96.1-6flznyc-480	Y	8	
5	4013010300	Nut gb889.1-m6flznyc-8-480	Y	14	
6	4011010825	Bolt gb5782-m10*70flznyc-8.8	Y	8	
7	4015010339	Washer gb97.1-10flznyc-300hv-480	Y	18	
8	4013010296	Nut gb889.1-m10flznyc-8	Y	9	
9	4019010206	Break mandrel blind rivet gb12619-6x14	Y	29	
10	25210021841	Main platform base plate	Y	1	
11	4019010209	Break mandrel blind rivet gb12619-5*9	Y	10	
12	4190703890	D-pin 8*65 with 200mm chain and steel sheet	Y	10	
13	25210042571	Rubber gromet, 31*30*3	Y	2	
14	4190002363	Rivet pin 462786	Y	2	
15	4190002358	Square pipe plug 111541	Y	10	
16	25210021871	Weldment, main platform left rail	Y	1	
17	25210021852	Weldment, left rear rail	Y	1	
18	25210021893	Weldment, platform gate	Y	1	
19	25210021861	Weldment, right rear rail	Y	1	
20	25210021881	Weldment, main platform right rail	Y	1	
21	25210012861	Shaft, m6*7.05	Y	4	
22	25210005561	V-wheelφ102	Y	4	

Platform assembly



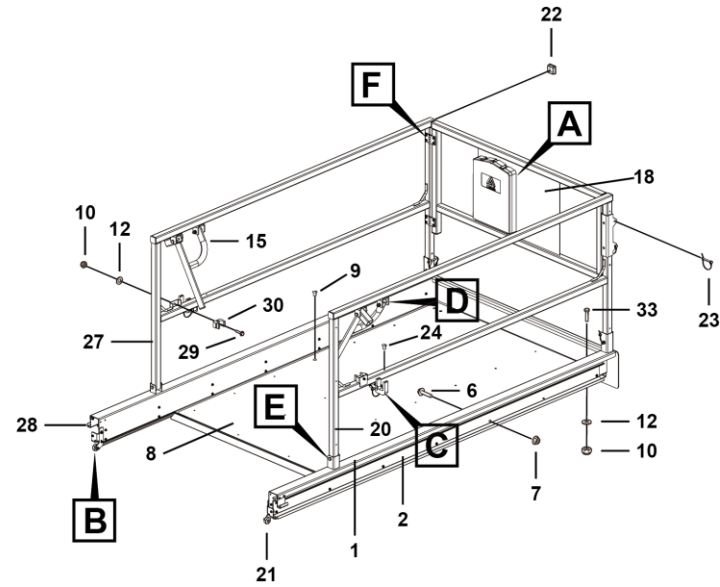
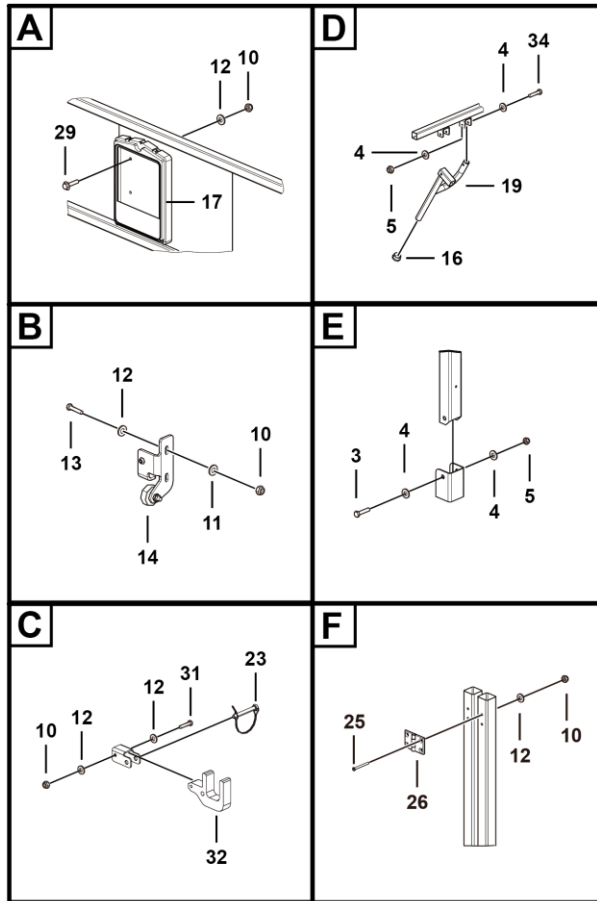
Extension platform assembly



K2102-2521001269.S1c

Key	Part No.	Description	Spare parts Y/N	Qty	Remarks
1	25210022082	Weldment, extension deck base plate weldment	Y	1	
2	25210012591	Guide rail, for guiding the wheel to reciprocate in a straight line	Y	2	
3	4011000825	Bolt gb5783-m20x90epzn-8.8	Y	4	
4	4015010339	Washer gb97.1-10flznyc-300hv-480	Y	16	
5	4013010296	Nut gb889.1-m10flznyc-8	Y	8	
6	4011010735	Bolt gb16674-m6*16flznyc-8.8-480	Y	28	
7	4013010388	Nut gb6177-m6flznyc-8-480	Y	28	
8	25210022142	Extension deck base plate	Y	1	
9	4019010206	Break mandrel blind rivet gb12619-6x14	Y	24	
10	4013010300	Nut gb889.1-m6flznyc-8-480	Y	28	
11	4015010296	Washer gb96.1-6flznyc-480	Y	4	
12	4015010284	Washer gb97.1-6flznyc-480	Y	34	
13	4011010744	Bolt gb5783-m6*20flznyc-8.8-480	Y	8	
14	25210013531	Left limiter assembly	Y	1	
15	25210012792	Left handle, left rail	Y	1	
16	4190002360	Round pipe plug 111530	Y	2	
17	25210000821	Manual box	Y	1	
18	25210012761	Weldment, front rail	Y	1	
19	25210012802	Right handle, right rail	Y	1	
20	25210022101	Weldment, extension deck right rail	Y	1	
21	25210013541	Right limiter assembly	N	1	
22	4190002358	Square pipe plug 111541	Y	7	

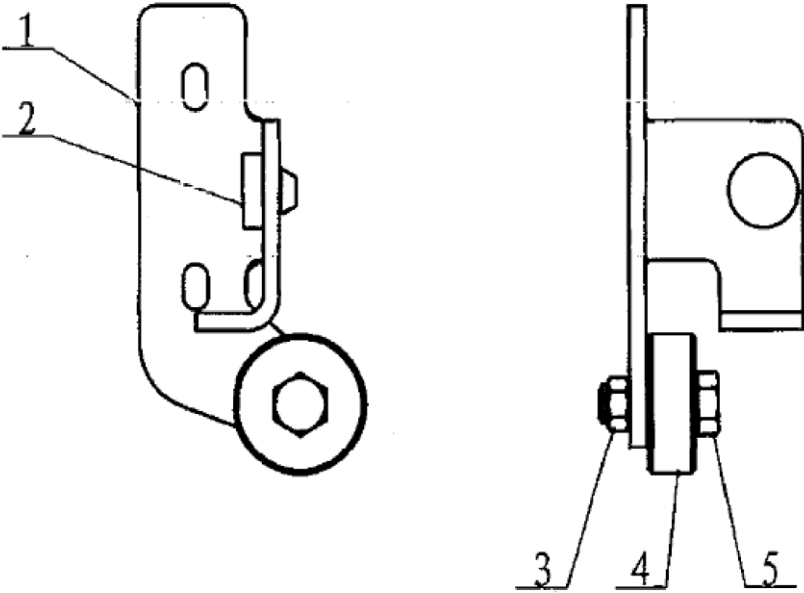
Extension platform assembly



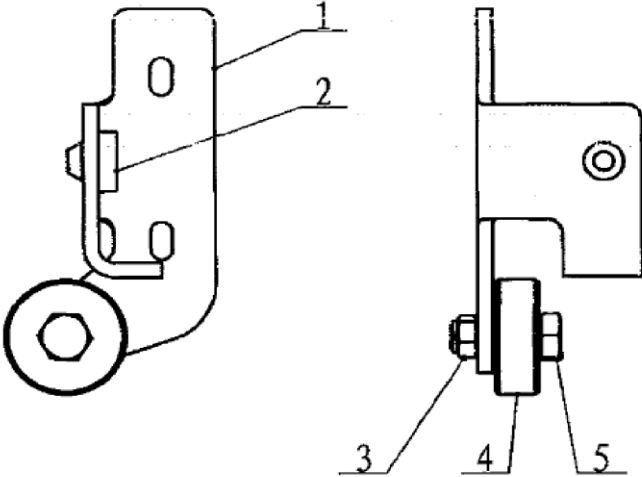
K2102-2521001269.S1c

Key	Part No.	Description	Spare parts Y/N	Qty	Remarks
23	4190703890	D-pin 8*65 with 200mm chain and steel sheet	Y	6	
24	4019010209	Break mandrel blind rivet gb12619-5*9	Y	6	
25	4014010472	Screw gb70.3-m6*60flznyc-8.8-480	Y	8	
26	4190706177	Hinge stainless steel304	Y	2	
27	25210022091	Weldment, extension deck left rail	Y	1	
28	25210012851	Forming (stamping, etc.), bend plate	Y	2	
29	4011010757	Bolt gb16674-m6*20flznyc-8.8	Y	6	
30	25210012811	Fixed block, left/right rail	Y	2	
31	4011010826	Bolt gb5782-m6*45flznyc-8.8-480	Y	2	
32	25210005791	Guide pad, left rail	Y	2	
33	4011011078	Bolts	Y	4	
34	4011010724	Bolt gb5782-m10*75flznyc-8.8	Y	4	

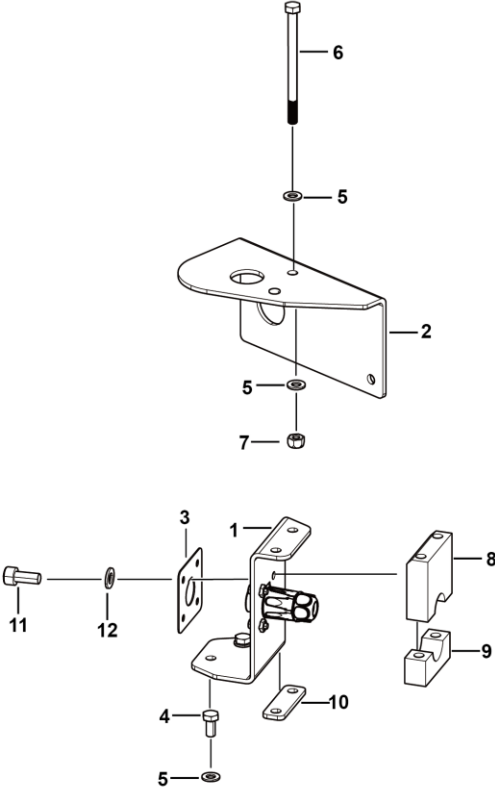
Left limiter assembly



Right limiter assembly



Plug fixing assembly



K2107-2521004219.S2a

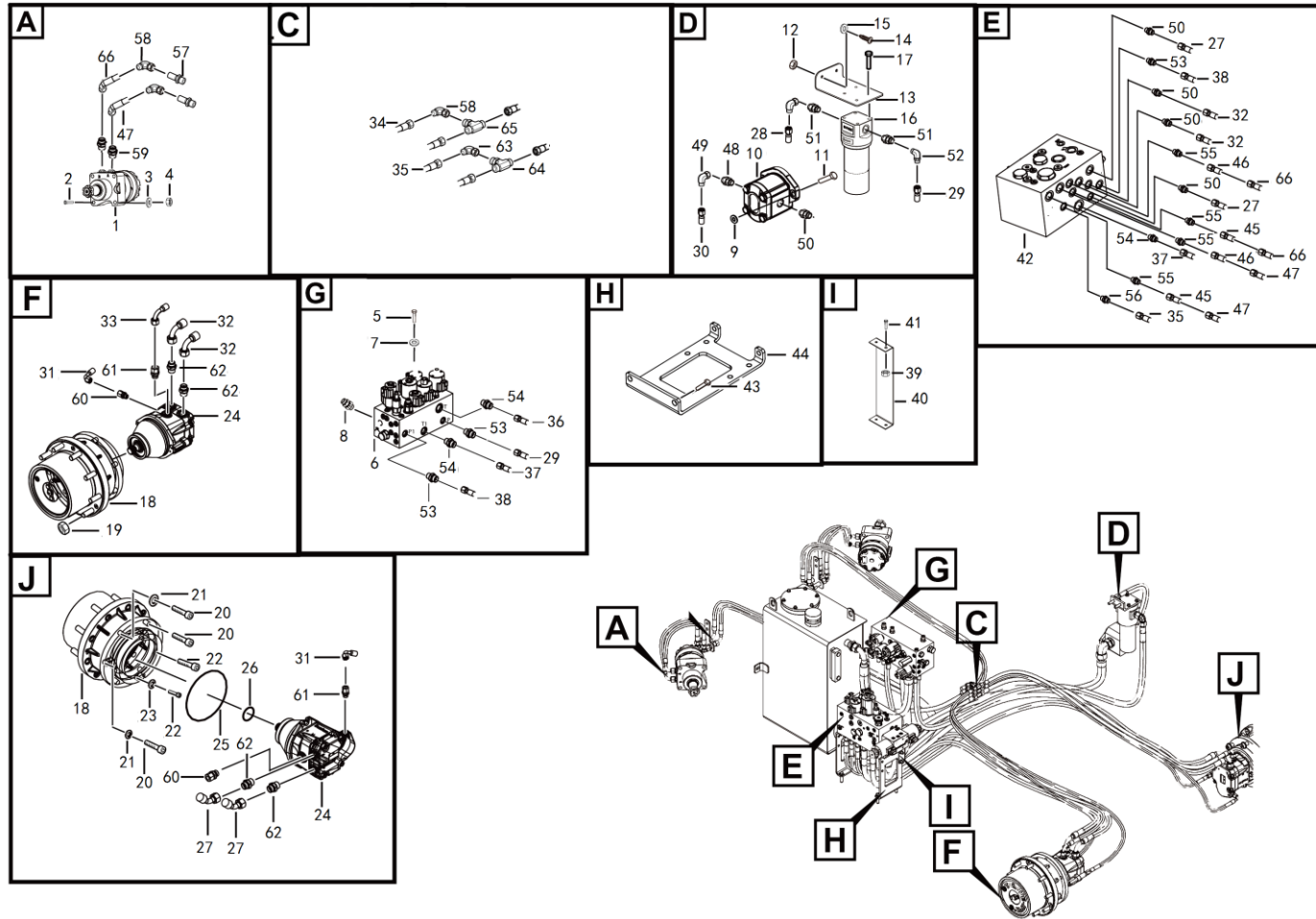
Key	Part No.	Description	Spare parts Y/N	Qty	Remarks
1	25210041901	Bracket weldment, for fixing plug	Y	1	
2	25210042182	Guard plate, for protecting plug	Y	1	
3	25210041872	Plug baffle,for fixing plug	Y	1	
4	4011010746	Bolt gb5783-m8*12flznyc-8.8-480	Y	2	
5	4015010280	Washer gb97.1-8flznyc-480	Y	6	
6	4011011168	Bolt gb5782-m8*110flznyc-8.8-480	Y	2	
7	4013010314	Nut gb6185-m8flznyc-8	Y	2	
8	25210041911	Upper plug clamp, for fixing plug	Y	1	
9	25210036671	Lower plug clamp, for fixing plug	Y	1	
10	25300005821	Pressure plate, for fixing bracket weldment	Y	1	
11	4014010357	Screw gb70.1-m5*12flznyc-8.8-480	Y	4	
12	4015010283	Washer gb97.1-5flznyc-480	Y	4	

L
HYDRAULIC SYSTEM



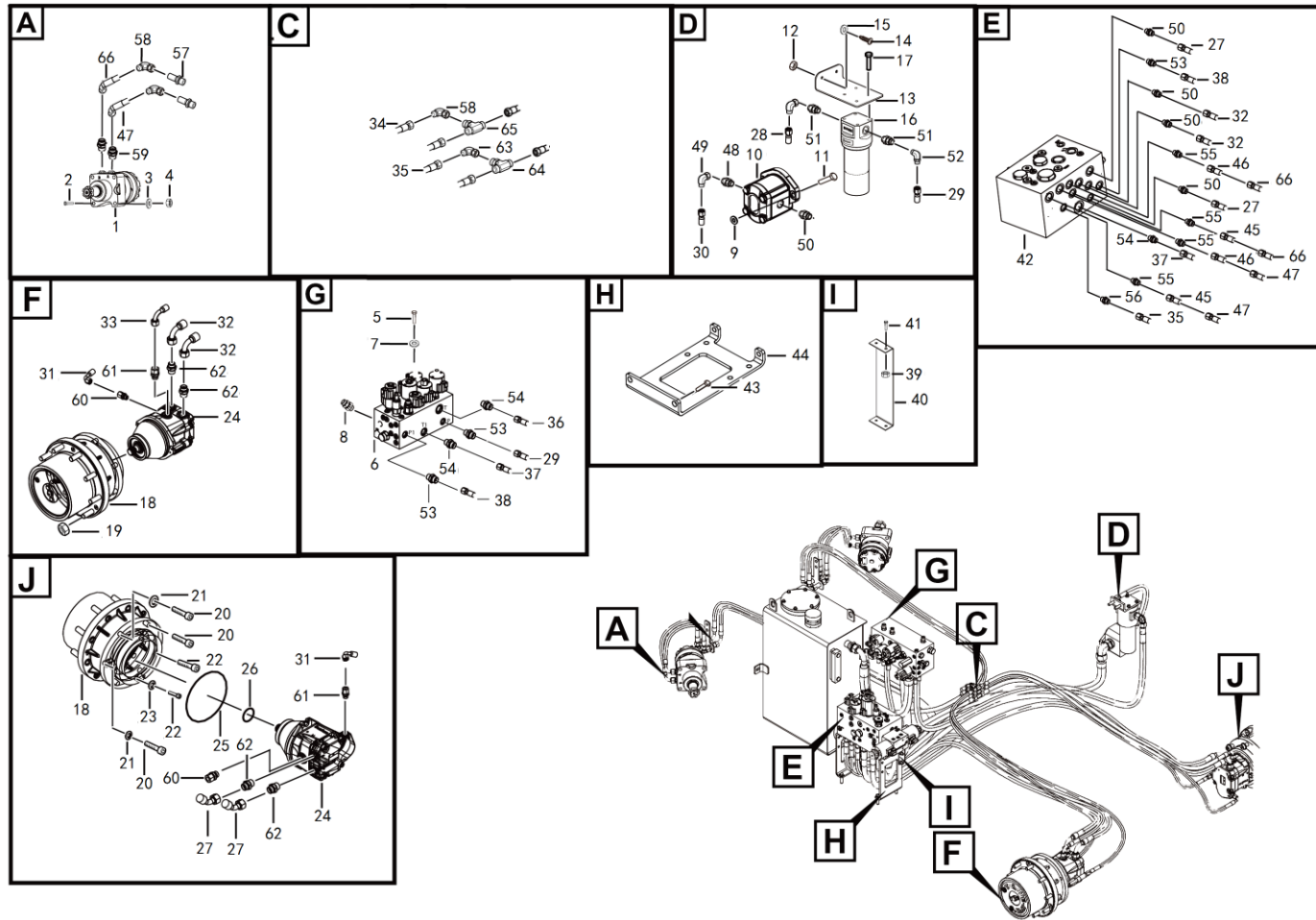
LINGONG GROUP JINAN HEAVY MACHINERY CO., LTD.

Drive hydraulic assembly



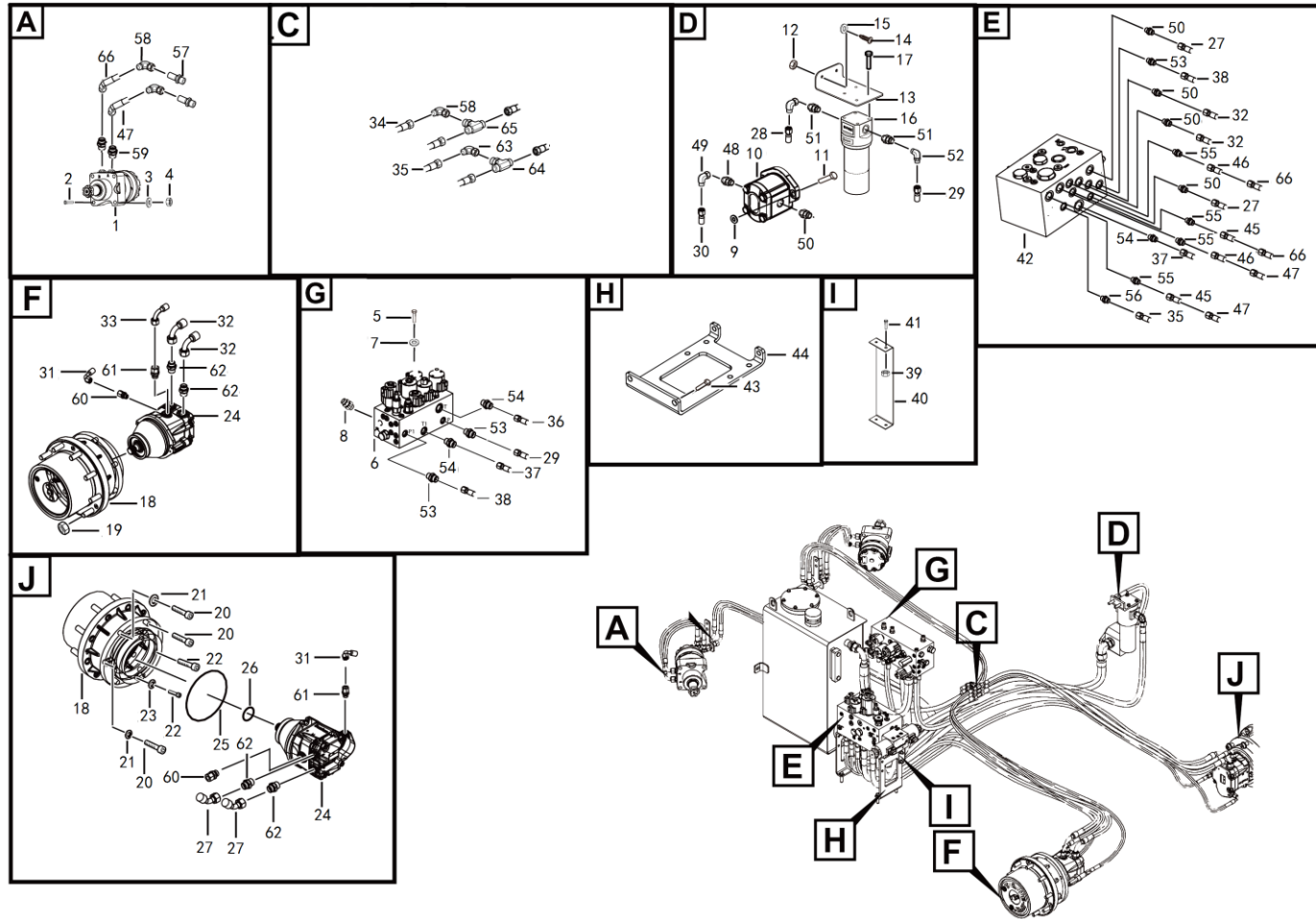
Key	Part No.	Description	Spare parts Y/N	Qty	Remarks
1	4120001345	Travel motor 530375t3531aaaaa	Y	2	
2	4014010459	Screw gb70.1-m12*95flznyc-10.9-480	Y	8	
3	4015010340	Washer gb97.1-12flznyc-300hv-480	Y	8	
4	4013010368	Nut gb889.1-m12flznyc-10-480	Y	8	
5	4011010711	Bolt gb5783-m8*20flznyc-8.8-480	Y	4	
6	4120704542	Lift control valve st5115-ab00	Y	1	
7	4015010289	Washer gb96.1-8flznyc-480	Y	4	
8	4120001977	Pressure tap smk20-g1/4-pc	Y	4	
9	4015010340	Washer gb97.1-12flznyc-300hv-480	Y	2	
10	4120001574	Gear pump	Y	1	
11	4011010879	Bolt gb5783-m10*30flznyc-10.9-480	Y	2	
12	4013010372	Nut gb889.1-m10flznyc-8-480	Y	2	
13	25070000573	Forming (stamping, etc.), high-pressure filter mounting plate	Y	1	
14	4011010707	Bolt gb5783-m10*30flznyc-8.8-480	Y	2	
15	4015010278	Washer gb96.1-10flznyc-480	Y	2	
16	4120001428	High-pressure filter kglb-0080005l	Y	1	
17	4011010966	Bolt gb16674-m8*20flznyc-8.8-480	Y	8	
18	4120704497	Reducer 7hpg01fzz30048b	Y	2	
19	25050000661	Tapered hexagon nut 5/8-18unf	Y	18	
20	4014010078	Screw 5/8-11unf-2b*1.5inch-10.9	Y	12	
21	4015010342	Washer gb97.1-16flznyc-300hv-480	Y	12	
22	4011010516	Bolt 7/16-14unc-2b*30-10.9	Y	4	

Drive hydraulic assembly



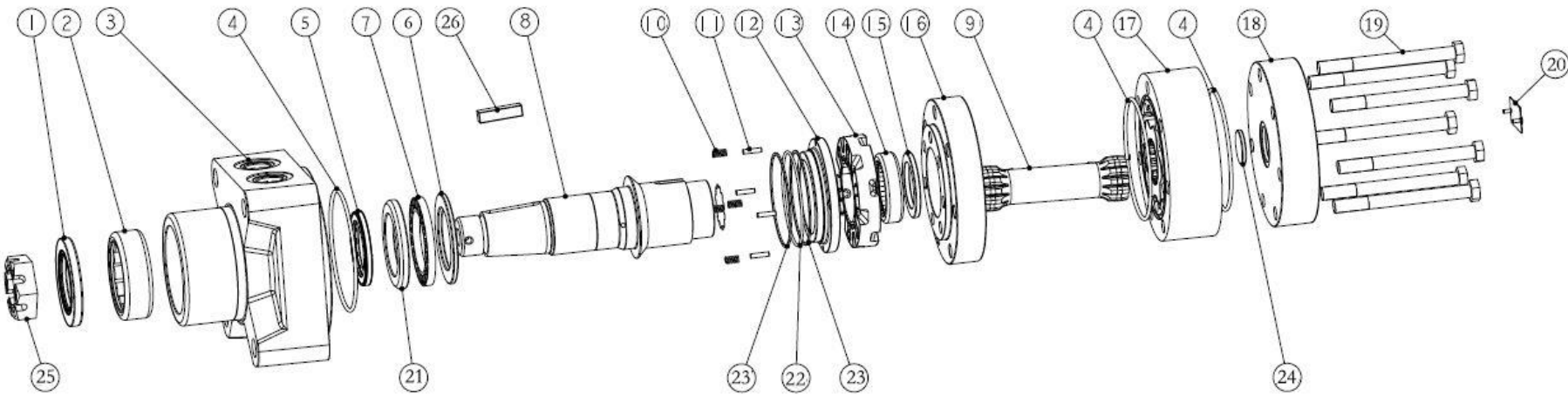
Key	Part No.	Description	Spare parts Y/N	Qty	Remarks
23	4015010377	Washer gb1230-12flznyc-45-480	Y	4	
24	4120703983	Travel motor	Y	2	
25	4120001881	O-ring 120.3*2.62	Y	2	
26	4120002452	O-ring as568-6.07*1.78	Y	2	
27	4120705365	Motor hose f471tccacf151508-2260, travel control valve-right rear motor	Y	2	
28	4120705964	Hose f471tccacf151508-500, gear pump-high-pressure filter	Y	1	
29	4120705562	Hose f471tccaca151508-1800, high-pressure filter-lift control valve p	Y	1	
30	4120705368	Hose 20411-36-16*osd-150-16*1780, engine-hydraulic tank	Y	1	
31	4120705369	Hose fc402cacf080804-1600, rear motor x port-tee fitting	Y	2	
32	4120705370	Motor hose f471tccacf151508-1720, travel control valve-left rear travel motor	Y	2	
33	4120705364	Hose fc402cacf121206-1600, rear motor t port-tee fitting	Y	2	
34	4120705953	Pipe	Y	1	
35	4120705295	Hose fc402caca080804-745, hydraulic tank-tee fitting	Y	1	
36	4120706639	Hose 20411-36-16*20491-36-16*osd150-16*860, hydraulic tank-lift control valve t port	Y	1	
37	4120704556	Hose 20411-36-16*osd150-16*800, lift control valve t1 port-travel control valve t port	Y	1	
38	4120705373	Hose f471tccaca151508-880, lift control valve p1 port-travel control valve p port	Y	1	
39	4013010297	Nut gb889.1-m8flznyc-8-480	Y	4	
40	25070005151	Forming (stamping, etc.), connecting plate, for connecting main valve	Y	1	
41	4011010994	Bolt gb16674-m8*25flznyc-8.8-480	Y	4	
42	4120704543	Travel control valve st51116-ab00	Y	1	
43	4011011015	Bolt gb16674-m10*25flznyc-8.8-480	Y	4	
44	25070005142	Forming (stamping, etc.), travel valve mounting plate	Y	2	

Drive hydraulic assembly



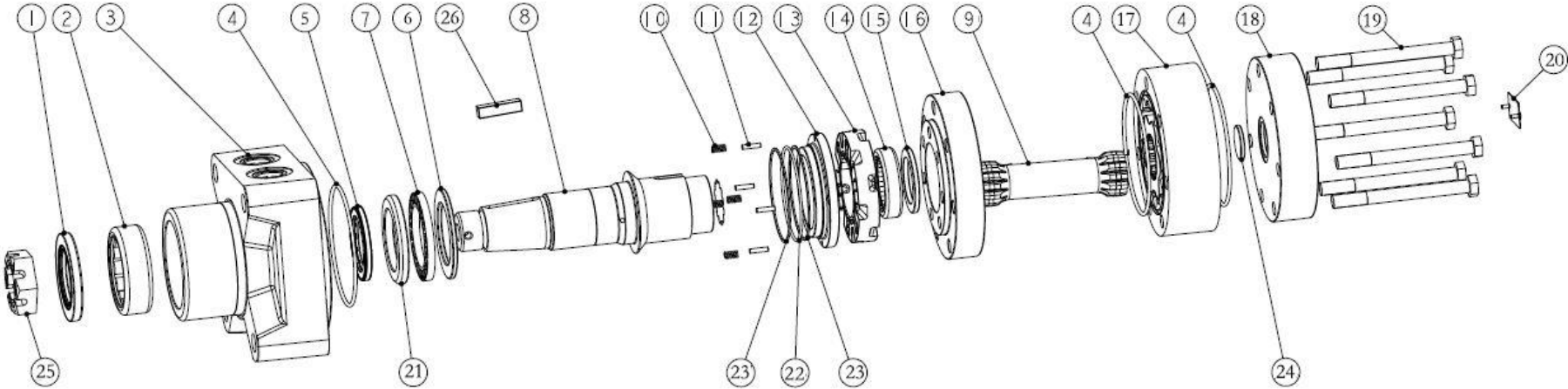
Key	Part No.	Description	Spare parts Y/N	Qty	Remarks
45	4120705374	Motor hose f471tccacf121206-2600, right front motor-travel control valve	Y	2	
46	4120705375	Motor hose f471tccacf121206-2300, left front motor-travel control valve	Y	2	
47	4120705363	Motor hose f471tccacf121206-2300, front motor-travel control valve	Y	2	
48	4120000534	Transition fitting ew28lomda3c	Y	1	
49	4120704907	Fitting ge28lr3/4edomdcf	Y	1	
50	4120002235	Fitting ge15lredomdcf	Y	5	
51	4120704962	Fitting, hydraulic ge15lm22x1.5edomdcf	Y	2	
52	4190000699	Fitting ew15lomda3c	Y	2	
53	4120704963	Fitting, hydraulic ge15lr3/4edomdcf	Y	3	
54	4120704908	Straight fitting ge28lredomdcf	Y	3	
55	4120001224	Fitting ge12lredomdcf	Y	4	
56	4120001170	Fitting ge08lredomdcf	Y	1	
57	4129900314	Fitting ew12lomda3c	Y	5	
58	4120704914	Bulkhead fitting sv12lomdcf	Y	4	
59	4120706645	Raised fitting ge12l9/16unfomda3c-h50	Y	4	
60	4120001163	Fitting ge12l3/4unfomdcf	Y	2	
61	4120704961	Fitting, hydraulic ge08l9/16unfomdcf	Y	2	
62	4120704959	Fitting, hydraulic ge15l11-16unomdcf	Y	4	
63	4190000698	Fitting ew08lomda3c	Y	2	
64	4120704929	Tee fitting t08lcfx	Y	1	
65	4120001226	Tee fitting t12lcfx	Y	1	
66	4120707883	Pipe f471tccacf121206-570	Y	2	

Travel motor 530375t3531aaaa

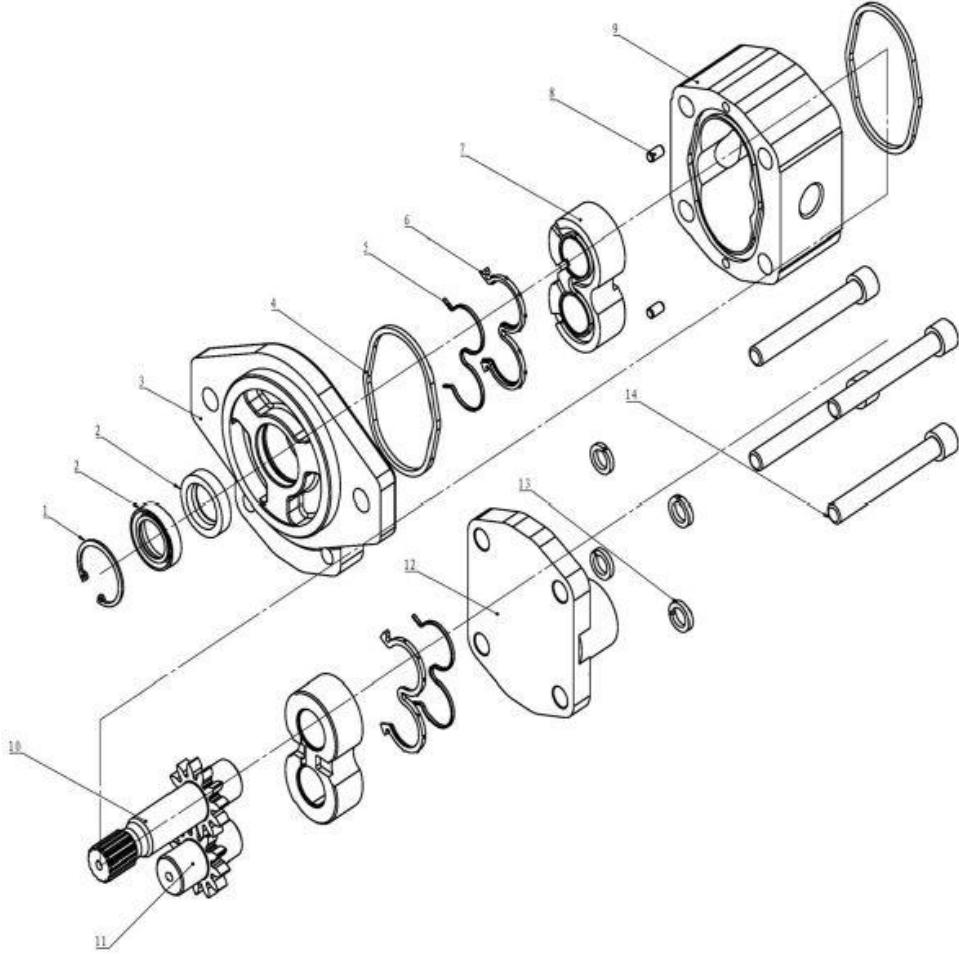


Key	Part No.	Description	Spare parts Y/N	Qty	Remarks
1	4120001344001	Bearing seal 5987016-001	N	1	
2	4120001344002	Bearing 5986832-001	Y	1	
3	4120001344003	Housing 6043801-001	N	1	
4	4120001344004	Seal ring 5986912-001	N	3	
5	4120001344005	High-pressure seal 5993120-001	N	1	
6	4120001344006	Bearing snap ring 4999849-001	N	1	
7	4120001344007	Thrust bearing z181-12	N	1	
8	4120001344008	Output shaft 6043805-006	N	1	
9	4120001344027	Linkage shaft 6043806-014	N	1	
10	4120001344010	Helical spring 7383-000	N	4	
11	4120001344011	Pin 6043890-001	N	4	
12	4120001344012	Balance plate 6043803-001	N	1	
13	4120001344013	Valve 4999904-001	N	1	
14	4120001344014	Bearing 5990407-001	N	1	
15	4120001344015	Gasket 6044293-002	N	1	
16	4120001344016	Valve plate 6043808-002	N	1	
17	4120001344028	Stator and rotor pair 6045455-014	N	1	
18	4120001344018	Rear cover 6043804-003	N	1	
19	4120001344029	Hexagon nut 14384-002	N	7	
20	4120001344020	Sign p075	N	1	
21	4120001344021	Bearing snap ring 4999849-003	N	1	
22	4120001344022	O-ring 250016-037	N	1	

Travel motor 530375t3531aaaa

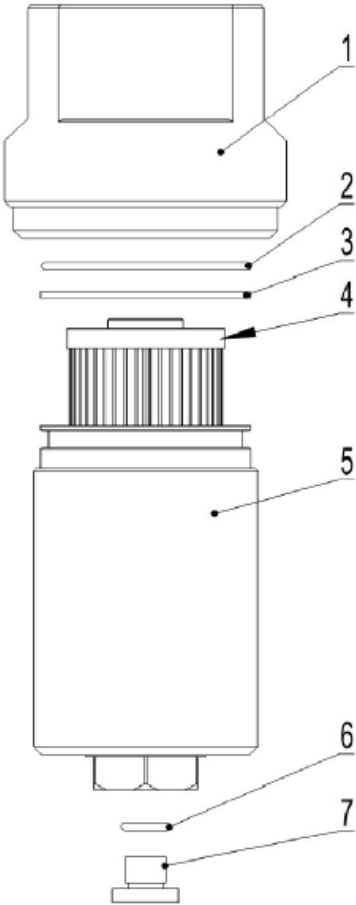


Gear pump

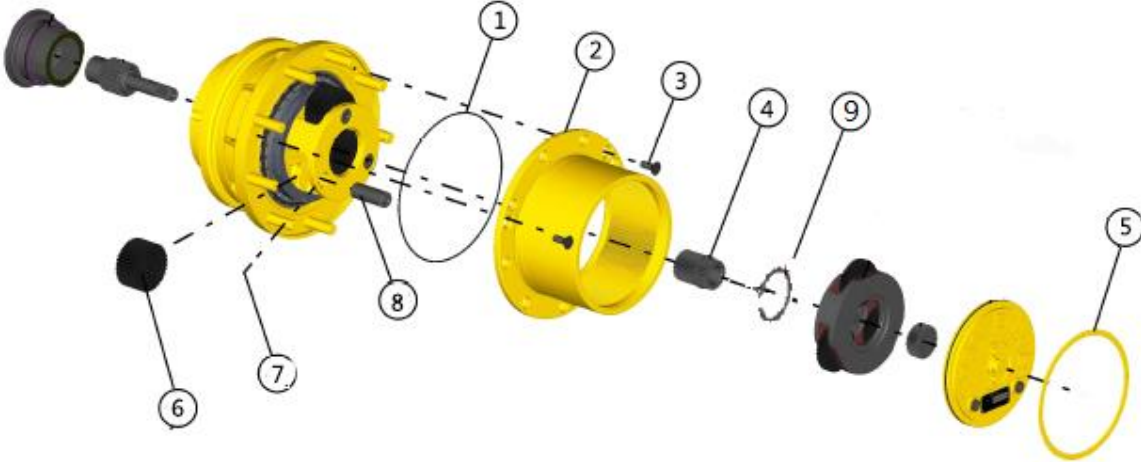


Key	Part No.	Description	Spare parts Y/N	Qty	Remarks
1	4120001574001	Snap ring for hole p03700016	Y	1	
2	4120001574002	Skeleton oil seal p01200039	Y	2	
3	4120001574003	Front cover a012010358	Y	1	
4	4120001574004	Rectangular seal p01010012	Y	2	
5	4120001574005	E snap ring p01100013	Y	2	
6	4120001574006	E-ring p01020033	Y	2	
7	4120001574007	Shaft sleeve assembly a012460084	N	2	
8	4120001431008	Dowel pin p03420002	Y	2	
9	4120001574008	Pump body a012119375	N	1	
10	4120001574009	Driving gear a012205285	N	1	
11	4120001574010	Driven gear a012300450	N	1	
12	4120001574011	Rear cover a012020262	Y	1	
13	4120001574012	Saddle rebound washer p03610018	Y	4	
14	4120001574013	Hexagon socket head cap screw p03010310	Y	4	

High-pressure filter kglb-0080005I



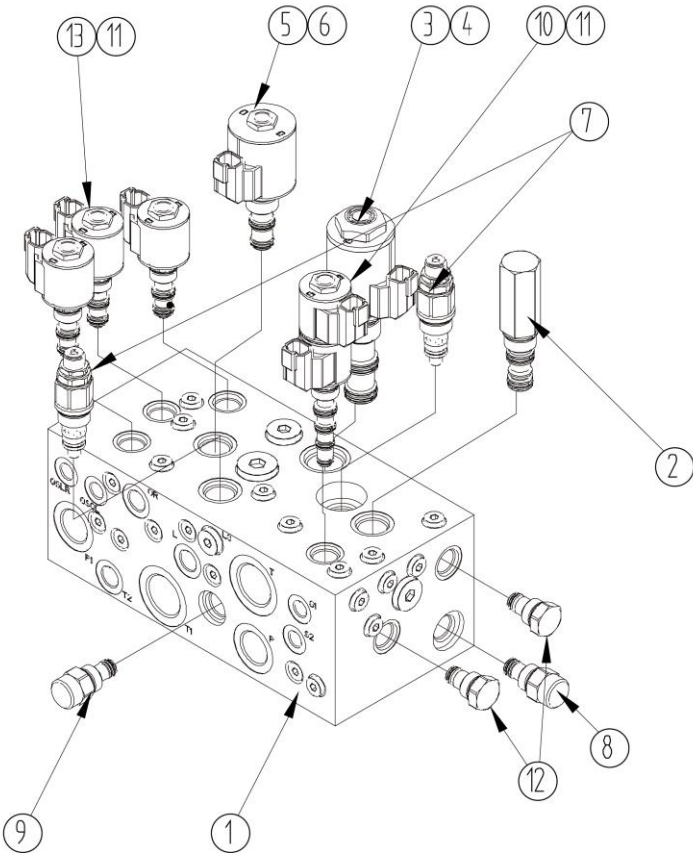
Reducer 7hpg01fzz30048b



Key	Part No.	Description	Spare parts Y/N	Qty	Remarks
1	4120704497001	O-ring 940082	Y	1	
2	4120704497002	Ring gear d2500001	Y	1	
3	4120704497003	Bolt 930904	Y	3	
4	4120704497004	Sun gear d2120002	Y	1	
5	4120704497006	Snap ring 9100297	Y	1	
6	4120704497007	Output body assembly amd2320001	Y	1	
7	4120704497047	Pin 920002	Y	3	
8	4120704497009	Planetary shaft d2220101	Y	3	
9	4120704497060	Snap ring 9100165	Y	1	



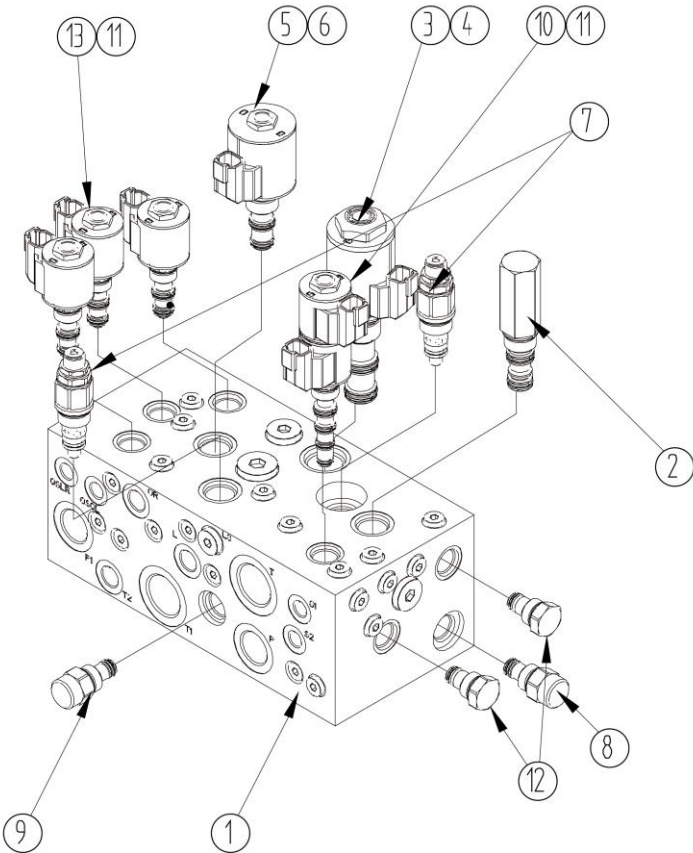
Lift control valve st5115-ab0a



Key	Part No.	Description	Spare parts Y/N	Qty	Remarks
1	4120704542001	Valve block st5115-a00am	Y	1	
2	4120704789001	Counterbalance valve ep10-s35t-0-n-230-st, for preventing shutoff steering pressure	Y	1	
3	4120001573003	Solenoid valve pv72-30a-0-n-0, for controlling each operation speed	Y	1	
4	4120704053012	Coil 4301212	Y	1	
5	4120703335003	On-off solenoid valve sv10-34-0-n-0, for controlling lifting operation	Y	1	
6	4120001573010	Coil 4303712	Y	1	
7	4120703335002	Relief valve rvs0.s10.0w.250, for controlling total pressure	Y	2	
8	4120001573006	Flow valve fr08-20f-0-n/m0.4, for giving priority to ensuring steering flow	Y	1	
9	4120001573006	Flow valve fr08-20f-0-n/m0.4, for giving priority to ensuring steering flow	Y	1	
10	4120703639007	Solenoid valve sv08-58c-0-n-0, for controlling steering operation	Y	1	
11	4120001571010	Coil 4303612	Y	5	
12	4120001490007	Check valve stcv08-0-000a, for controlling inlet flow direction of 2-speed motor	N	1	
13	4120001571009	Solenoid valve sv08-35-0-n-0, for controlling floating operation	Y	3	



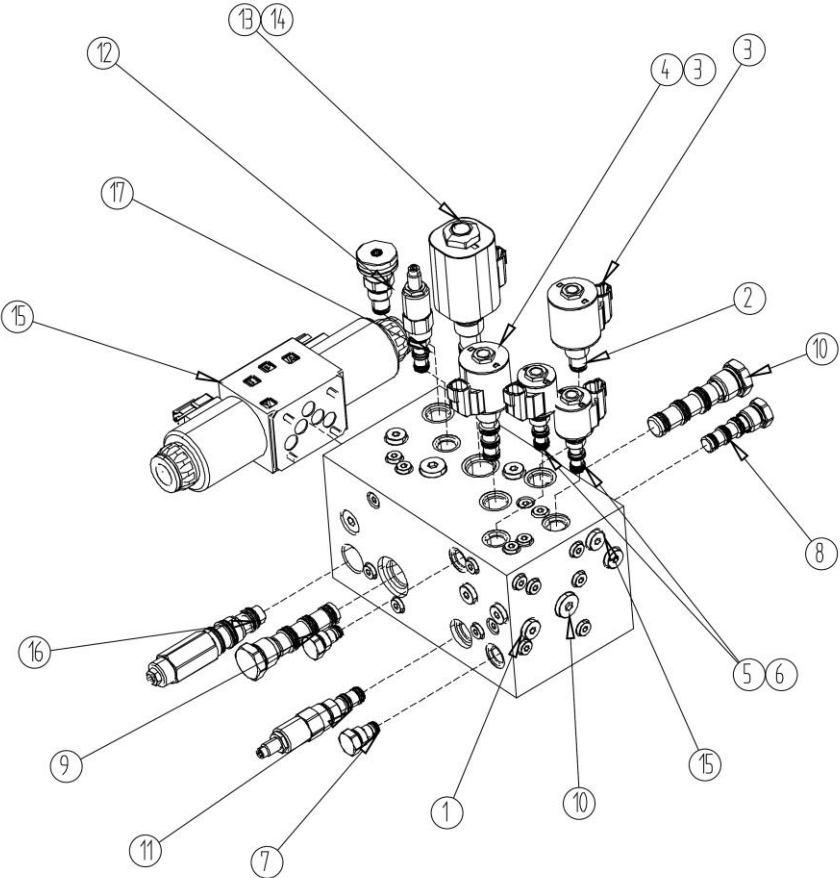
Lifting control valve assembly



Key	Part No.	Description	Spare parts Y/N	Qty	Remarks
1	4120704542001	Valve block st5115-a00am	Y	1	
2	4120704542002	Valve	Y	1	
3	4120001573003	Solenoid valve pv72-30a-0-n-0, for controlling each operation speed	Y	1	
4	4120704053012	Coil 4301212	Y	1	
5	4120703335003	On-off solenoid valve sv10-34-0-n-0, for controlling lifting operation	Y	1	
6	4120001573010	Coil 4303712	Y	1	
7	4120703335002	Relief valve rvs0.s10.0w.250, for controlling total pressure	Y	2	
8	4120001573006	Flow valve fr08-20f-0-n/m0.4, for giving priority to ensuring steering flow	Y	1	
9	4120001573006	Flow valve fr08-20f-0-n/m0.4, for giving priority to ensuring steering flow	Y	1	
10	4120703639007	Solenoid valve sv08-58c-0-n-0, for controlling steering operation	Y	1	
11	4120001571010	Coil 4303612	Y	5	
12	4120001490007	Check valve stcv08-0-000a, for controlling inlet flow direction of 2-speed motor	N	1	
13	4120001571009	Solenoid valve sv08-35-0-n-0, for controlling floating operation	Y	3	

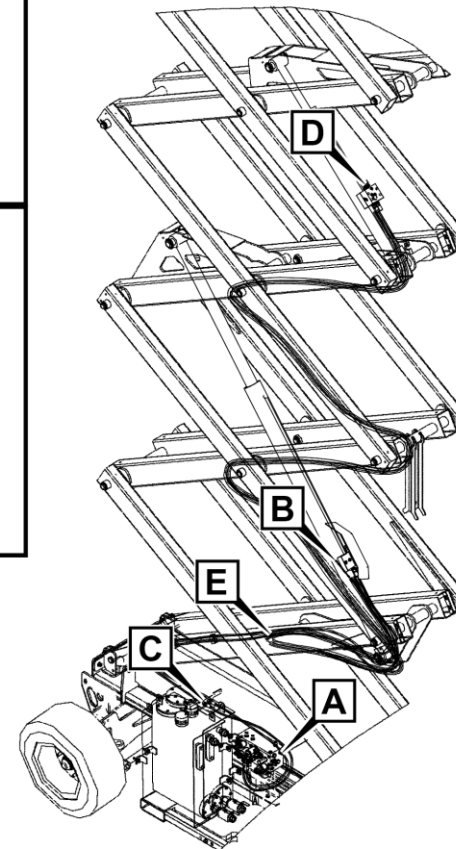
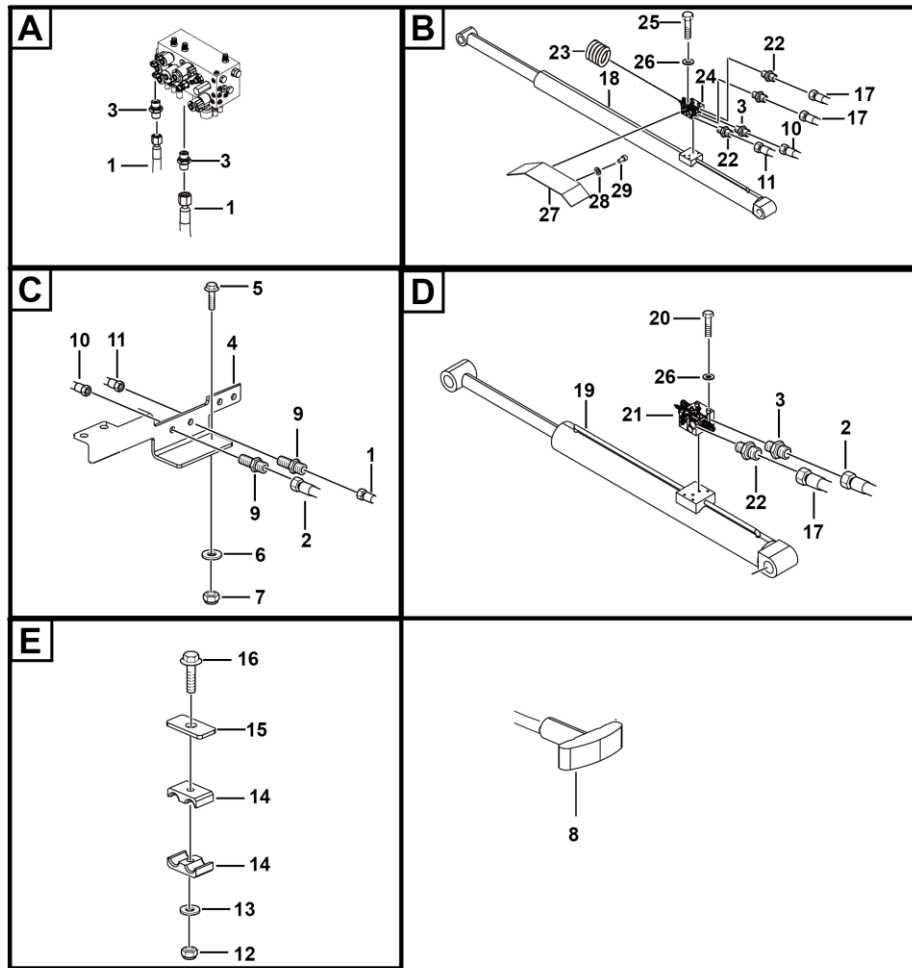


Travel control valve st5116-ab0a



Key	Part No.	Description	Spare parts Y/N	Qty	Remarks
1	4120704543001	Valve block st5116-a000m	Y	1	
2	4120704543002	Solenoid valve sv10-24-0-n-0, for operating front motor	Y	1	
3	4120001573010	Coil 4303712	Y	2	
4	4120704543003	Solenoid valve sv10-42-0-n-0, for drive control	Y	1	
5	4120001998002	Solenoid valve sv08-31-0-n-0, for high/low speed control	Y	2	
6	4120001571010	Coil 4303612	Y	2	
7	4120001490007	Check valve stcv08-0-000a, for controlling inlet flow direction of 2-speed motor	N	2	
8	4120704543004	Flow divider/combiner fd50-45-0-p-66, for distributing front motor flow as required	Y	1	
9	4120001571003	Flow divider/combiner fd52-45-0-p-66, for distributing rear motor flow as required	Y	1	
10	4120704543005	Flow divider/combiner fd52-45-0-p-62, for distributing front and rear motor flow as required	Y	1	
11	4120704543006	Pressure reducing valve pr10-32a-0-n-8/m35, for brake and speed governor pressure control	Y	1	
12	4120704543007	Throttle valve nv10-20b-0-n, for controlling the flow of front axle motor	Y	1	
13	4120704543008	Solenoid valve sv12-24-0-n-0, for high-speed oil inlet	Y	1	
14	4120704053012	Coil 4301212	Y	1	
15	4120704543009	Solenoid valve sdke-1711-xk12dc, for controlling travel direction	Y	1	
16	4120704543010	Balance valve c000d210040200a, for preventing braking impact	Y	1	
17	4120703335005	Two-way relief valve cr08-38a-0-n-30, for limiting travel pressure	Y	1	

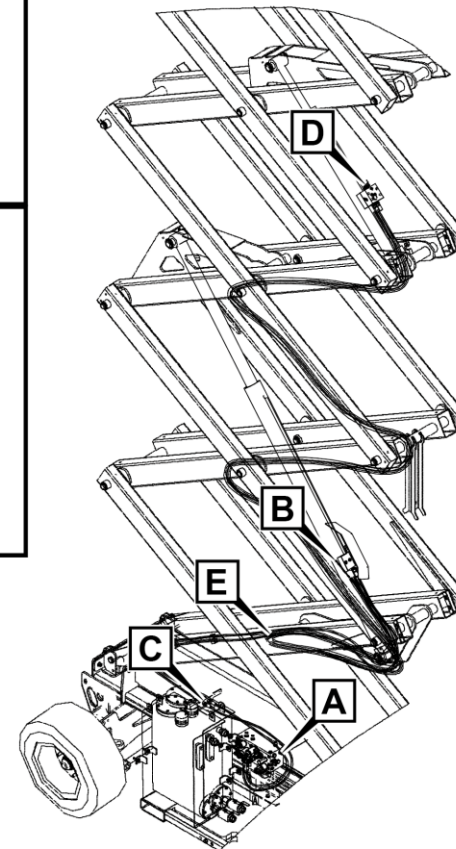
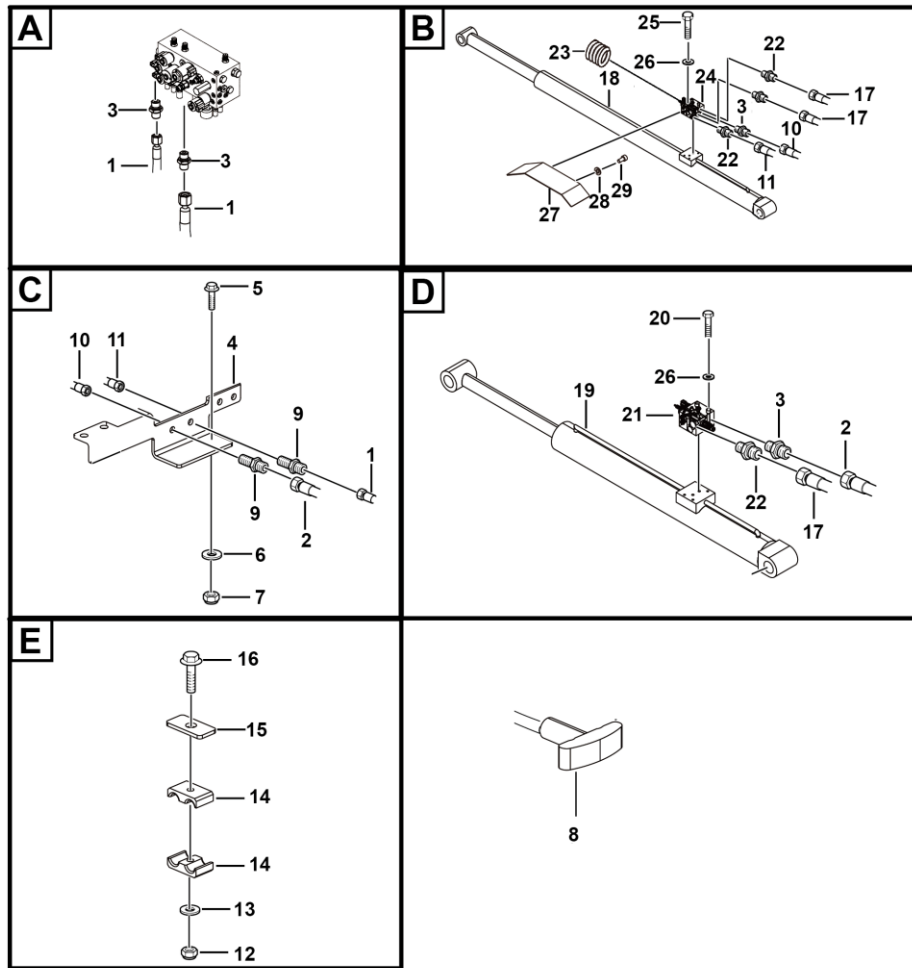
Hydraulic lifting system



L2400-2508000438.S1C1

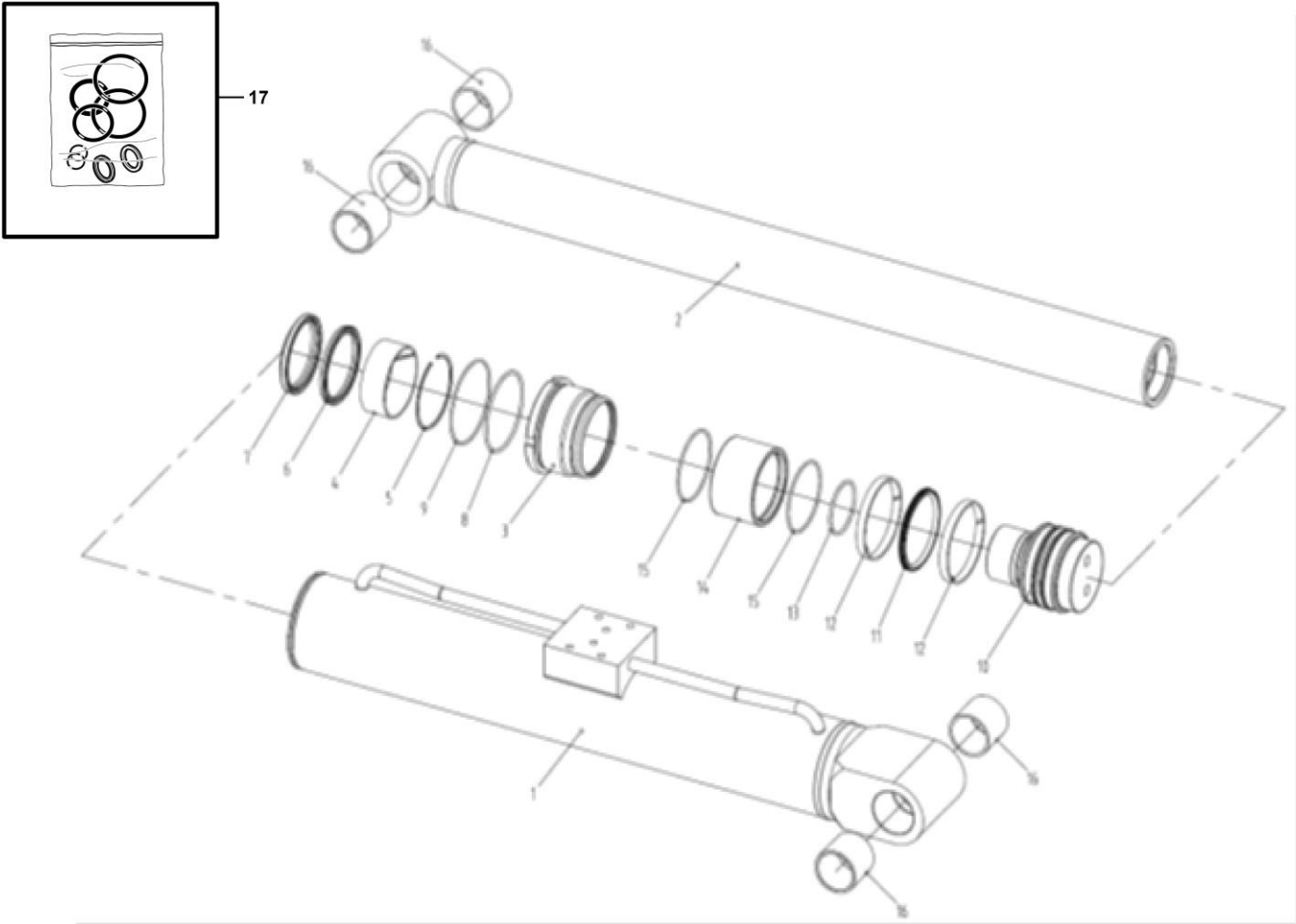
Key	Part No.	Description	Spare parts Y/N	Qty	Remarks
1	4120705696	Hose fc402caca121206-1480, control valve	Y	2	
2	4120705976	hose fc402caca101005-10000, upper cylinder valve block-lower cylinder valve block	Y	1	
3	4120001224	Fitting ge12lredomdcf	Y	5	
4	25080001462	Forming (stamping, etc.), horn mounting plate	Y	1	
5	4011010706	Bolt gb5783-m10*40flznyc-8.8-480	Y	2	
6	4015010339	Washer gb97.1-10flznyc-300hv-480	Y	2	
7	4013010289	Nut gb6170-m10flznyc-8-480	Y	2	
8	25080006583	Cable assembly, brake	Y	1	
9	4120704914	Bulkhead fitting sv12lomdcf	Y	2	
10	4120705698	hose fc402caca121005-3700, lower cylinder valve block	Y	1	
11	4120707233	Hose assembly	Y	1	
12	4013010297	Nut gb889.1-m8flznyc-8-480	Y	3	
13	4015010280	Washer gb97.1-8flznyc-480	Y	3	
14	25080002611	Pipe clamp, for fixing hose	Y	6	
15	25080003981	Pressure plate, for fixing pipe clamp	Y	3	
16	4011011048	Bolt gb12-m8x50flznyc-8.8-480	Y	3	
17	4120708241	Pipe fc402caca121206-10000	Y	1	
18	4120704494	Lower lift cylinder 76.2*88.9*1555*1914	Y	1	
19	4120704496	Upper lift cylinder 76.2*88.9*493*1100	Y	1	
20	4014010232	Bolt gb5782-m8*70flznyc-12.9-480	Y	4	
21	4120706847	Upper cylinder valve block st5243-ab0a	Y	1	
22	4120001165	Fitting ge10lr3/8edomdcf	Y	6	

Hydraulic lifting system



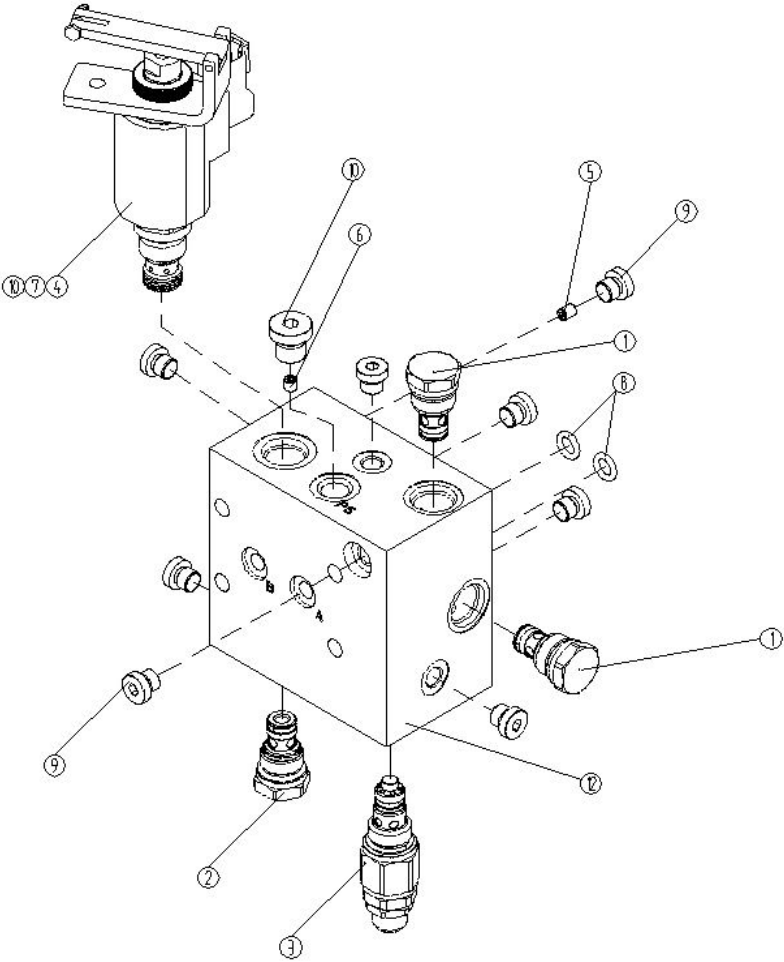
L2400-2508000438.S1C1

Upper lift cylinder 76.2*88.9*493*1100



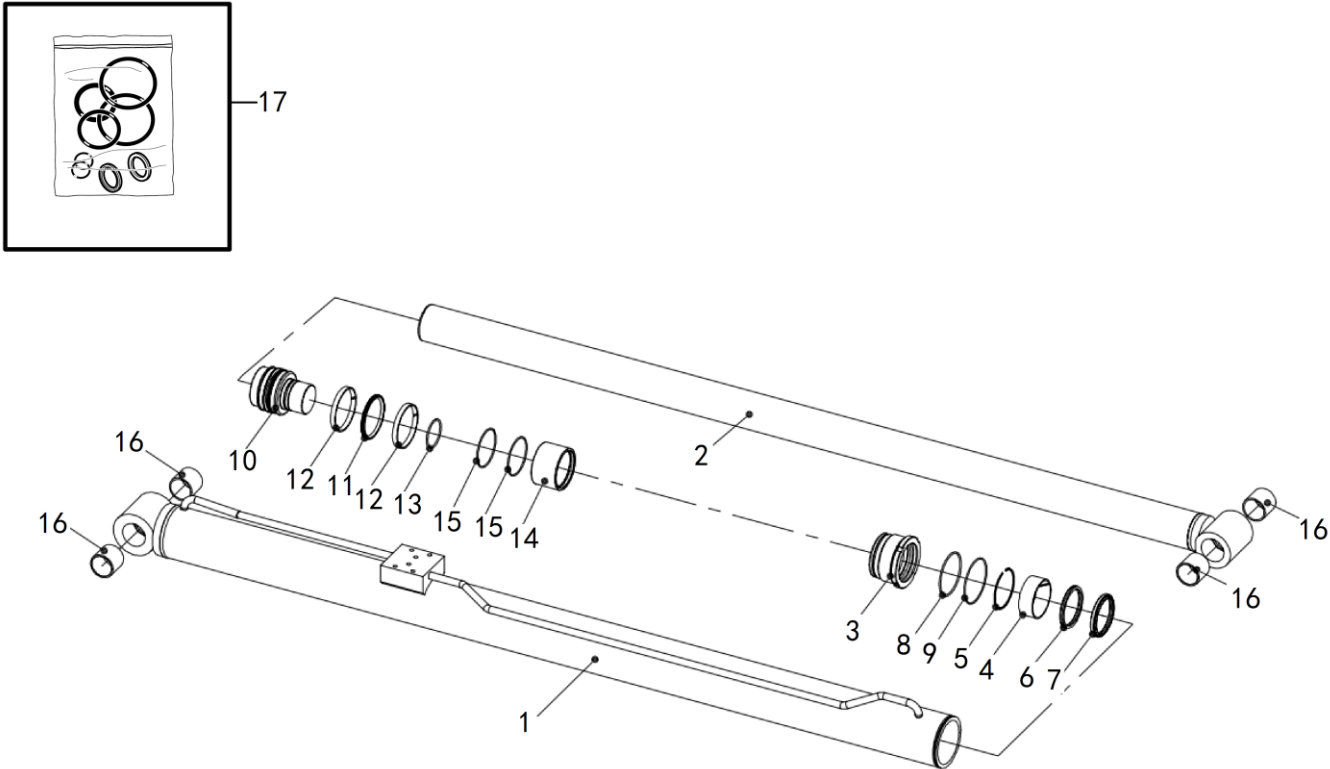
Key	Part No.	Description	Spare parts Y/N	Qty	Remarks
1	4120704496006	Cylinder tube assembly	Y	1	
2	4120704496007	Piston rod assembly	Y	1	
3	4120704496008	Cylinder cover	Y	1	
4	4120704496009	Bushing 24s275301	Y	1	
5	4120704496010	Rroundwire snap ring for hole 24c090190	Y	1	
6	4120703503008	Seal-piston rod 24f207503	N	1	
7	4120703503010	Seal-dustproof 24d507502	N	1	
8	4120703503011	O-ring 24k10850a	N	1	
9	4120703503013	O-ring 24k309001	N	1	
10	4120704496011	Piston 24a380760	Y	1	
11	4120704494001	Seal-piston 24p909001	Y	1	
12	4120704494002	Support ring 24g20902c	Y	2	
13	4120703499009	O-ring 24k10550a	N	1	
14	4120704496012	Spacer 24a352300	Y	1	
15	4120703497008	O-ring 24k307501	N	2	
16	4120704496013	Shaft sleeve 24c046090	Y	4	
17	4120704496001	Lift cylinder seal kit 24a301310s	Y	1	

Lower lift cylinder control valve st4639-ab0d



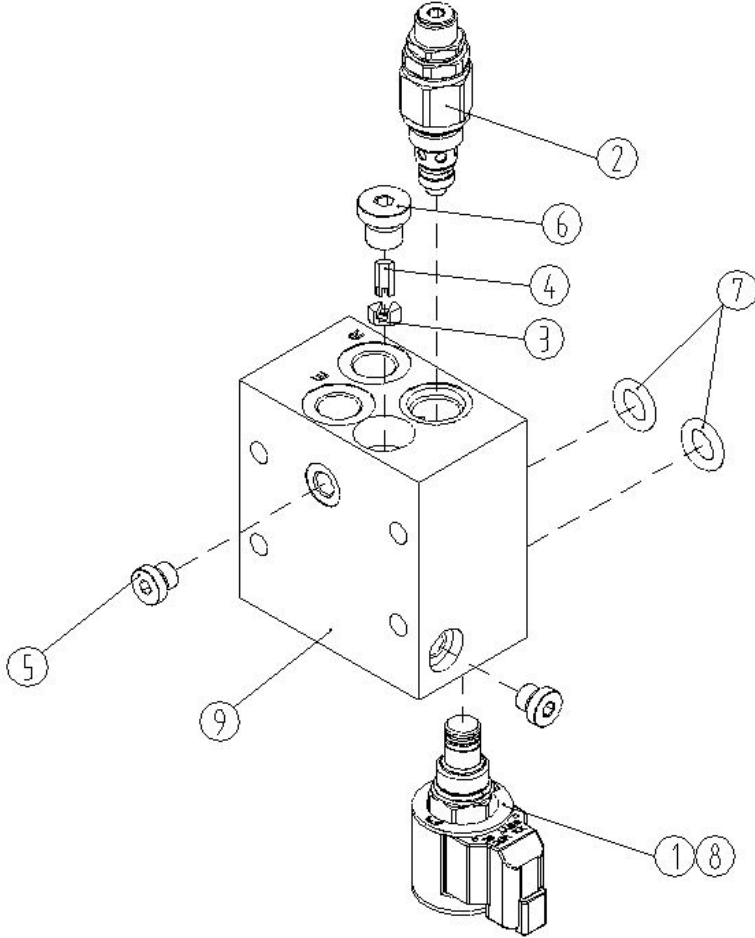
Key	Part No.	Description	Spare parts Y/N	Qty	Remarks
1	4120001490007	Check valve stcv08-0-000a, for controlling inlet flow direction of 2-speed motor	N	2	
2	4120703744003	Check valve stcv08-0-002a	Y	1	
3	4120001901001	Relief valve strv08-b-120a	Y	1	
4	4120706850001	Proportional solenoid valve pj16084b0	Y	1	
5	4120001159017	M6 damper stty002-1.8	Y	1	
6	4120001159010	M6 damper stty002-0.6	Y	1	
7	4120703742011	Emergency mechanism stty039	Y	1	
8	4120002399	O-ring 10.77*2.62	Y	2	
9	4129900116002	Plug 4bn-02wd	Y	8	
10	4120002398	Plug 4mn-14wd	Y	1	
11	4120706850002	Coil 3p16tdd12	Y	1	
12	4120706849001	Valve block st5242-a00am	Y	1	

Lower lift cylinder



Key	Part No.	Description	Spare parts Y/N	Qty	Remarks
1	4120704494009	Cylinder tube assembly 24a334110	Y	1	
2	4120704494010	Piston rod assembly 24a312590	Y	1	
3	4120704494011	Cylinder cover 24a370510	Y	1	
4	4120704494012	Bushing 24s275301	Y	1	
5	4120704494013	Rroundwire snap ring for hole 24c090190	Y	1	
6	4120703503008	Seal-piston rod 24f207503	N	1	
7	4120703503010	Seal-dustproof 24d507502	N	1	
8	4120703503011	O-ring 24k10850a	N	1	
9	4120703503013	O-ring 24k309001	N	1	
10	4120704494014	Piston 24a380760	Y	1	
11	4120704494001	Seal-piston 24p909001	Y	1	
12	4120704494002	Support ring 24g20902c	Y	2	
13	4120703499009	O-ring 24k10550a	N	1	
14	4120704494015	Spacer 24a352300	Y	1	
15	4120703497008	O-ring 24k307501	N	2	
16	4120704494016	Shaft sleeve 24c046090	Y	4	
17	4120704494003	Lift cylinder seal kit 24a301320s	Y	1	

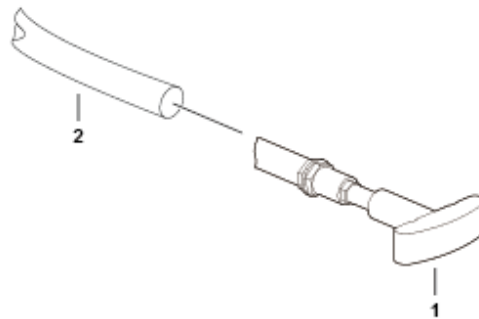
Upper cylinder valve block st5243-ab0a



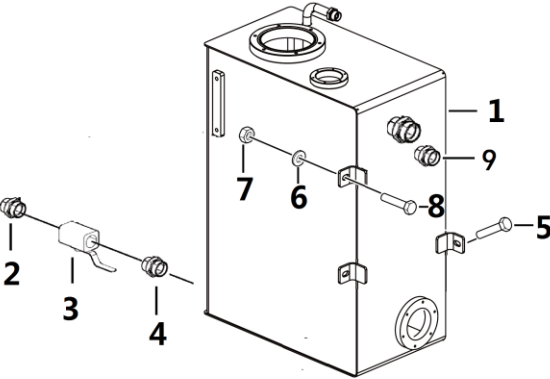
Key	Part No.	Description	Spare parts Y/N	Qty	Remarks
1	4120704028002	Solenoid valve sp08-20-0-n-0, lowering reversing fork frame and controlling lowering speed	Y	1	
2	4120001901001	Relief valve strv08-b-120a	Y	1	
3	4120705691002	Damper stty010-0.9	Y	1	
4	4120704028005	Damper ejector rod stty038	Y	1	
5	4129900116002	Plug 4bn-02wd	Y	1	
6	4190001419	Plug 4bn-04wd	Y	1	
7	4120703337003	O-ring 10.77*2.62 nbr 70sh	Y	2	
8	4120001571010	Coil 4303612	Y	1	
9	4120706847001	Valve block st5243-a00am	N	1	



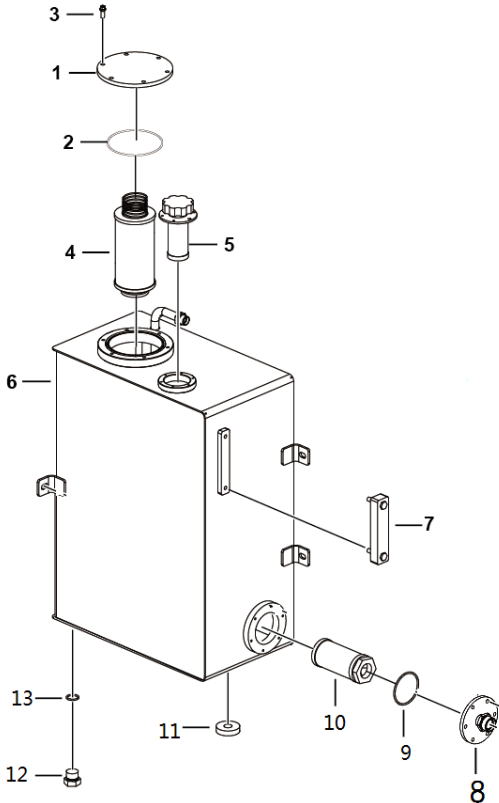
Wire assembly



Hydraulic tank



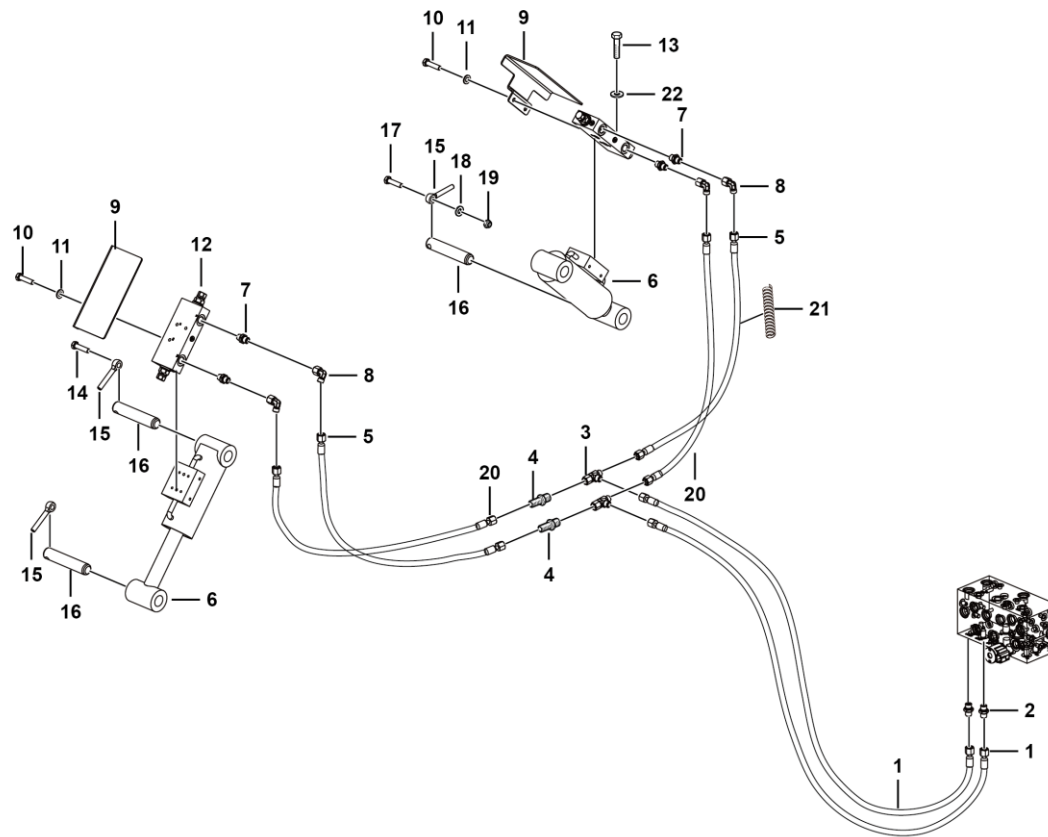
Hydraulic tank distribution assembly



L2200-2510000346.S

Key	Part No.	Description	Spare parts Y/N	Qty	Remarks
1	25100002301	Weldment,oil tank cover	Y	1	
2	4030000633	O-ring gb3452.1-128*3.55g	Y	1	
3	4011010966	Bolt gb16674-m8*20flznyc-8.8-480	Y	12	
4	4120000304	Oil return filter element	Y	1	
5	4120001427	Air cleaner ef2-32	Y	1	
6	25100002353	Weldment,tank weldment	Y	1	
7	4120706260	Level gauge ywz-350t	Y	1	
8	25100002321	Weldment, suction flange assembly	Y	1	
9	4030000134	O-ring gb3452.1-100*3.55g	Y	1	
10	4120001891	Suction filter wu-100*180-j	Y	1	
11	4120000669	Ring magnet lg03-ct58*20*13	Y	1	
12	4041001057	Screw plug lgb135-02732	Y	1	
13	4041001264	O-ring lgb168-22331	Y	1	

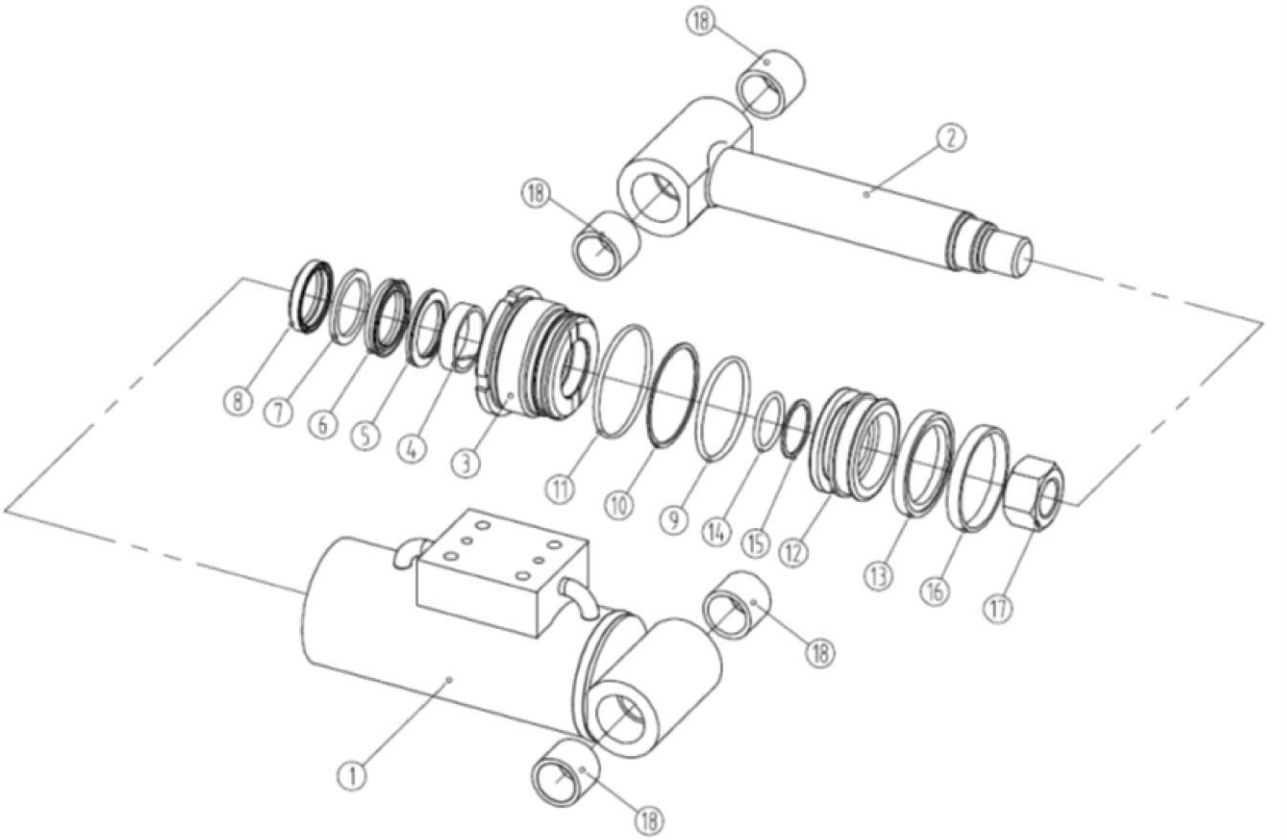
Axle swing hydraulic assembly



L2600-2511000012.S1c

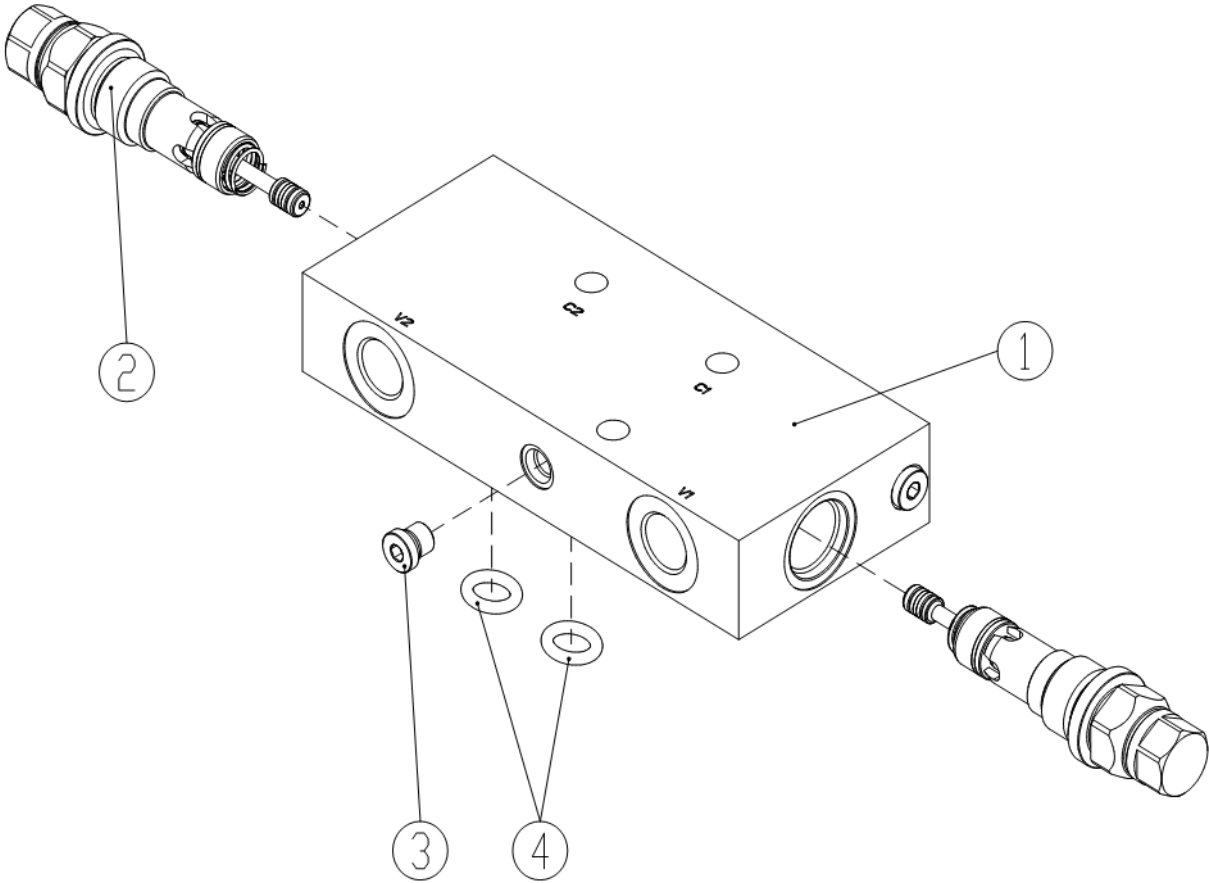
Key	Part No.	Description	Spare parts Y/N	Qty	Remarks
1	4120002589	Hose j20411-14-04tz*scp3-04*2000, lift control valve-tee fitting	Y	2	
2	4120001368	Fitting, hydraulic 1cb-14-04wd	Y	2	
3	4190001020	Tee fitting cc-14	Y	2	
4	4120001813	Bulkhead fitting 6c-14ln	Y	2	
5	4120002233	Hose j20411-14-04tz*scp3-04*650, tee fitting-right floating balance valve	Y	2	
6	4120002494	Floating cylinder	Y	2	
7	4120001495	Fitting, hydraulic 1cb-14-06wd	Y	4	
8	4120000868	Right-angle fitting 2c9-14z	Y	4	
9	25110000141	Forming (stamping, etc.), floating position valve mounting plate	Y	2	
10	4011010746	Bolt gb5783-m8*12flznyc-8.8-480	Y	4	
11	4015010280	Washer gb97.1-8flznyc-480	Y	4	
12	4120002534	Floating balance valve st8107-a000	Y	2	
13	4011010948	Bolt gb5783-m8*45flznyc-10.9-480	Y	8	
14	4011010722	Bolt gb5783-m10*25flznyc-8.8-480	Y	2	
15	25200006221	Pin, 10*58.5	Y	4	
16	25110000151	Shaft $\varnothing 25 \times 130$	Y	4	
17	4011010706	Bolt gb5783-m10*40flznyc-8.8-480	Y	2	
18	4015010339	Washer gb97.1-10flznyc-300hv-480	Y	2	
19	4013010296	Nut gb889.1-m10flznyc-8	Y	2	
20	4120002219	Hose j20411-14-04tz*scp3-04*635, tee fitting-right floating balance valve	Y	2	
21	4120001986	Hose sheath pg-050 (300)	Y	4	
22	25080002881	M8 hard gasket, 16*8.5*3	Y	8	

Floating cylinder

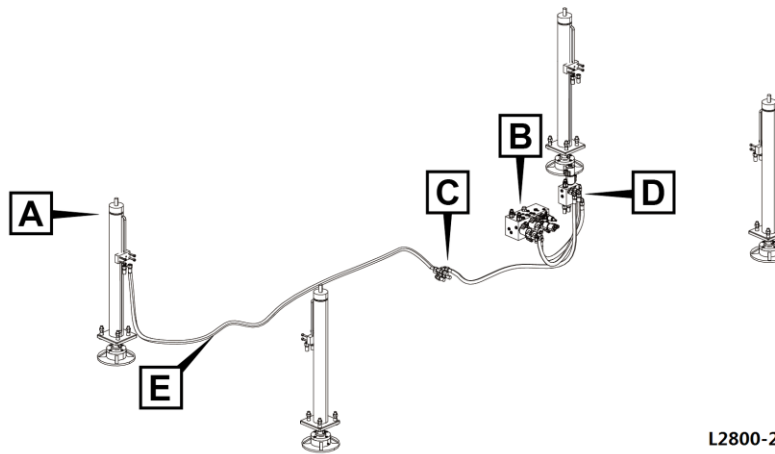
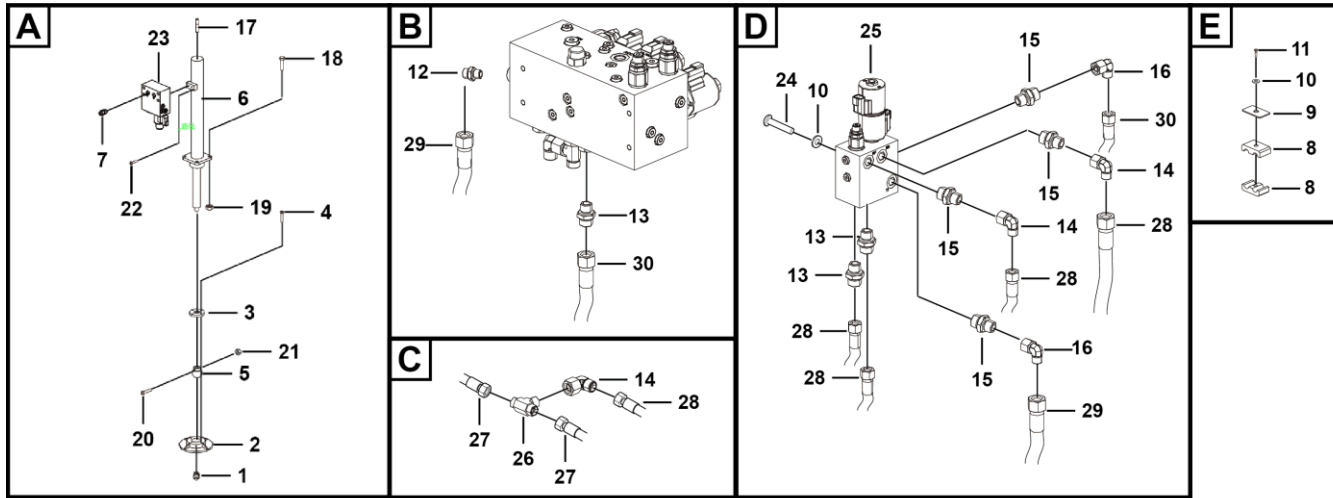


Key	Part No.	Description	Spare parts Y/N	Qty	Remarks
1	4120002494010	Cylinder tube assembly 24a332040	Y	1	
2	4120002494011	Piston rod assembly 24a311220	Y	1	
3	4120002494012	Cylinder cover 24a370220	Y	1	
4	4120002494013	Support ring 24g303522	Y	1	
5	4120002494014	Seal-buffer 24h003504	Y	1	
6	4120002494015	Seal-piston rod 24f203503	Y	1	
7	4120002494016	Snap ring-u ring 24e00352c	Y	1	
8	4120002494017	Seal-dustproof	Y	1	
9	4120002494018	O-ring 24k10580a	Y	1	
10	4120002494019	Snap ring -o-ring 24m10630c	Y	1	
11	4120002494020	O-ring 24k306501	Y	1	
12	4120002494021	Piston 24a380270	Y	1	
13	4120002494022	Seal-piston 24p206302	Y	1	
14	4120002494023	O-ring 24k10300a	Y	1	
15	4120002494024	Snap ring-o-ring 24m10350c	Y	1	
16	4120002494025	Support ring 24g206315	Y	1	
17	4120002494026	Nut 401800008	Y	1	
18	4120002494027	Shaft sleeve 24c046100	Y	1	

Floating balance valve st8107-a000



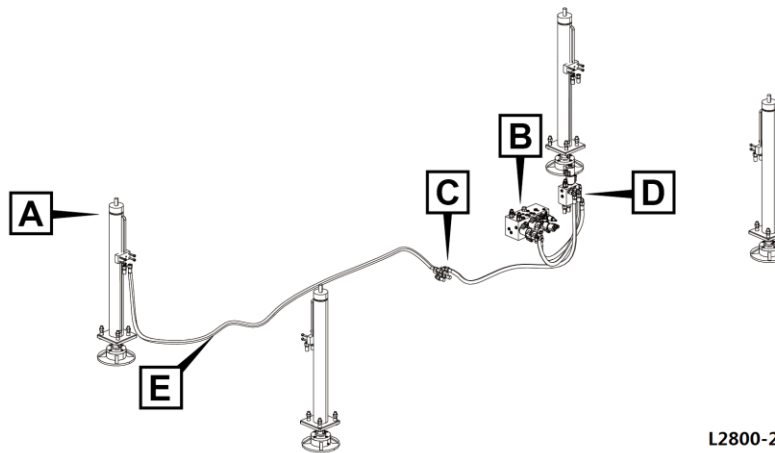
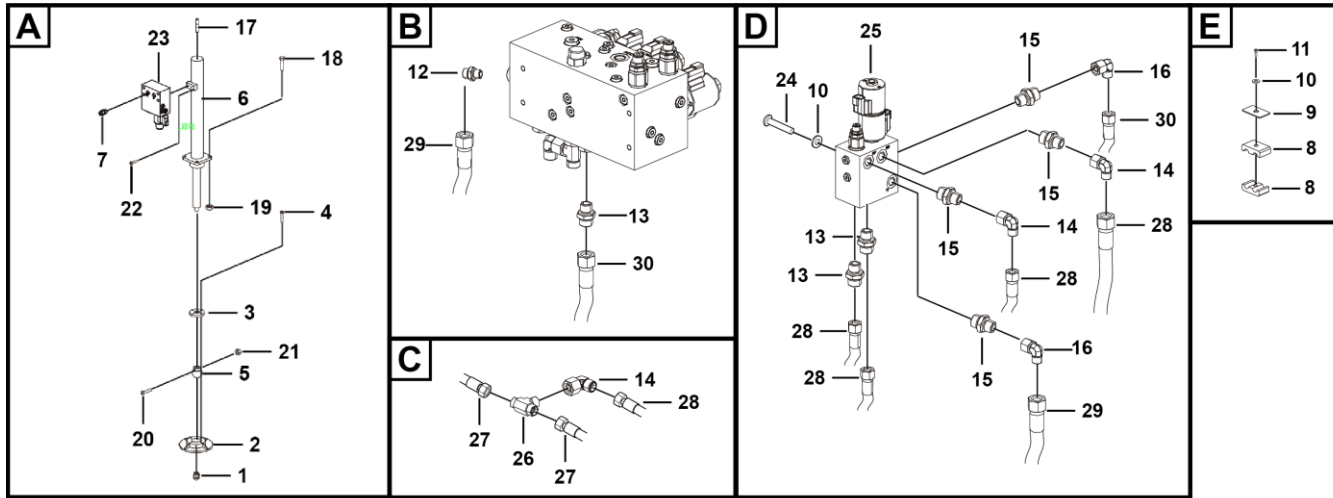
Outriggers system



L2800-2513000066.S1B1

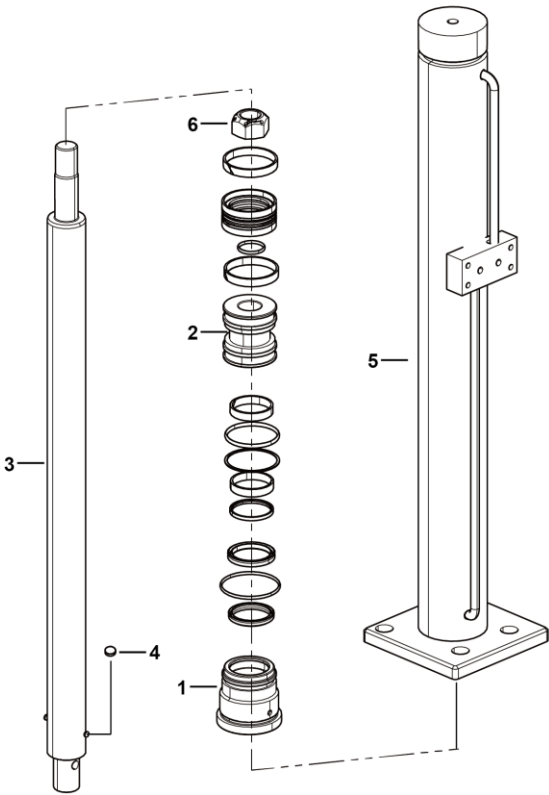
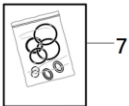
Key	Part No.	Description	Spare parts Y/N	Qty	Remarks
1	4030000535	Grease fitting jb7940.1-m6	Y	4	
2	25130000561	Weldment, outrigger cylinder support	Y	4	
3	25130000531	Ball joint pressure plate, $\phi 107.5$	Y	4	
4	4014010246	Screw gb70.1-m8*20flznyc-8.8-480	Y	16	
5	25130000681	Outrigger mounting ball joint	N	4	
6	4120704011	Outrigger cylinder	Y	4	
7	4120001170	Fitting ge08lredomdcf	Y	8	
8	25130001081	Outrigger pipe clamp	Y	8	
9	25130001091	Forming (stamping, etc.), pipe clamp pressure plate	Y	4	
10	4015010280	Washer gb97.1-8flznyc-480	Y	8	
11	4011010987	Bolt gb5782-m8*45flznyc-8.8-480	Y	4	
12	4120001373	Fitting ge12lr1/2edomdcf	Y	1	
13	4120001224	Fitting ge12lredomdcf	Y	3	
14	4120001166	Fitting ew10lomdcf	Y	6	
15	4120001165	Fitting ge10lr3/8edomdcf	Y	4	
16	4129900314	Fitting ew12lomda3c	Y	2	
17	25130000081	Outrigger cylinder guide stud, m14*60	Y	4	
18	25130000511	Outrigger cylinder mounting bolt, m14*67	Y	16	
19	4013010384	Nut gb6184-m14*1.5flznyc-10-480	Y	16	
20	4014010404	Screw gb70.1-m10*60flznyc-10.9-480	Y	4	
21	4013010385	Nut gb6184-m10flznyc-10-480	Y	4	
22	4014010360	Screw gb70.1-m8*50flznyc-10.9-480	Y	16	

Outriggers system



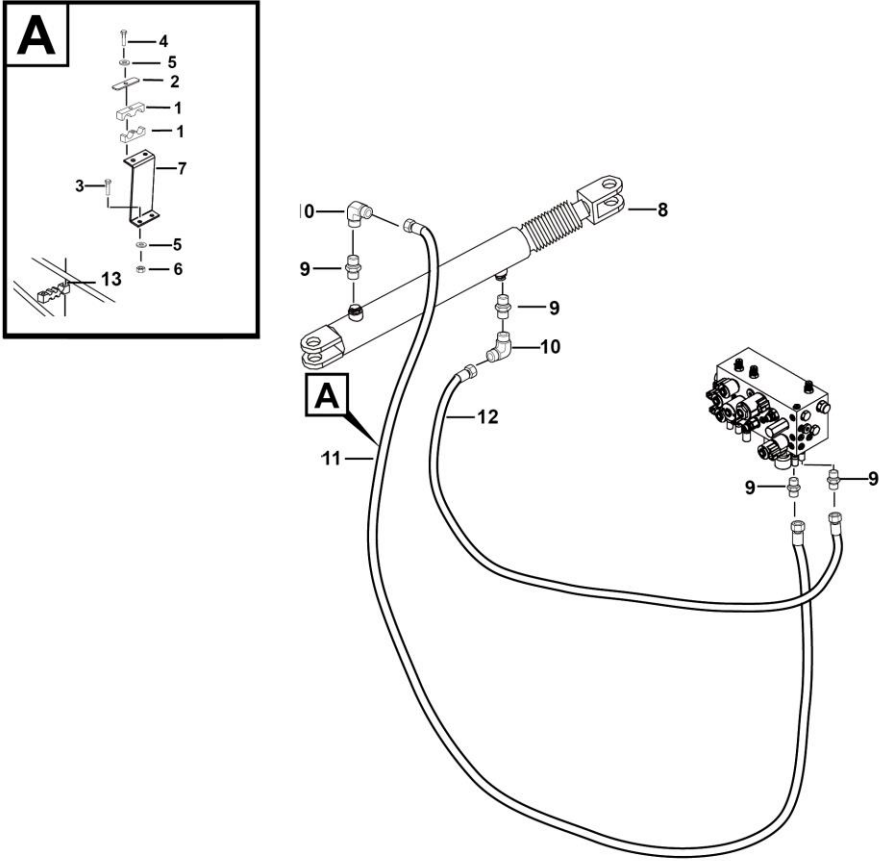
L2800-2513000066.S1B1

Outrigger cylinder



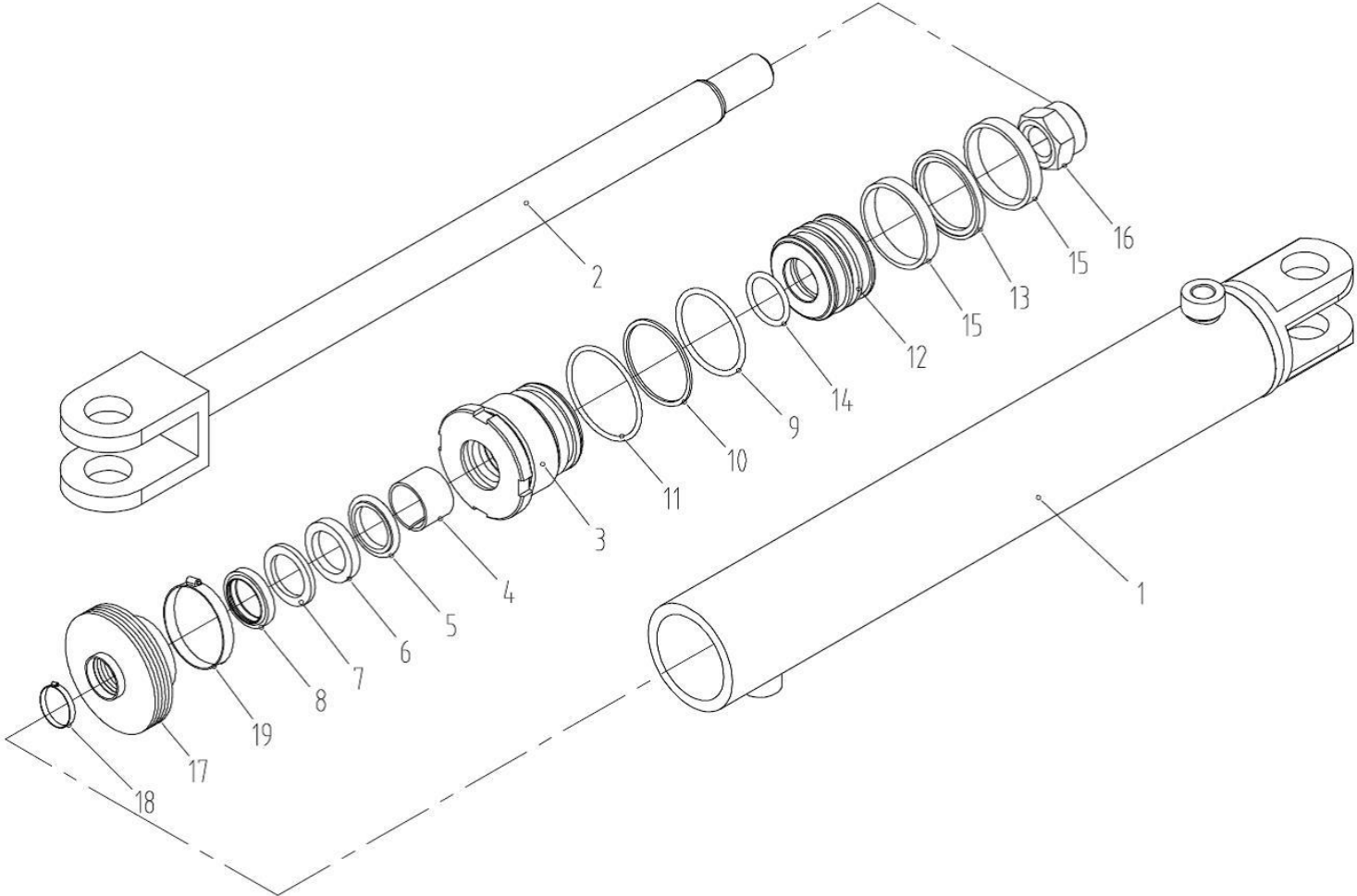
L2800-4120704011

Hydraulic steer system



Key	Part No.	Description	Spare parts Y/N	Qty	Remarks
1	25070002261	Pipe clamp 1, for fixing steer cylinder to lift control valve hose	Y	2	
2	25070002271	Plate, for fixing pipe clamp 1	Y	1	
3	4011011017	Bolt gb16674-m8*30flznyc-8.8-480	Y	2	
4	4011010995	Bolt gb5782-m8*75flznyc-8.8-480	Y	2	
5	4015010280	Washer gb97.1-8flznyc-480	Y	6	
6	4013010291	Nut gb6170-m8flznyc-8-480	Y	4	
7	25070008581	Plate	Y	1	
8	4120706354	Steer cylinder 50*25*244-530	Y	1	
9	4120001170	Fitting ge08lredomdcf	Y	4	
10	4190000698	Fitting ew08lomda3c	Y	2	
11	4120707734	Pipe fc402caca080804-1860	Y	1	
12	4120707733	Pipe fc402caca080804-2050	Y	1	
13	25070002251	Pipe clamp, for fixing steer cylinder to lift control valve hose	Y	1	

Steer cylinder 50*25*244-530



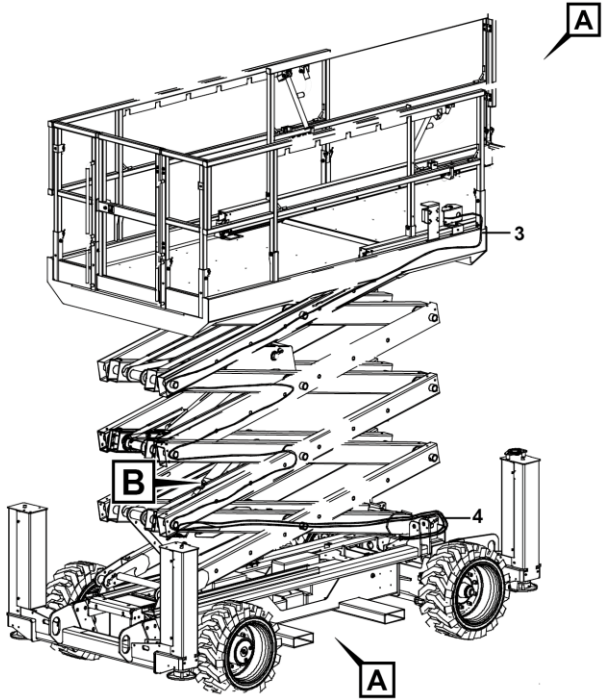
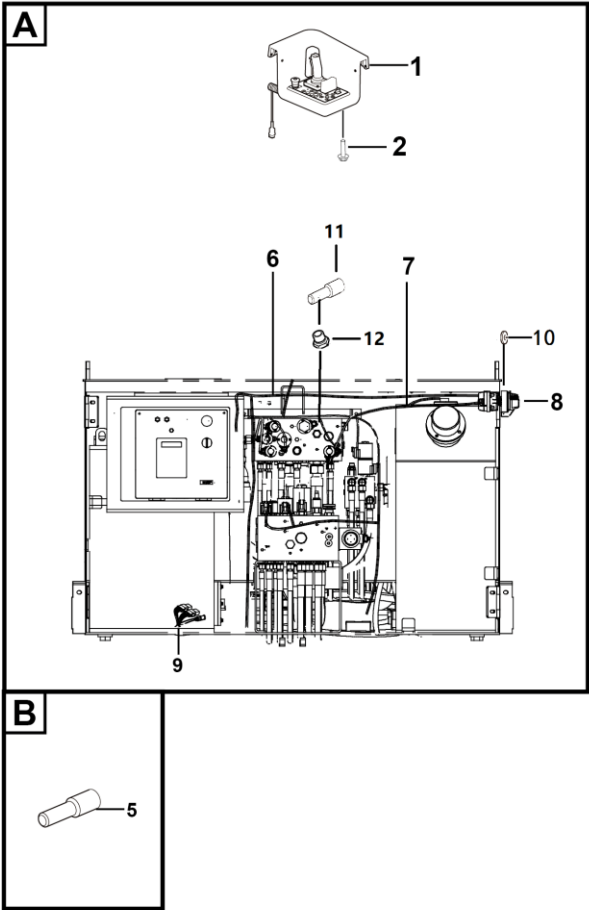
Key	Part No.	Description	Spare parts Y/N	Qty	Remarks
1	4120002495019	Cylinder tube assembly 24a332000	Y	1	
2	4120002495020	Piston rod assembly 24a311200	Y	1	
3	4120002495021	Cylinder cover 24a370210	Y	1	
4	4120002047011	Bushing 24s225201	Y	1	
5	4120002047014	Step seal 24f902501	Y	1	
6	4120706355001	Seal-piston rod 24f202503	Y	1	
7	4120002047016	Snap ring-u ring 24e00251c	Y	1	
8	4120706355002	Seal-dustproof 24d50251j	Y	1	
9	4120002047018	O-ring 24k10450a	Y	1	
10	4120002047019	Snap ring -o-ring 24m10500c	Y	1	
11	4120002047020	O-ring 24k305011	Y	1	
12	4120002495022	Piston 24a380260	Y	1	
13	4120002047022	Seal-piston 24p205002	Y	1	
14	4120002047021	O-ring 24k10250a	Y	1	
15	4120002495018	Support ring 24g205015	Y	2	
16	4120002047013	Nut-nylon 401800093	Y	1	
17	4120706354004	Sheath 24w720220	N	1	
18	4120706354002	Hose clamp 401400010	N	1	
19	4120706354003	Hose clamp 401400007	N	1	

M
ELECTRIC SYSTEM



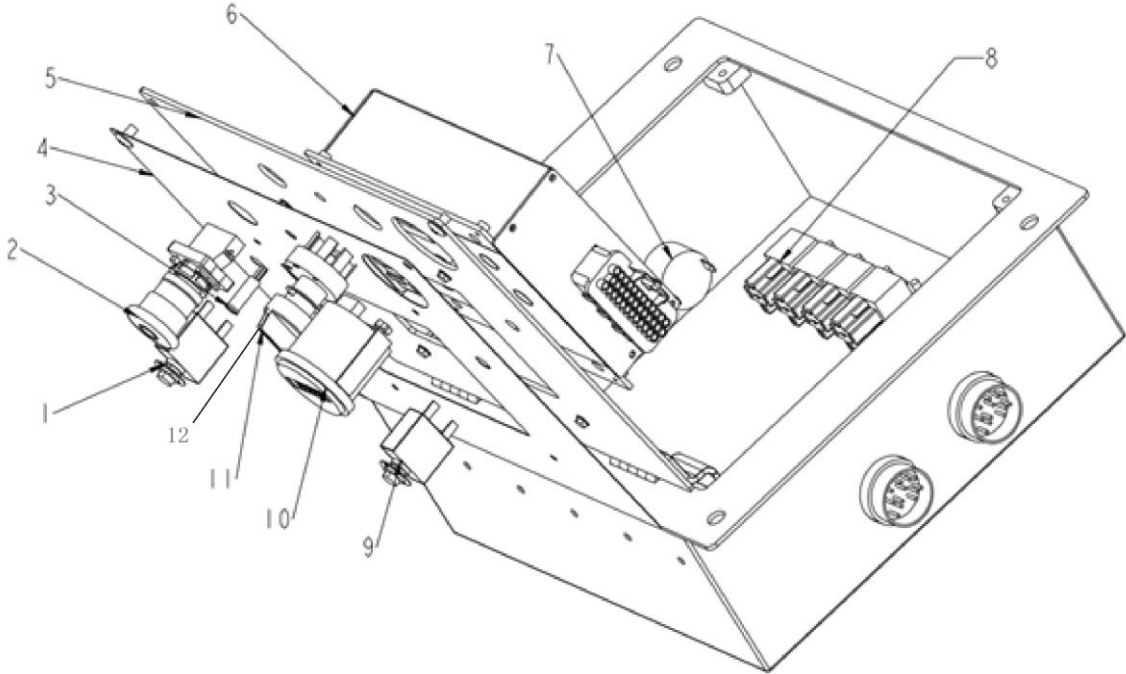
LINGONG GROUP JINAN HEAVY MACHINERY CO., LTD.

Control electric assembly



Key	Part No.	Description	Spare parts Y/N	Qty	Remarks
1	4130702377	Platform controller pcu-g2-ce	Y	1	
2	4011010754	Bolt gb16674-m6*12flznyc-8.8	Y	4	
3	25300007102	Pcu harness, main harness-platform controller	Y	1	
4	25300007113	Fork harness, pressure sensor-main harness	Y	1	
5	4130701538	Pressure sensor	Y	1	
6	25300007177	Main harness, connected to various electrical components	Y	1	
7	25300007166	Valve group harness, pcu-lift valve	Y	1	
8	4130702113	Dc power switch 75920-10	Y	1	
9	4130702364	Connector dtm04-12pa (rubber plug)	Y	1	
10	25320018291	Washer, φ18	N	1	
11	4130001234	Pressure sensor	Y	1	
12	25080009941	Transition joint g1/4-m14	Y	1	

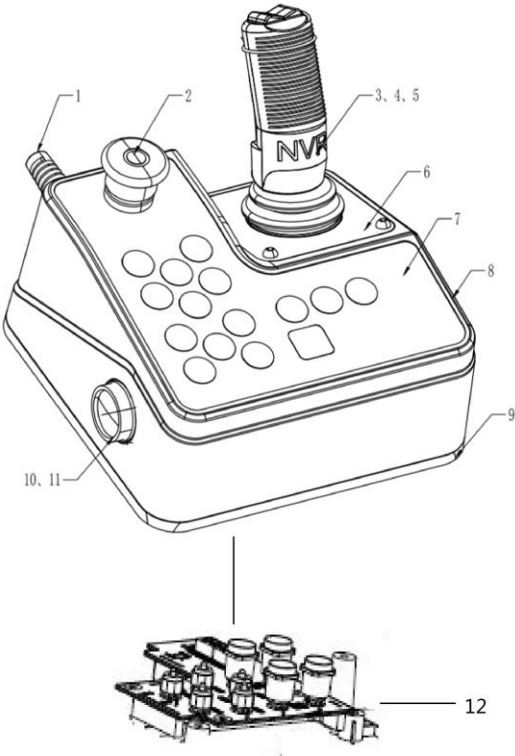
Ground control box assembly



M3100-4130701848

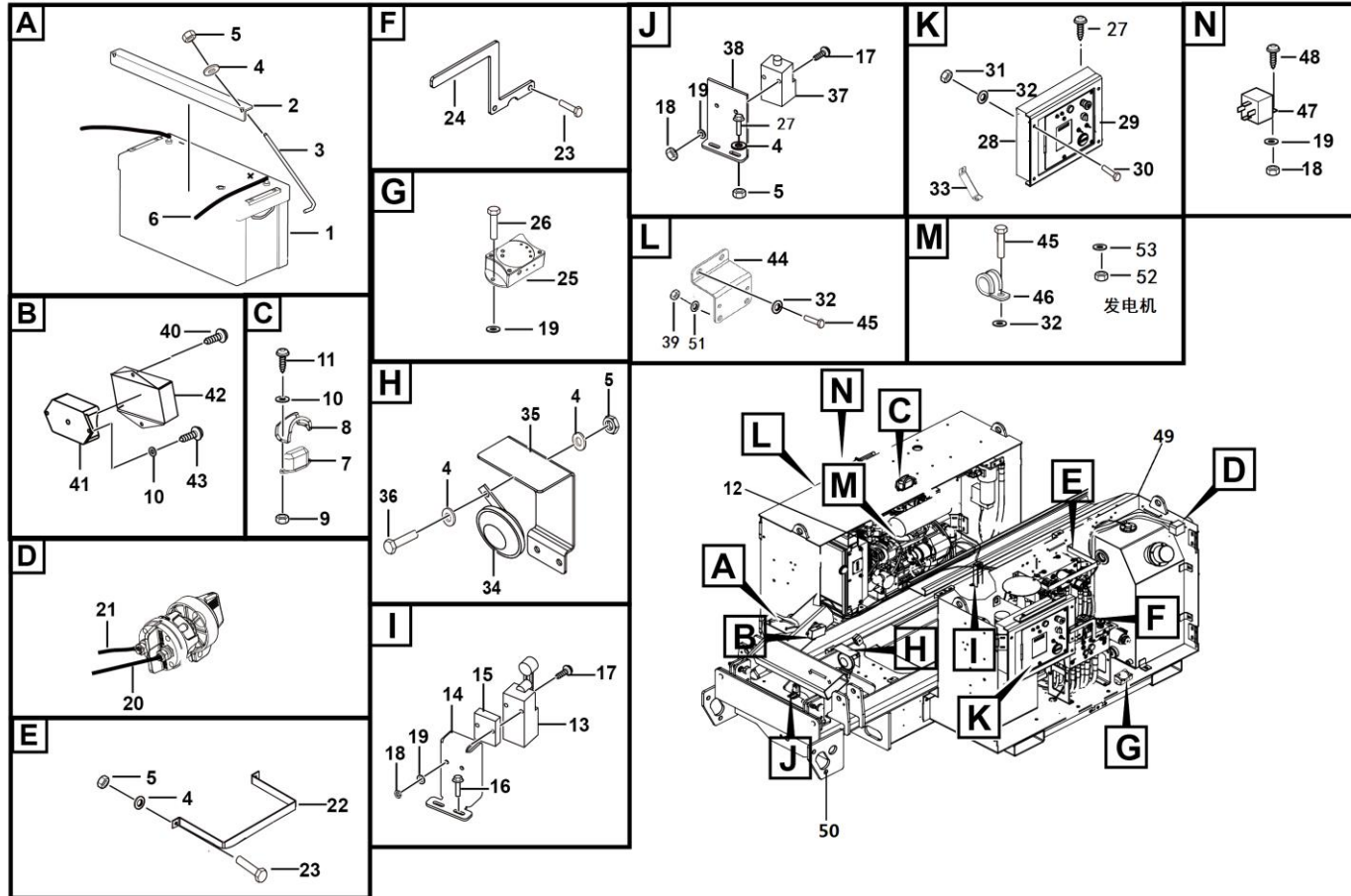
Key	Part No.	Description	Spare parts Y/N	Qty	Remarks
1	4130701636007	20a circuit breaker 10420008	Y	1	
2	4130701751007	Emergency stop switch 10420049	Y	1	
3	4130701848001	Overload indicator 10480006	Y	1	
4	4130701848002	1218d-ground control box indication panel 20020207	Y	1	
5	4130701848003	1218d-ground control box shell 20020205	Y	1	
6	4130701848004	Gcu-off-road 1848-60020221	Y	1	
7	4130701636008	Buzzer 10430003	N	1	
8	4130701636010	Relay 10450018	Y	4	
9	4130701848005	Circuit breaker 10420063	Y	1	
10	4130701636005	Timer 10480013	N	1	
11	4130701636003	Key switch 10420057 (key code 4130000723001)	Y	1	
12	4130000723001	Key assembly 89943-29	Y	1	

Platform control unit assembly



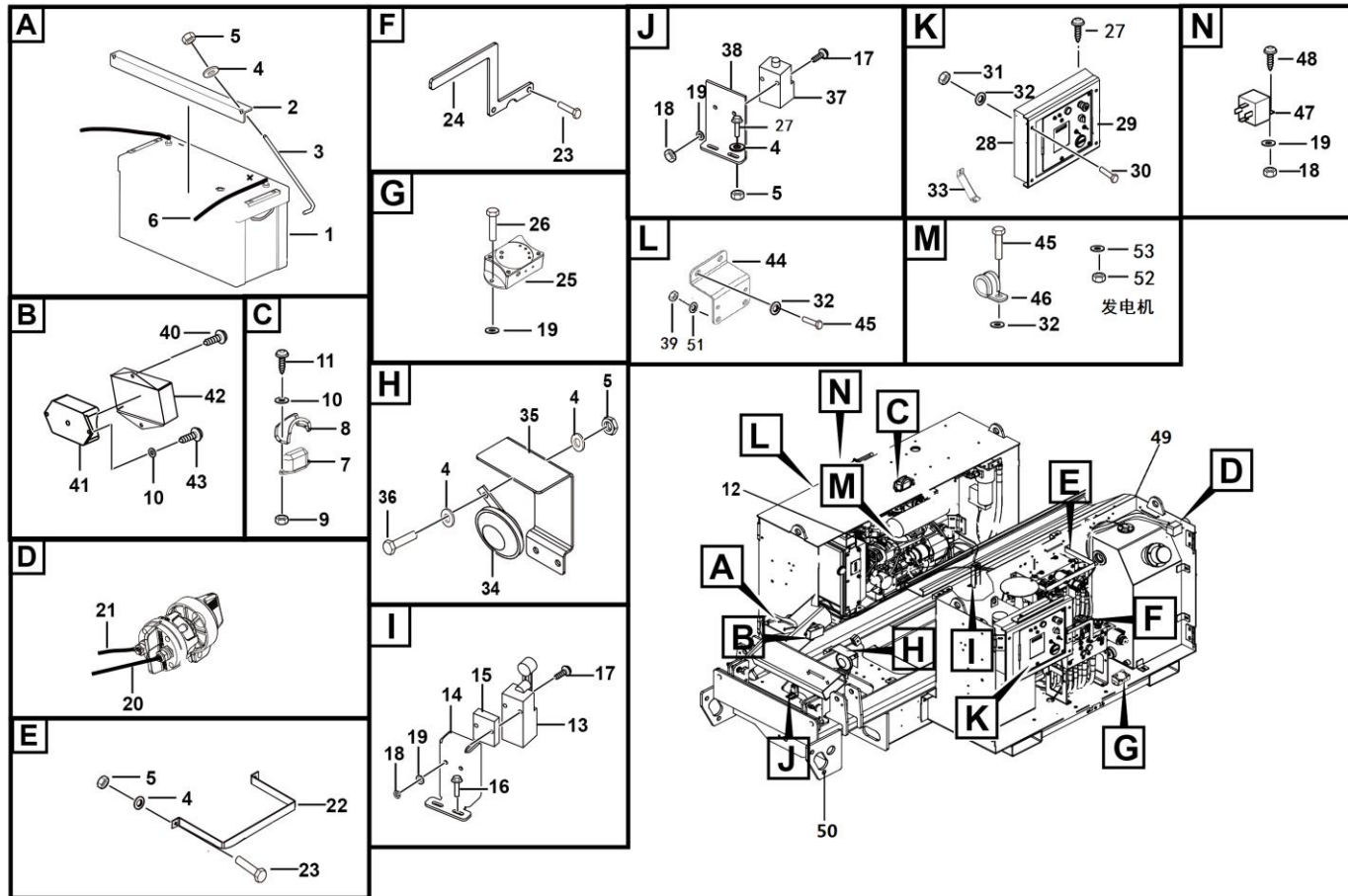
Key	Part No.	Description	Spare parts Y/N	Qty	Remarks
1	4130701751009	Spring harness10470083	N	1	
2	4130701751007	Emergency stop switch 10420049	Y	1	
3	4130701751012	Silicone sleeve for joystick 20020132	Y	1	
4	4130701751008	Hall effect joystick10480012	N	1	
5	4130701751011	Joystick adapter harness assembly 10470114	Y	1	
6	4130702313001	Joystick direction decal 20020249	Y	1	
7	4130702377001	Platform controller sticker 20020221	Y	1	
8	4130702313003	Pcu housing 20020217	Y	1	
9	4130702313004	Pcu holder 20020218	Y	1	
10	4130701636008	Buzzer 10430003	N	1	
11	4130001046015	Buzzer harness 10470100	N	1	
12	4130702313005	Pcba? ? ? 50020087	Y	1	

Chassis electric system



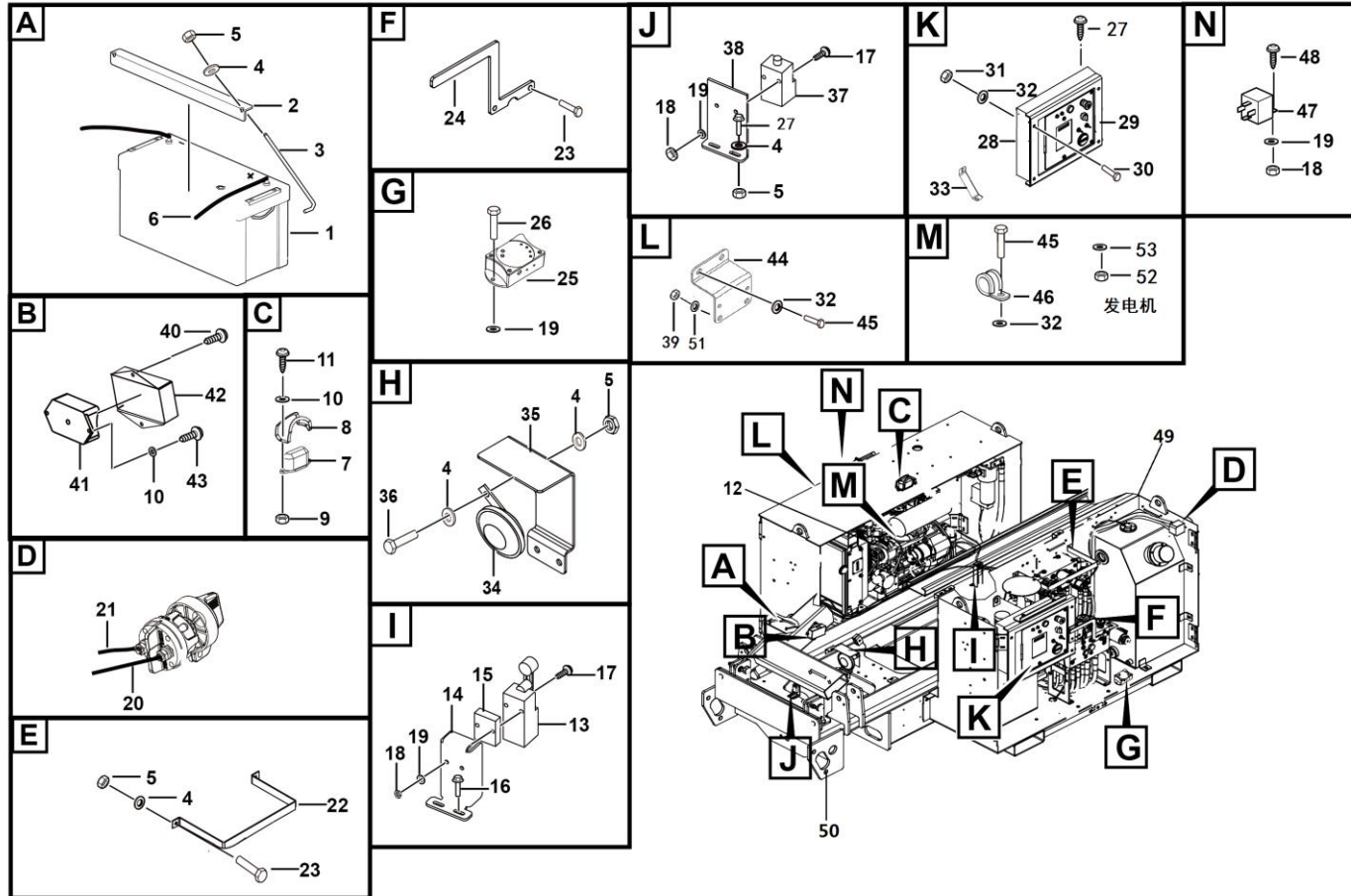
Key	Part No.	Description	Spare parts Y/N	Qty	Remarks
1	4130701833	Battery 6-qw-80r	Y	1	
2	25320011491	Weldment, locking angle steel	Y	1	
3	25320021161	Worm pole	Y	2	
4	4015010280	Washer gb97.1-8flznyc-480	Y	15	
5	4013010396	Nut gb889.1-m8flznyc-10	Y	13	
6	25320016563	Power cord p50*1600, battery positive-engine starter	Y	1	
7	4130001028	Operating indicator lte5051-12v	Y	2	
8	25320000192	Housing, operating indicator	Y	2	
9	4013010360	Nut gb889.1-m4flznyc-8-480	Y	6	
10	4015010290	Washer gb97.1-4flznyc-480	Y	16	
11	4014010121	Screw gb818-m4*20flznyc-4.8-480	Y	4	
12	25300002152	Alternator harness	Y	1	
13	4130000835	Upper limit switch xckn2118p20c	Y	1	
14	25320016591	Upper limit switch fixed plate	Y	1	
15	25320009201	Upper limit switch pad	Y	1	
16	4014010131	Screw gb70.1-m5*16flznyc-8.8-480	Y	4	
17	4014010123	Screw gb70.1-m5*40flznyc-8.8-480	Y	4	
18	4013010305	Nut gb889.1-m5flznyc-8-480	Y	8	
19	4015010283	Washer gb97.1-5flznyc-480	Y	16	
20	25320016543	Power? cord p50*3000 , power switch	Y	1	
21	25320016553	Power? cord p50*2500 , power switch	Y	1	
22	25320011452	Forming (stamping), etc., main valve top bracket	N	1	

Chassis electric system



Key	Part No.	Description	Spare parts Y/N	Qty	Remarks
23	4011011062	Bolt gb16674-m8*12flznyc-8.8-480	Y	2	
24	25320011442	Front side bracket of main valve	N	1	
25	4130001027	Tilt sensor	Y	1	
26	4014010357	Screw gb70.1-m5*12flznyc-8.8-480	Y	2	
27	4011010994	Bolt gb16674-m8*25flznyc-8.8-480	Y	4	
28	4130701848	Ground control box assembly	Y	1	
29	25320016621	Weldment, fixed plate weldment of ground control box	Y	1	
30	4011010712	Bolt gb16674-m10*30flznyc-8.8-480	Y	4	
31	4013010296	Nut gb889.1-m10flznyc-8	Y	4	
32	4015000322	Washer gb97.1-10-300hv	Y	8	
33	25320009192	Forming (stamping, etc.), supporting bracket	Y	1	
34	4130001029	Horn dc12v	Y	1	
35	25320004291	Forming (stamping, etc.), horn fixing guard plate	Y	1	
36	4011010966	Bolt gb16674-m8*20flznyc-8.8-480	Y	8	
37	4130701637	Lower limit switch	Y	1	
38	25320016672	Weldment, lower limit switch bracket weldment	Y	1	
39	4013010510	Nut gb6170-m8-8-480-304	Y	1	
40	4014010416	Screw gb818-m4*10flznyc-8.8-480	Y	2	
41	4130000734	Angle sensor sysa	Y	1	
42	25320000351	Weldment, angle sensor housing	Y	1	
43	4014010124	Screw gb818-m4*6flznyc-4.8-480	Y	2	
44	25320021151	Plate	Y	1	

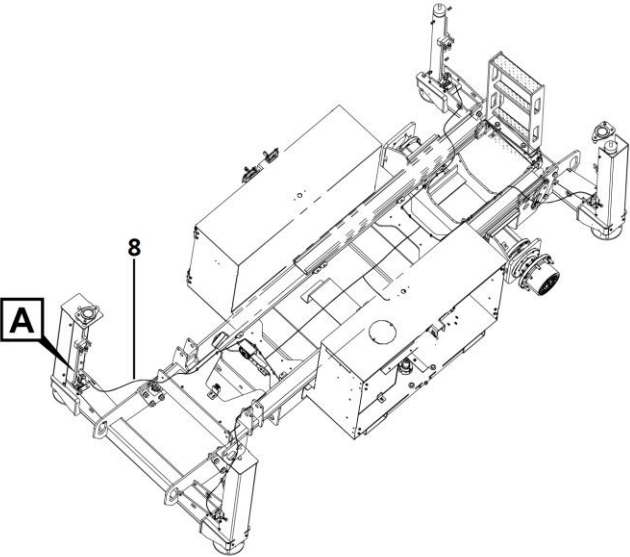
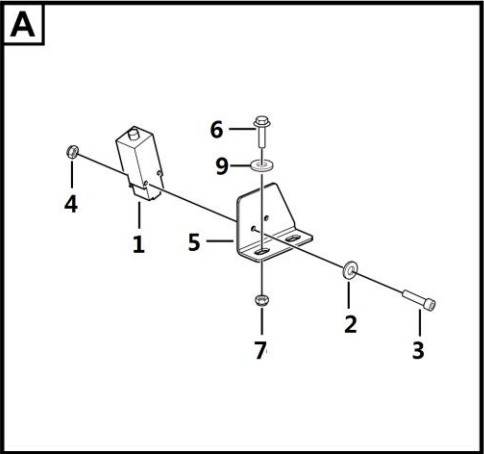
Chassis electric system



Key	Part No.	Description	Spare parts Y/N	Qty	Remarks
45	4014010107	Screw gb70.1-m10*1.25*20flznyc-10.9-480	Y	2	
46	27110102381	Clamp	Y	2	
47	4130701399	Relay	Y	1	
48	4014010113	Screw gb70.1-m5*25flznyc-8.8	Y	2	
49	25300011242	Radiator control harness	Y	1	
50	25320011811	Outrigger electric assembly	N	1	
51	4015010548	Washer gb93-8-304	Y	1	
52	4013010509	Nut gb6170-m6-8-480-304	Y	1	
53	4015010547	Washer gb93-6-304	Y	1	



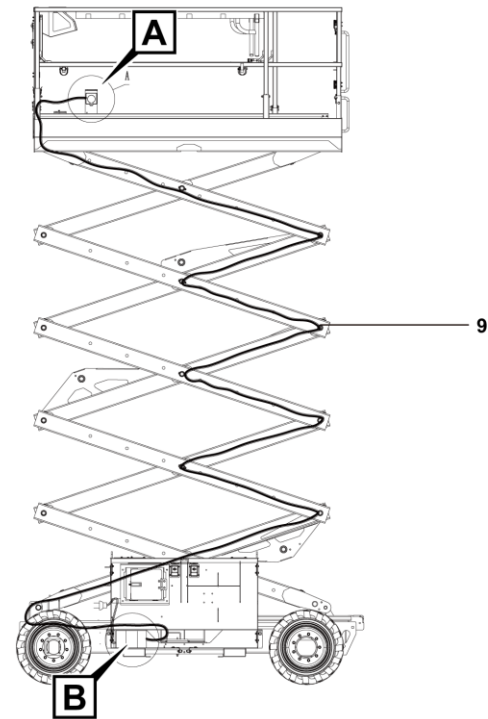
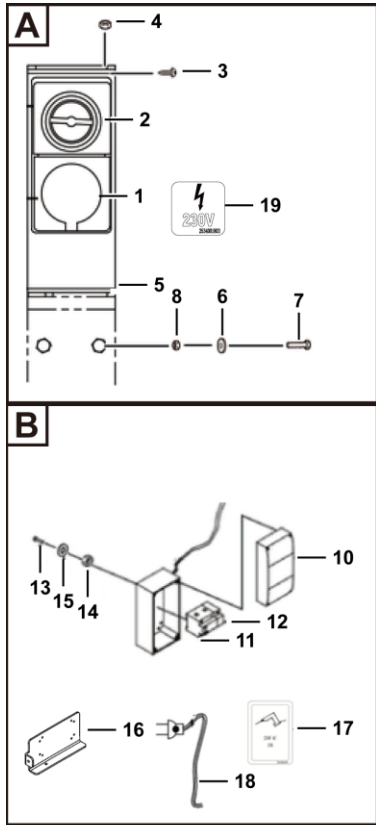
Outrigger electric assembly



Key	Part No.	Description	Spare parts Y/N	Qty	Remarks
1	4130701637	Lower limit switch	Y	4	
2	4015010283	Washer gb97.1-5flznyc-480	Y	16	
3	4014010123	Screw gb70.1-m5*40flznyc-8.8-480	Y	8	
4	4013010305	Nut gb889.1-m5flznyc-8-480	Y	8	
5	25320009511	Plate, outrigger travel switch mounting plate	Y	4	
6	4011011017	Bolt gb16674-m8*30flznyc-8.8-480	Y	8	
7	4013010396	Nut gb889.1-m8flznyc-10	Y	8	
8	25320011793	Outrigger module harness, limit switch, outrigger cylinder operating valve	Y	1	
9	4015010280	Washer gb97.1-8flznyc-480	Y	8	



Electric assembly



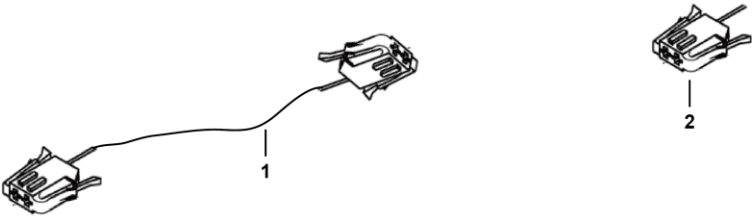
Key	Part No.	Description	Spare parts Y/N	Qty	Remarks
1	4130702374	Device plug	Y	1	
2	4019010267	Waterproof fitting 467315-m25	Y	3	
3	4014010450	Screw gb818-m6*25flznyc-4.8	Y	4	
4	4013010300	Nut gb889.1-m6flznyc-8-480	Y	4	
5	25330011821	Plate	Y	1	
6	4015010280	Washer gb97.1-8flznyc-480	Y	8	
7	4011010743	Bolt gb5783-m8*25flznyc-8.8-480	Y	4	
8	4013010314	Nut gb6185-m8flznyc-8	Y	2	
9	25330007531	Wire	Y	1	
10	4130701803	Fuse box 56cb1-4n	Y	1	
11	4130701801	Circuit breaker ic65n	Y	1	
12	4130701802	Residual current operated protective accessory vigi ic65	Y	1	
13	4014010424	Screw gb818-m5*25flznyc-8-480	Y	4	
14	4013010305	Nut gb889.1-m5flznyc-8-480	Y	4	
15	4015010283	Washer gb97.1-5flznyc-480	Y	8	
16	25330006781	Leakage protector mounting plate	Y	1	
17	25340000381	Decal-rated voltage	N	1	
18	25330011922	Wire	Y	1	
19	25340018031	Label - warning, power to platform	N	1	

O
GPS SYSTEM



LINGONG GROUP JINAN HEAVY MACHINERY CO., LTD.

Gps



O3600-2536000182

