

AS0607E AERIAL WORK PLATFORM PARTS CATALOG



LINGONG GROUP JINAN HEAVY MACHINERY CO., LTD.

Spare parts and services

For the owner of the machines of LGMG, only the spare parts and services of LGMG can make your machine to better maintain the original features.

Only LGMG is able to provide you with the perfect match of pure quality spare parts for your machine and knowledge of professional maintenance staff. Only in this way it can ensure sustainable high productivity and longer service life.

AS0607E AERIAL WORK PLATFORM PARTS CATALOG

2014-11 Version 1 Printed 1

LINGONG GROUP JINAN HEAVY MACHINERY CO., LTD.

Add: Zhongrun Century Square, No. 13777, Jingshi Road, Lixia, Jinan, Shandong, P.R. China

Tel: 86-0531-81663345

Fax: 86-0531-81666853

Web: WWW.LGMG.COM.CN

FOREWORD

This parts catalog of AS0607E aerial work platform is made for the convenience of users to use, repair and maintain the machine, which can be referred in the process of using. It can also help the users to be familiar with the structure and assembly relation of the machine. Parts of the engine are showed in details in its structure handbook, which are no longer contained in the catalog.

The catalog identifies drawings and assembly relations of different parts according to the system. Components which can not be taken apart, such as welding parts or riveted assemblies, are marked only by their code without the list of their consisting parts. The list in the catalog is arranged in Chinese and English.

This catalog is based on the AS0607E standard product, which can be a reference for the other nonstandard products, for more information, please consult LGMG, the local dealer or LinGong website. With the advancement of technology, we will keep on improving the product, so some content in the catalog may be inconsistent with the future products, which will not notice the users. When ordering the spare parts, please be kindly inform us the manufacturing date and serial number of the machine.

THE COMPILER
2013.6

CONTENTS

B. Axle system	BoM Reference	Page
Front axle assembly	B0400-2504000472.S1B	8
Rear axle assembly	B0500-2505000219.S1B	10
D. Chassis system	BoM Reference	Page
Chassis	D0700-2516002021.S1B	14
Battery and oil box side	D0800-2518000541.S	16
Oil box side	D0802-2518000031.B1C	18
Battery side	D0801-2518000542.S1A	20
Hollow protect system	D0901-2519000249.S1B	22
Shaft assembly	D0900-2519000316.S	26
F. Steering system	BoM Reference	Page
Steering arm	F1200-2517000206	30
G. Scissor assy installation assembly	BoM Reference	Page
Scissor assy installation	G1300-2520003359.S	34
Plate assembly	G1300-2520000242.B2A	38
Arm safety	G1300-2520000279.B3B	40
Fixed plate	G1300-2520000192.B	42
H. Swing system	BoM Reference	Page

Counterweight assembly	H1600-2528000008.B1A	46
------------------------	----------------------	----

I. Cover accessory

	BoM Reference	Page
Foot step	I1700-2529000017.B1D	50

K. Platform assembly

	BoM Reference	Page
Platform assembly	K2100-2521006138.S1A	54
Platform assembly	K2100-2521004027.S1A	56
Roller	K2100-2521003593.S2A	58
Extension platform assembly	K2102-2521003923.S1A	60
Handrail assembly	K2103-2521004824.S	62
Revolution door	K2104-2521003790.S	66
Bracket	K2106-2521002803.S	68

L. Hydraulic system

	BoM Reference	Page
Travel system	L2300-2507000102.S1C1	72
Pump	L2300-4120001431	76
Repair box	L2300-4120001431001	78
Filter	L2300-4120001128	80
Control valve	L2300-4120002040	82
Steering hydraulic assembly	L2302-2507000289.S1A	84
Repair kit	L2300-4120703457001	86

Steer cylinder	L2300-4120703457	88
Lifting hydraulic assembly	L2400-2508000214.S1E	90
Wire assembly	L2400-2508000207.S2A	94
Lifting cylinder	L2400-4120703500	96

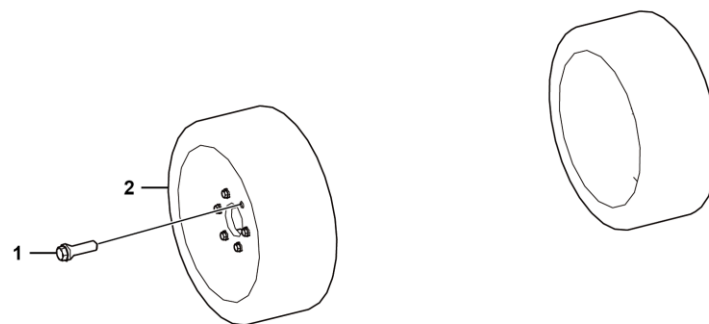
M. Electric system	BoM Reference	Page
Electricity assembly	M2900-2530000975.S	100
Pcu	M3100-4130702429	102
Chassis electric systems	M3100-2532001650.S1B	104
Motor	M3100-4130702145082	114
Ground control unit	M3101-4130001288	116
Motor	M3200-4130000710	118
Wireless anti collision controller assembly	M3100-2530000999.S	120
Electric assembly	M3200-2533000680.S1B	122

B
AXLE SYSTEM

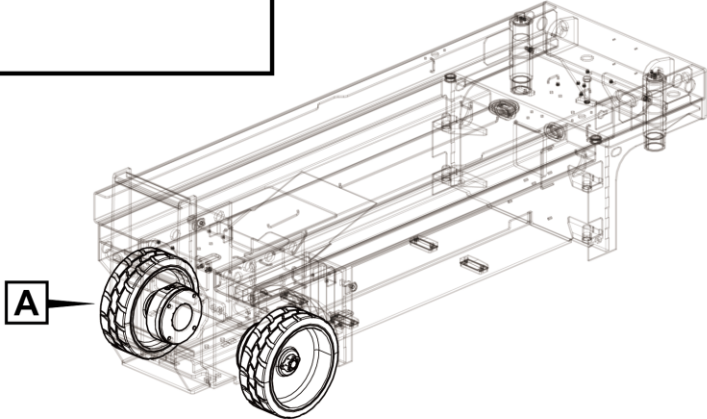
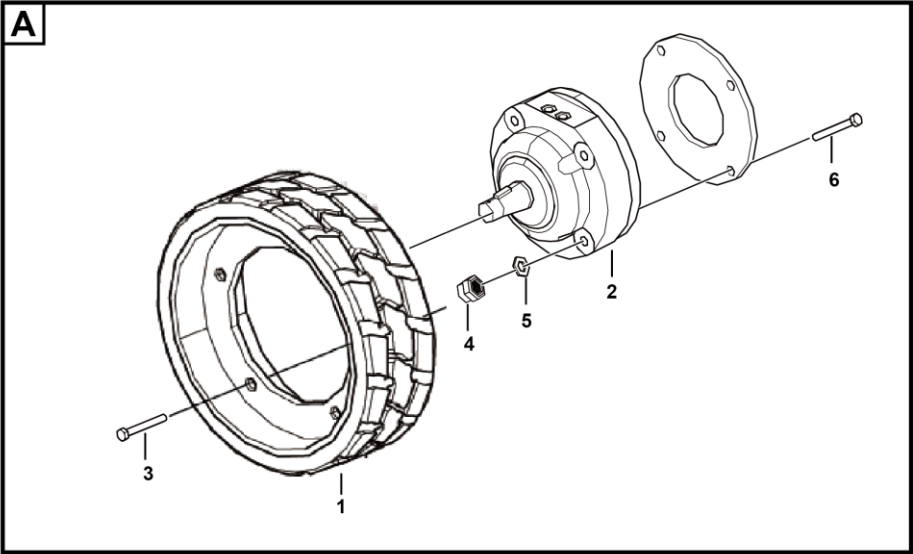


LINGONG GROUP JINAN HEAVY MACHINERY CO., LTD.

Front axle assembly



Rear axle assembly



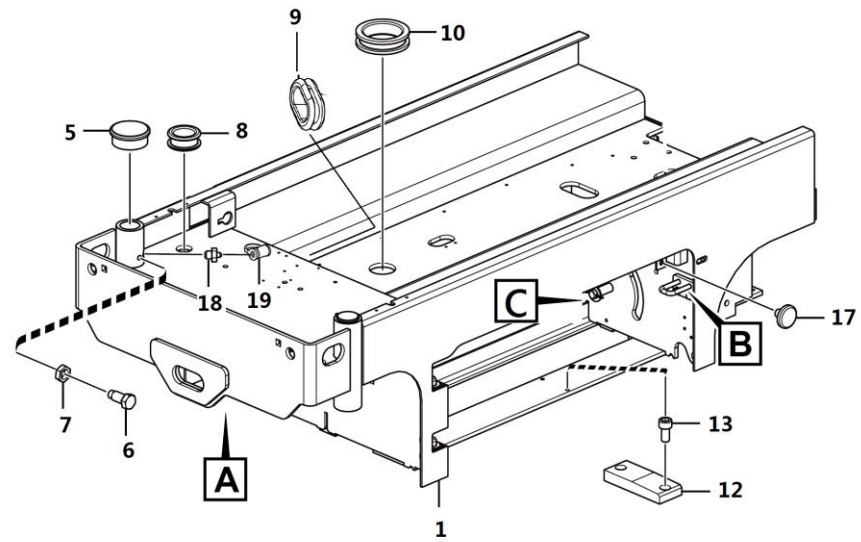
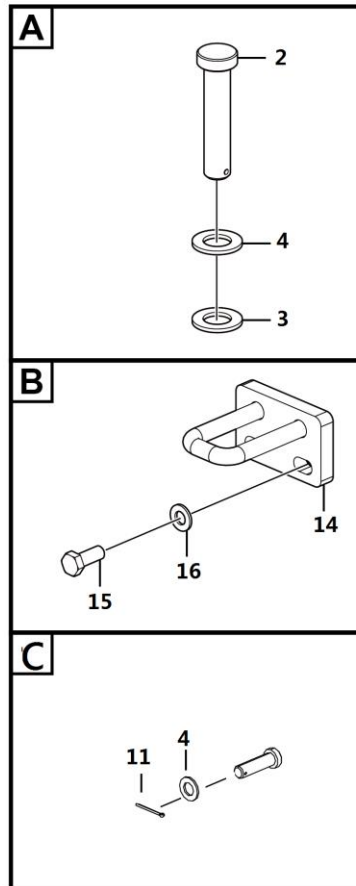
B0500-2505000219.S1b

D
CHASSIS SYSTEM



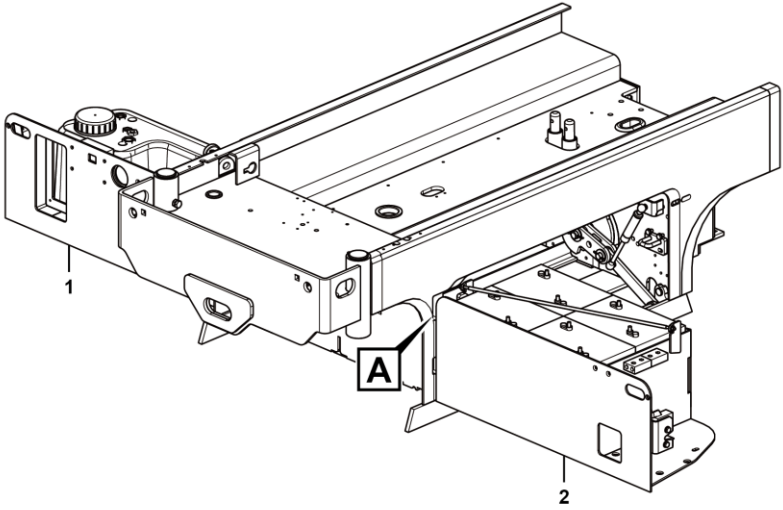
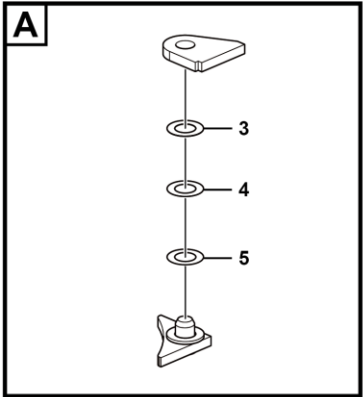
LINGONG GROUP JINAN HEAVY MACHINERY CO., LTD.

Chassis



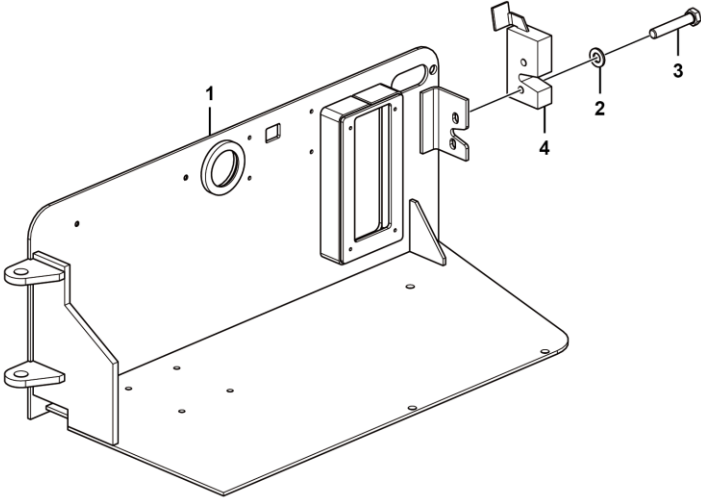
Key	Part No.	Description	Spare parts Y/N	Qty	Remarks
1	25160020222	Chassis	Y	1	
2	25160001342	Pin	Y	1	
3	4015010295	Retainer ring	Y	1	
4	4015010338	Washer	Y	7	
5	4190001812	Plug	Y	2	
6	25160000722	Bolt	Y	2	
7	4013010315	Nut	Y	2	
8	25160000731	Grommet	Y	2	
9	25160000401	Rubber plug	Y	2	
10	25160000621	Grommet	Y	1	
11	4016010136	Pin	Y	2	
12	25160000991	Block, wear	Y	2	
13	4014010243	Screw gb70.1-m8*16flznyc-8.8-480	Y	4	
14	25160004253	Latch bracket	Y	2	
15	4011010711	Bolt	Y	4	
16	4015010280	Washer	Y	4	
17	25200000402	Rubber plug	Y	2	
18	4030000065	Grease fitting	Y	2	
19	4030000107	Grease fitting cap	Y	2	

Battery and oil box side



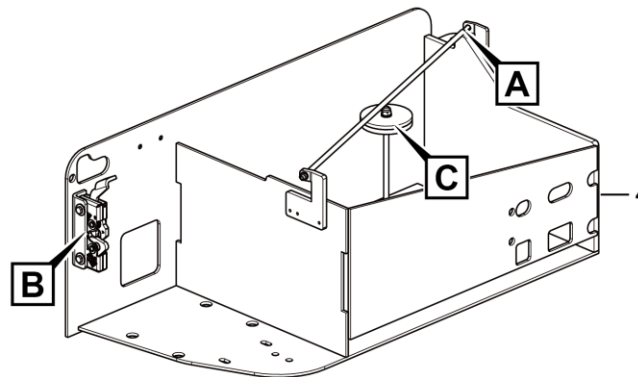
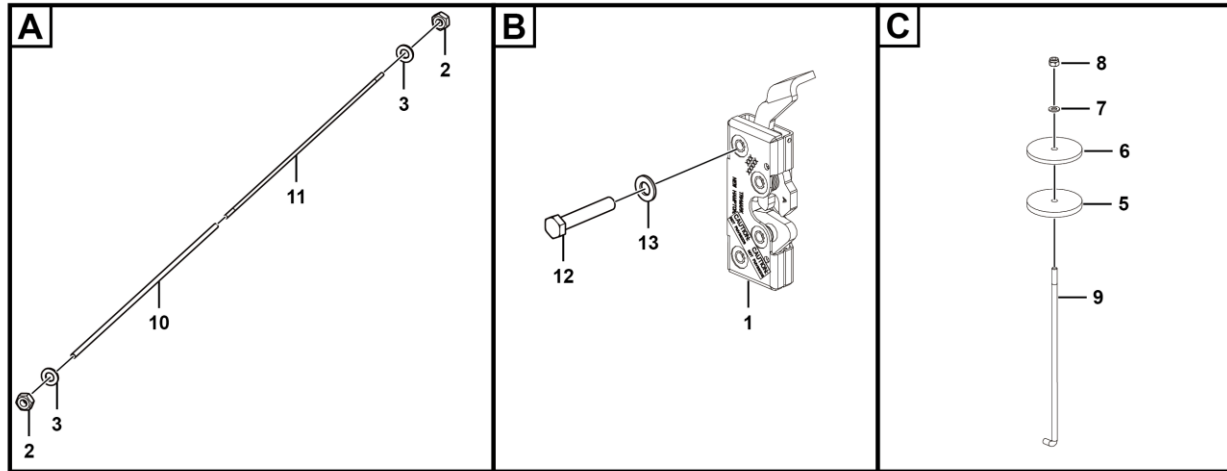
D0800-2518000541.S

Oil box side



D0802-2518000031.B1c

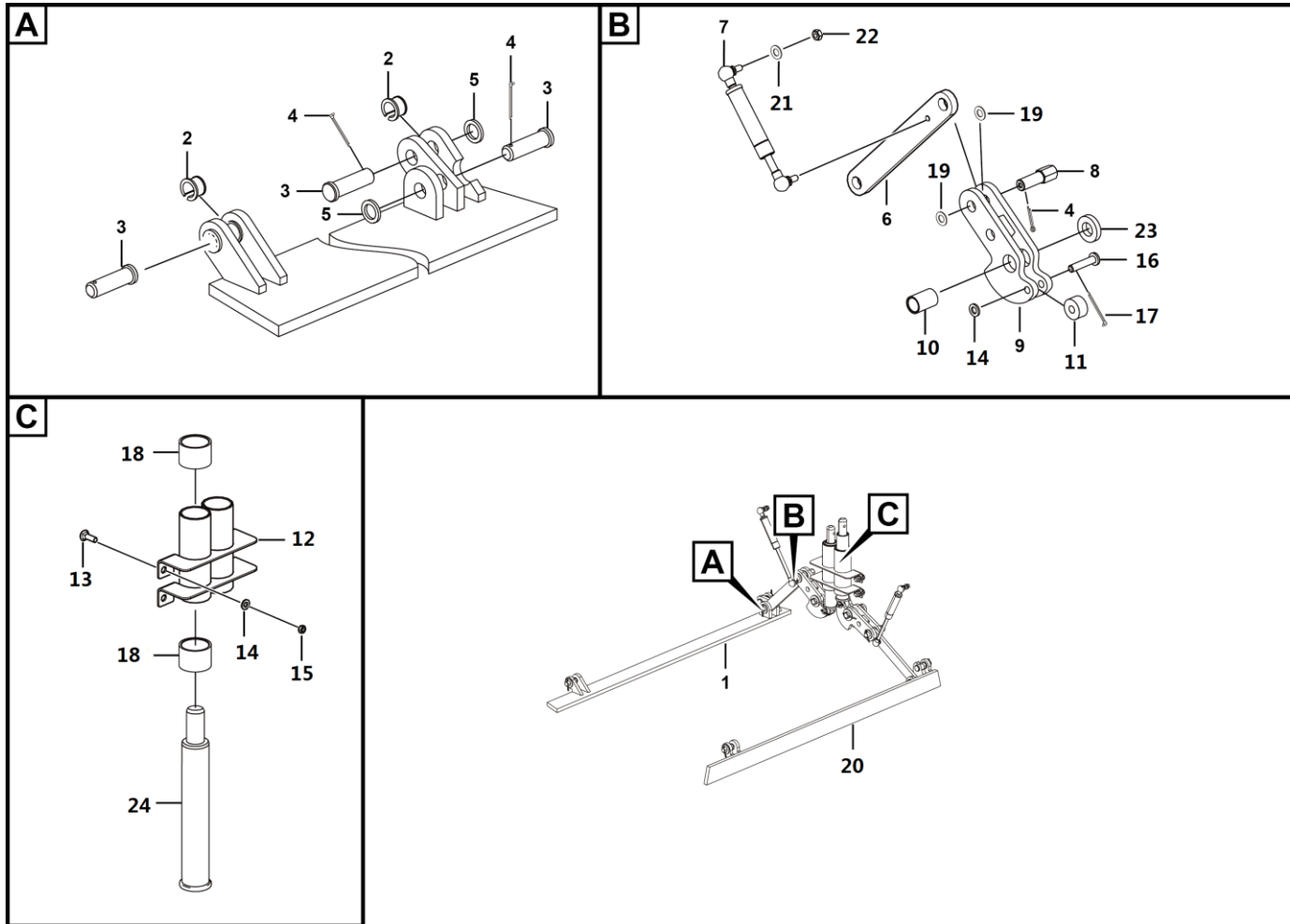
Battery side



D0801-2518000542.S1a

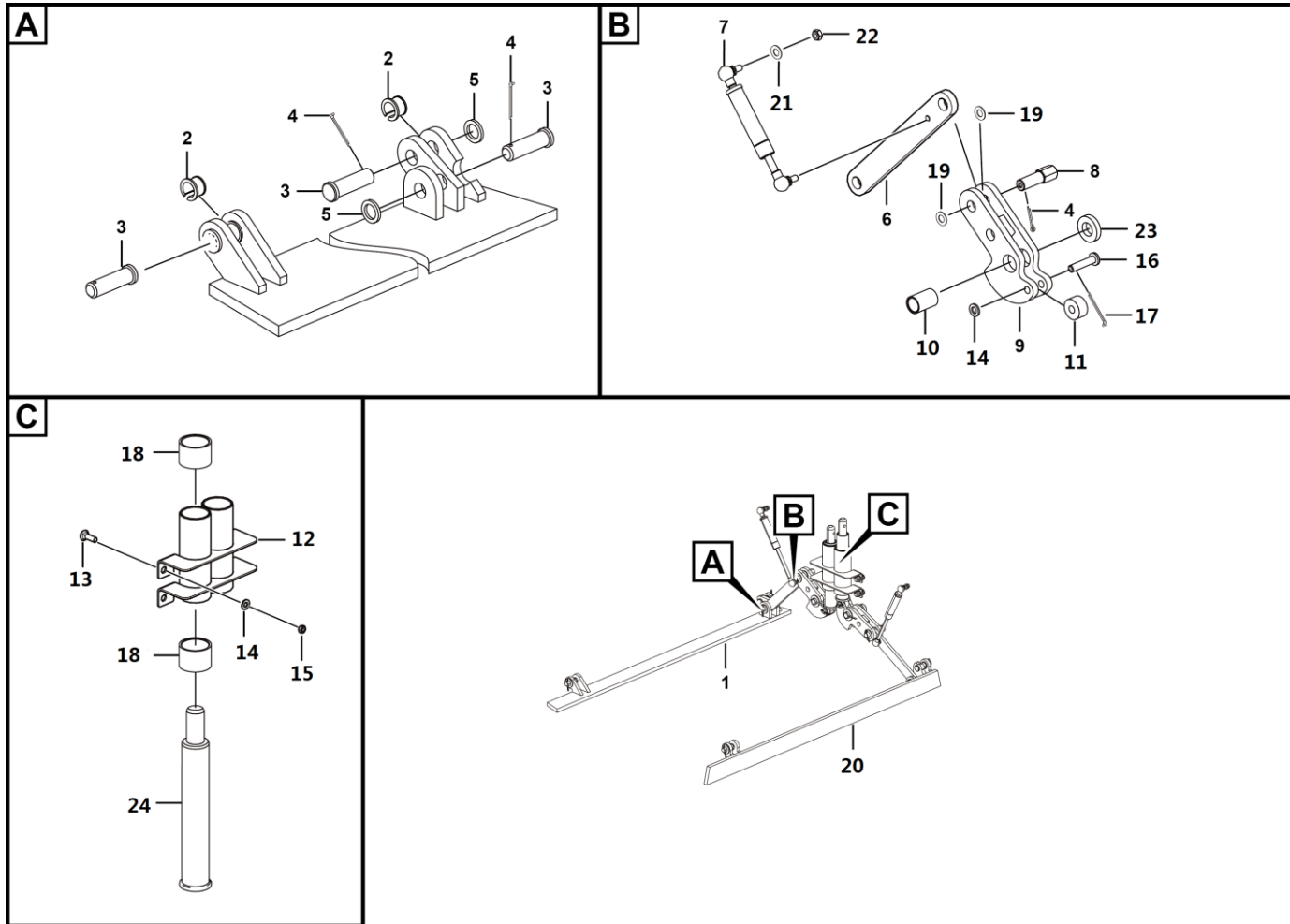
Key	Part No.	Description	Spare parts Y/N	Qty	Remarks
1	4190002250	Latch	Y	1	
2	4013000028	Nut	Y	2	
3	4015000207	Washer	Y	2	
4	25180005433	Battery box	Y	1	
5	25180004001	Rubber plate, battery hold down	Y	1	
6	25180004011	Rubber plate, battery hold down	Y	1	
7	4015000072	Washer	Y	1	
8	4013000210	Nut	Y	1	
9	25180003392	J-hook bolt, battery hold down	Y	1	
10	25180000431	Sleeve	Y	1	
11	25180000422	Threaded rod	Y	1	
12	4011000291	Bolt	Y	2	
13	4015000198	Washer	Y	2	

Hollow protect system

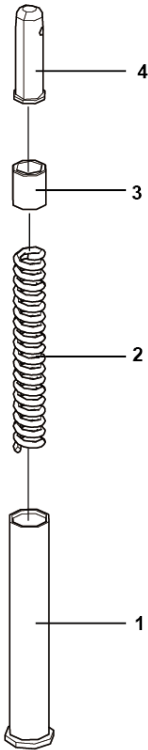


Key	Part No.	Description	Spare parts Y/N	Qty	Remarks
1	25190002512	Right protect plate	Y	1	
2	25190000171	Bushing	Y	4	
3	25190000242	Pin	Y	6	
4	4016010137	Pin	Y	8	
5	4015010342	Washer	Y	8	
6	25190001181	Connecting rod	Y	2	
7	25190000212	Gas shock	Y	2	
8	25190000431	Pin	Y	2	
9	25190000402	Connecting assembly	Y	2	
10	25190000181	Bushing	Y	2	
11	25190000221	Roller	Y	2	
12	25190003361	Fastening assembly	Y	1	
13	4011011165	Bolt gb14-m10*35flznyc-8.8-480	Y	4	
14	4015010339	Washer	Y	6	
15	4013010296	Nut	Y	4	
16	25190000231	Pin	Y	2	
17	4016010138	Pin	Y	2	
18	25200000141	Bushing	Y	4	
19	25190000192	Washer, shim	Y	4	
20	25190002522	Left protect plate	Y	1	
21	4015010280	Washer	Y	2	
22	4013010297	Nut	Y	2	

Hollow protect system



Shaft assembly

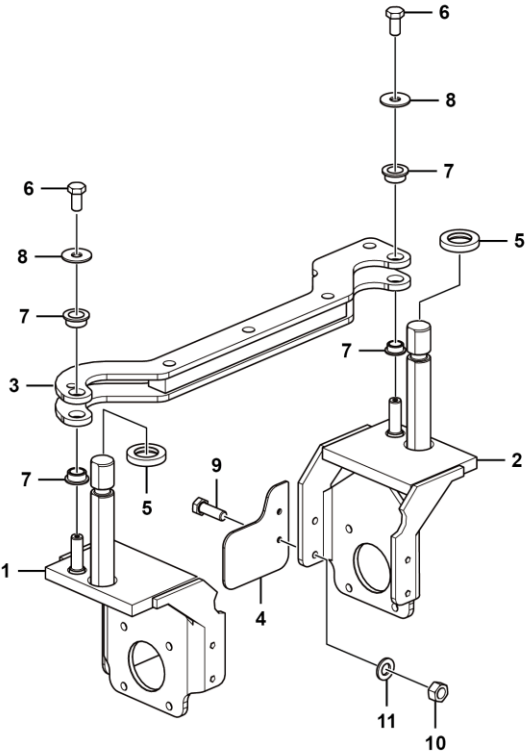


F
STEERING SYSTEM



LINGONG GROUP JINAN HEAVY MACHINERY CO., LTD.

Steering arm



F1200-2517000206.S

Key	Part No.	Description	Spare parts Y/N	Qty	Remarks
1	25170002072	Left spindle	Y	1	
2	25170002082	Right spindle	Y	1	
3	25170002162	Steering plate welding	Y	1	
4	25170001581	Plate	Y	2	
5	25170000451	Washer	Y	2	
6	4011000754	Bolt	Y	2	
7	25170000461	Bushing	Y	4	
8	4015000256	Wsher	Y	2	
9	4011000972	Bolt	Y	4	
10	4013000238	Bolt	Y	4	
11	4015000162	Washer	Y	4	

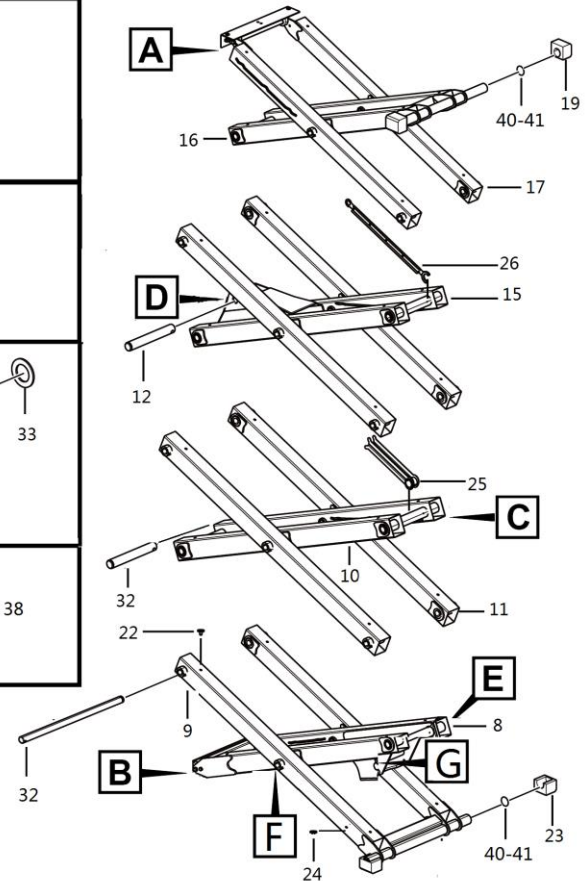
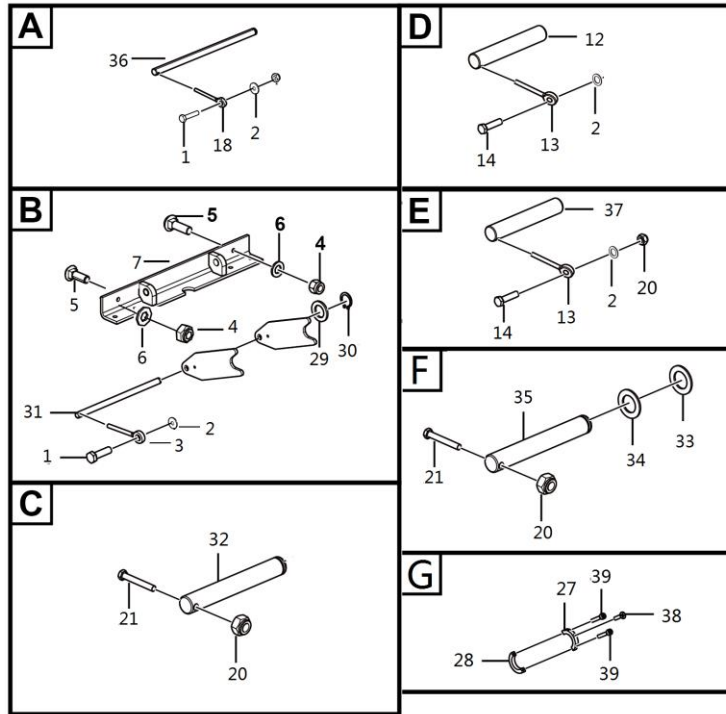


G
SCISSOR ASSY INSTALLATION ASSEMBLY



LINGONG GROUP JINAN HEAVY MACHINERY CO., LTD.

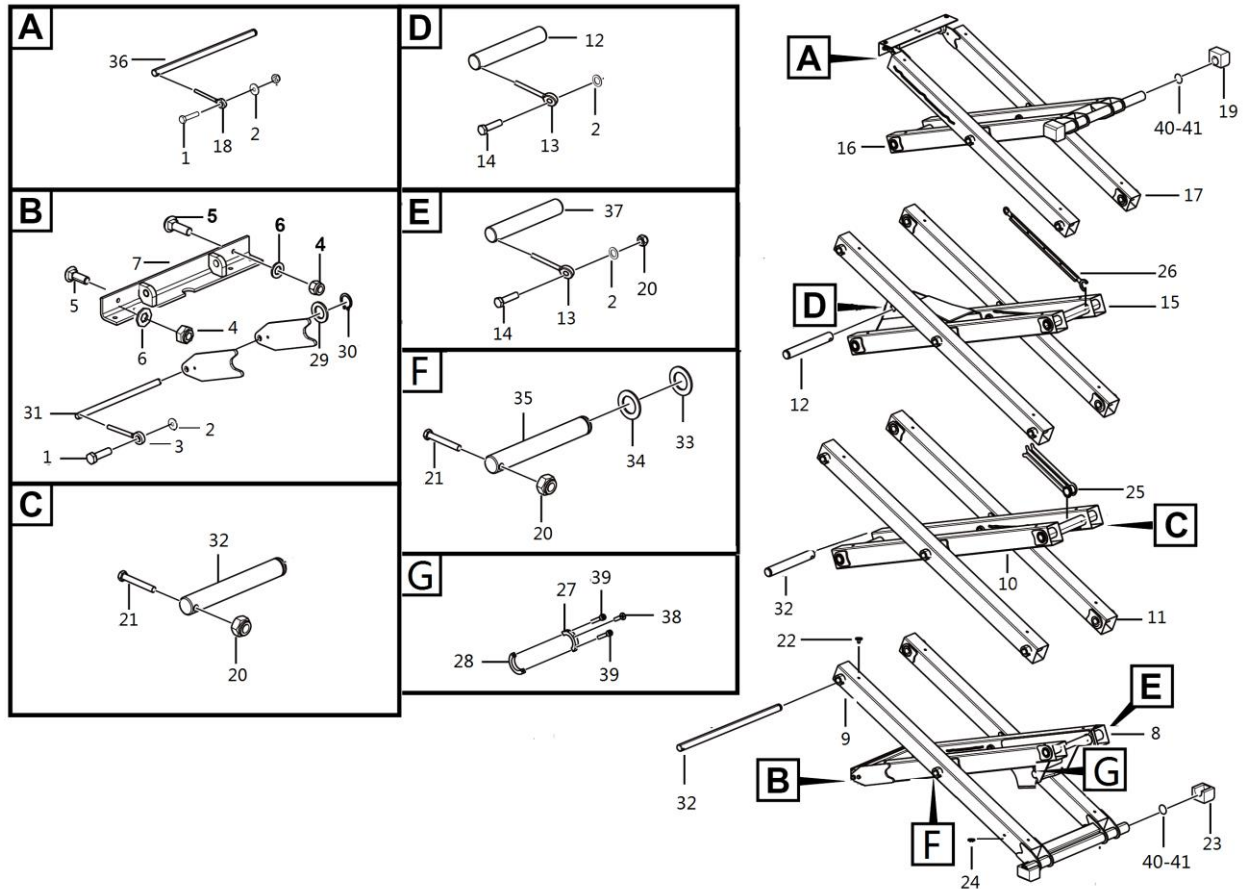
Scissor assy installation



G1300-2520003359.S

Key	Part No.	Description	Spare parts Y/N	Qty	Remarks
1	4011010722	Boltgb5783-m10*25flznyc-8.8-480	Y	2	
2	4015010339	Washer	Y	6	
3	25200002841	Pin	Y	1	
4	4013010301	Nut	Y	6	
5	4011011010	Boltgb14-m12*40flznyc-8.8	Y	6	
6	4015010340	Washer	Y	6	
7	25200001921	Plate	Y	1	
8	25200033432	First inner arm assembly	Y	1	
9	25200031591	Inner arm	N	1	
10	25200033581	Second inner arm assembly	Y	1	
11	25200031711	Inner arm	Y	4	
12	25200002782	Pin	Y	1	
13	25200000641	Cotter pin	Y	2	
14	4011010706	Bolt	Y	2	
15	25200031841	Inner arm	Y	1	
16	25200031851	Inner arm	Y	1	
17	25200029102	Outer arm	Y	1	
18	25200026231	Pin	Y	1	
19	25200024861	Block	Y	2	
20	4013010372	Nut	Y	16	
21	4011010729	Bolt	Y	14	
22	25200000402	Rubber plug	Y	24	

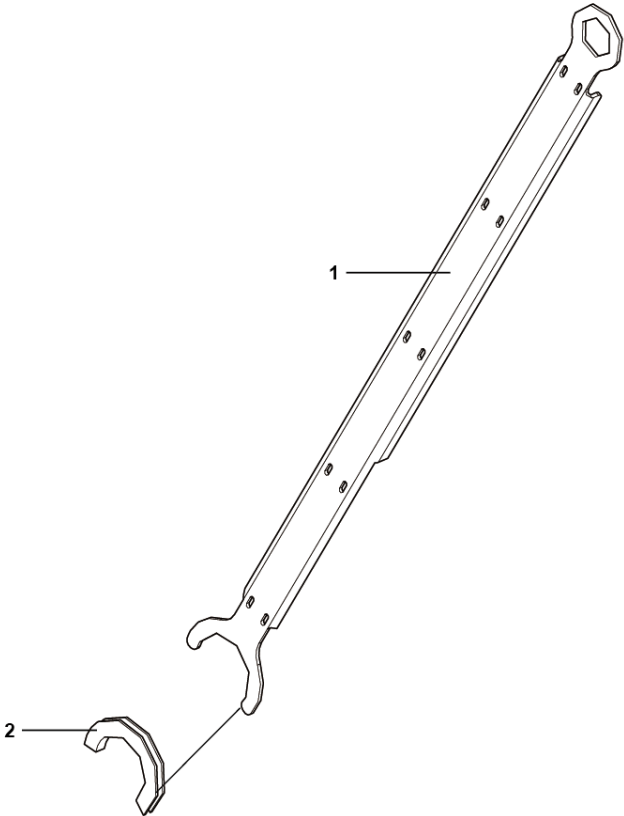
Scissor assy installation



G1300-2520003359.S

Key	Part No.	Description	Spare parts Y/N	Qty	Remarks
23	25200002861	Block	Y	2	
24	4190704301	Thermoplastic plug	Y	32	
25	25200002793	Arm	N	1	
26	25200002422	Plate, safety arm	Y	3	
27	25200002451	Ring, plastic	Y	3	
28	25200002461	Ring	Y	3	
29	25200002822	Washer	Y	1	
30	4015010250	Retainer ring	Y	1	
31	25200002471	Pin	Y	1	
32	25200016571	Pin	Y	6	
33	4015010251	Retainer ring	Y	15	
34	25200002832	Washer	Y	20	
35	25200016591	Pin	Y	8	
36	25200029131	Pin	Y	1	
37	25200002772	Pin	Y	1	
38	4014010365	Screw gb819.1-m5*20flznyc-4.8	Y	3	
39	4014010128	Screw gb70.1-m5*25flznyc-8.8-480	Y	6	
40	25200000031	Plate	Y	4	
41	25200001901	Plate	Y	4	

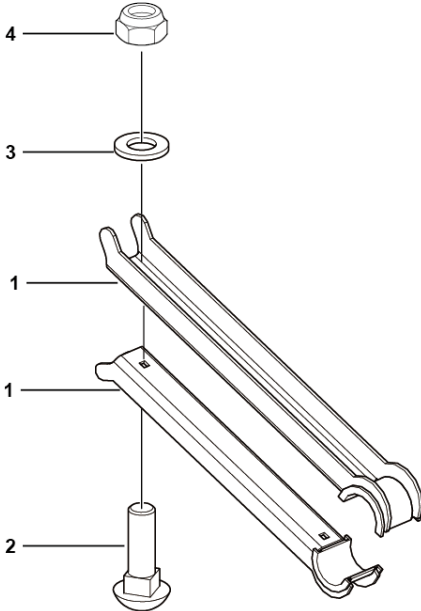
Plate assembly



G1300-2520000242.B2a



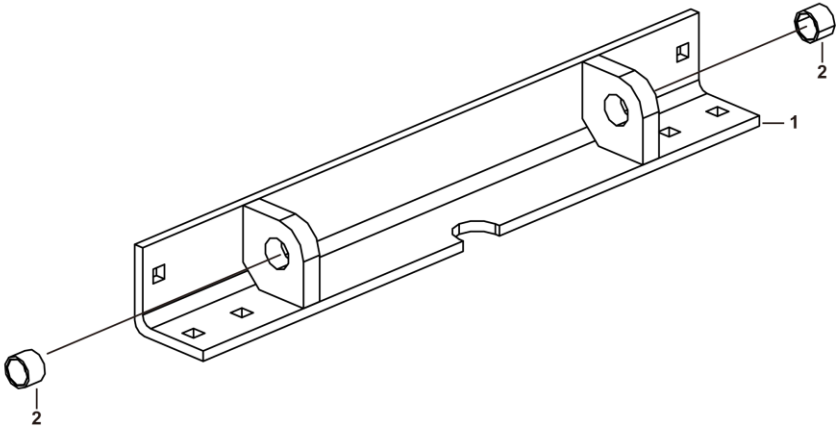
Arm safety



G1300-2520000279.B3b



Fixed plate



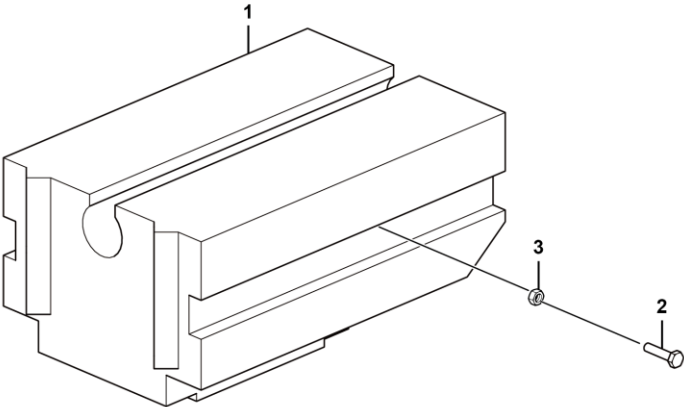
G1300-2520000192.B

H SWING SYSTEM



LINGONG GROUP JINAN HEAVY MACHINERY CO., LTD.

Counterweight assembly



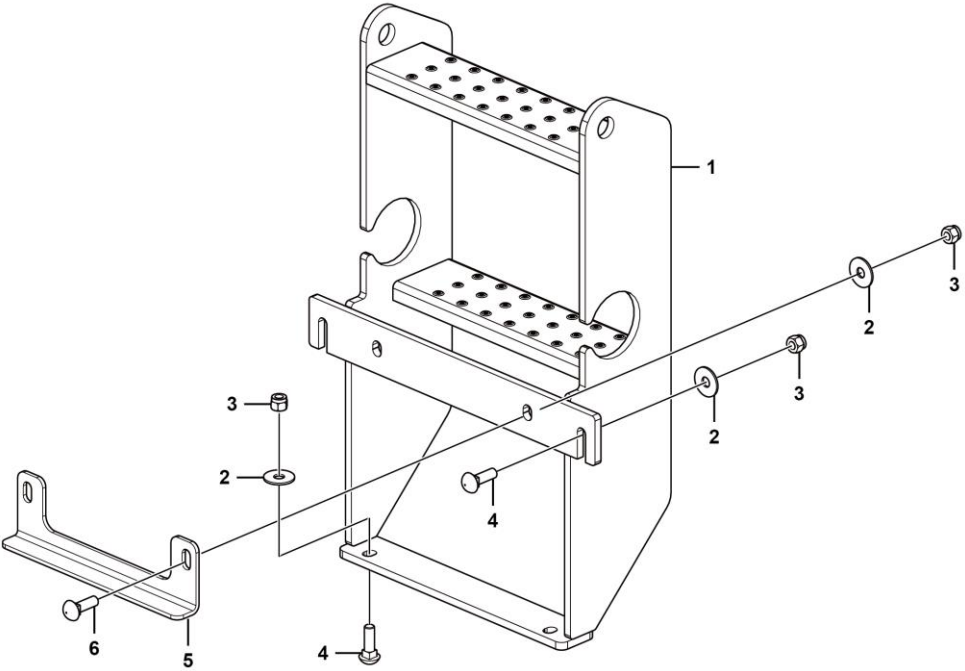
H1600-2528000008.B1a

I
COVER ACCESSORY



LINGONG GROUP JINAN HEAVY MACHINERY CO., LTD.

Foot step



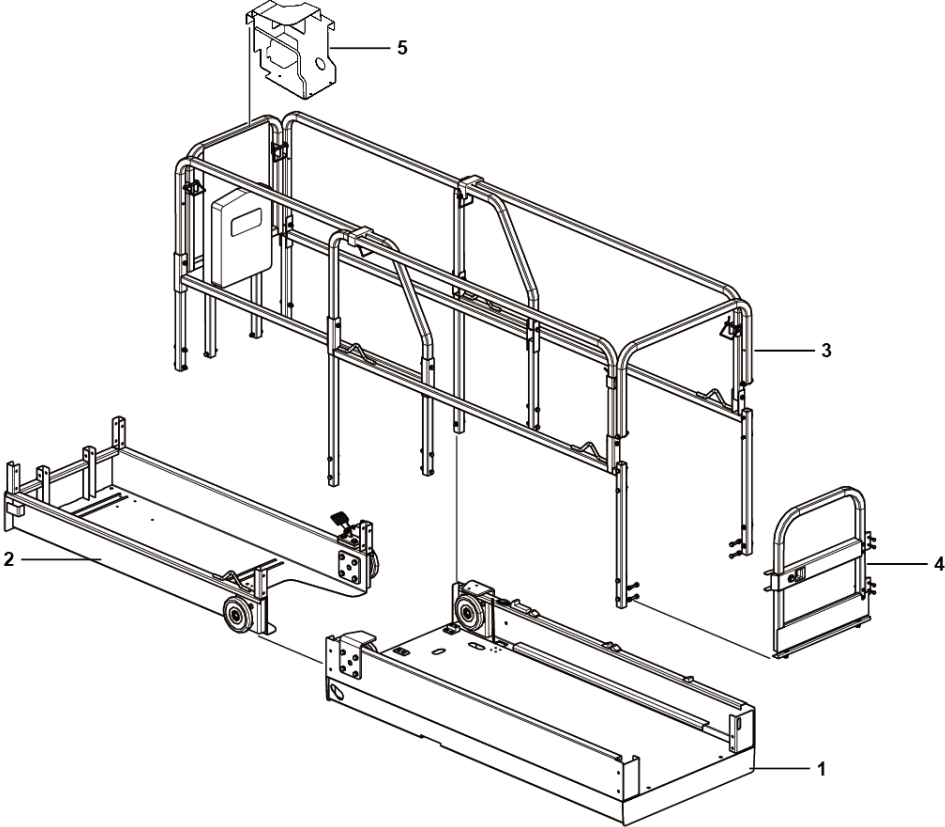
I1700-2529000017.B1d

K
PLATFORM ASSEMBLY

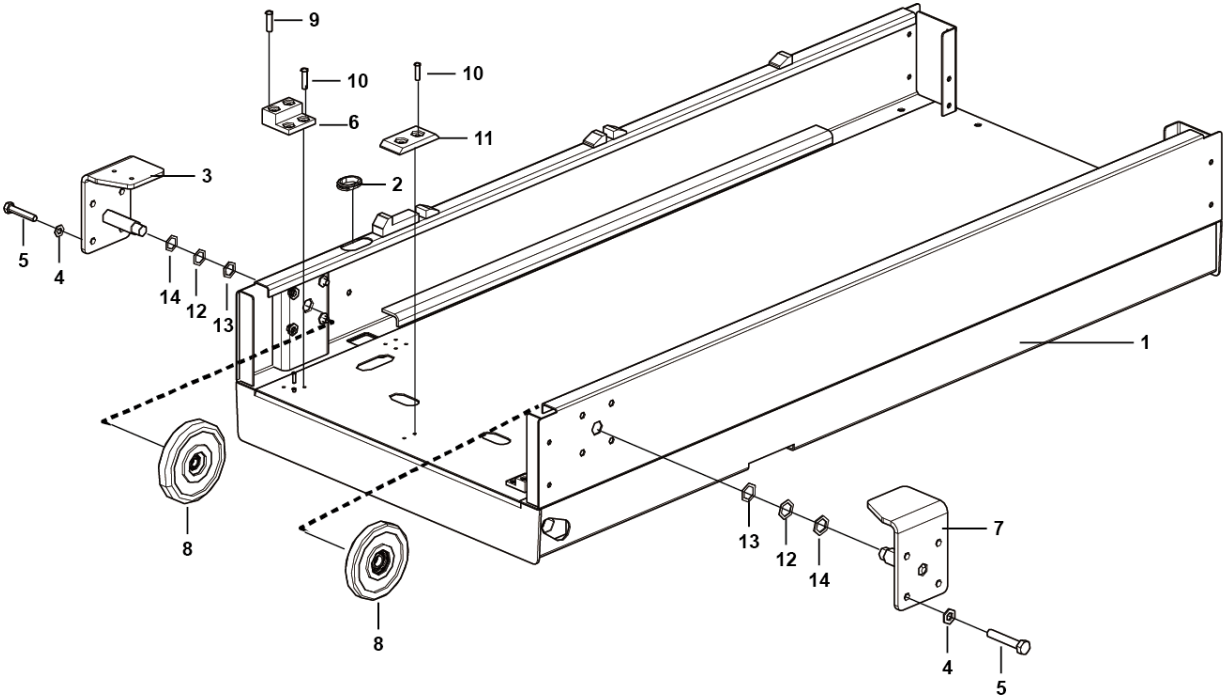


LINGONG GROUP JINAN HEAVY MACHINERY CO., LTD.

Platform assembly



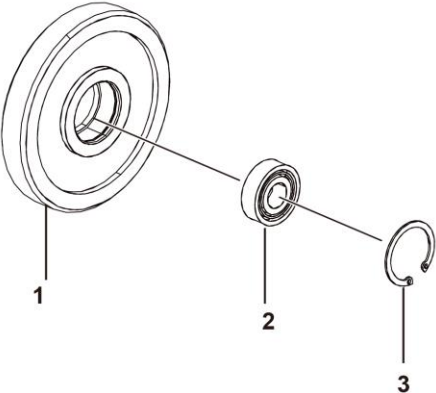
Platform assembly



K2100-2521004027.S1a

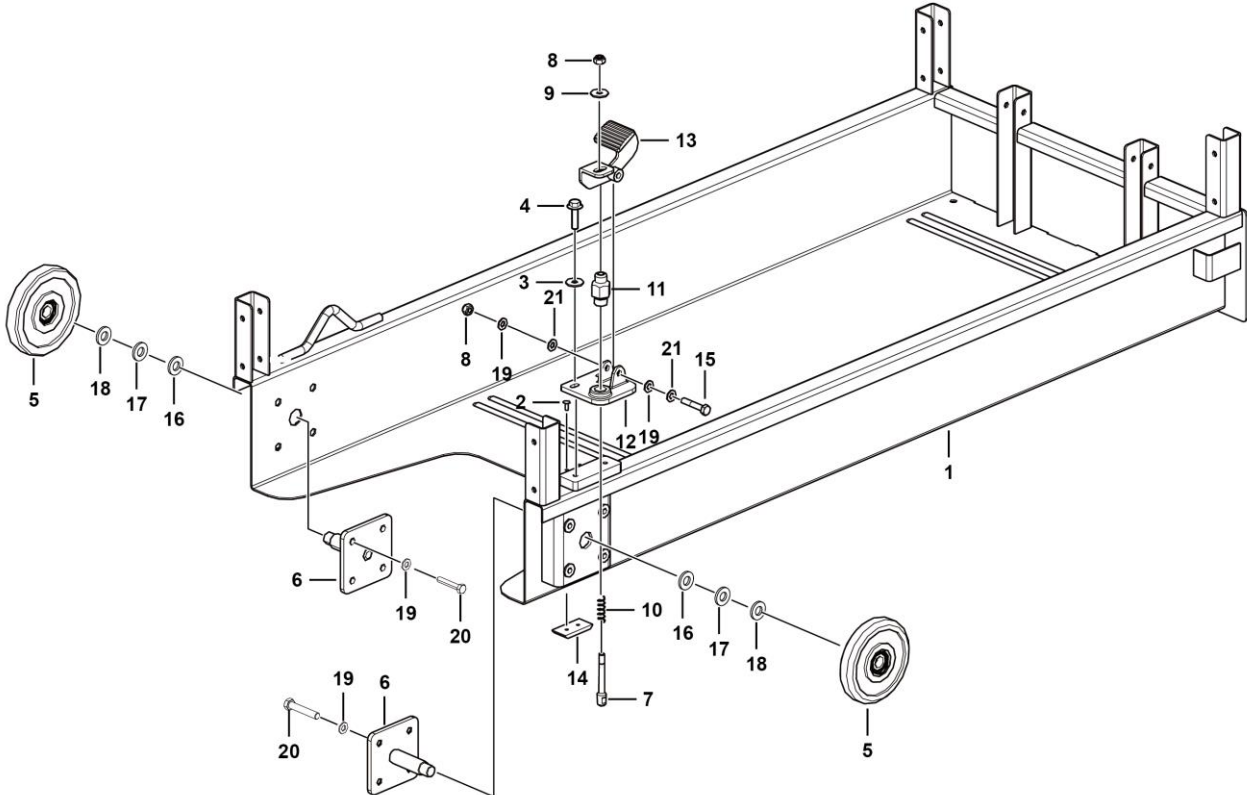
Key	Part No.	Description	Spare parts Y/N	Qty	Remarks
1	25210040257	Weld main deck	Y	1	
2	25210042571	Rubber gromet? ? ? 42*7	Y	1	
3	25210021043	Roller frame	Y	1	
4	4015000162	Washer	Y	8	
5	4011000049	Bolt	Y	8	
6	25210002592	Block, guide	Y	4	
7	25210030191	Wheel frame	Y	1	
8	25210035932	Wheel assembly	N	2	
9	4019010190	Rivet	Y	8	
10	4019010185	Rivet	Y	10	
11	25210002601	Block	Y	1	
12	25210011181	Shim, adjusting	Y	2	
13	25210011171	Shim, adjusting	Y	2	
14	25210011191	Shim, adjusting	Y	2	

Roller



K2100-2521003593.S2a

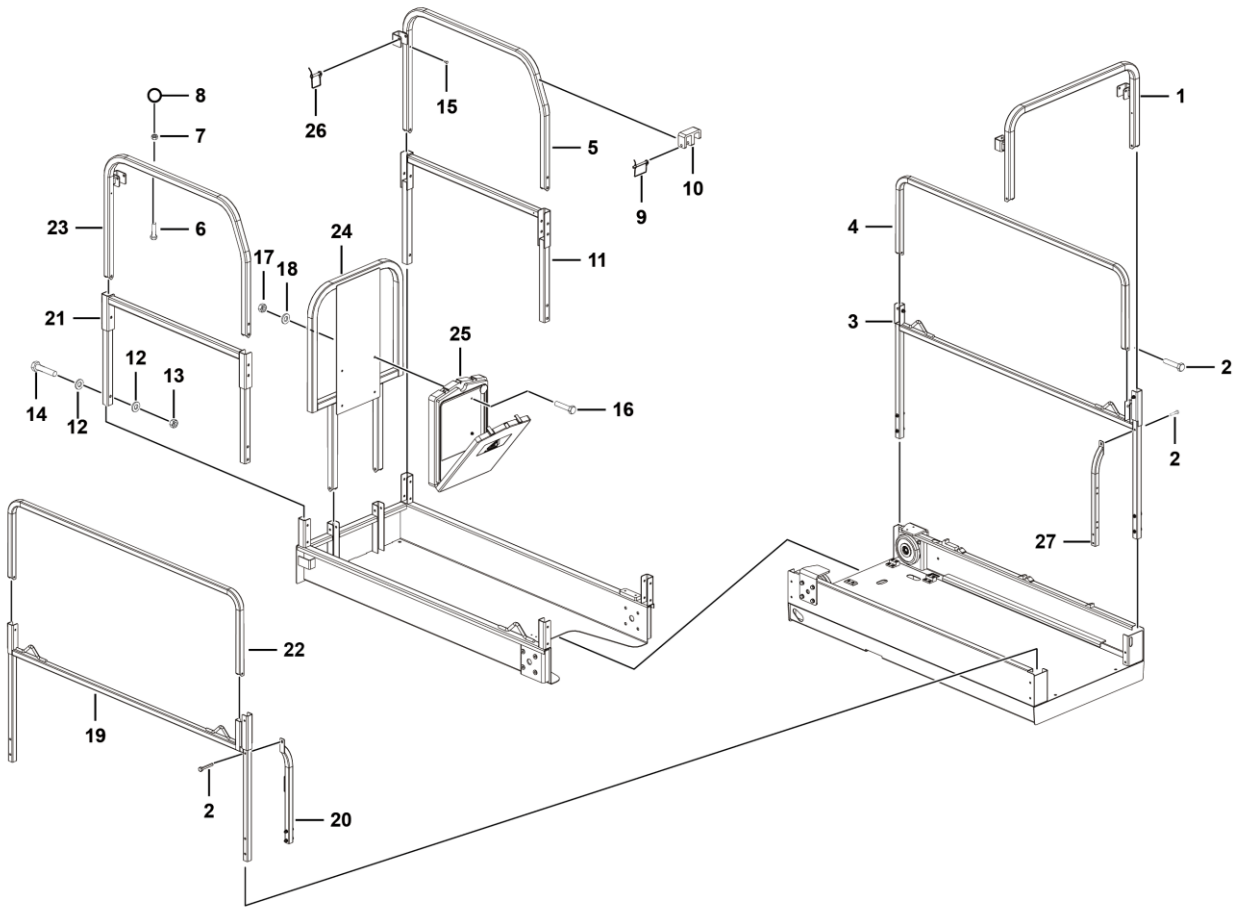
Extension platform assembly



K2102-2521003923.S1a

Key	Part No.	Description	Spare parts Y/N	Qty	Remarks
1	25210039222	Welding extension deck	Y	1	
2	4019010185	Rivet	Y	2	
3	4015010289	Washer	Y	2	
4	4011010711	Bolt	Y	2	
5	25210035932	Wheel assembly	N	2	
6	25210030211	Wheel frame	Y	2	
7	25210002911	Cotter pin	Y	1	
8	4013010296	Nut	Y	2	
9	4015010278	Washer	Y	1	
10	25210002901	Spring	Y	1	
11	25210002891	Spring seat	Y	1	
12	25210012192	Seat	Y	1	
13	25210036501	Plate	Y	1	
14	25210002601	Block	Y	1	
15	4011010732	Bolt	Y	1	
16	25210011191	Shim, adjusting	Y	2	
17	25210011181	Shim, adjusting	Y	2	
18	25210011171	Shim, adjusting	Y	2	
19	4015000162	Washer	Y	8	
20	4011000049	Bolt	Y	8	
21	4015010279	Washer	Y	2	

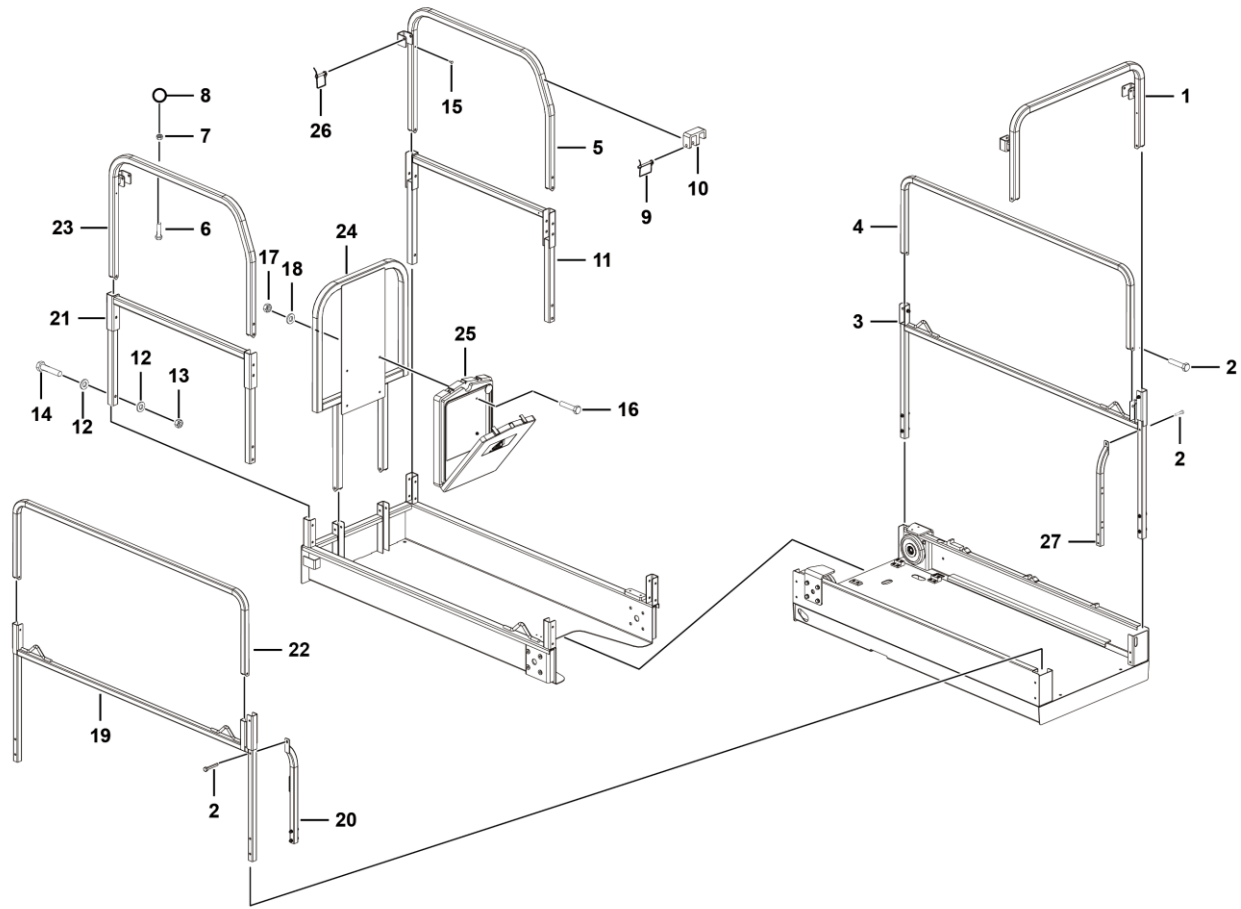
Handrail assembly



K2103-2521004824.S

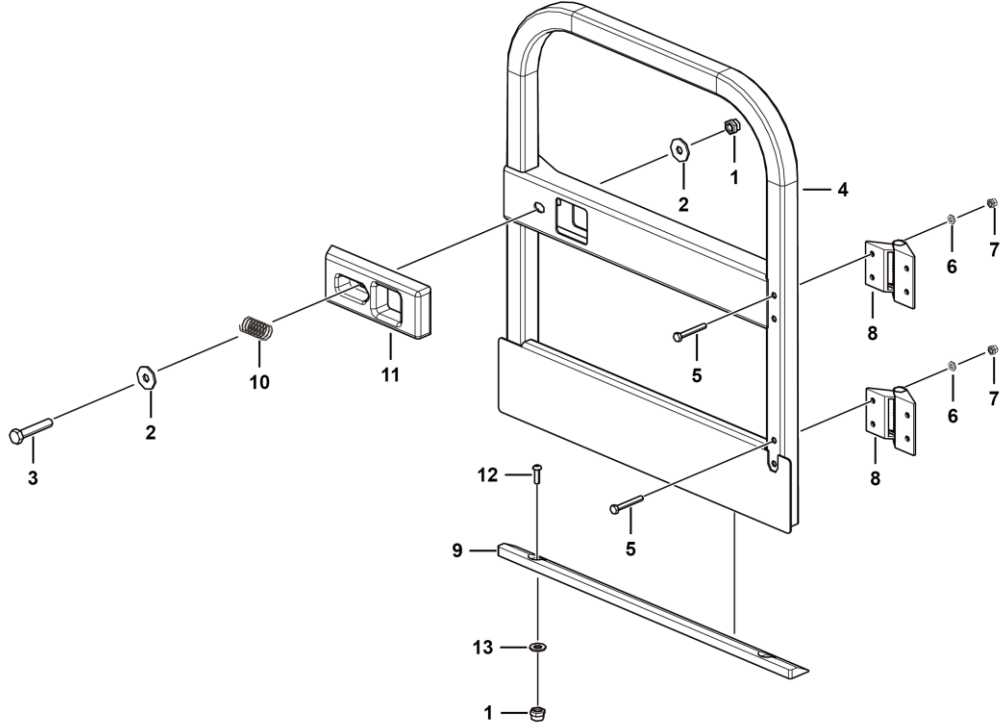
Key	Part No.	Description	Spare parts Y/N	Qty	Remarks
1	25210037671	Steel tube	Y	1	
2	4011010736	Bolt	Y	6	
3	25210040064	Guard bar	Y	1	
4	25210048231	Right guardrail weldment	Y	1	
5	25210046341	Right handail	Y	1	
6	4011010976	Screw gb5783-m10*50flznyc-8.8-480	Y	2	
7	4013010371	Nut	Y	2	
8	4190001587	Ball knobs	Y	2	
9	4190002586	Pin	Y	2	
10	25210013702	M-seat	Y	2	
11	25210037722	Right handail	Y	1	
12	4015010280	Washer	Y	58	
13	4013010297	Nut	Y	22	
14	4011010919	Bolt	Y	18	
15	4019010209	Rivet	Y	4	
16	4011010757	Bolt	Y	4	
17	4013010300	Nut	Y	4	
18	4015010284	Washer	Y	4	
19	25210040054	Left guardrail weldment	Y	1	
20	25210043813	Lift door-handrail	Y	1	
21	25210037732	Left handail	Y	1	
22	25210048221	Left handrail	Y	1	

Handrail assembly



K2103-2521004824.S

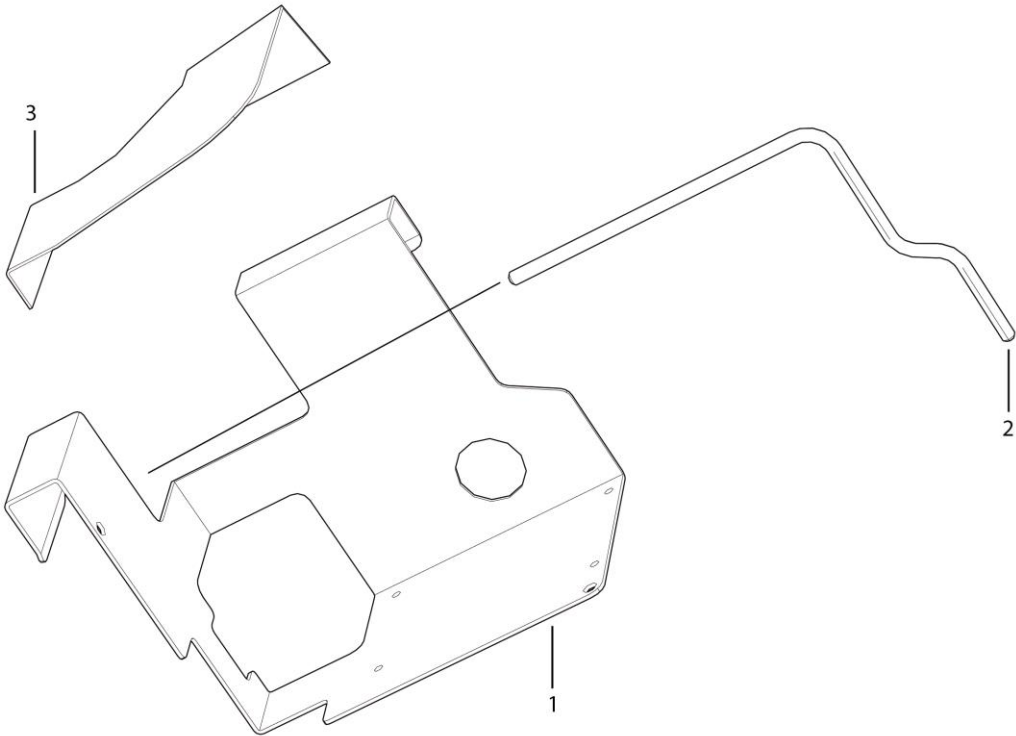
Revolution door



K2104-2521003790.S

Key	Part No.	Description	Spare parts Y/N	Qty	Remarks
1	4013000189	Nut	Y	3	
2	4015000197	Washer	Y	2	
3	4011000049	Bolt	Y	1	
4	25210037891	Rotate door	Y	1	
5	4011000611	Bolt	Y	8	
6	4015000207	Washer	Y	8	
7	4013000211	Nut	Y	8	
8	4190001525	Hinge, door	Y	2	
9	25210029321	Block	Y	1	
10	25210002071	Spring	Y	1	
11	25210011051	Plastic block, platform gate	Y	1	
12	4014010142	Screw	Y	2	
13	4015000162	Washer	Y	2	

Bracket



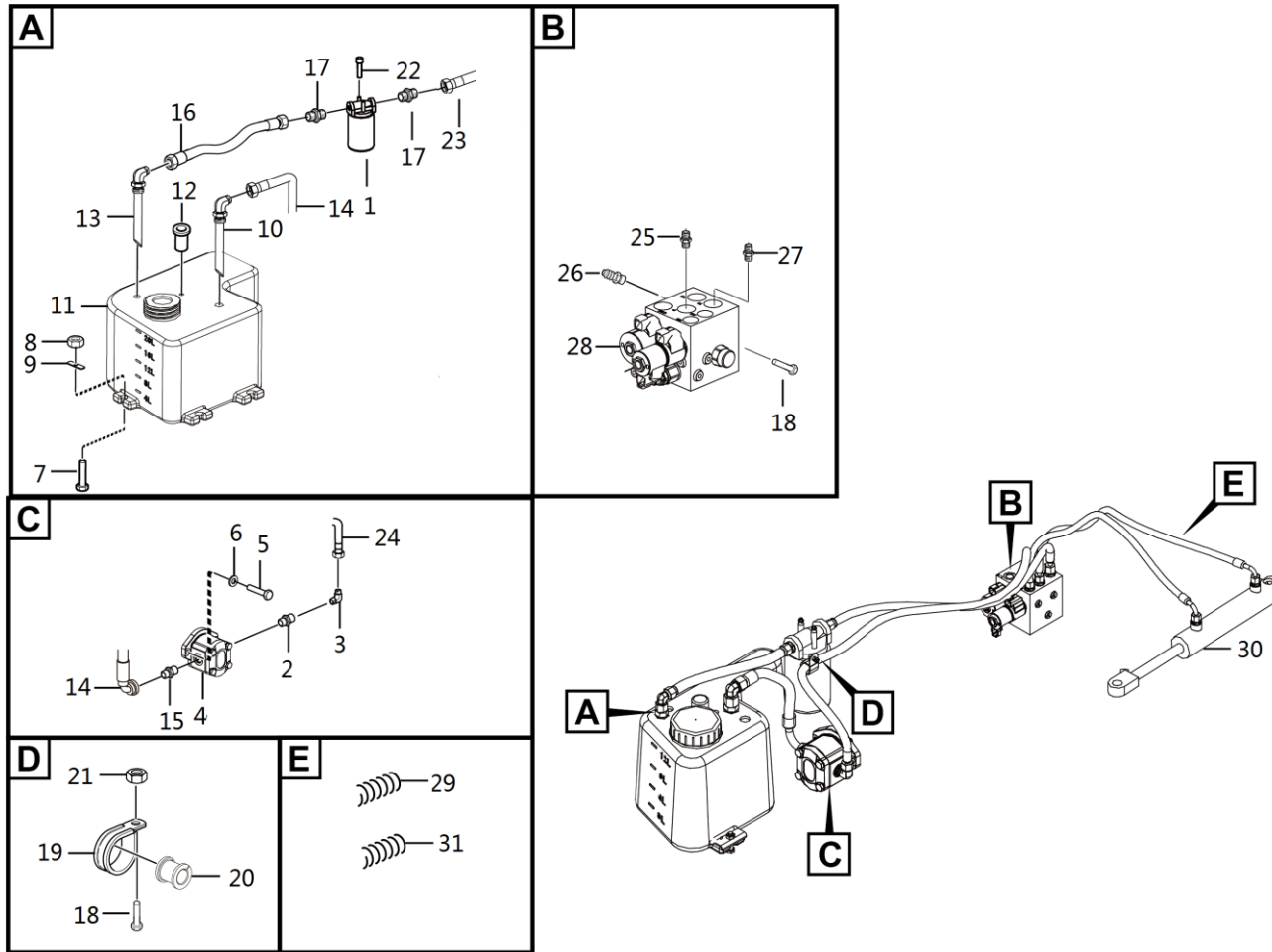
K2106-2521002803

L
HYDRAULIC SYSTEM



LINGONG GROUP JINAN HEAVY MACHINERY CO., LTD.

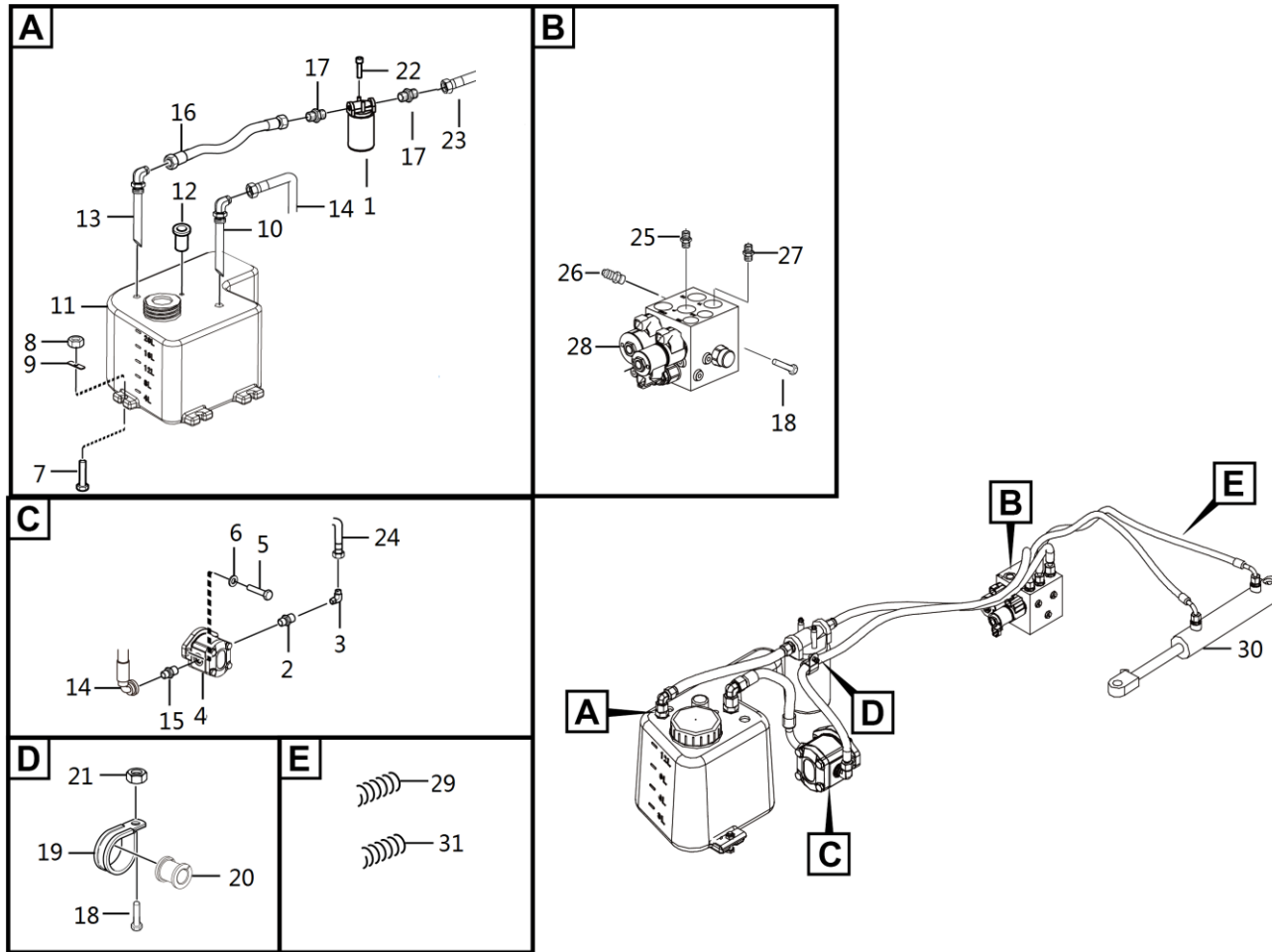
Travel system



Key	Part No.	Description	Spare parts Y/N	Qty	Remarks
1	4120001128	Oil filter	Y	1	
2	4129900314	Fitting ew12lomda3c	Y	1	
3	4120001373	Fitting ge12lr1/2edomdcf	Y	1	
4	4120001431	Function pump	Y	1	
5	4011011073	Bolt 3/8-24unf-2b*31flznyc-10.9-480	Y	2	
6	4015010339	Washer	Y	2	
7	4011011046	Bolt gb5783-m10*45flznyc-8.8-480	Y	3	
8	4013010296	Nut	Y	3	
9	25070000251	Plate, oil tank installation.	Y	3	
10	4120707717	吸油钢管总成	Y	1	
11	4120001349	Tank, hydraulic	Y	1	
12	4120001375	Air breather	Y	1	
13	25070000111	Pipe syetem	Y	1	
14	4120001376	Pipe	Y	1	
15	4120002235	Nipple	Y	1	
16	4120001440	Pipe	Y	1	
17	25070000091	Hydraulic fitting	Y	2	
18	4011010964	Bolt gb16674-m8*16flznyc-8.8-480	Y	6	
19	4041001132	Clamp	Y	2	
20	4041001252	Cushion	Y	2	
21	4013010291	Nutgb6170-m8flznyc-8-480	Y	2	
22	4011010735	Bolt	Y	2	

Hydraulic system

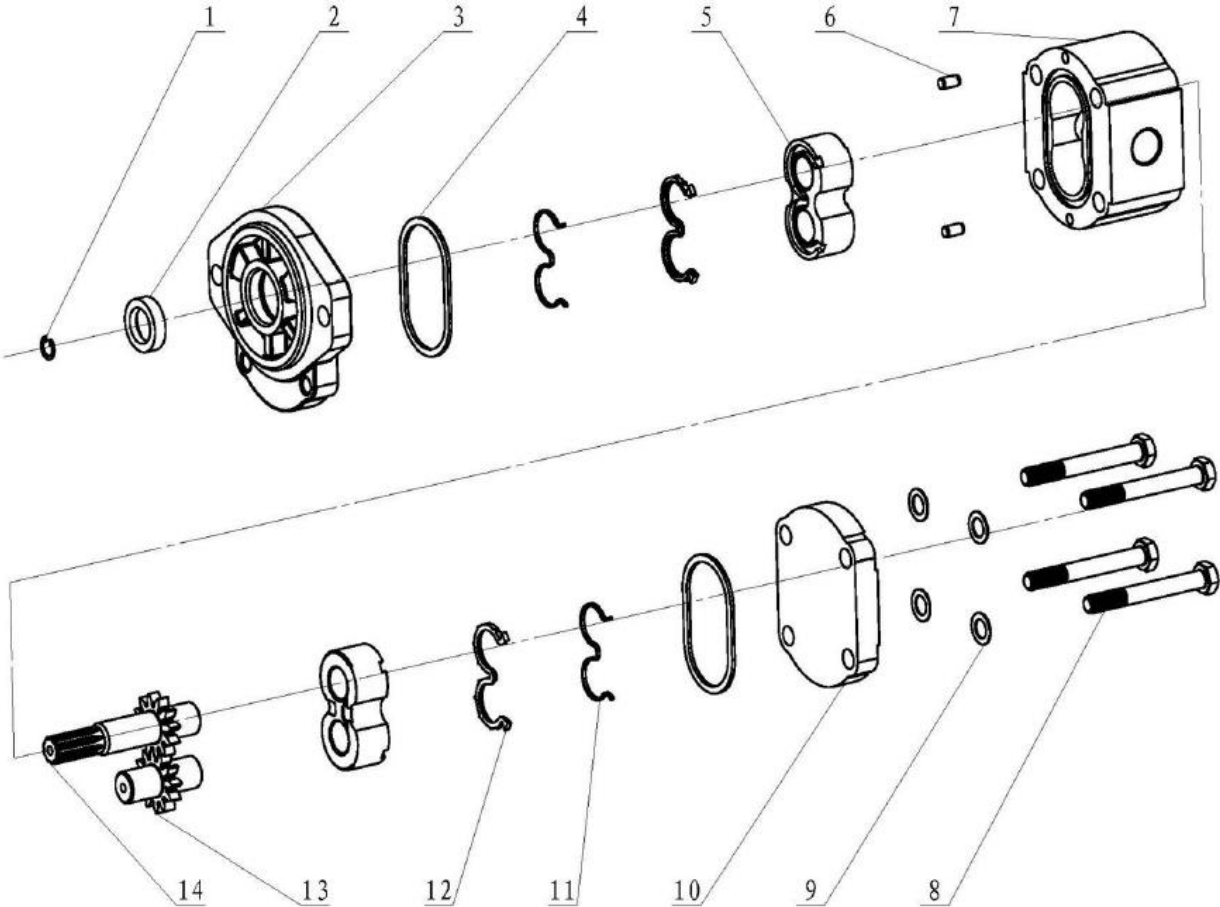
Travel system



Key	Part No.	Description	Spare parts Y/N	Qty	Remarks
23	4120702869	Pipe j20411-18-08tz/20441-18-08tz*sr1sn-08*850+hps450	Y	1	
24	4120704139	Pipe j20411-18-06tz/20411-16-06tz*sr16sc-06*1200	Y	1	
25	4120001165	Fitting ge10lr3/8edomdcf	Y	1	
26	4120001227	Jiont	Y	1	
27	4120001224	Fitting ge12lredomdcf	Y	1	
28	4120002040	Control valve	Y	1	
29	4120001532	Sleeve	Y	2	
30	25070002891	Steer cylinder	N	1	
31	4120001316	Sleeve, hose protector	Y	1	

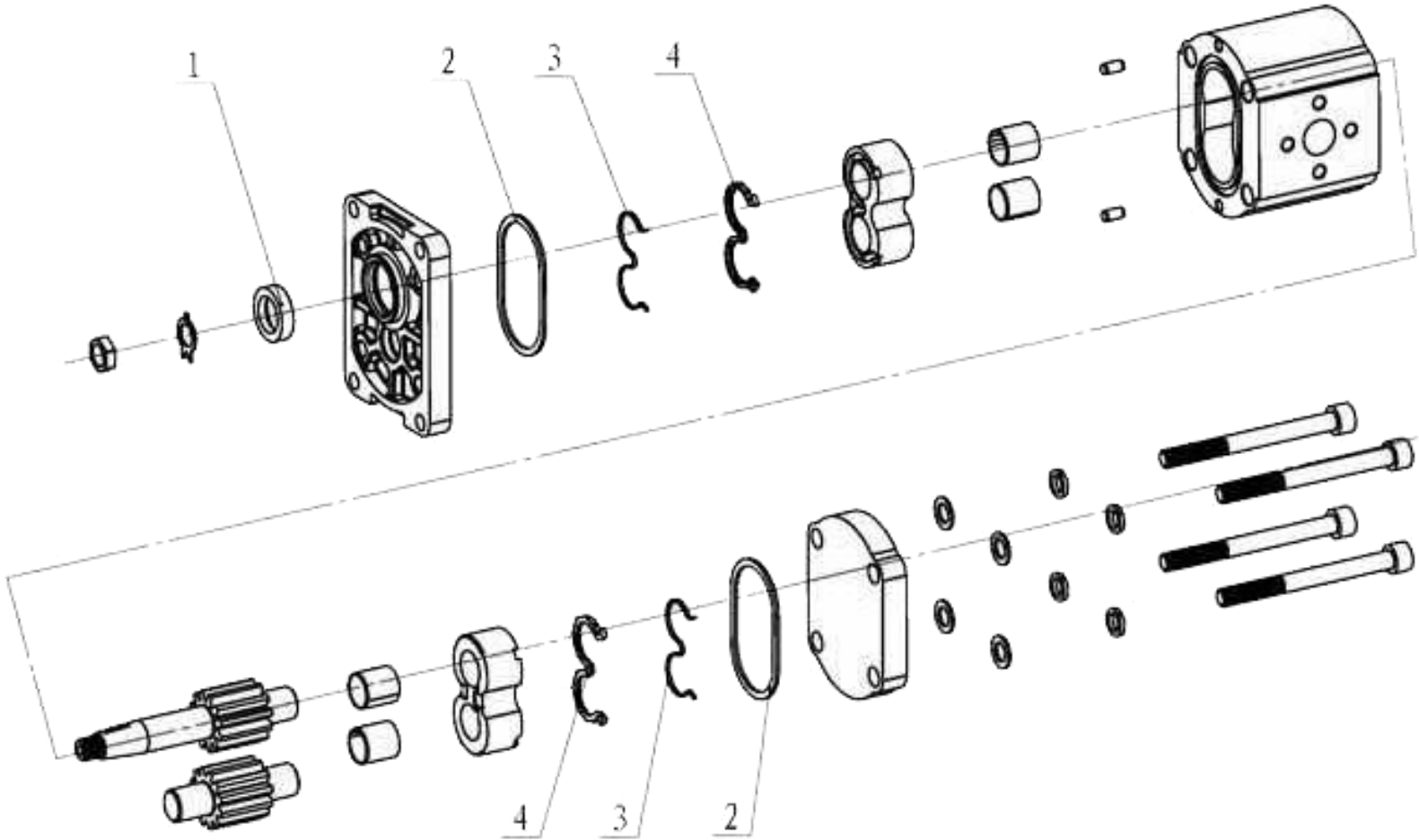


Pump

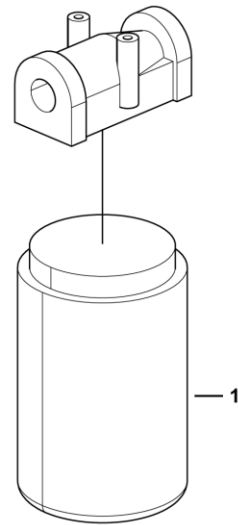


Key	Part No.	Description	Spare parts Y/N	Qty	Remarks
1	4120001431005	Seal	Y	1	
2	4120001431002	Oil seal	Y	1	
3	4120001431006	Cover	Y	1	
4	4120001431003	Seal	Y	2	
5	4120001431007	Sleeve	Y	2	
6	4120001431008	Pin	Y	2	
7	4120001431009	Pump	Y	1	
8	4120001431010	Bolt	Y	4	
9	4120001431011	Washer	Y	4	
10	4120001431012	Cover	Y	1	
11	4120001431004	Gasket	Y	2	
12	4120001431013	Gasket	Y	2	
13	4120001431014	Driving gear	Y	1	
14	4120001431015	Driving gear	Y	1	

Repair box

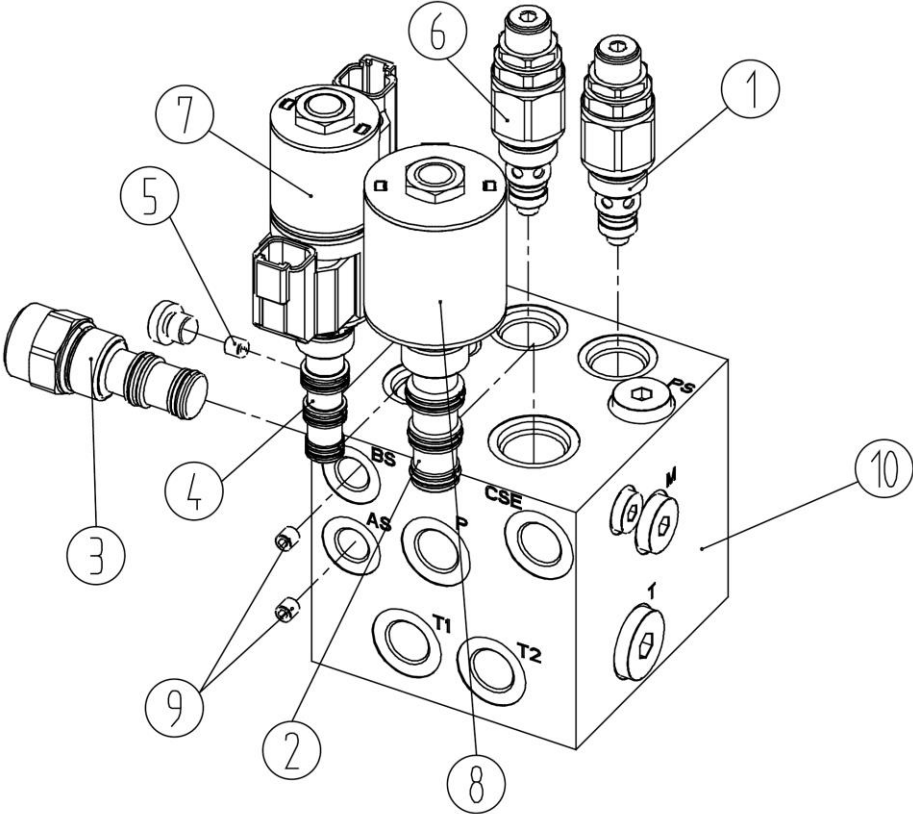


Filter



L2300-4120001128

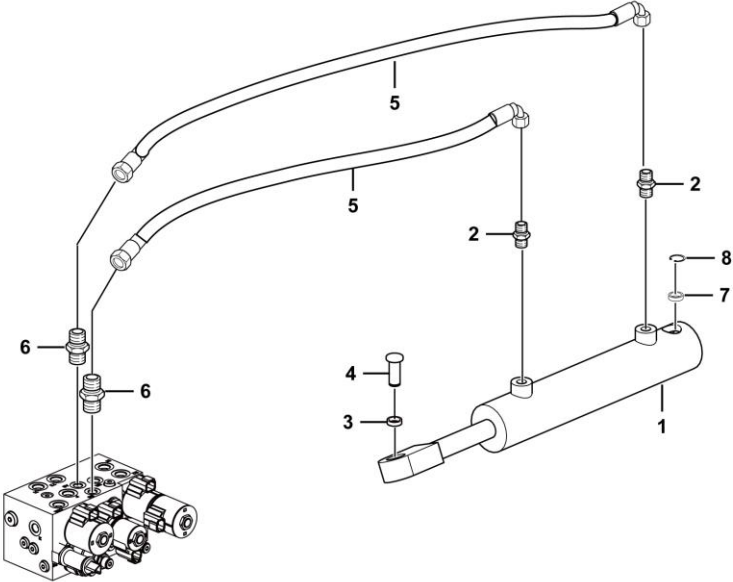
Control valve



L2300-4120002040

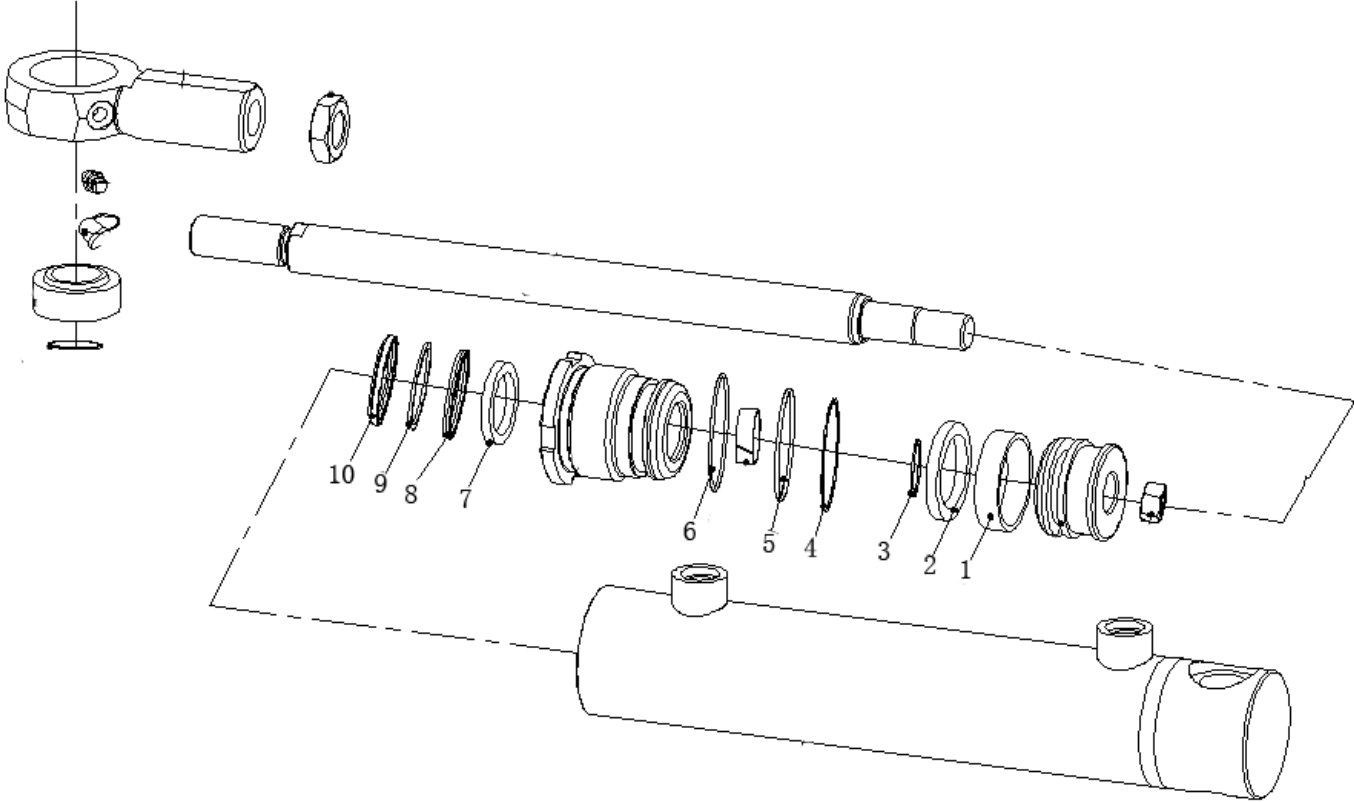
Key	Part No.	Description	Spare parts Y/N	Qty	Remarks
1	4120001901002	Relief valve	Y	1	
2	4120705126002	Valve sv10-40-0-n-00	Y	1	
3	4120001490005	Valve fr10-30f-0-n-/m2.8	N	1	
4	4120705126003	Valve sv08-47a-0-n-00	Y	1	
5	4120001159006	Damping	Y	1	
6	4120001901001	Relief valve	Y	1	
7	4120001490011	Coil 4303620	Y	2	
8	4120001490012	Coil 4303720	N	1	
9	4120703639021	Damping stty002-1.3	Y	2	
10	4120002040001	Valve st4500-ae00	Y	1	

Steering hydraulic assembly



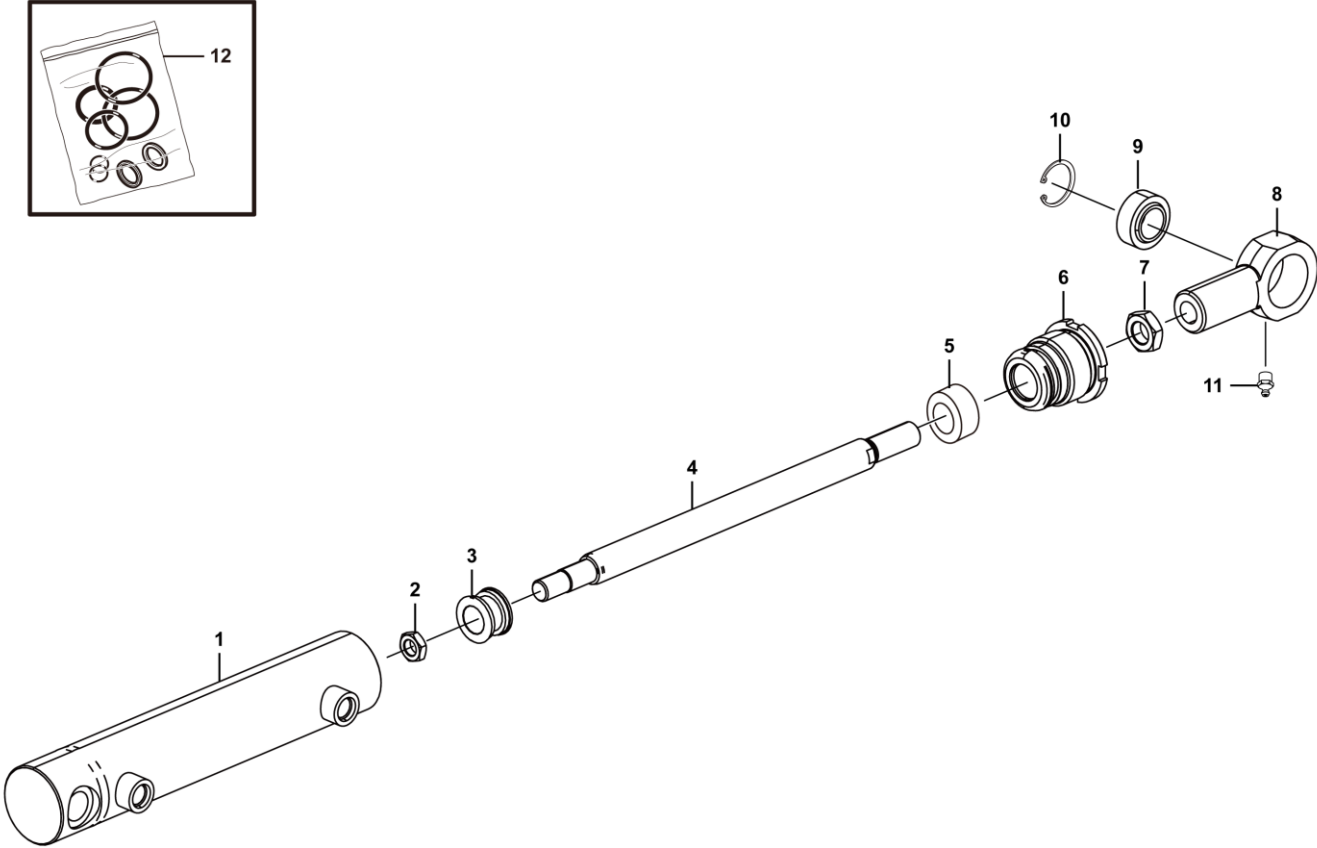
L2300-2507000289.S1a

Repair kit



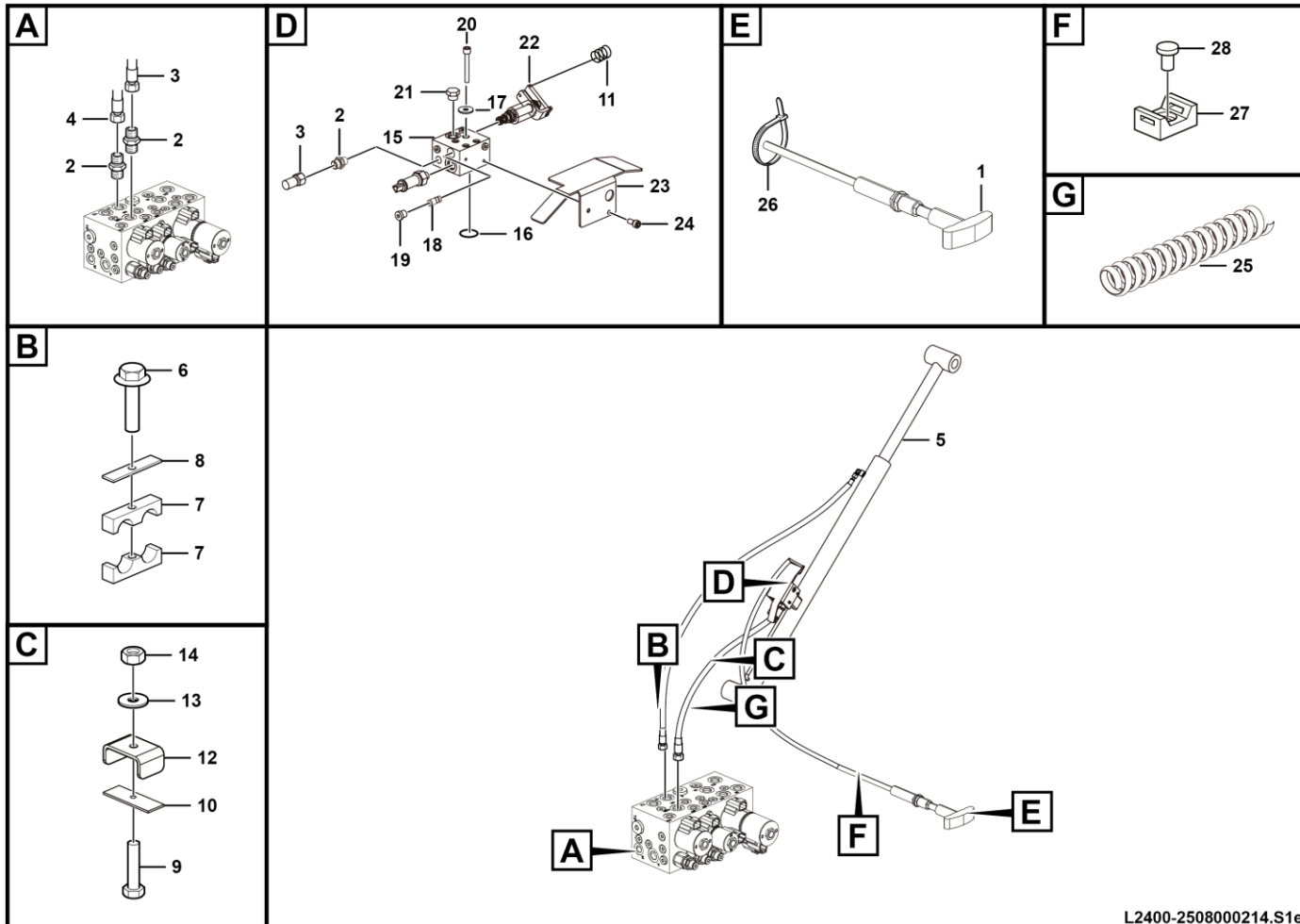
Key	Part No.	Description	Spare parts Y/N	Qty	Remarks
1	4120703457022	Bearing ring	N	1	
2	4120703457021	Sealing-piston	N	1	
3	4120703457020	O-ring	N	1	
4	4120703457018	Snap-o	N	1	
5	4120703457017	O-ring	N	1	
6	4120703457019	O-ring	N	1	
7	4120703457013	Step seal	N	1	
8	4120703457014	Sealing-piston rod	N	1	
9	4120703457015	Snap-u	N	1	
10	4120703457016	Sealing	N	1	

Steer cylinder



Key	Part No.	Description	Spare parts Y/N	Qty	Remarks
1	4120703457002	Cylinder body	Y	1	
2	4120703457003	Nut (nylon)	Y	1	
3	4120703457004	Piston	Y	1	
4	4120703457005	Piston rod	Y	1	
5	4120703457006	Gland bush	Y	1	
6	4120703457007	Cylinder head	Y	1	
7	4120703457008	Nut	Y	1	
8	4120703457009	Rod end	Y	1	
9	4120703457010	Bearing	Y	1	
10	4120703457011	Snap ring	Y	1	
11	4120703457012	Grease fitting	Y	1	
12	4120703457001	Repair box	Y	1	

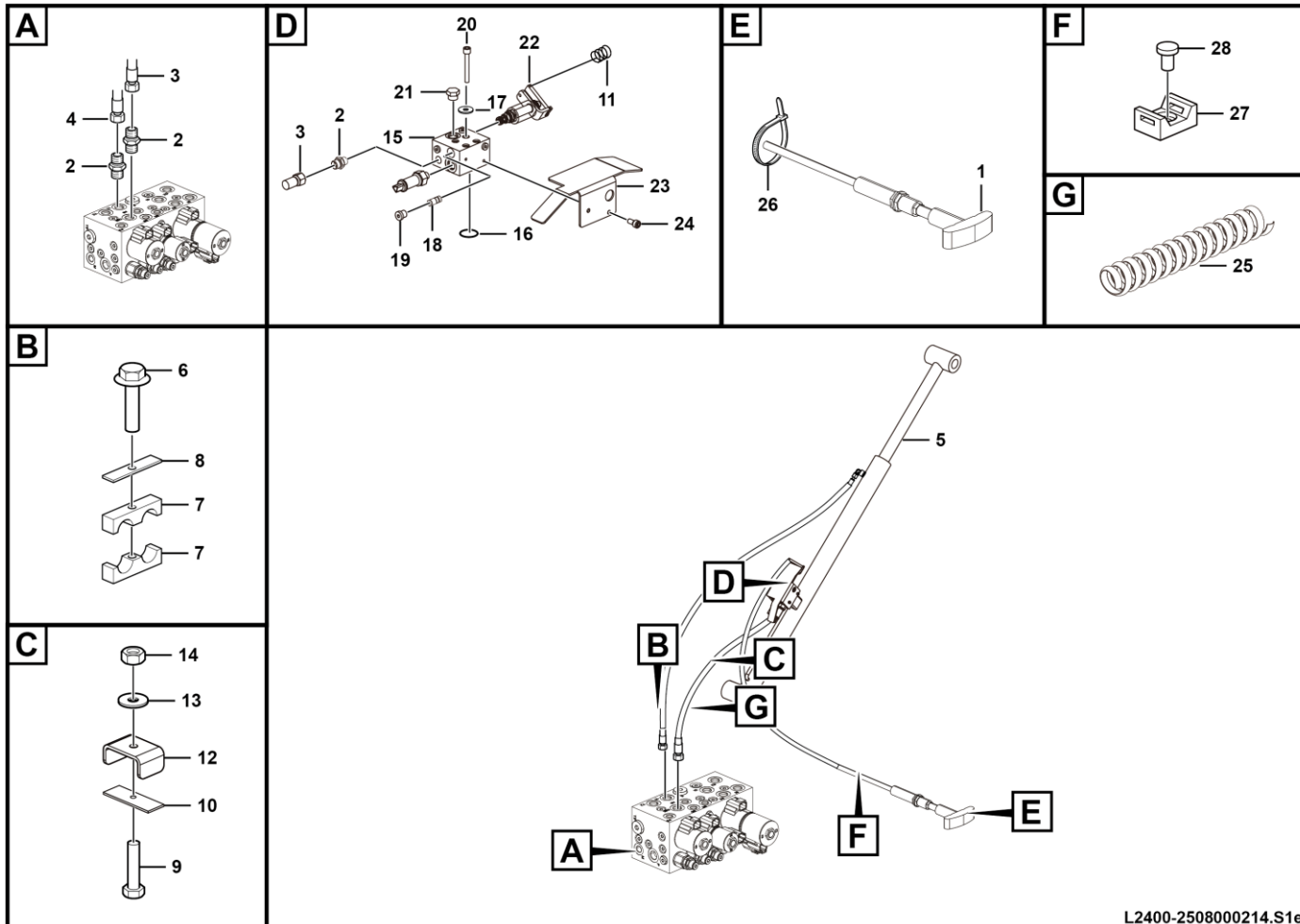
Lifting hydraulic assembly



L2400-2508000214.S1e

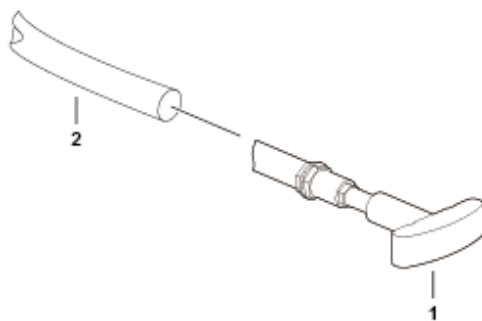
Key	Part No.	Description	Spare parts Y/N	Qty	Remarks
1	25080002072	Control cable	Y	1	
2	4120001499	Hydraulic fitting	Y	3	
3	4120702872	Hose assembly	Y	1	
4	4120702873	Hose assembly	Y	1	
5	4120703500	Lift cylinder	Y	1	
6	4011000527	Bolt	Y	1	
7	25060000391	Clamp 1	Y	2	
8	25080000151	Plate, hose clamp	Y	1	
9	4011000440	Bolt	Y	1	
10	25080000121	Rubber spacer	Y	1	
11	25080001331	Spring	Y	1	
12	25080000282	Plate	Y	1	
13	4015000207	Washer	Y	3	
14	4013000163	Nut	Y	1	
15	25080002252	Cylinder block	Y	1	
16	4120002399	O-ring	Y	1	
17	25080002881	M8 nut	Y	4	
18	4120001531	Check valve	Y	1	
19	4120002398	Plug	Y	1	
20	4014010231	Bolt	Y	4	
21	4120001130	Check valve	Y	1	
22	4120002350	Reverse proportional valve	Y	1	

Lifting hydraulic assembly



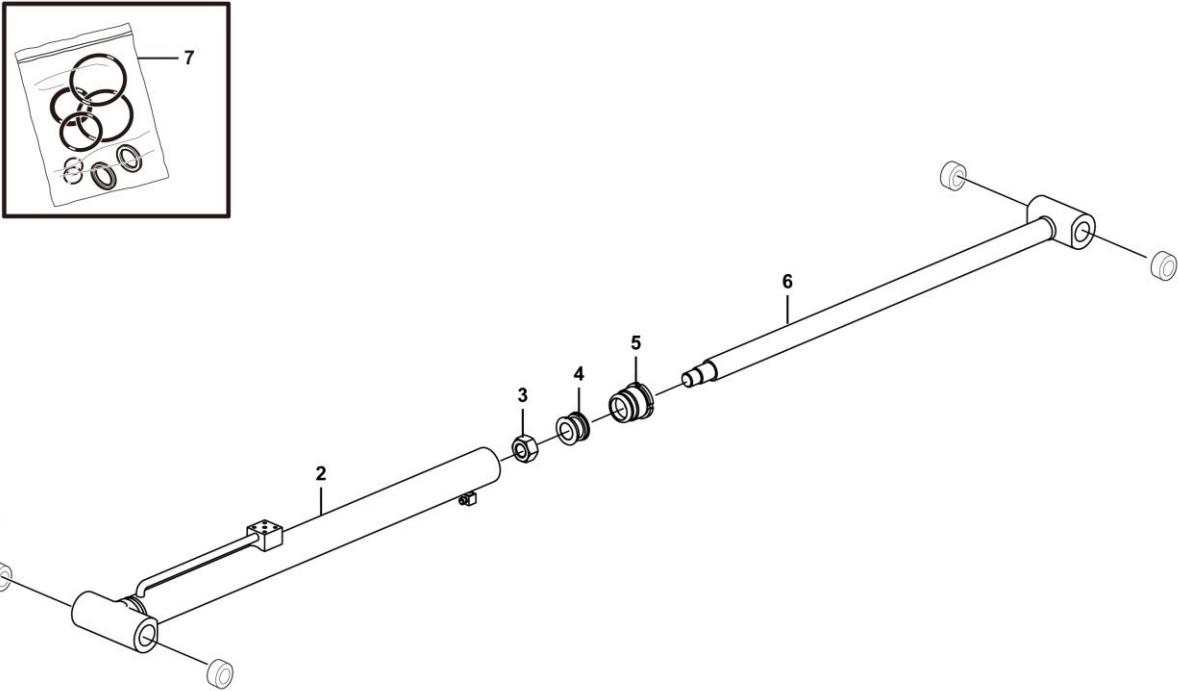
L2400-2508000214.S1e

Wire assembly



L2400-2508000207.S2a

Lifting cylinder

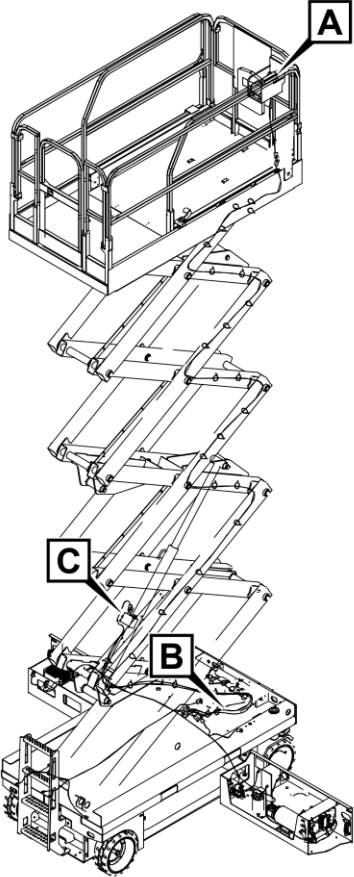
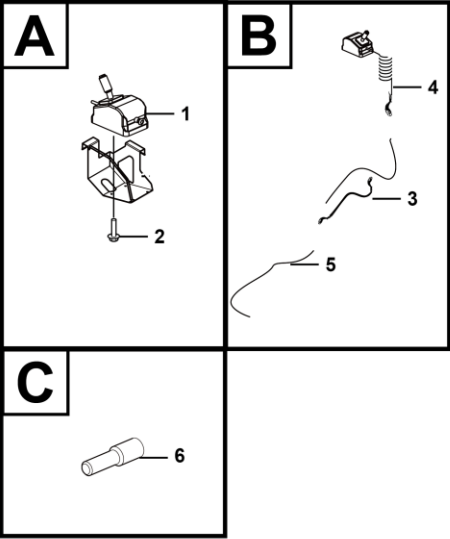


M
ELECTRIC SYSTEM



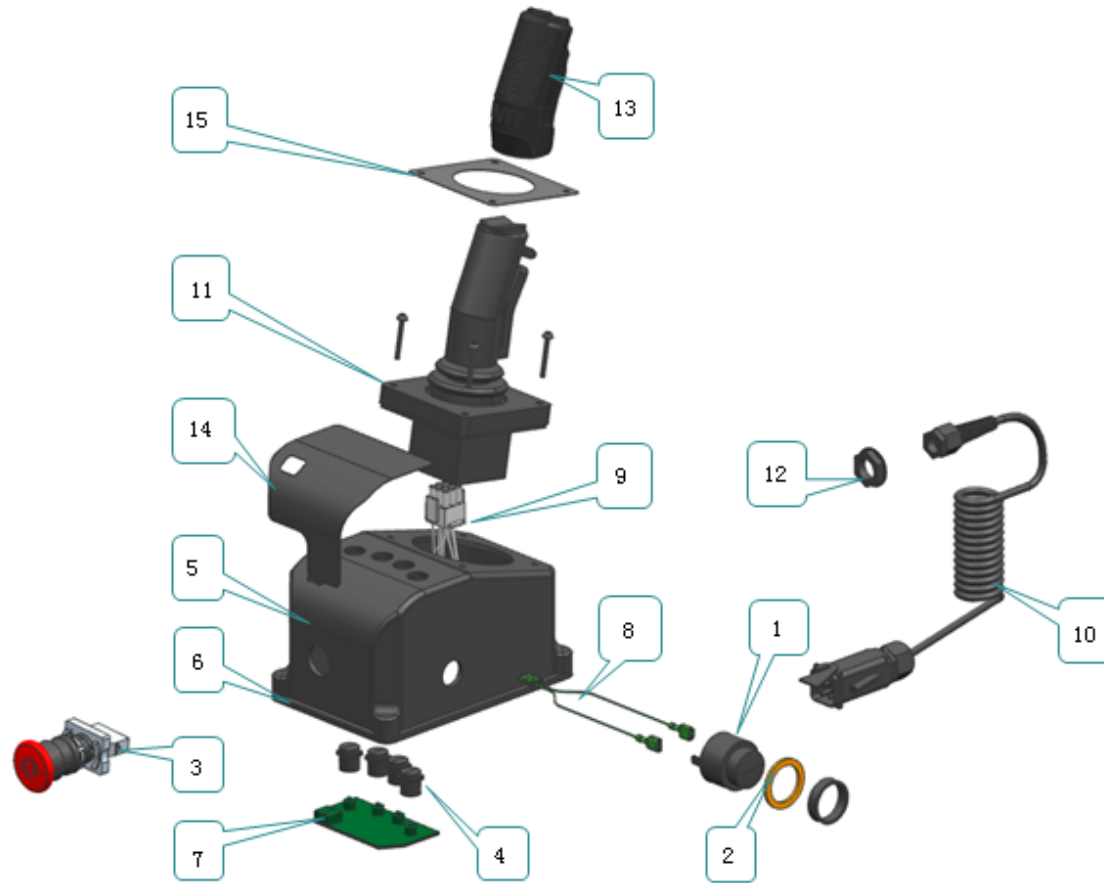
LINGONG GROUP JINAN HEAVY MACHINERY CO., LTD.

Electricity assembly



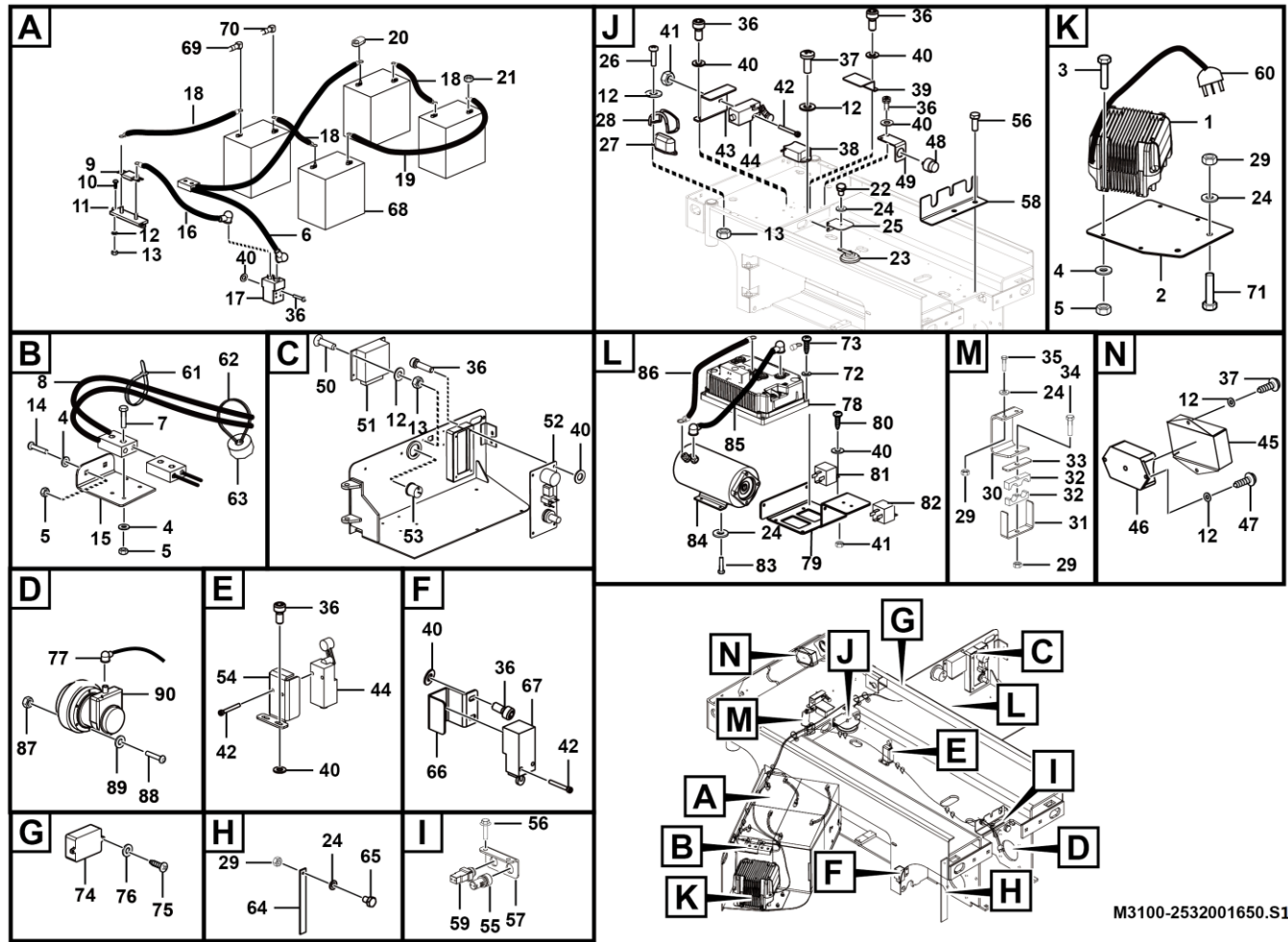
M2900-2530000975.S

Pcu



Key	Part No.	Description	Spare parts Y/N	Qty	Remarks
1	4130701636008	Buzzer	N	1	
2	4130702006001	Washer 29700048	Y	1	
3	4130701751007	Switch	Y	1	
4	4130702006002	Cat 20020125	N	4	
5	4130702006003	Box shell 20020043	Y	1	
6	4130702006004	Box cover20020042	Y	1	
7	4130702006005	Pcba 50020024	Y	1	
8	4130001046015	Buzzer wire	N	1	
9	4130701751011	Wire	Y	1	
10	4130701751009	Wire	N	1	
11	4130701751008	Handle	N	1	
12	4130702006007	Nut 29700005	Y	1	
13	4130701751012	Sheath	Y	1	
14	4130702429001	Surface	Y	1	
15	4130702006009	Pad pasting 20020232	Y	1	

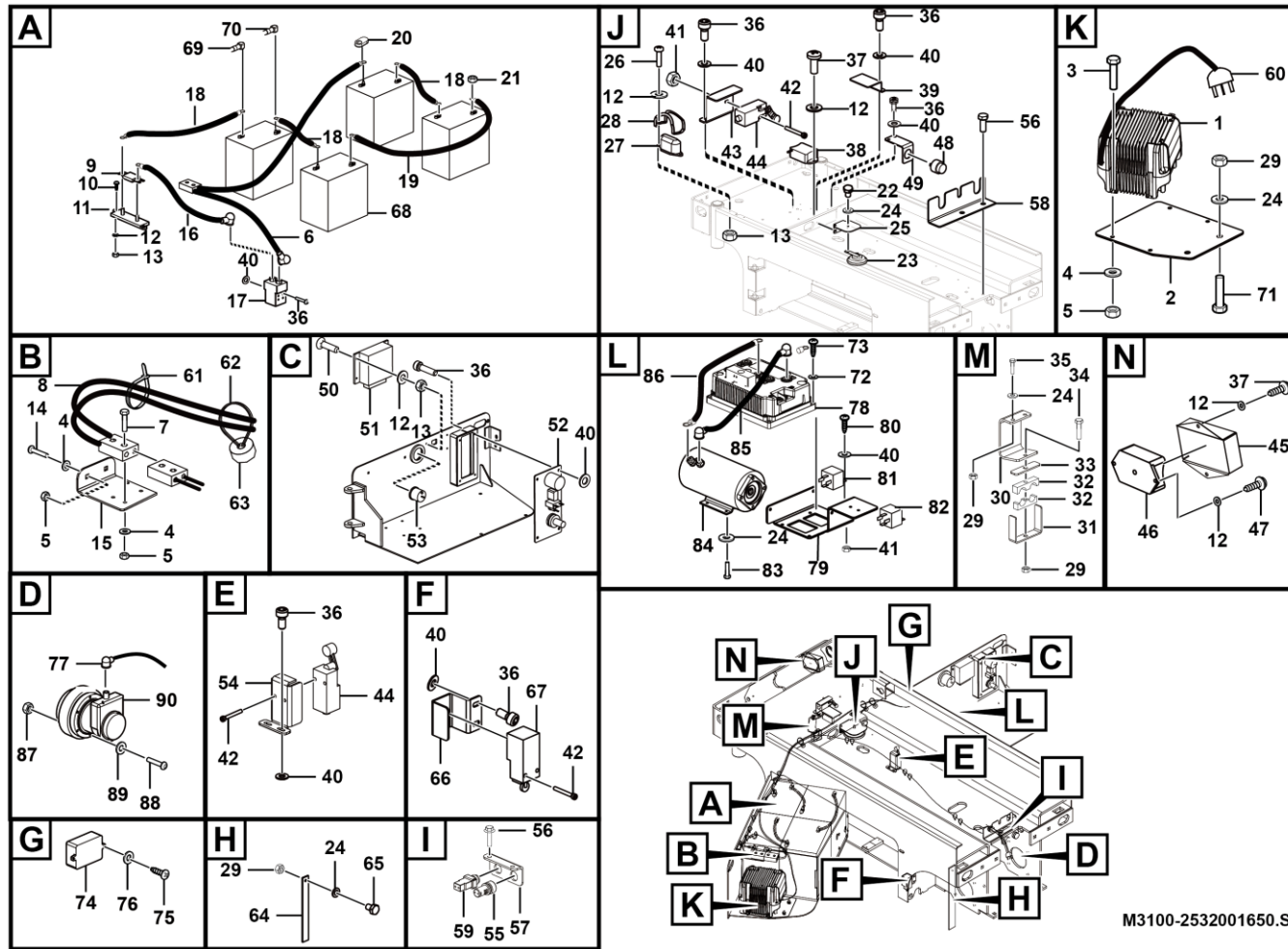
Chassis electric systems



M3100-2532001650.S1B

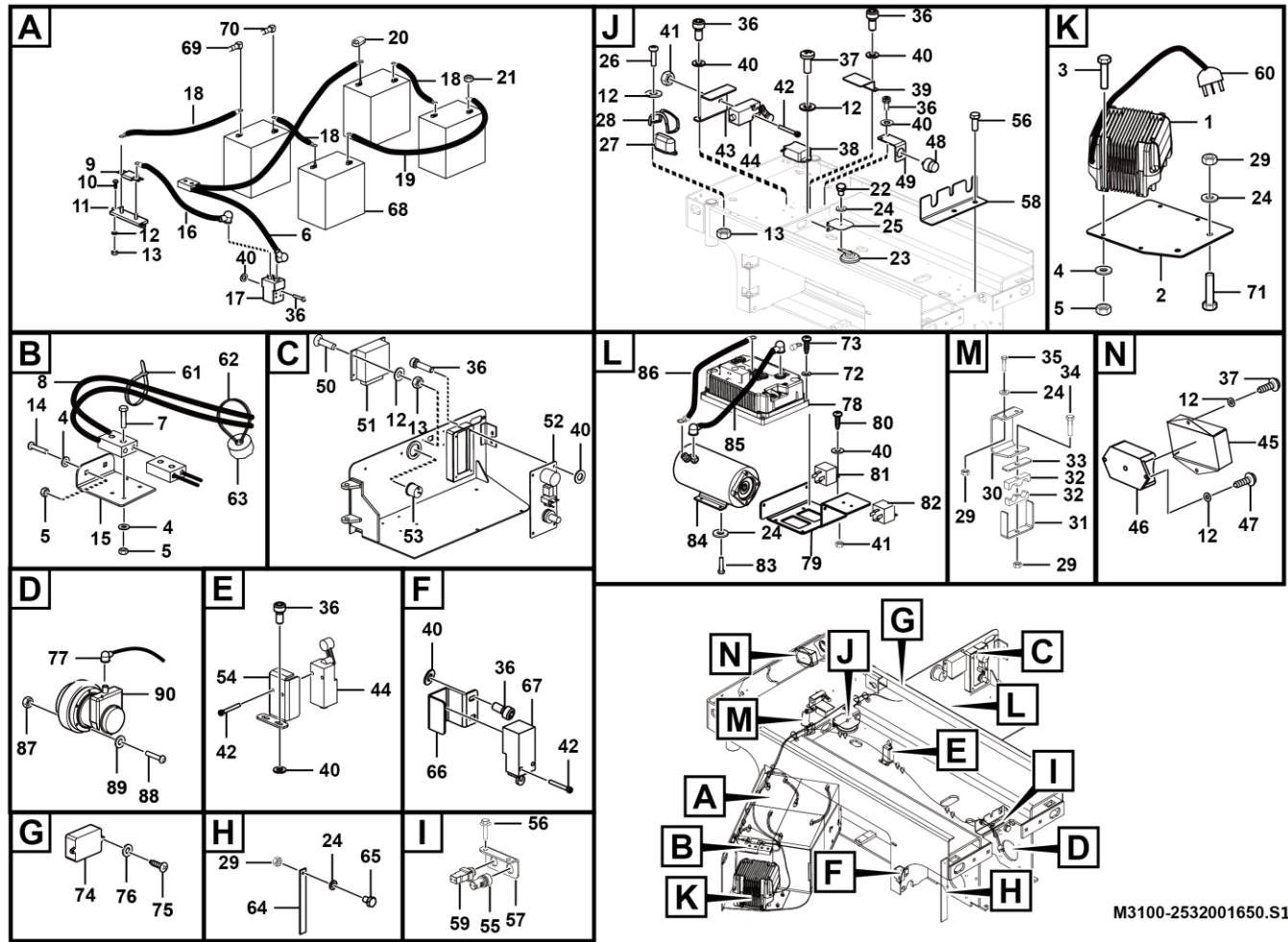
Key	Part No.	Description	Spare parts Y/N	Qty	Remarks
1	4130702292	Charger	Y	1	
2	25320000511	Plate, battery charger	Y	1	
3	4014010119	Screw	Y	4	
4	4015010284	Washer	Y	14	
5	4013010300	Nut	Y	14	
6	25320014062	Wire	Y	1	
7	4011010998	Bolt gb5783-m6*35flznyc-8.8-480	Y	2	
8	25320000633	Cable	Y	1	
9	4130000836	Fuse, mega	Y	1	
10	4014010133	Screw	Y	2	
11	4130000956	Fuse holder	Y	1	
12	4015010290	Washer	Y	18	
13	4013010304	Nut	Y	10	
14	4014010338	Screw gb70.3-m6*20flznyc-8.8-480	Y	4	
15	25320013891	Plate	Y	1	
16	25320000652	Cable	Y	1	
17	4130702085	Main contactor-24v	Y	1	
18	25320000662	Cable, battery	Y	3	
19	25320000672	Cable, battery	Y	1	
20	25320000171	Sleeve, protective	Y	8	
21	4013010382	Hexagon flange nuts	Y	8	
22	4011010970	Scerw gb5783-m8*16flznyc-8.8-480	Y	1	

Chassis electric systems



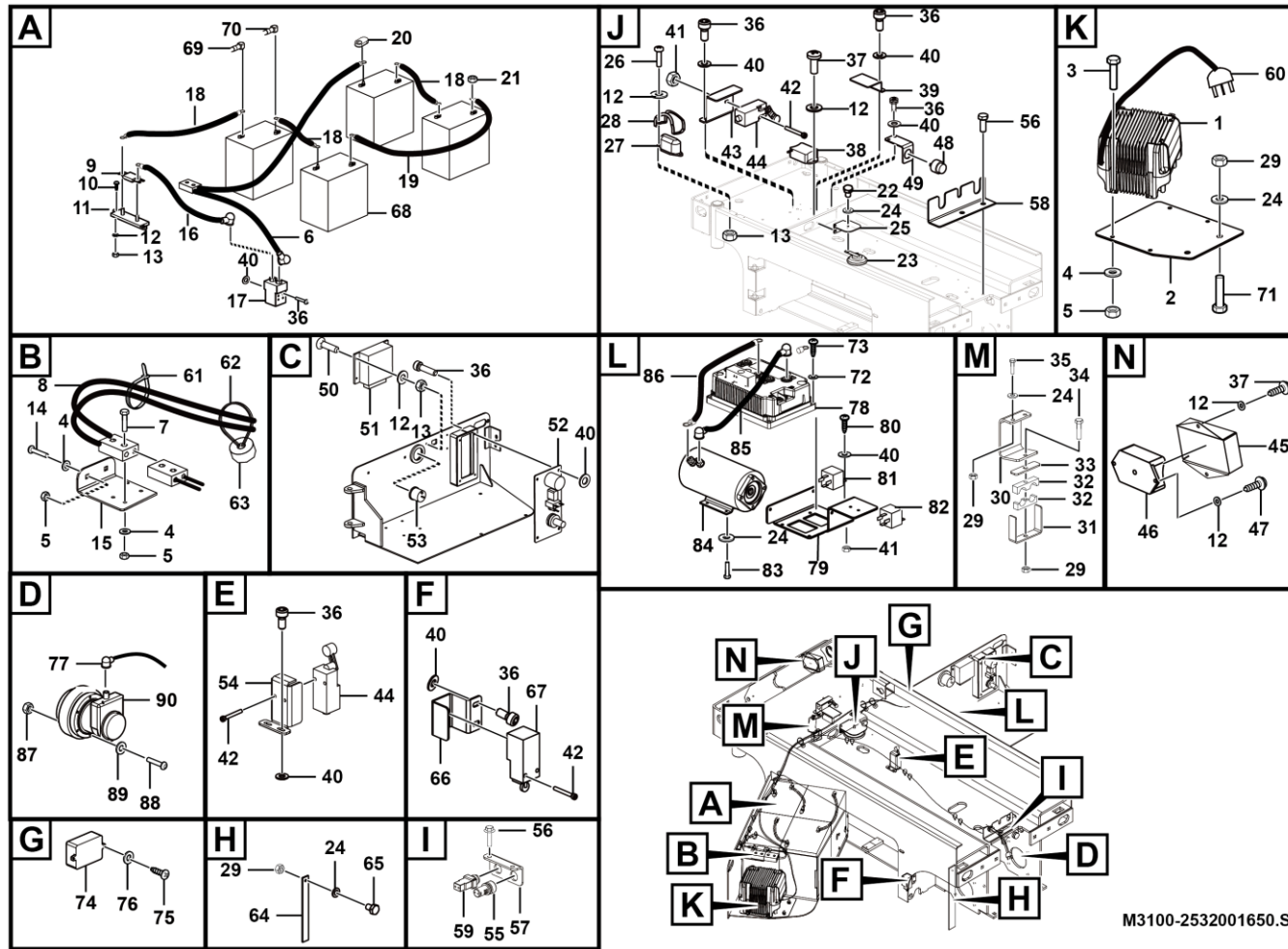
Key	Part No.	Description	Spare parts Y/N	Qty	Remarks
23	4130001194	Horn	Y	1	
24	4015010289	Washer	Y	10	
25	25320001141	Plate, horn mounting	Y	1	
26	4014010121	Screw	Y	4	
27	4130000729	Operating indicator	Y	2	
28	25320000192	Housing, operating indicator	Y	2	
29	4013010297	Nut	Y	6	
30	25320003431	Plate	Y	1	
31	25320003442	Plate	Y	1	
32	25080000143	Clamp, hose	Y	2	
33	25080000151	Plate, hose clamp	Y	1	
34	4011011058	Bolt gb16674-m8*45flznyc-8.8-480	Y	1	
35	4011010743	Bolt	Y	2	
36	4014010127	Screw	Y	18	
37	4014010416	Screw gb818-m4*10flznyc-8.8-480	Y	4	
38	4130000808	Tilt sensor	Y	1	
39	25320000521	Tilt sensor board	Y	1	
40	4015010283	Washer	Y	24	
41	4013010305	Nut	Y	6	
42	4014010123	Screw	Y	8	
43	25320000502	Switch mounting plate	Y	1	
44	4130000796	Switch, limit	Y	2	

Chassis electric systems



Key	Part No.	Description	Spare parts Y/N	Qty	Remarks
45	25320000351	Plate, angle sensor mounting	Y	1	
46	4130000734	Angle sensor	Y	1	
47	4014010124	Screw	Y	2	
48	4130000797	Alarm	Y	1	
49	25320000531	Plate, alarm mounting	Y	1	
50	4014010126	Screw	Y	4	
51	4130702417	Ecu	Y	1	
52	4130001288	Ground control unit	Y	1	
53	4130000726	Hour meter	Y	1	
54	25320000542	Limit switch, cover	Y	1	
55	4130000723	Key selector switch	Y	1	
56	4011010993	Bolt b16674-m10*20flznyc-8.8-480	Y	2	
57	25320016661	Plate	Y	1	
58	25080000041	Plate	Y	1	
59	4130000866	Alarm	Y	1	
60	25320005421	Cable	Y	1	
61	4190000020	Clip, tie wrap	N	20	
62	4190000145	Rubber clamp	Y	7	
63	4120000226	Isolator, nylon	Y	7	
64	25320002461	Conduction band	Y	1	
65	4011011059	Bolt gb12-m8*30flznyc-8.8-480	Y	1	
66	25320000571	Plate, limit switch mounting	Y	2	

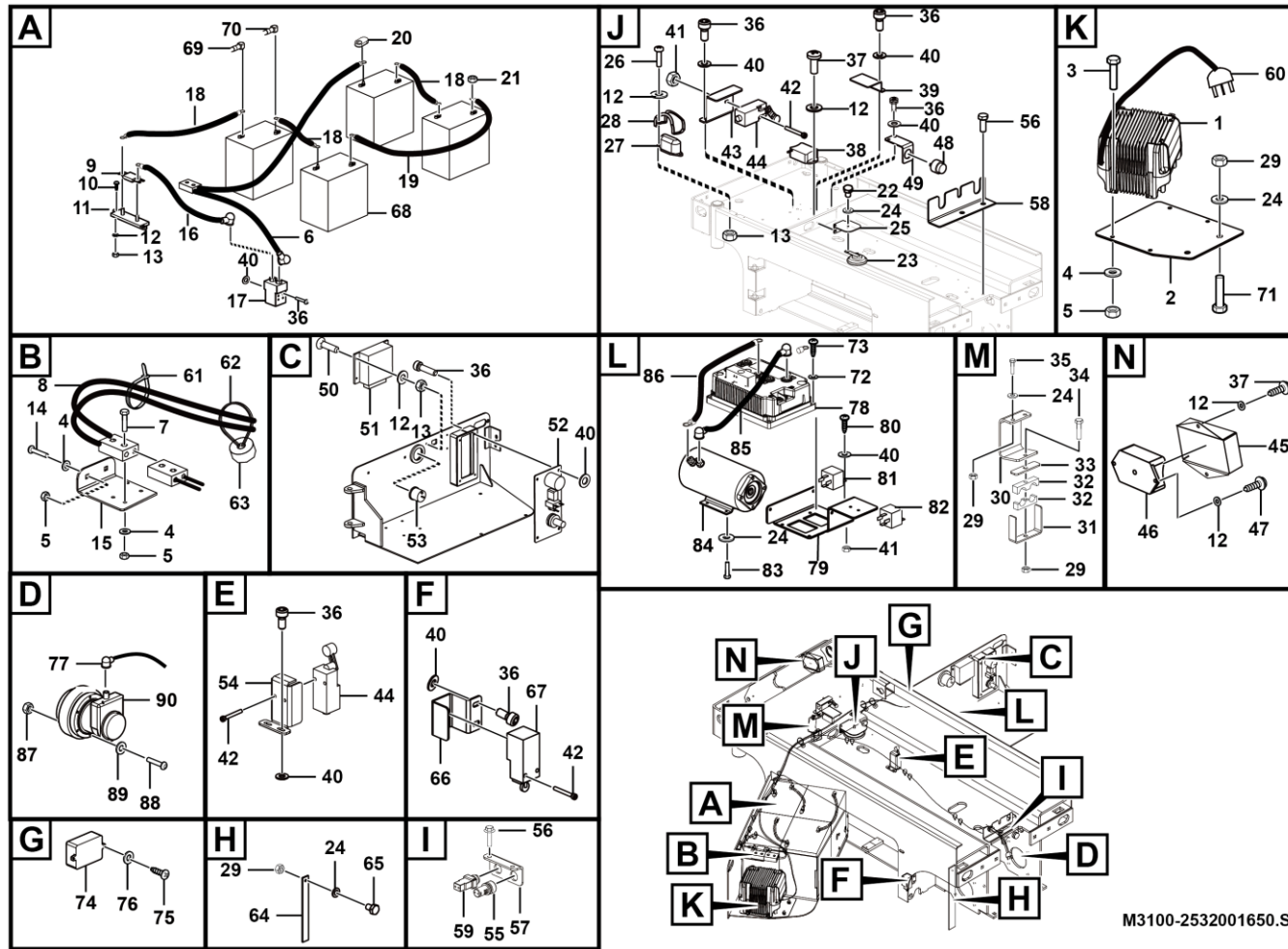
Chassis electric systems



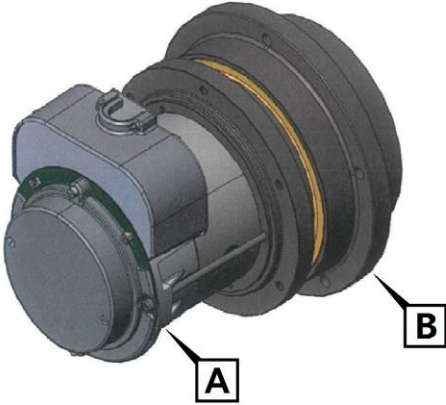
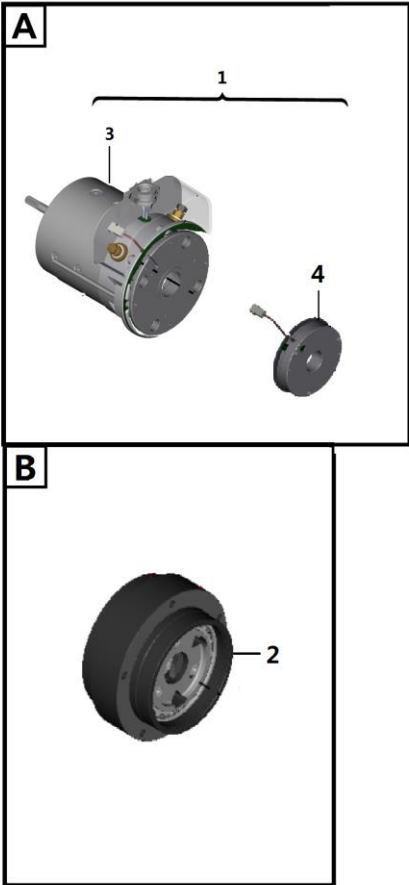
M3100-2532001650.S1B

Key	Part No.	Description	Spare parts Y/N	Qty	Remarks
67	4130000880	Switch, pothole protection limit	Y	2	
68	4130000709	Battery	Y	4	
69	25320015671	Protective cap-red	Y	8	
70	25320015681	Protective cap-black	Y	7	
71	4011010994	Bolt gb16674-m8*25flznyc-8.8-480	Y	2	
72	4015010345	Washer	Y	4	
73	4014010386	Screw gb818-m5*20flznyc-4.8-480	Y	4	
74	4130702294	Braking protect box	Y	1	
75	4014010463	Screw gb70.1-m3*20flznyc-8.8	Y	2	
76	4015010370	Washer	Y	2	
77	25320003733	Wire	Y	1	
78	4130000843	Motor controller	Y	1	
79	25320003271	Plate	Y	1	
80	4014010131	Screw	Y	2	
81	4130000722	Relay	Y	1	
82	4130702007	Time delay	Y	1	
83	4011010424	Bolt	Y	4	
84	4130000710	Pump motor ge5.5 24vdc	Y	1	
85	25320001762	Wire	Y	1	
86	25320003312	Wire	Y	1	
87	4013010290	Nutgb6170-m8flznyc-8-480	Y	12	
88	4011011046	Bolt gb5783-m10*45flznyc-8.8-480	Y	12	

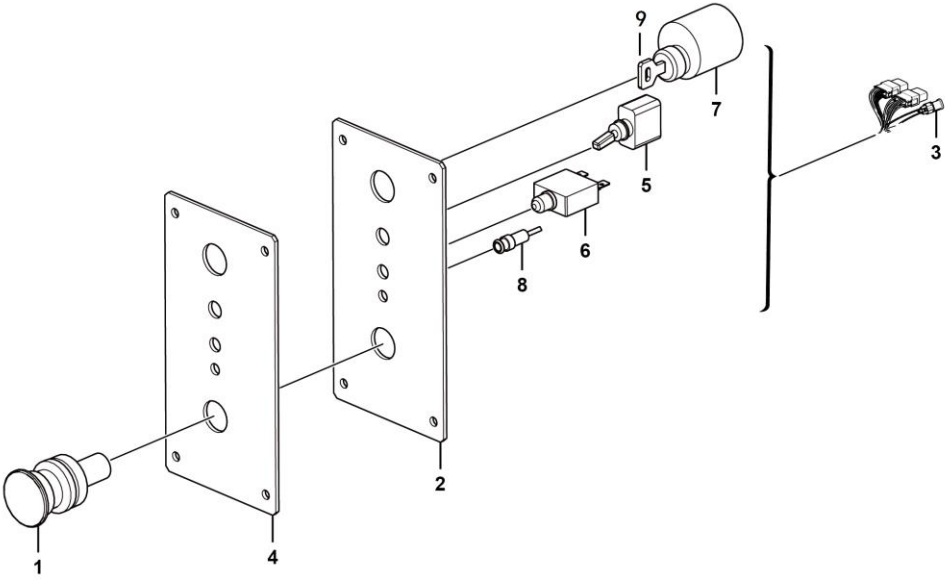
Chassis electric systems



Motor

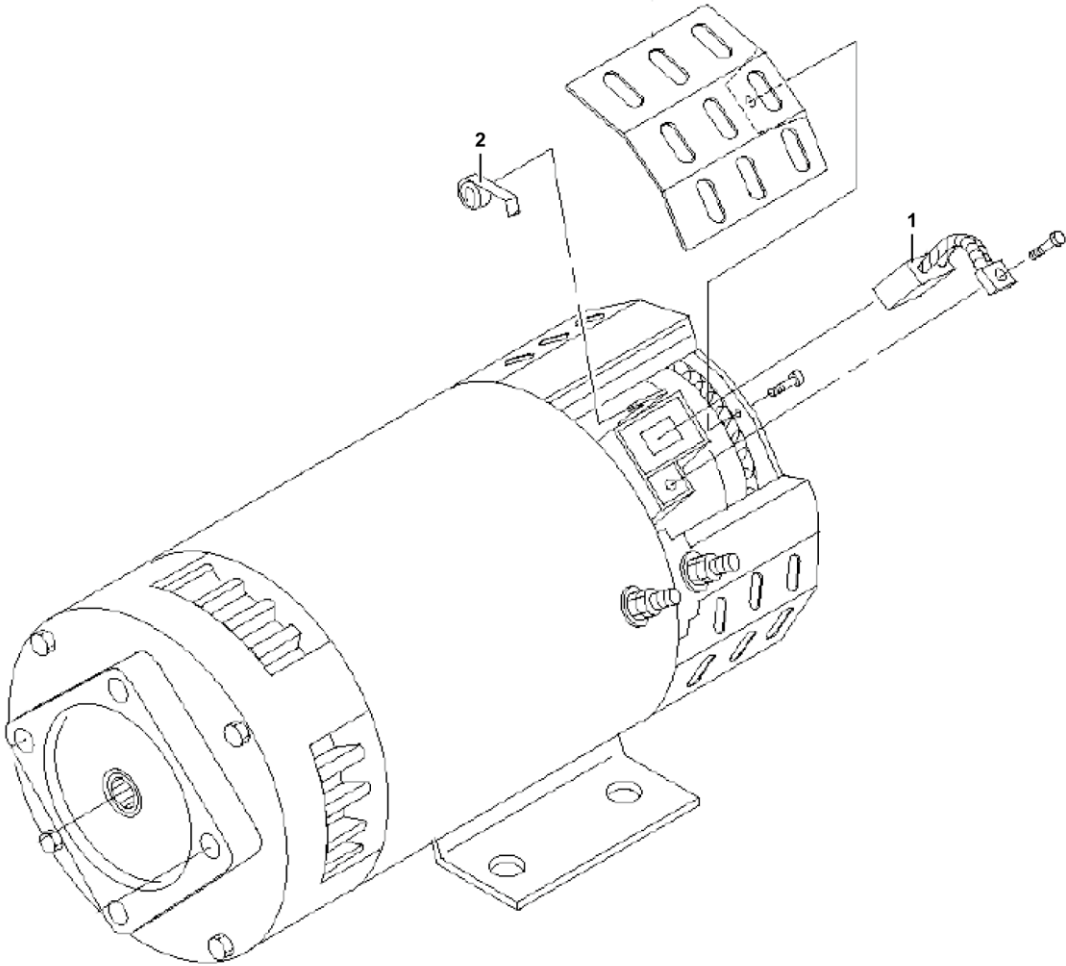


Ground control unit

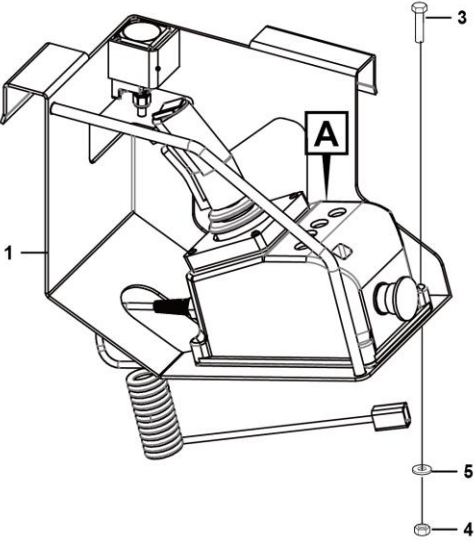
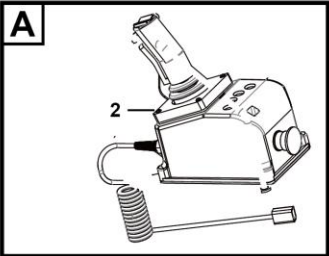


M3101-4130001288

Motor

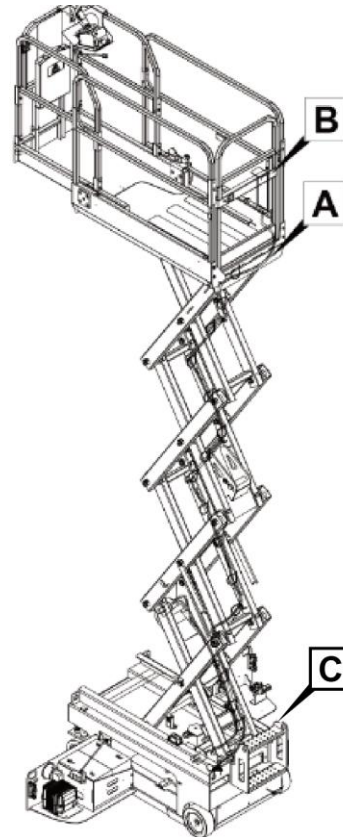
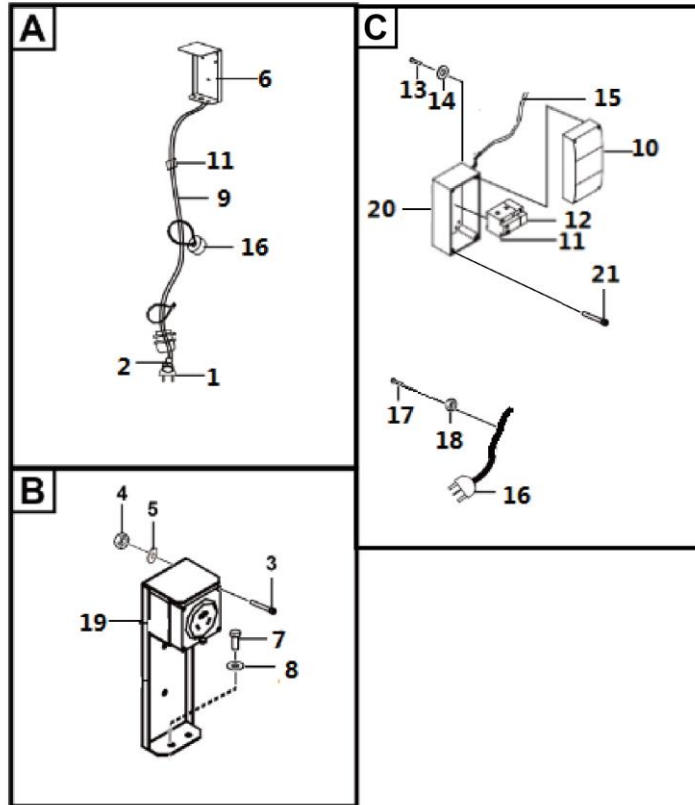


Wireless anti collision controller assembly



M3100-2530000999.S

Electric assembly



M3200-2533000680.S1B

Key	Part No.	Description	Spare parts Y/N	Qty	Remarks
1	4130702374	Device plug	Y	1	
2	4019010267	Plug	Y	4	
3	4014010450	Screw gb818-m6*25flznyc-4.8	Y	4	
4	4013010299	Nut	Y	7	
5	4015010284	Washer	Y	10	
6	25330006741	Ac plate	Y	1	
7	4011010746	Bolt	Y	2	
8	4015010280	Washer	Y	2	
9	25330006971	Wire	Y	1	
10	4130701803	Fuse box	Y	1	
11	4130701801	Circuit braker	Y	1	
12	4130701802	Circuit breaker	Y	1	
13	4014010131	Screw	Y	4	
14	4015010283	Washer	Y	8	
15	25330007001	Wire	Y	1	
16	4130702352	Plug	Y	1	
17	4014010128	Screw gb70.1-m5*25flznyc-8.8-480	Y	4	
18	4013010305	Nut	Y	4	
19	25340018031	Decal	N	1	
20	25330009711	Plate welding	Y	1	
21	4014010132	Screw	Y	3	

