

# **AR16J AERIAL WORK PLATFORM PARTS CATALOG**



**LINGONG GROUP JINAN HEAVY MACHINERY CO., LTD.**

## **Spare parts and services**

For the owner of the machines of LGMG, only the spare parts and services of LGMG can make your machine to better maintain the original features.

Only LGMG is able to provide you with the perfect match of pure quality spare parts for your machine and knowledge of professional maintenance staff. Only in this way it can ensure sustainable high productivity and longer service life.

## **AR16J AERIAL WORK PLATFORM PARTS CATALOG**

2014-11 Version 1 Printed 1

LINGONG GROUP JINAN HEAVY MACHINERY CO., LTD.

Add: Zhongrun Century Square, No. 13777, Jingshi Road, Lixia, Jinan, Shandong, P.R. China

Tel: 86-0531-81663345

Fax: 86-0531-81666853

Web: [WWW.LGMG.COM.CN](http://WWW.LGMG.COM.CN)

# FOREWORD

This parts catalog of AR16J aerial work platform is made for the convenience of users to use, repair and maintain the machine, which can be referred in the process of using. It can also help the users to be familiar with the structure and assembly relation of the machine. Parts of the engine are showed in details in its structure handbook, which are no longer contained in the catalog.

The catalog identifies drawings and assembly relations of different parts according to the system. Components which can not be taken apart, such as welding parts or riveted assemblies, are marked only by their code without the list of their consisting parts. The list in the catalog is arranged in Chinese and English.

This catalog is based on the AR16J standard product, which can be a reference for the other nonstandard products, for more information, please consult LGMG, the local dealer or LinGong website. With the advancement of technology, we will keep on improving the product, so some content in the catalog may be inconsistent with the future products, which will not notice the users. When ordering the spare parts, please be kindly inform us the manufacturing date and serial number of the machine.

THE COMPILER  
2013.6





# CONTENTS

<b>A. Diesel engine system</b>	<b>BoM Reference</b>	<b>Page</b>
Engine system	A0100-2501000848.S1C	10
Engine mount system	A0100-2501000847.S1B	12
Engine cooling system	A0100-2501000852.S1C	14
Radiator	A0101-4110702734	16
Intake system	A0100-2501000879.S1B	18
Filter	A0100-4110001498	20
Transmission system	A0100-2501000883.S1A	22
Flywheel coupling fl10 t48 l=42 sae16/32 z=15	A0100-4110001408	24
Exhaust system	A0100-2501000886.S1C	26
Oil system	A0100-2501001904.S1B	28
Fuel water separator assembly	A0100-4110702736	32
Assembly	A0200-2502000181.S1A	34
Cooler assembly	A0300-2503000016.S1B	36
Hydraulic oil cooler	A0100-4120703394	38
<b>B. Axle system</b>	<b>BoM Reference</b>	<b>Page</b>
Front axle assembly	B0400-2504000278.S1C	42
Rear axle assembly	B0500-2505000221.S1C	46
<b>D. Chassis system</b>	<b>BoM Reference</b>	<b>Page</b>
Chassis	D0700-2516001471.S1A	50

<b>E. Brake system</b>	<b>BoM Reference</b>	<b>Page</b>
Service brake assembly	E1100-2506000132.S1A	54
<b>H. Swing system</b>	<b>BoM Reference</b>	<b>Page</b>
Turntable assembly	H1400-2523000940.S1C1	58
Counterweight assembly	H1600-2528000088.S	62
<b>I. Cover accessory</b>	<b>BoM Reference</b>	<b>Page</b>
Assembly	I1701-2529001441.S1B	66
Assembly	I1700-2529001438.S3B	70
Assembly	I1700-2529001439.S3B	72
<b>J. Boom system</b>	<b>BoM Reference</b>	<b>Page</b>
Bracket assembly	J1800-2522000544.S1B	76
Arm	J1801-2522000301.S1A	80
Extend stretch arm assembly	J1802-2522000545.S1B	84
Shield assembly	J1800-2522001186.S	86
Cable carrier system	J2000-2524000072.S1A	88
Arm assembly	J2400-2527000030.B1C	90
<b>K. Platform assembly</b>	<b>BoM Reference</b>	<b>Page</b>

Platform assembly	K2100-2521004170.S1D	96
Platform support assembly	K2100-2521004171.S1B	100
Bracket assembly	K2100-2521003944.S	102
Frame	K2100-2521005757	104
U-shaped lifting cross bar assembly	K2100-2521003957.S	106
U-shaped lifting cross bar assembly	K2100-2521003960.S	108

<b>L. Hydraulic system</b>	<b>BoM Reference</b>	<b>Page</b>
部件	L2200-2510000407.S	112
Oil tank	L2200-2510000316.S	114
Air filter assembly	L2201-4120001427	116
Steering hydraulic assembly	L2300-2539000021.S	118
Drive hydraulic assembly	L2300-2507000690.S1C1	120
Seal kit	L2300-4120703167001	126
Drive motor	L2300-4120001570	128
Seal kit	L2300-4120001570045	132
Lifting hydraulic assembly	L2400-2508000610.S1B1	134
Primary boom hydraulic assembly	L2400-2508000604.S	138
Valve	L2400-4120703873	140
Cylinder	L2400-4120705967	142
Kit	L2400-4120705967008	144
Telescope hydraulic assembly	L2400-2508000607.S	146

---

Cylinder	L2300-4120703577	148
Cylinder	L2300-4120703577005	150
Valve	L2400-4120705322	152
Platform level hydraulic assembly	L2400-2508000611.S1B	154
Cylinder	L2400-4120704843	156
Cylinder	L2400-4120704843001	158
Lower lift hydraulic	L2400-2508000613.S1B1	160
Turntable hydraulic assembly	L2700-2509000105.S1D	162
Driver pump	L2300-4120001425	168
High-pressure filter kglb-0080005l	L2300-4120001428	176
Power unit	L2700-4120705722	178
Pump	L2700-4120706421	180
Oscillating hydraulic assembly	L2600-2511000069.S1B	182
Valve	L2600-4120703386	186
Cylinder	L2600-4120705267	188
Valve	L2700-4120705600	190
Hydraulic assembly	L2700-2512000021.S1D1	192
Manifold	L2700-4120706643	196
Jib boom cylinder	L2700-4120705183	198
Kit	L2700-4120705183011	200
Valve	L2700-4120703556	202
Swing hydraulic	L2500-2525000049.S1A	204

---

---

Swing drive assembly

L2500-4120704632

206

**M. Electric system**

**BoM Reference**

**Page**

System

M3000-2531000367.S1C1

210

System

M3000-2531000369.S1A

214

System

M3200-2533000713.S1C

218

Control box

M3200-2531001329.S1B

220

Control box

M3300-2533001142.S1B

224

Liftguard

M3200-2521005068.S

228

Anti-crushing rod assembly

M3200-2521004246.S1B

232

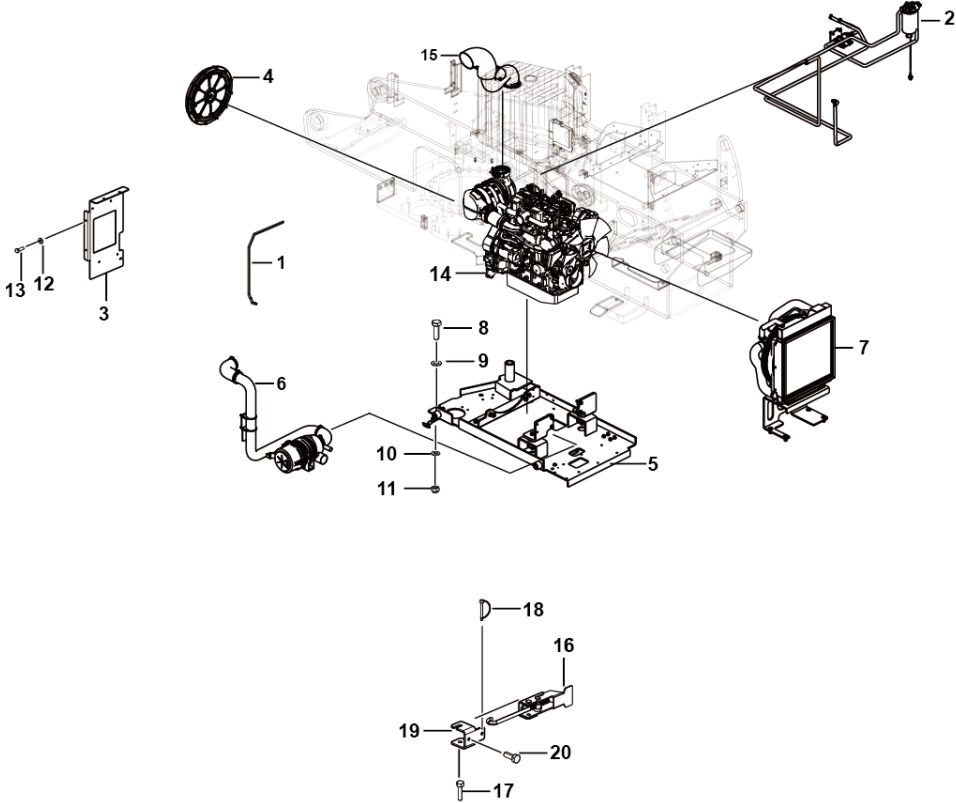


**A**  
**DIESEL ENGINE SYSTEM**



**LINGONG GROUP JINAN HEAVY MACHINERY CO., LTD.**

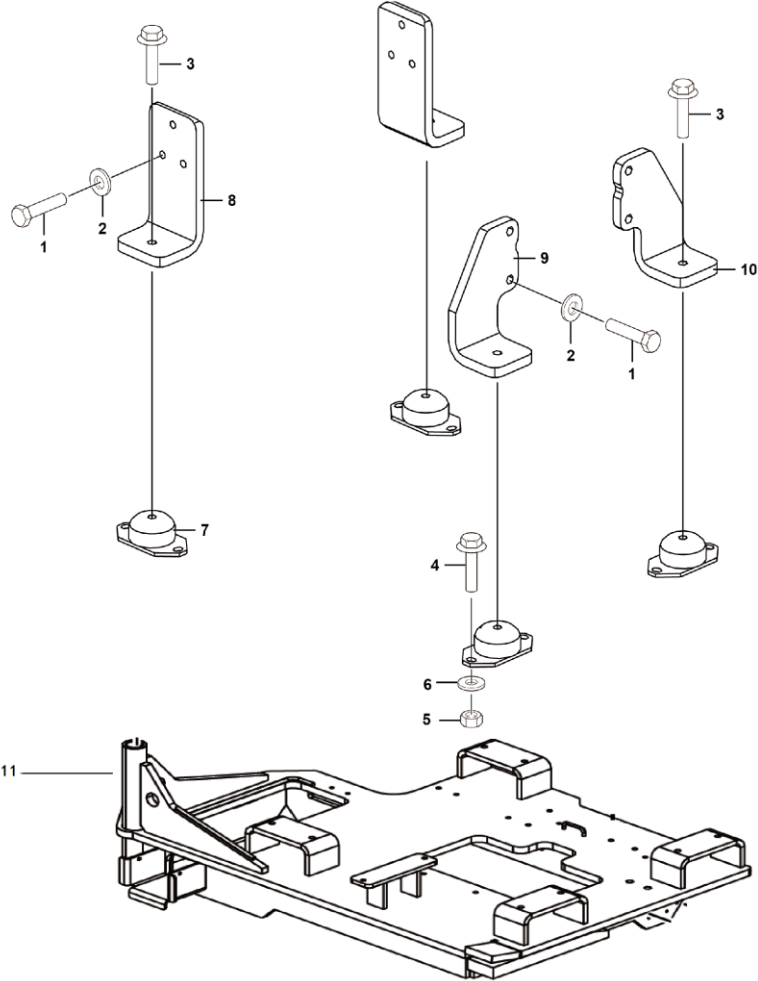
# Engine system





Key	Part No.	Description	Spare parts Y/N	Qty	Remarks
1	25230003341	Clamp rubber strip	Y	1	
2	25010019041	Engine fuel system	N	1	
3	25230005423	Welding, radiator flitch weldment	Y	1	
4	25010008831	Engine transmission system	N	1	
5	25010008471	Engine mount system	N	1	
6	25010008791	Engine intake system	N	1	
7	25010008521	Engine cooling system	N	1	
8	4011010743	Bolt gb5783-m8*25flznyc-8.8-480	Y	2	
9	4015010289	Washer gb96.1-8flznyc-480	Y	2	
10	4015010280	Washer gb97.1-8flznyc-480	Y	2	
11	4013010297	Nut gb889.1-m8flznyc-8-480	Y	2	
12	4015010286	Washer gb96.1-12flznyc-480	Y	3	
13	4011011038	Bolt gb5783-m12*25flznyc-8.8-480	Y	3	
14	4110702713	Engine assembly d2.9l4	Y	1	
15	25010008861	Engine exhaust system	N	1	
16	4190704342	Latch hc-a01, tray	Y	1	
17	4011010747	Bolt gb5783-m6*16flznyc-8.8-480	Y	2	
18	4190703890	D-pin 8*65 with 200mm chain and steel sheet	Y	1	
19	25230007353	Fastener fixing plate	Y	1	
20	4011011116	Bolt gb5783-m5*10flznyc-8.8	Y	1	

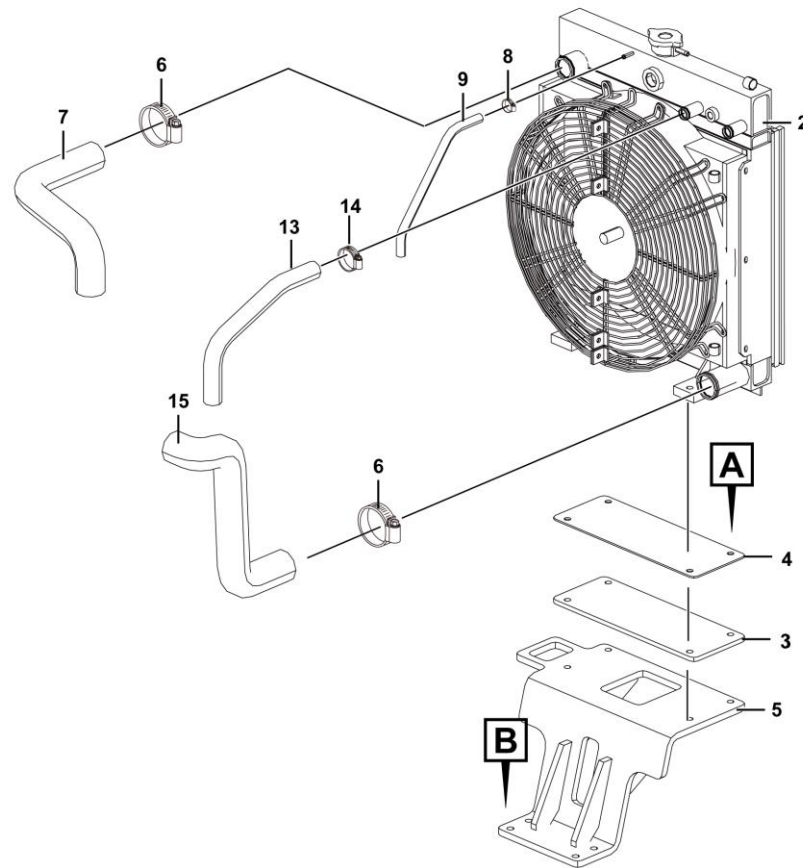
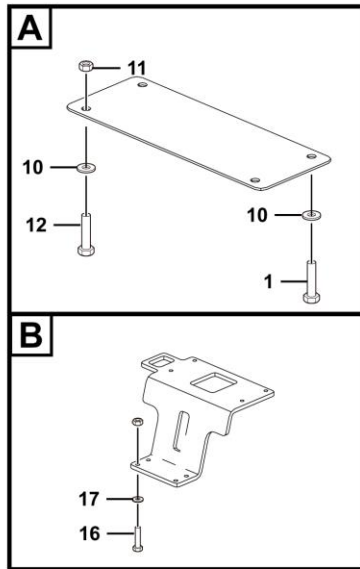
**Engine mount system**



Key	Part No.	Description	Spare parts Y/N	Qty	Remarks
1	4011010979	Bolt gb5783-m12*40flznyc-8.8-480	Y	10	
2	4015010340	Washer gb97.1-12flznyc-300hv-480	Y	10	
3	4011011424	Bolt gb16674-m12*40flznyc-8.8-480	Y	4	
4	4011011104	Bolt gb16674-m10*35flznyc-8.8-480	Y	8	
5	4013010296	Nut gb889.1-m10flznyc-8	Y	8	
6	4015010279	Washer gb97.1-10flznyc-480	Y	8	
7	4110001979	Vibration isolator 10-00184	Y	4	
8	25010008513	Forming (stamping, etc.), rear outrigger, for supporting engine	Y	2	
9	25010008492	Forming (stamping, etc.), right front outrigger, for supporting engine	Y	1	
10	25010008502	Forming (stamping, etc.), left front outrigger, for supporting engine	Y	1	
11	25230008912	Welding, engine tray assembly	Y	1	

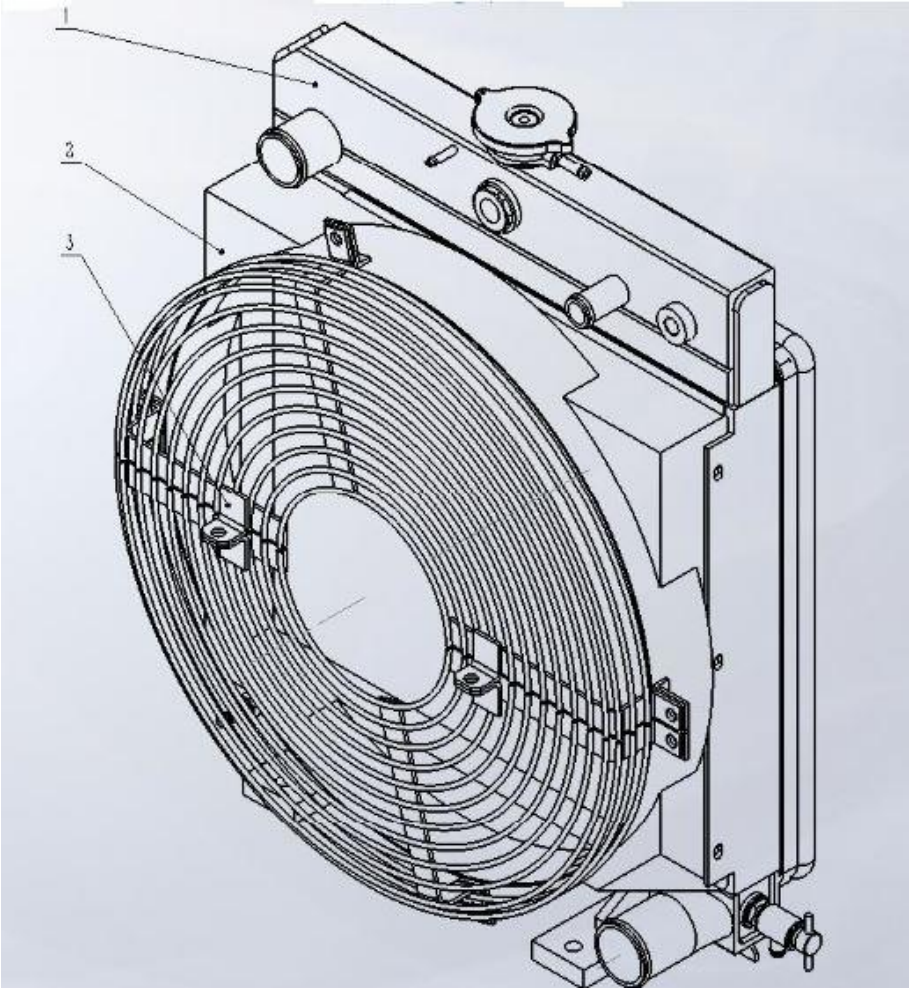


# Engine cooling system



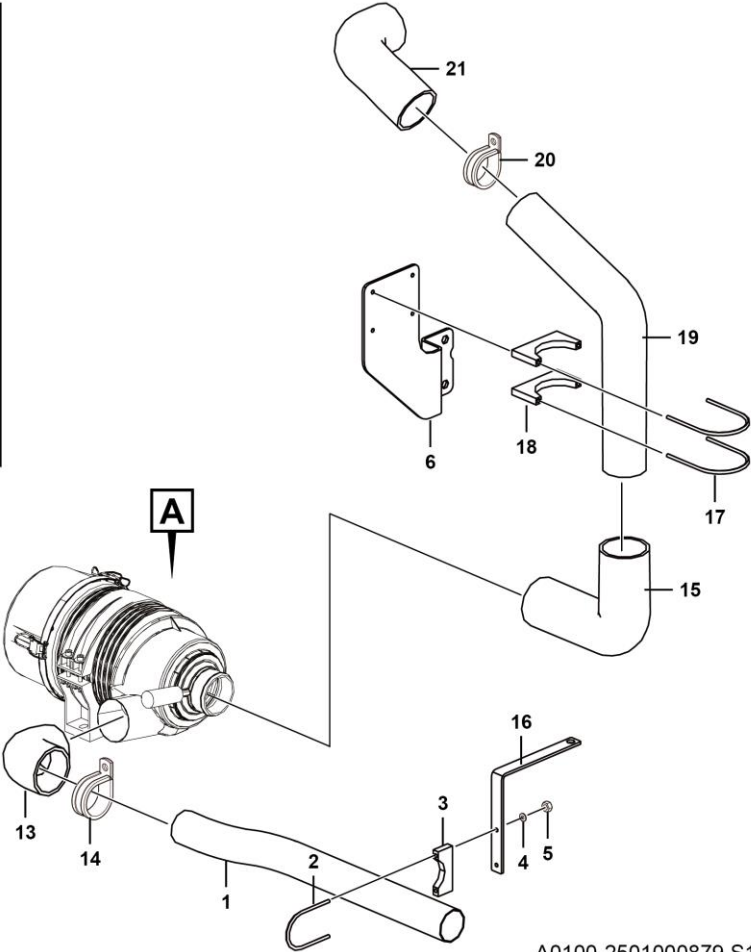
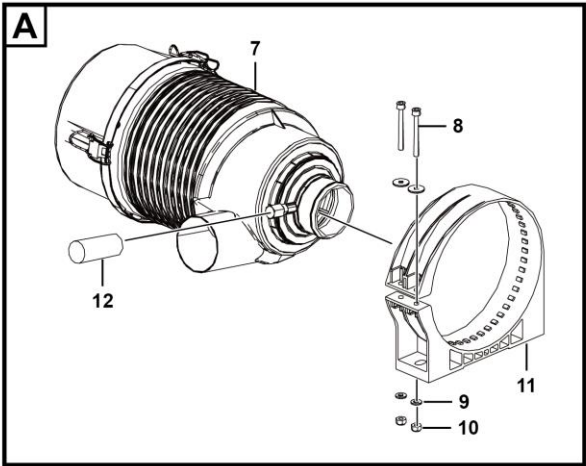
Key	Part No.	Description	Spare parts Y/N	Qty	Remarks
1	4011010706	Bolt gb5783-m10*40flznyc-8.8-480	Y	2	
2	4110702734	Radiator assembly	Y	1	
3	25010009042	Fixed plate, for fixing radiator	Y	1	
4	25010009031	Rubber sheet, support radiator	Y	1	
5	25010008533	Welding, radiator bracket weldment, radiator mounting bracket	Y	1	
6	4017000007	Hose clamp jb8870-d60	Y	4	
7	25010008581	Engine coolant outlet pipe, engine coolant outlet-radiator coolant inlet	Y	1	
8	4190000343	Hose clamp jb8870-d16	Y	2	
9	25010019391	Engine vent pipe, engine vent-radiator	Y	1	
10	4015010339	Washer gb97.1-10flznyc-300hv-480	Y	4	
11	4013010296	Nut gb889.1-m10flznyc-8	Y	2	
12	4011011342	Bolt gb5783-m10*70flznyc-8.8-480	Y	2	
13	25010008593	Engine coolant filler pipe, engine coolant filler-radiator	Y	1	
14	4017000008	Hose clamp jb8870-d40	Y	2	
15	25010008571	Engine coolant inlet pipe, engine coolant inlet-radiator coolant outlet	Y	1	
16	4011010978	Bolt gb5783-m12*30flznyc-8.8-480	Y	4	
17	4015010340	Washer gb97.1-12flznyc-300hv-480	Y	4	

**Radiator**





# Intake system

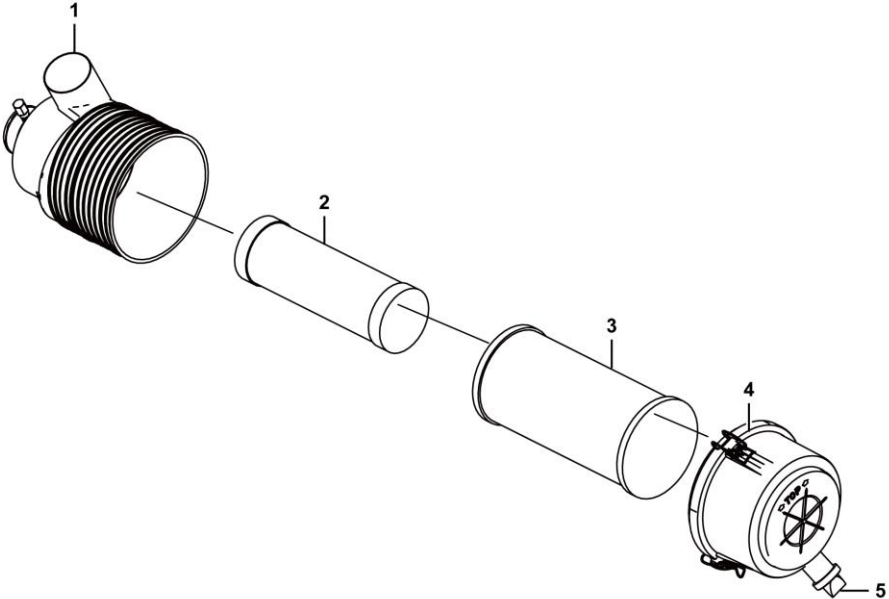


A0100-2501000879.S1a



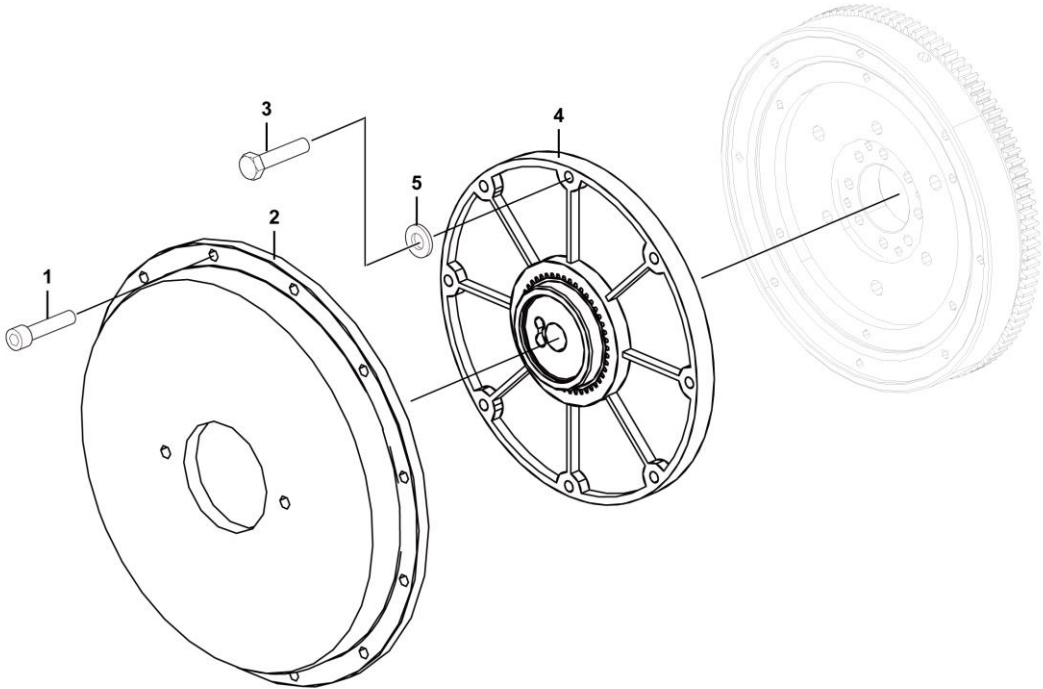
Key	Part No.	Description	Spare parts Y/N	Qty	Remarks
1	25010008752	Engine intake tube, located at the front end of the air cleaner for engine intake	Y	1	
2	25010008632	U-bolt	Y	1	
3	25010008661	Stainless steel mount, u-bolt mount	Y	1	
4	4015010283	Washer gb97.1-5flznyc-480	Y	6	
5	4013010305	Nut gb889.1-m5flznyc-8-480	Y	6	
6	25010008773	Forming (stamping, etc.), intake tube fixing bracket	Y	1	
7	4110001498	Air cleaner g068663	Y	1	
8	4011010972	Bolt gb5783-m8*35flznyc-8.8-480	Y	2	
9	4015010289	Washer gb96.1-8flznyc-480	Y	4	
10	4013010297	Nut gb889.1-m8flznyc-8-480	Y	2	
11	4110001499	Ferrule p778810	Y	1	
12	4110001403	Mechanical differential pressure alarm raxoo-2102	Y	1	
13	25010008761	Engine intake connecting pipe, air cleaner inlet-intake tube	Y	1	
14	4017000017	Hose clamp jb8870-d70	Y	1	
15	25010008692	Engine intake hose, air cleaner-intake tube	Y	1	
16	25010021131	Forming (stamping, etc.), intake tube fixing bracket	Y	1	
17	25010008642	U-bolt	Y	2	
18	25010008651	Stainless steel mount, u-bolt mount	Y	2	
19	25010008672	Engine intake tube	Y	1	
20	4017000013	Hoop jb8870-d90	Y	5	
21	25010008681	Engine intake hose, engine intake-intake tube	Y	1	

**Filter**



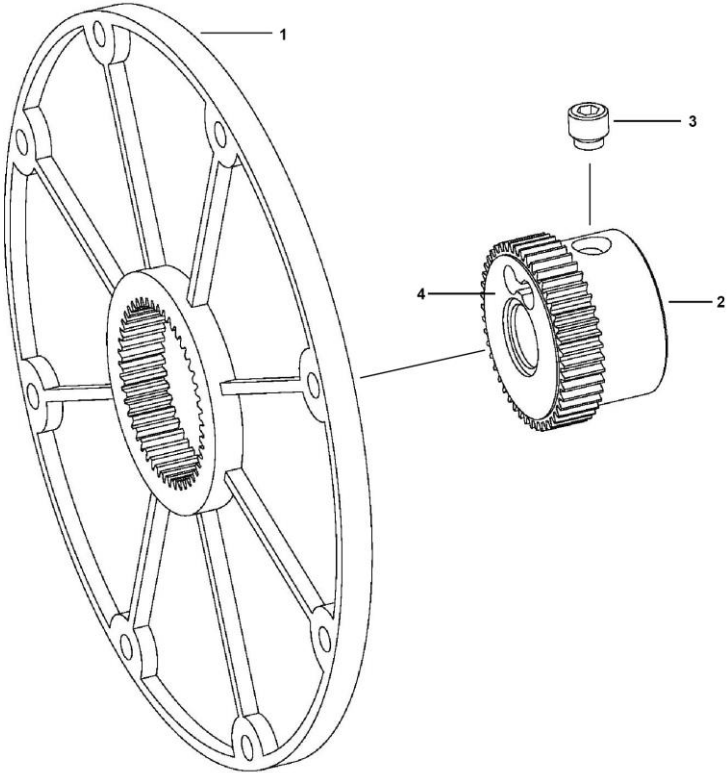


**Transmission system**





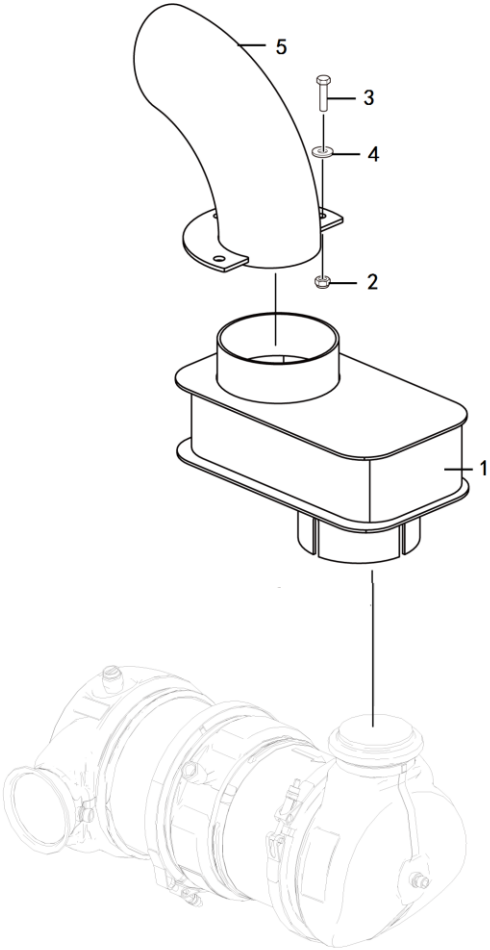
**Flywheel coupling fl110 t48 l=42 sae16/32 z=15**



A0100-4110001408



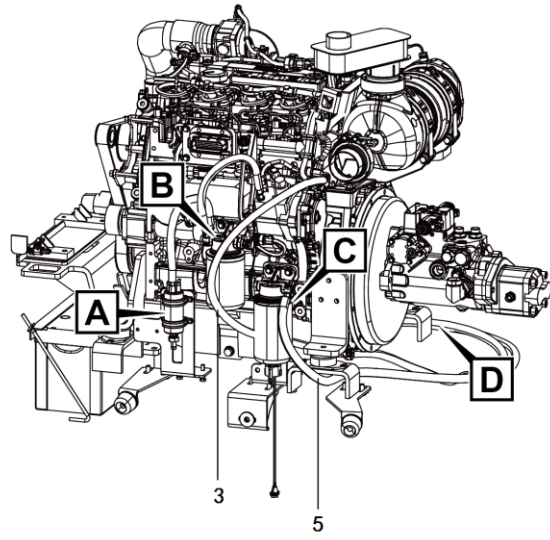
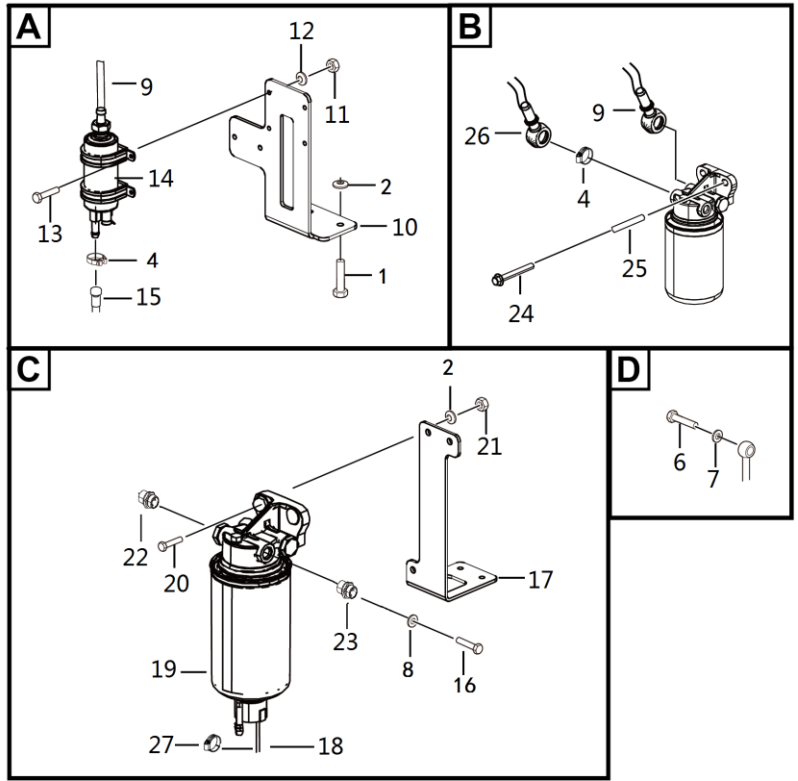
**Exhaust system**





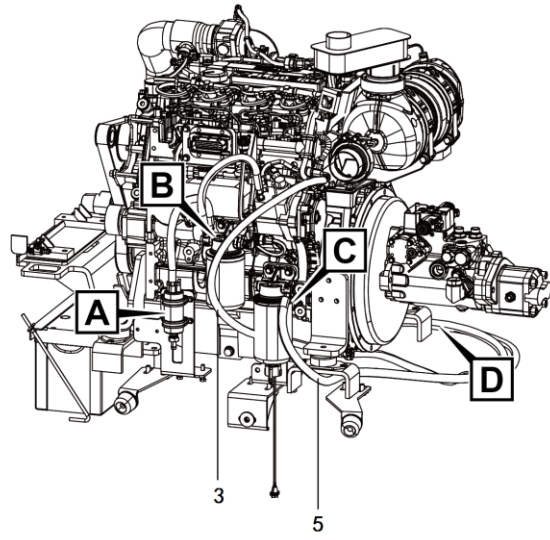
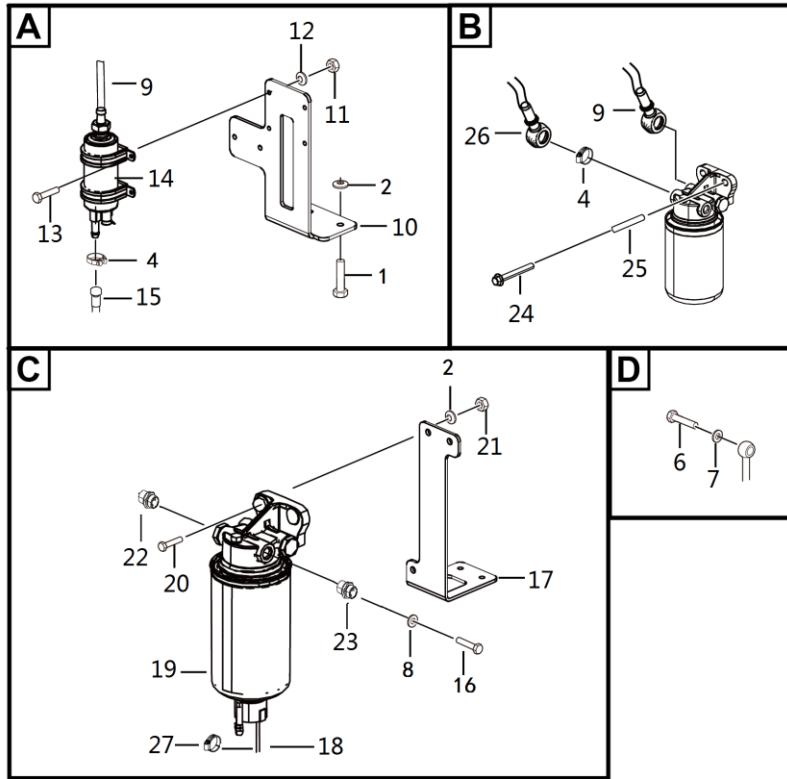


# Oil system



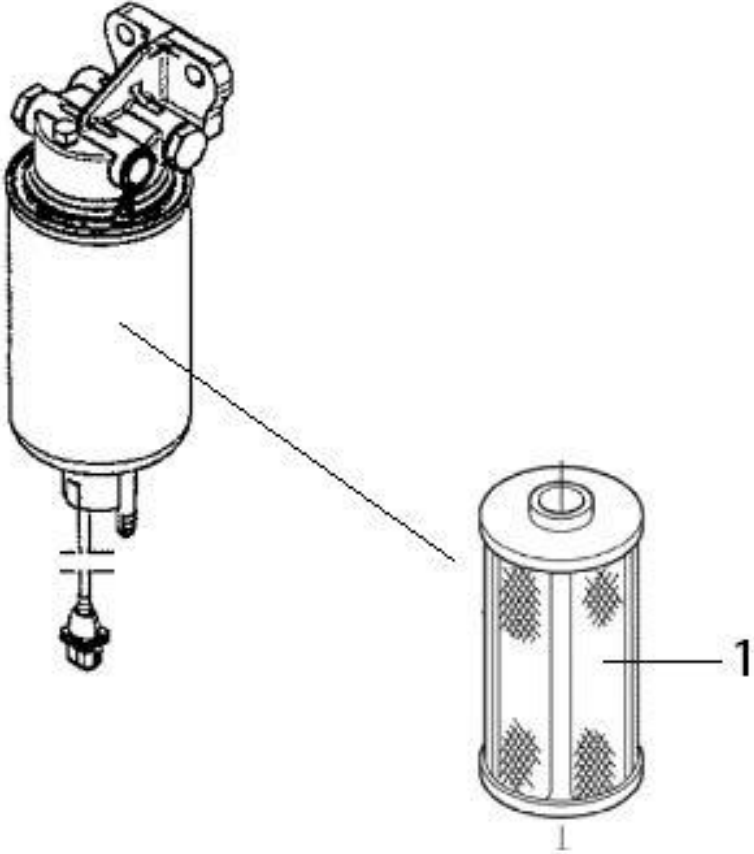
Key	Part No.	Description	Spare parts Y/N	Qty	Remarks
1	4011010722	Bolt gb5783-m10*25flznyc-8.8-480	Y	4	
2	4015010339	Washer gb97.1-10flznyc-300hv-480	Y	6	
3	4049010177	Tube lzb103-d10*2400-p	Y	1	
4	4017000010	Hose clamp jb8870-d20	Y	7	
5	4049010176	Tube lzb103-d10*2100-p	Y	1	
6	4011011113	Bolt jb999-m14*1.5*32flznyc-8.8-480	Y	2	
7	4015000121	Washer jb982-14	Y	4	
8	4015000141	Washer jb982-16	N	5	
9	4049010139	Tube lzb103-10*250-p	Y	1	
10	25010014132	Forming (stamping, etc.), efp mounting plate, efp mounting bracket	Y	1	
11	4013010305	Nut gb889.1-m5flznyc-8-480	Y	4	
12	4015010283	Washer gb97.1-5flznyc-480	Y	4	
13	4011011066	Bolt gb5783-m5*20flznyc-8.8	Y	4	
14	4110702735	Fuel pump	Y	1	
15	4049010144	Tube lzb103-12*450-p	Y	1	
16	4011010322	Bolt jb999-m16*1.5*30epzn-35	Y	1	
17	25010014123	Forming (stamping, etc.), coolant separator mounting plate	Y	1	
18	25010019031	Coolant separator drain pipe, coolant separator drain connecting hose	Y	1	
19	4110702736	Coolant separator	Y	1	
20	4011011086	Bolt gb16674-m10*40flzny-8.8-480	Y	2	
21	4013010296	Nut gb889.1-m10flznyc-8	Y	2	
22	4110703232	Quick connector j2044-11.8*10*12*90° 12sae	Y	4	

# Oil system



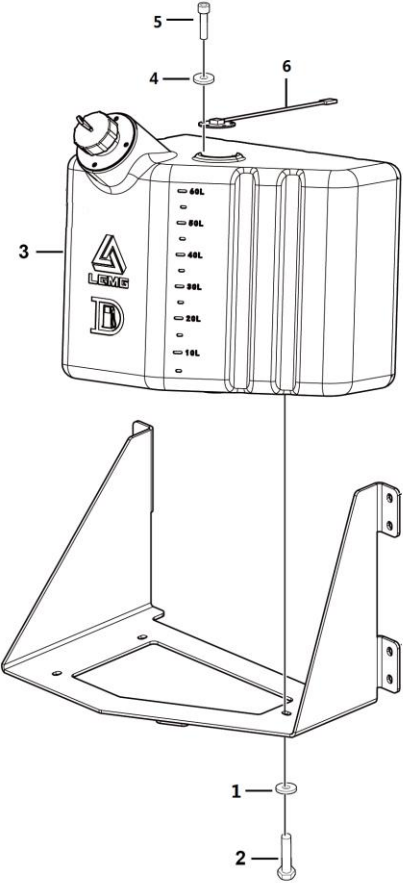


**Fuel water separator assembly**





**Assembly**

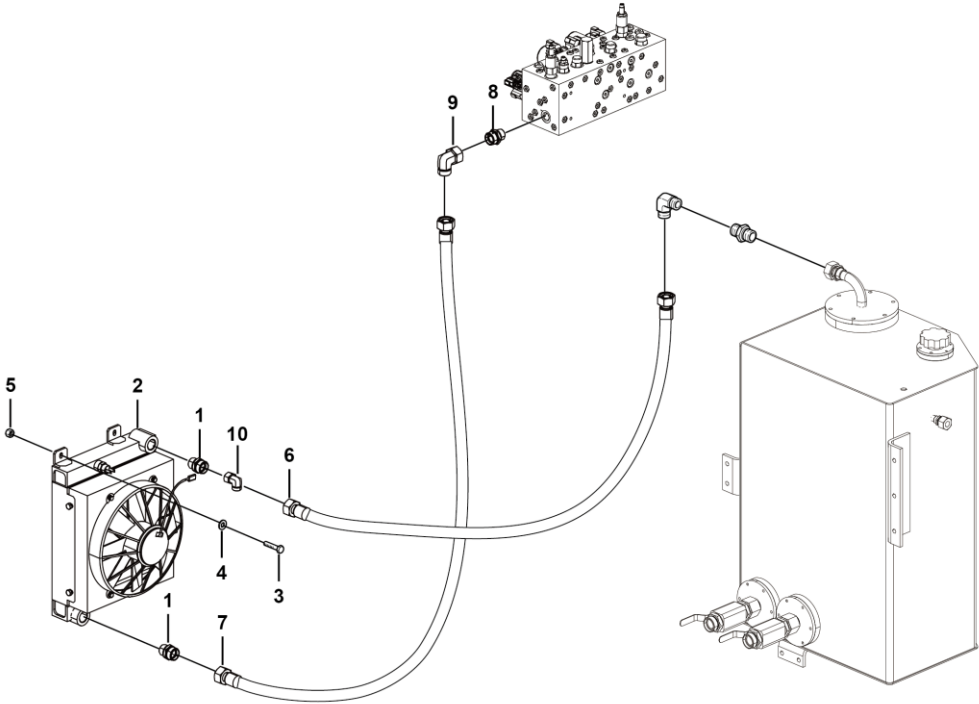


A0200-2502000181.S1A





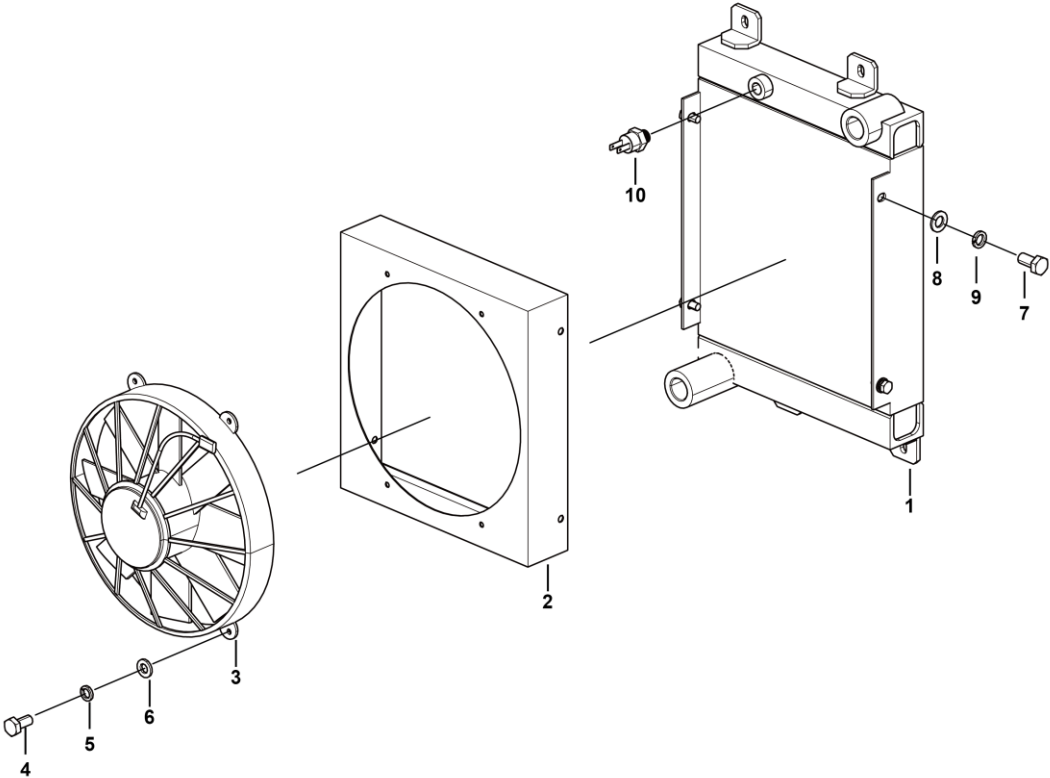
# Cooler assembly



A0300-2503000016.S1b



# Hydraulic oil cooler



A0100-4130703394

Key	Part No.	Description	Spare parts Y/N	Qty	Remarks
1	4120703394003	Oil radiator s9114544	Y	1	
2	4120703394002	Shroud db0770	Y	1	
3	4120703394001	Electronic fan 530094	Y	1	
4	4120002528003	Bolt	Y	4	
5	4120002528002	Washer	Y	4	
6	4120002528001	Washer	Y	4	
7	4129900266003	Bolt	Y	4	
8	4129900266005	Washer	Y	4	
9	4129900266004	Washer	Y	4	
10	4120002528004	790003 temperature control switch	Y	1	

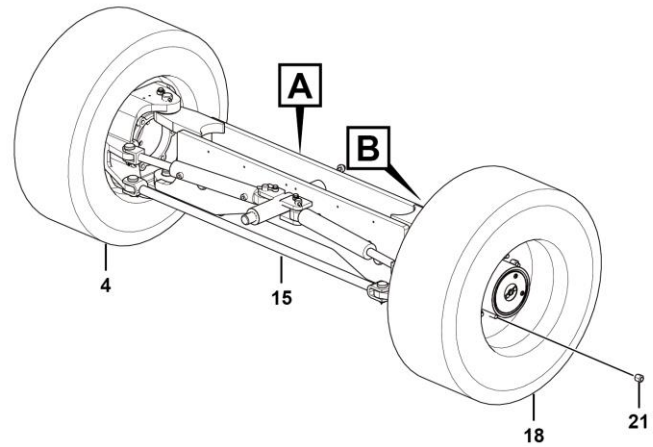
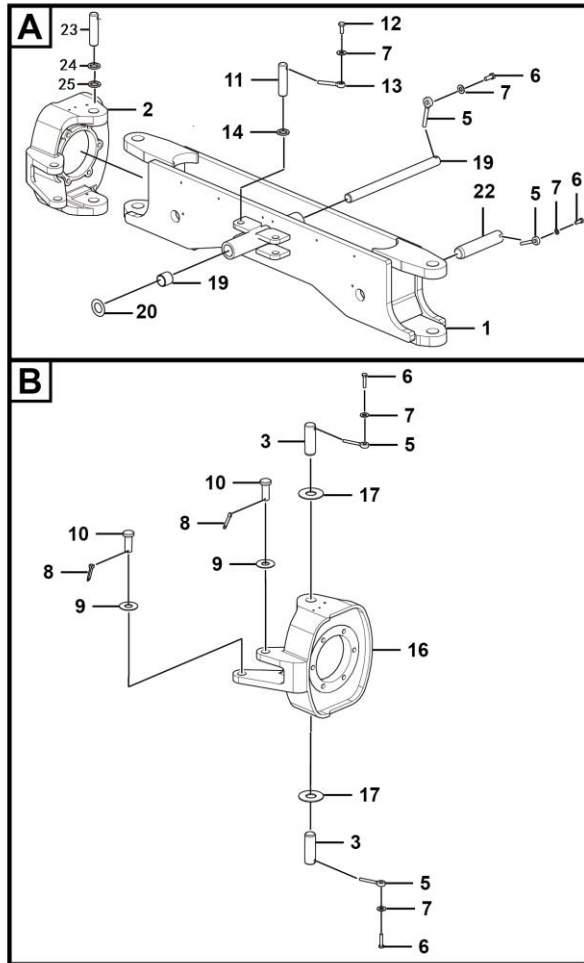


**B**  
**AXLE SYSTEM**



**LINGONG GROUP JINAN HEAVY MACHINERY CO., LTD.**

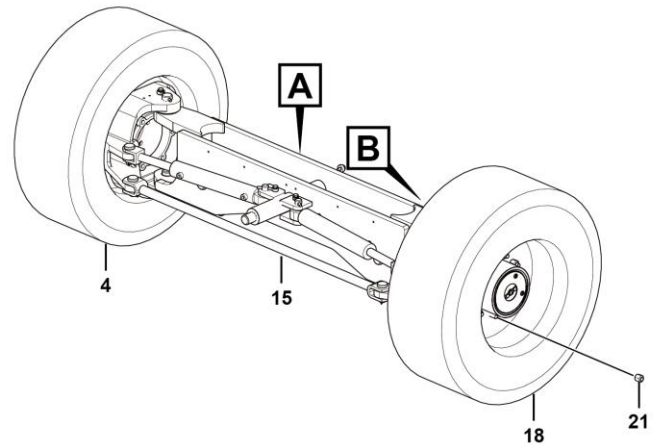
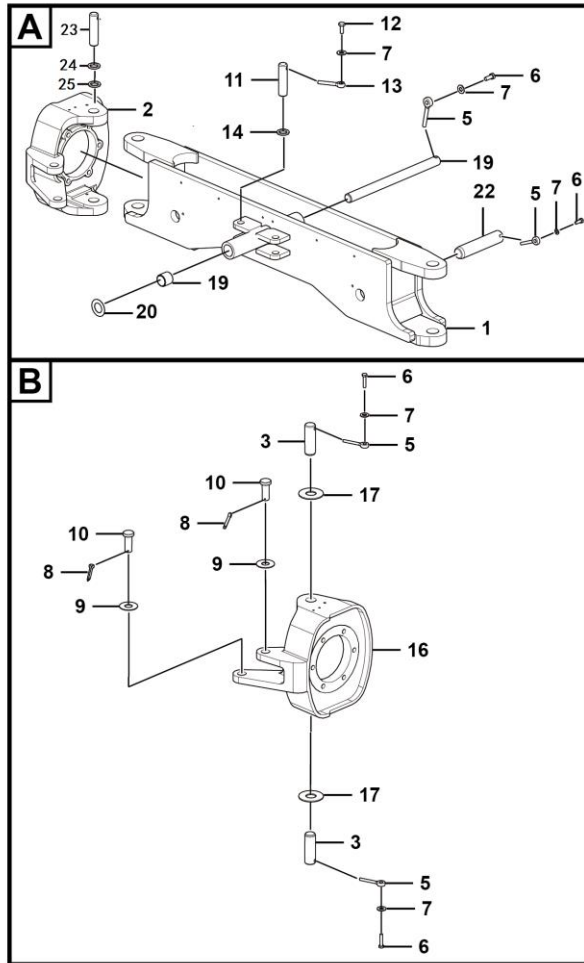
# Front axle assembly





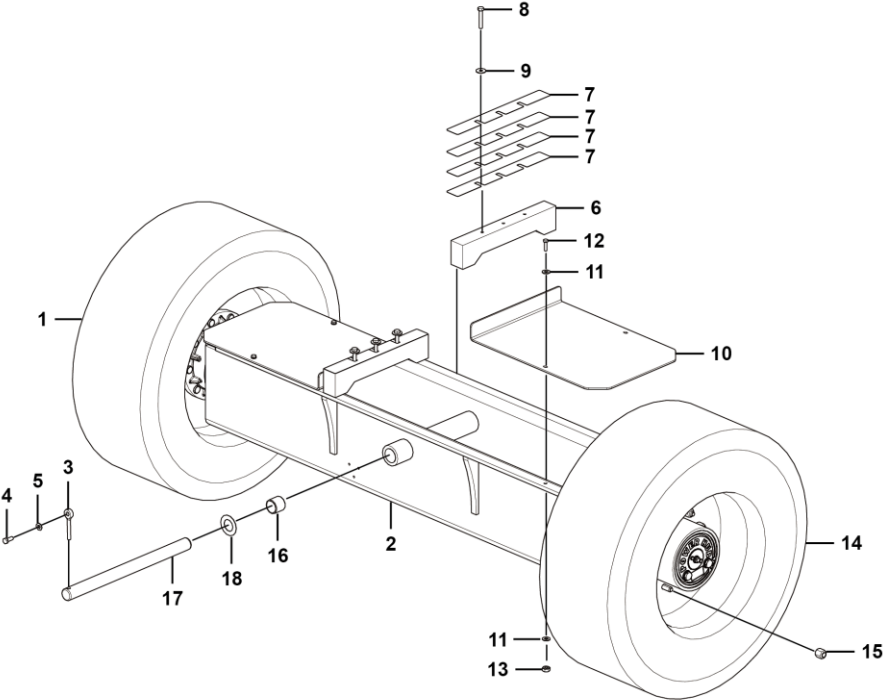
Key	Part No.	Description	Spare parts Y/N	Qty	Remarks
1	25040004982	Front axle distribution assembly	Y	1	
2	25040004931	Left steering connecting plate assembly	N	1	
3	25040001401	Front hub connecting pin, $\phi 38.1 \times 115 \times 15$	Y	2	
4	4110702904	Tyre 315/55d20 right	Y	1	
5	25200000641	Pin, 10*70	Y	7	
6	4011011046	Bolt gb5783-m10*45flznyc-8.8-480	Y	4	
7	4015010279	Washer gb97.1-10flznyc-480	Y	9	
8	4016010133	Cotter pin gb91-5*40flznyc--480-q235a	Y	4	
9	25040000291	Washer, 36*25.4*3	Y	4	
10	25040000311	Tie rod pin, $\phi 25.4 \times 70$	Y	4	
11	25040001371	Steer cylinder pin, $\phi 25 \times 100 \times 12$	Y	2	
12	4011010722	Bolt gb5783-m10*25flznyc-8.8-480	Y	5	
13	25200006221	Pin, 10*58.5	Y	2	
14	25040002771	Washer, $\phi 50 \times 4$	Y	4	
15	25040001271	Steering lever	Y	1	
16	25040004941	Right steering connecting plate assembly	N	1	
17	25040002801	Wear washer, $\phi 89 \times 4$	Y	4	
18	4110702903	Tyre 315/55d20 left	N	1	
19	25040001411	Axle connecting pin, $\phi 38.1 \times 515 \times 12$	Y	1	
20	25040001421	Adjusting washer, $\phi 65 \times 1.5$	Y	1	
21	25070004001	Ansi hexagon cone nut 5/8-18unf	Y	18	
22	25040001281	Floating cylinder lower pin, $\phi 44.45 \times 209 \times 12$	Y	2	

# Front axle assembly





Rear axle assembly



B0500-2505000221.S1C

Key	Part No.	Description	Spare parts Y/N	Qty	Remarks
1	4110702903	Tyre 315/55d20 left	N	1	
2	25050002792	Rear axle distribution assembly	Y	1	
3	25200000641	Pin, 10*70	Y	1	
4	4011010722	Bolt gb5783-m10*25flznyc-8.8-480	Y	1	
5	4015010279	Washer gb97.1-10flznyc-480	Y	1	
6	25050002222	Limit plate, rear axle floating	Y	2	
7	25050000141	Adjusting shim, 395*50*1	Y	8	
8	4011010734	Bolt gb5782-m10*60flznyc-8.8-480	Y	6	
9	4015010278	Washer gb96.1-10flznyc-480	Y	6	
10	25050000501	Cover plate, rear axle	Y	2	
11	4015010289	Washer gb96.1-8flznyc-480	Y	4	
12	4011010708	Bolt gb5783-m8*30flznyc-8.8-480	Y	4	
13	4013010291	Nut gb6170-m8flznyc-8-480	Y	4	
14	4110702904	Tyre 315/55d20 right	Y	1	
15	25050000401	Tapered hexagon nut m16x1.5	Y	18	
16	25050001391	Adjusting shim, 395*50*1	N	2	
17	25040001411	Axle connecting pin, $\phi$ 38.1*515*12	Y	1	
18	25040001421	Adjusting washer, $\phi$ 65*1.5	Y	1	

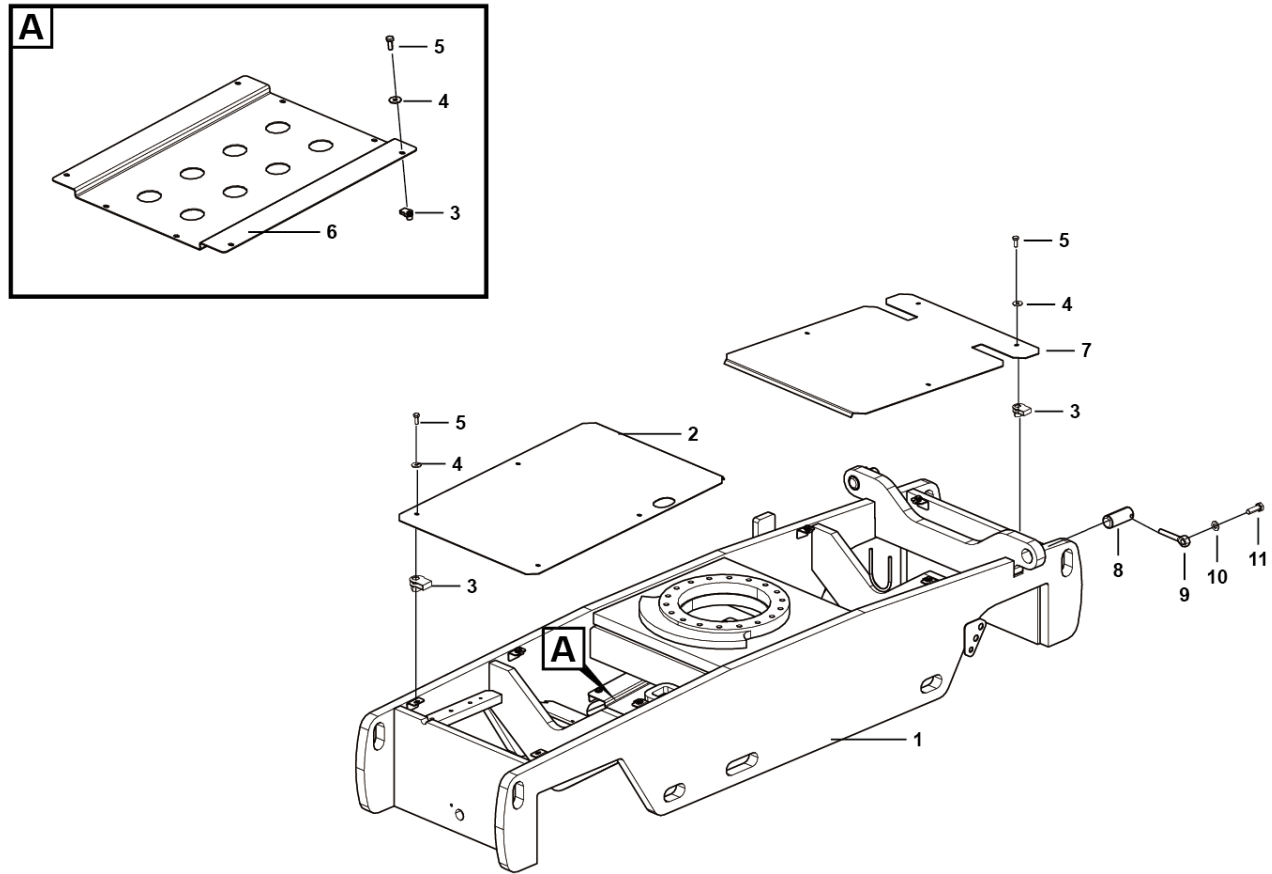


**D**  
**CHASSIS SYSTEM**



**LINGONG GROUP JINAN HEAVY MACHINERY CO., LTD.**

# Chassis



D0700-2516001471.S1a



Key	Part No.	Description	Spare parts Y/N	Qty	Remarks
1	25160023662	Chassis distribution assembly	Y	1	
2	25160014732	Forming (stamping, etc.), chassis rear cover plate	Y	1	
3	4013010383	Reed nut qc339-m8flznyc-8-480	Y	12	
4	4015010289	Washer gb96.1-8flznyc-480	Y	12	
5	4011010711	Bolt gb5783-m8*20flznyc-8.8-480	Y	12	
6	25160001301	Support plate, pipeline	N	1	
7	25160014741	Forming (stamping, etc.), chassis cover plate	Y	1	
8	25160002151	Shaft, $\phi 44.45 \times 108$	Y	2	
9	25200006221	Pin, 10*58.5	Y	2	
10	4015010279	Washer gb97.1-10flznyc-480	Y	2	
11	4011010707	Bolt gb5783-m10*30flznyc-8.8-480	Y	2	



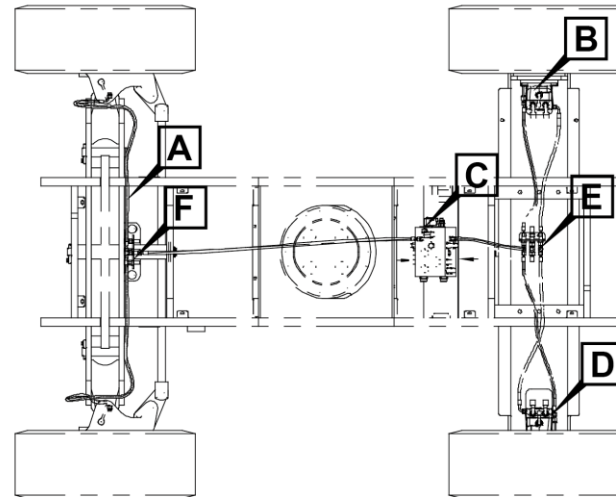
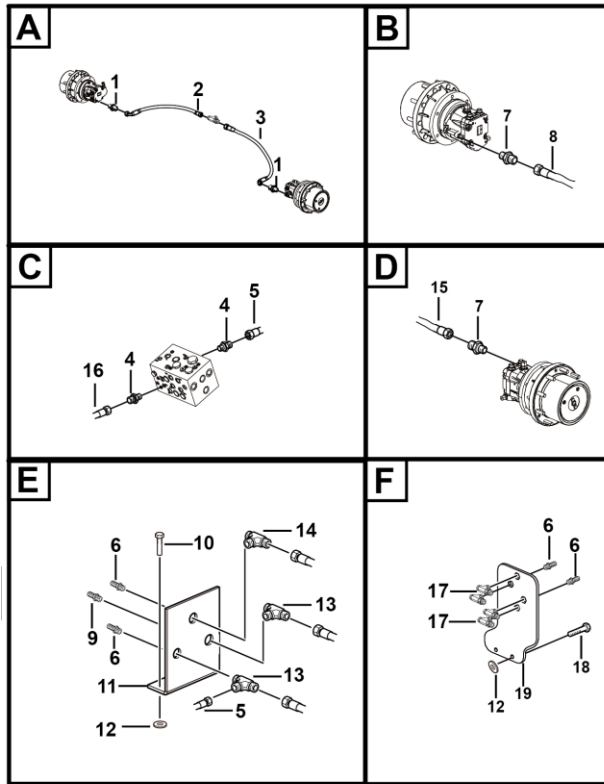


**E**  
**BRAKE SYSTEM**



**LINGONG GROUP JINAN HEAVY MACHINERY CO., LTD.**

**Service brake assembly**



E1100-2506000132.S

Key	Part No.	Description	Spare parts Y/N	Qty	Remarks
1	4120001340	Fitting 1co-14-04	Y	2	
2	4120704143	Hose 20411-14-04*20491-14-04*scp3-04*1560, right front motor to tee fitting	Y	1	
3	4120703275	Hose 20411-14-04*20491-14-04*scp3-04*1500, left front motor to tee fitting	Y	1	
4	4120001368	Fitting, hydraulic 1cb-14-04wd	Y	2	
5	4120705553	Hose fc402caca080804-580, walking control valve to tee fitting	Y	1	
6	4120001813	Bulkhead fitting 6c-14ln	Y	6	
7	4120704551	Straight fitting 1co-14-04-h70	Y	2	
8	4120705550	Hose fc402caca080804-605, right rear motor to tee fitting	Y	1	
9	4120002009	Bulkhead fitting 6c-18ln	Y	1	
10	4011010711	Bolt gb5783-m8*20flznyc-8.8-480	Y	2	
11	25070005821	Bracket plate, joint mounting plate	Y	1	
12	4015010280	Washer gb97.1-8flznyc-480	Y	4	
13	4190001020	Tee fitting cc-14	Y	2	
14	4190000997	Tee fitting ac-18	Y	1	
15	4120706862	Hose fc402caca080804-765, left rear motor to tee fitting	Y	1	
16	4120002718	Hose 20411-14-04*scp3-04*1450, gear pump-lifting control valve connection	Y	1	
17	4190001003	Tee fitting bc-14	Y	4	
18	4011000106	Bolt gb5783-m8*25epzn-8.8	Y	2	
19	25060000621	Forming (stamping, etc.), joint mounting plate	Y	1	

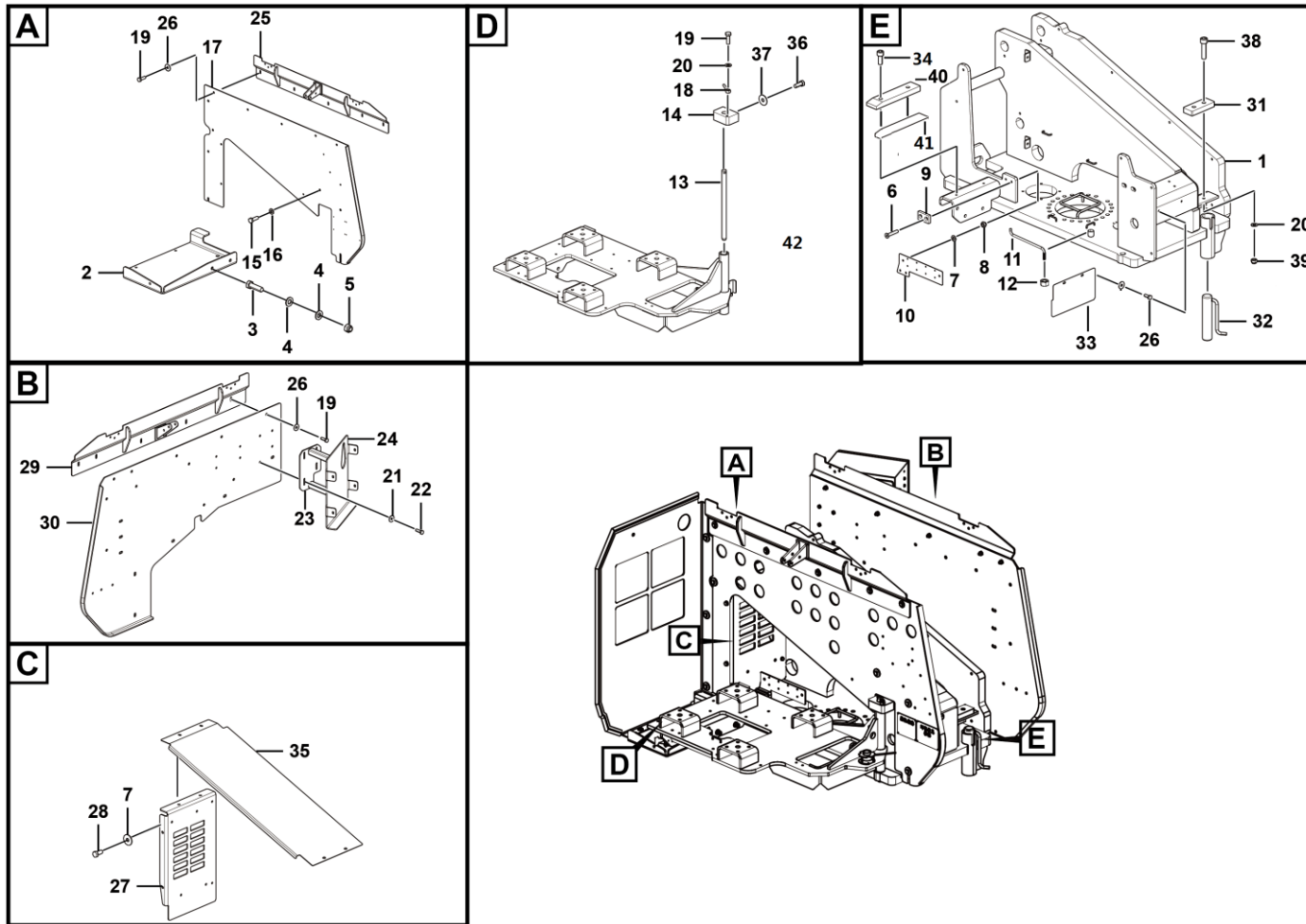


# **H SWING SYSTEM**



**LINGONG GROUP JINAN HEAVY MACHINERY CO., LTD.**

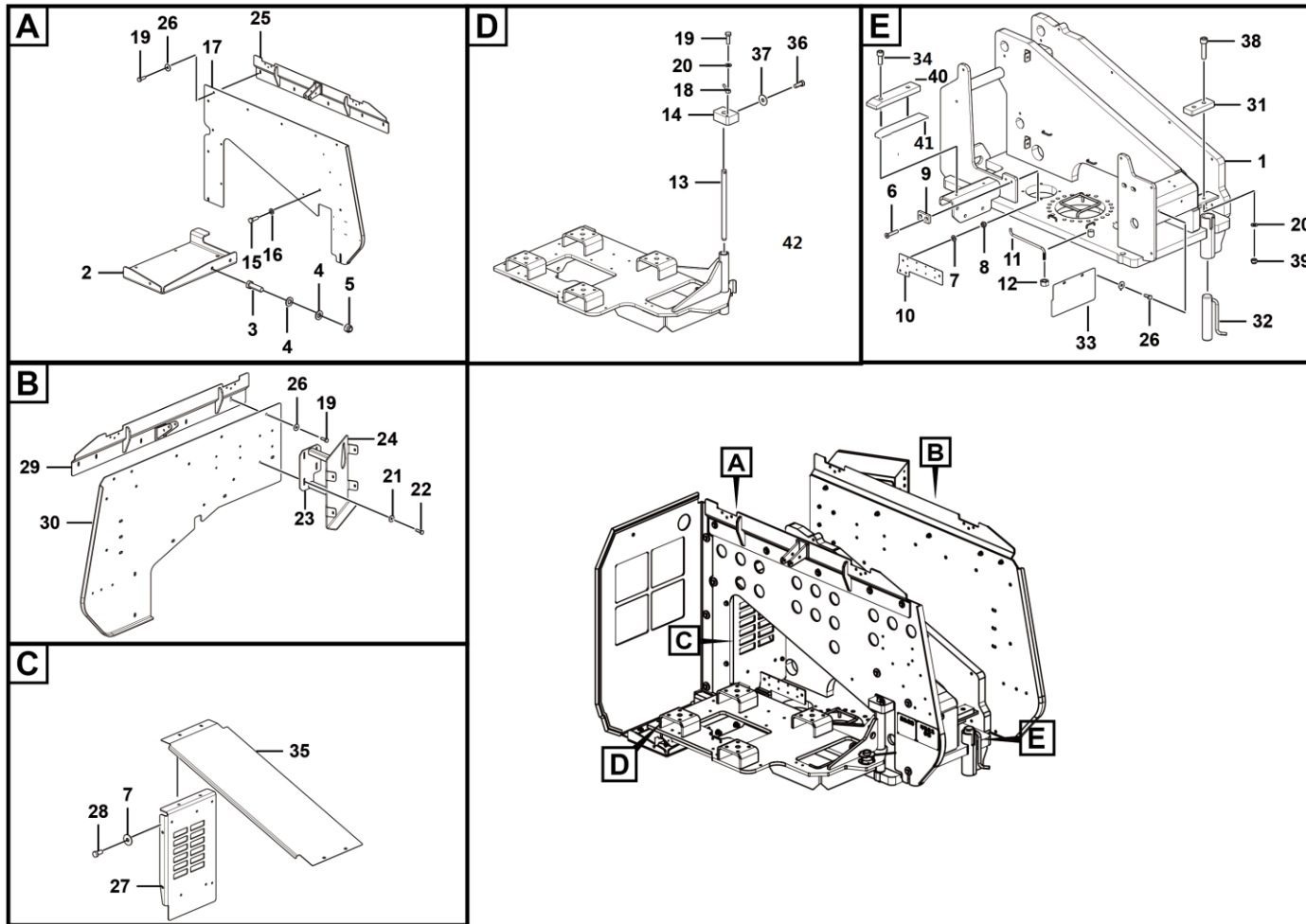
# Turntable assembly





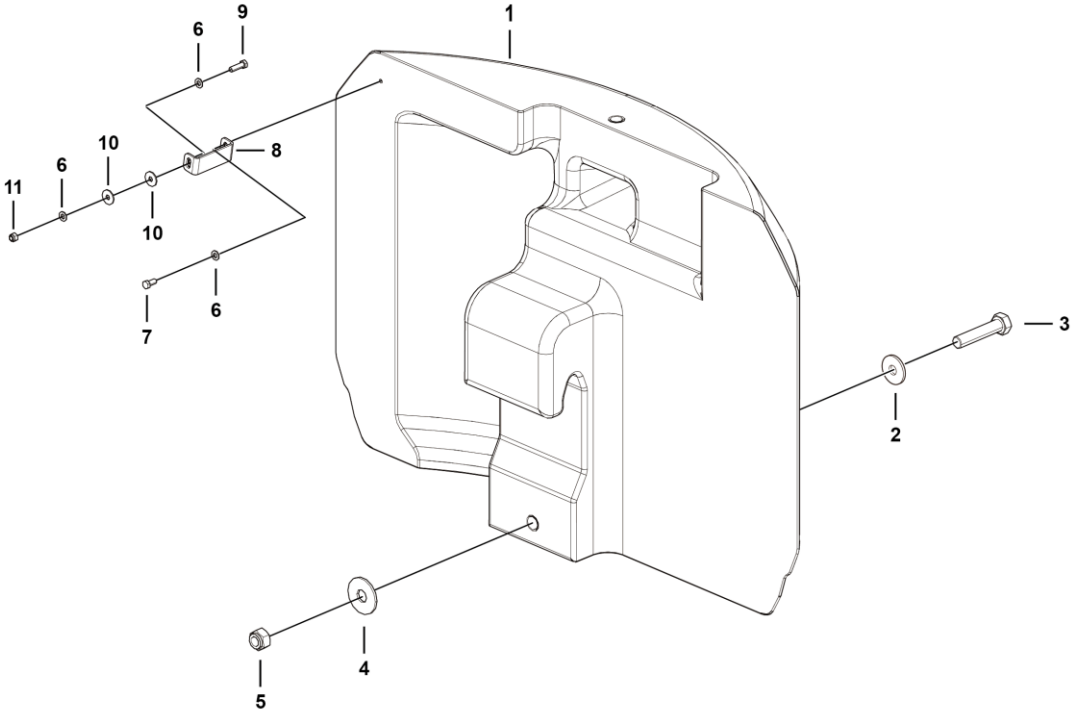
Key	Part No.	Description	Spare parts Y/N	Qty	Remarks
1	25230005256	Welding, rotary table weldment	Y	1	
2	25230011731	Forming (stamping, etc.), battery support plate	Y	1	
3	4011010979	Bolt gb5783-m12*40flznyc-8.8-480	Y	2	
4	4015010340	Washer gb97.1-12flznyc-300hv-480	Y	4	
5	4013010301	Nut gb889.1-m12flznyc-8-480	Y	2	
6	4014010454	Gb70.3-m8*45flznyc-8.8	Y	2	
7	4015010280	Washer gb97.1-8flznyc-480	Y	2	
8	4013010297	Nut gb889.1-m8flznyc-8-480	Y	2	
9	25230003501	Cushion block	Y	1	
10	25230001622	Wiring plate	Y	1	
11	25230005522	Threaded support rod	Y	1	
12	4013010295	Nut gb6170-m12flznyc-8-480	Y	1	
13	25230001871	Pin, 25*420*11*407	Y	1	
14	25230003251	Shaft mount	Y	1	
15	4011011038	Bolt gb5783-m12*25flznyc-8.8-480	Y	9	
16	4015010286	Washer gb96.1-12flznyc-480	Y	9	
17	25230003086	Welding, left riser weldment	Y	1	
18	25200006221	Pin, 10*58.5	Y	1	
19	4011010707	Bolt gb5783-m10*30flznyc-8.8-480	Y	11	
20	4015010339	Washer gb97.1-10flznyc-300hv-480	Y	3	
21	4015010289	Washer gb96.1-8flznyc-480	Y	16	
22	4011010743	Bolt gb5783-m8*25flznyc-8.8-480	Y	14	

**Turntable assembly**



Key	Part No.	Description	Spare parts Y/N	Qty	Remarks
23	25230003871	Welding, electric control box bracket weldment i	Y	1	
24	25230003882	Welding, electric control box bracket weldment ii	Y	1	
25	25230011861	Left frame	Y	1	
26	4015010278	Washer gb96.1-10flznyc-480	Y	10	
27	25230008903	Welding, radiator mounting plate weldment	Y	1	
28	4011010970	Bolt gb5783-m8*16flznyc-8.8-480	Y	2	
29	25230011871	Right frame	Y	1	
30	25230005485	Welding, right riser weldment	Y	1	
31	25230000232	Cushion block	Y	1	
32	25230001632	Welding, limit pin weldment	Y	1	
33	25230005453	Forming (stamping, etc.), front cover plate, rotary table	Y	1	
34	4014010453	Gb70.1-m10*25flznyc-8.8-480	Y	2	
35	25230005272	Forming (stamping, etc.), cover plate, rotary table	Y	1	
36	4011011117	Bolt gb5783-m16*40flznyc-8.8	Y	2	
37	4015010334	Washer gb96.1-16flznyc-300hv-480	Y	2	
38	4014010455	Gb70.1-m10*40flznyc-8.8	Y	2	
39	4013010296	Nut gb889.1-m10flznyc-8	Y	2	
40	25230003512	Subplate	Y	1	
41	25230010641	Adjusting plate	Y	5	

# Counterweight assembly



H1600-2528000088.S

Key	Part No.	Description	Spare parts Y/N	Qty	Remarks
1	25280000894	Counterweight, 2192.27	Y	1	
2	4015000119	Washer gb97.1-30epzn-300hv	Y	1	
3	4011010686	Bolt gb5782-m30*150epzn-10.9	Y	1	
4	4015000280	Washer gb96.1-30epzn-300hv	Y	1	
5	4013010247	Nut gb889.1-m30epzn-10.0	Y	1	
6	4015000168	Washer gb97.1-12epzn-300hv	Y	3	
7	4011000197	Bolt gb5783-m12*25epzn-8.8	Y	1	
8	25280000901	Forming (stamping, etc.), connecting plate of rotary table	Y	1	
9	4011000091	Bolt gb5783-m12*40epzn-8.8	Y	1	
10	4015000186	Washer gb96.1-12epzn-300hv	Y	2	
11	4013000158	Nut gb889-m12epzn-8	Y	1	



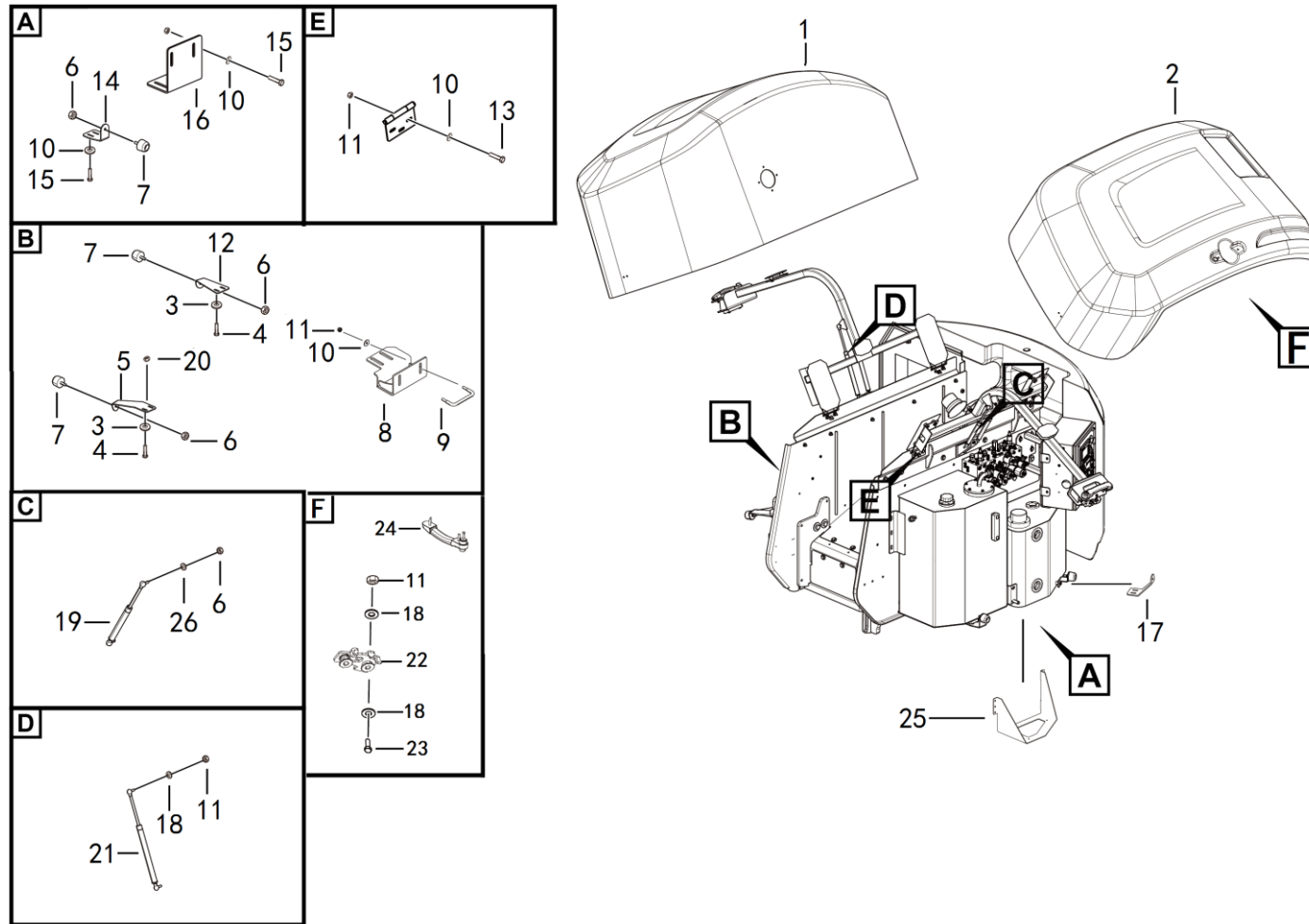


I  
**COVER ACCESSORY**



**LINGONG GROUP JINAN HEAVY MACHINERY CO., LTD.**

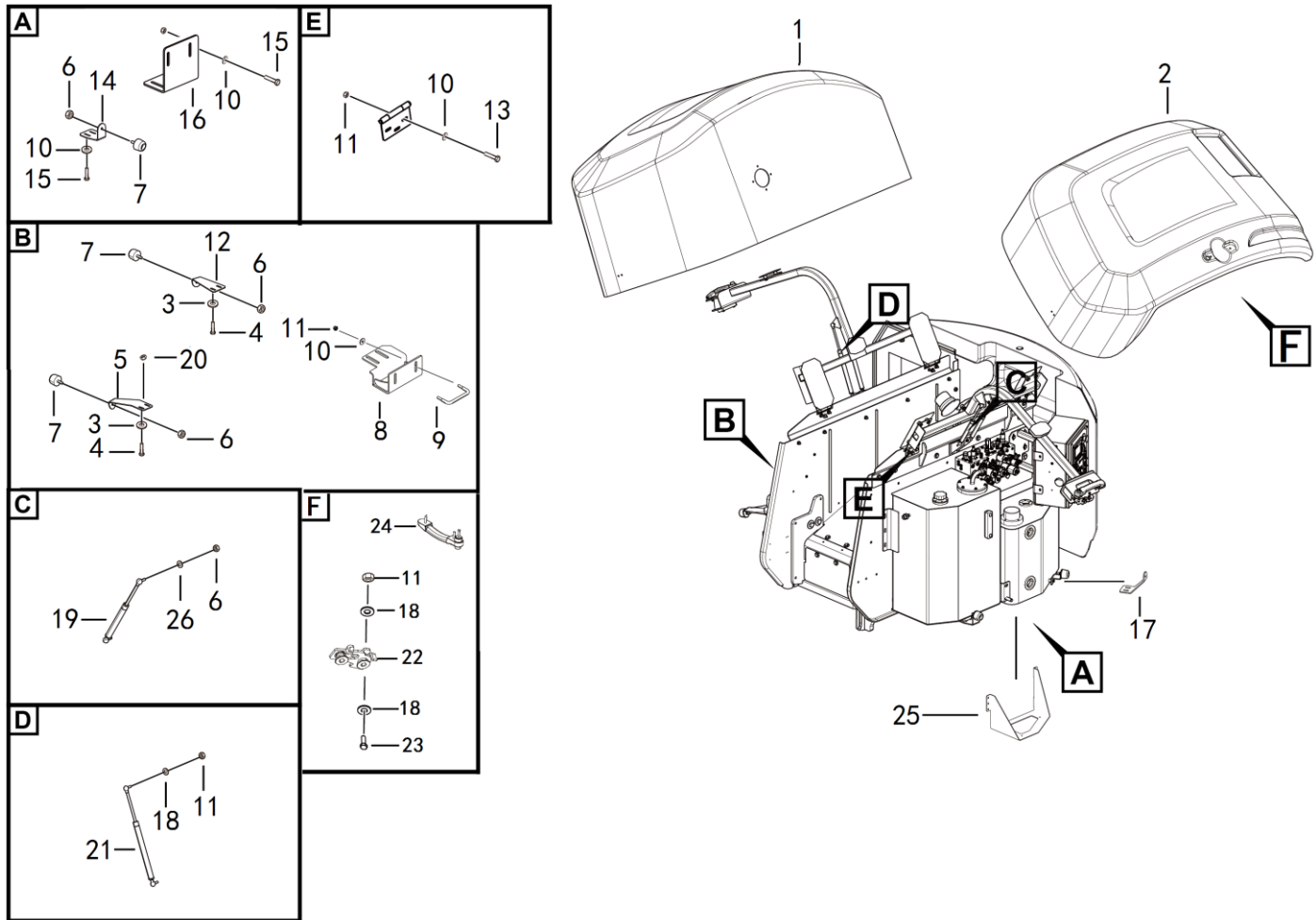
# Assembly





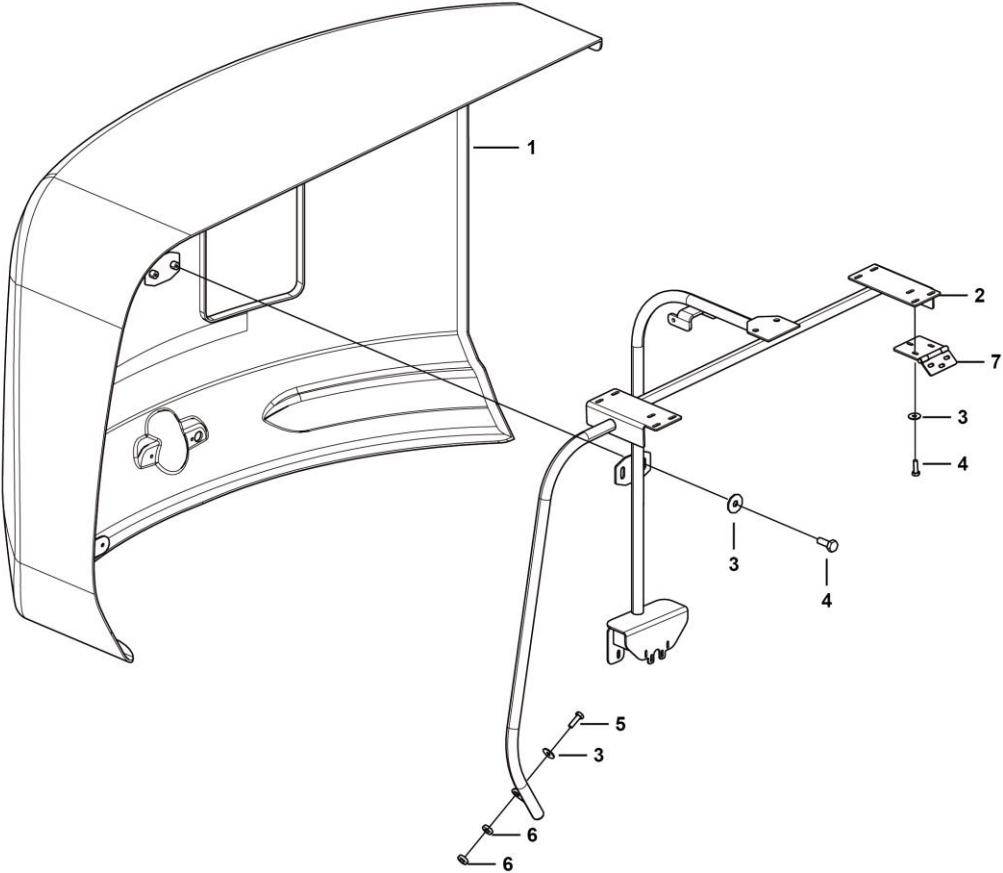
Key	Part No.	Description	Spare parts Y/N	Qty	Remarks
1	25290014387	Left hood distribution assembly	Y	1	
2	25290014393	Assembly	Y	1	
3	4015010278	Washer gb96.1-10flznyc-480	Y	13	
4	4011010748	Bolt gb5783-m10*20flznyc-8.8-480	Y	13	
5	25290003551	Forming (stamping, etc.), support plate of damping pad	Y	1	
6	4013010296	Nut gb889.1-m10flznyc-8	Y	10	
7	25290005903	Forming (stamping, etc.), damping pad	Y	6	
8	25290011192	Assembly	Y	1	
9	25290011172	Lock column	Y	2	
10	4015010289	Washer gb96.1-8flznyc-480	Y	38	
11	4013010297	Nut gb889.1-m8flznyc-8-480	Y	28	
12	25290003541	Forming (stamping, etc.), support plate of damping pad	Y	1	
13	4011010708	Bolt gb5783-m8*30flznyc-8.8-480	Y	12	
14	25290003521	Forming (stamping, etc.), damping pad mounting plate	Y	1	
15	4011010711	Bolt gb5783-m8*20flznyc-8.8-480	Y	6	
16	25290011182	Welding, tank side lock column mounting frame weldment	Y	1	
17	25290011321	Bend plate	Y	1	
18	4015010280	Washer gb97.1-8flznyc-480	Y	8	
19	4120705910	Gas spring 361-506/1300n	Y	2	
20	4013010371	Nut gb6172.1-m10flznyc-10-480	Y	6	
21	25290015331	Spring	Y	2	
22	4190705114	Trimark single-rotor lock 52334-01	Y	2	

**Assembly**





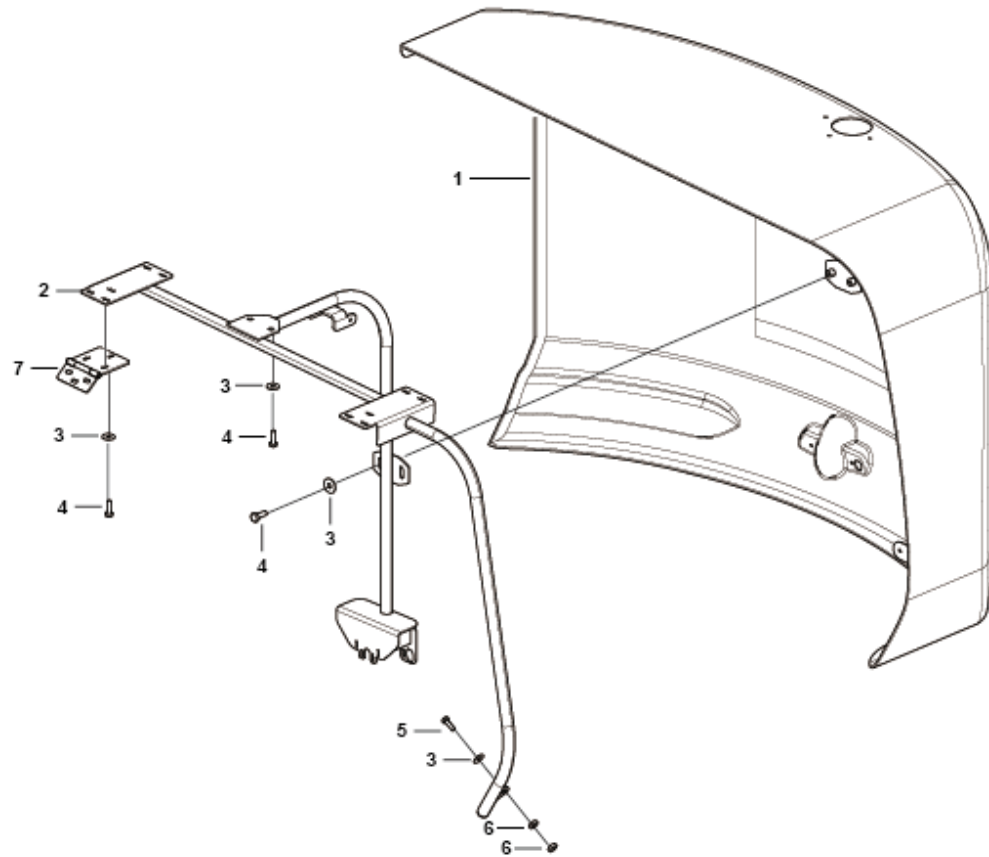
**Assembly**



I1700-2529001438.S3B



# Assembly



I1700-2529001439.S3B





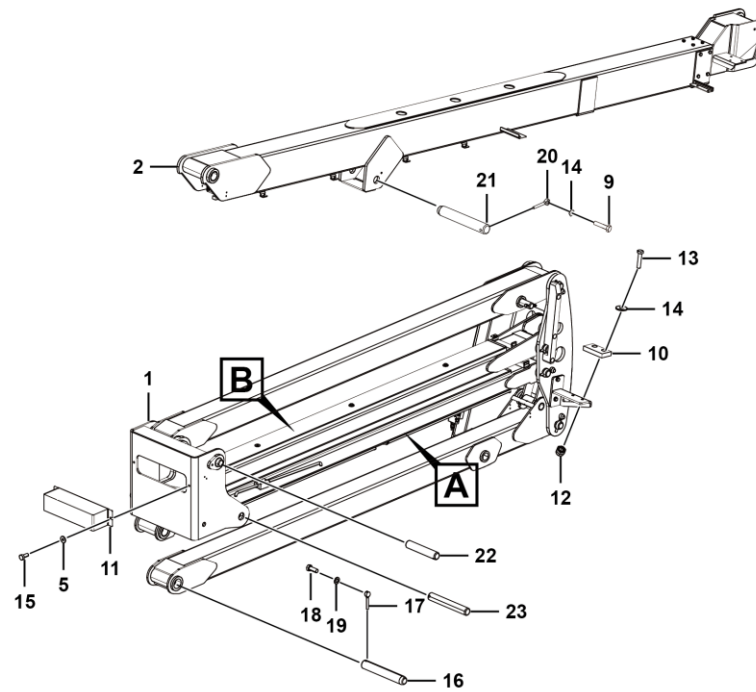
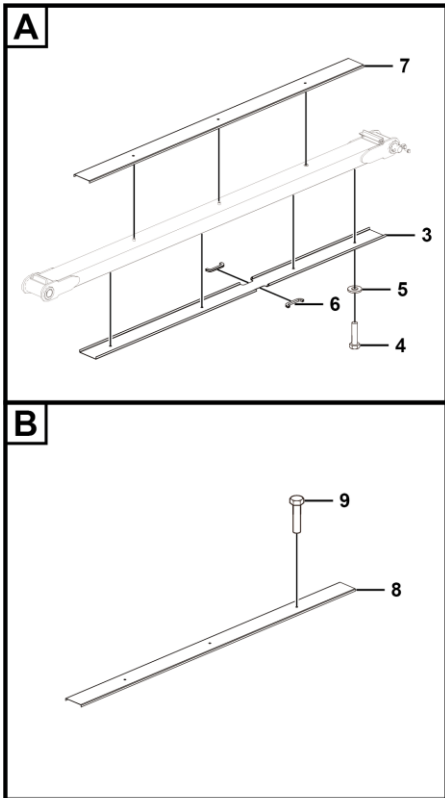


**J**  
**BOOM SYSTEM**



**LINGONG GROUP JINAN HEAVY MACHINERY CO., LTD.**

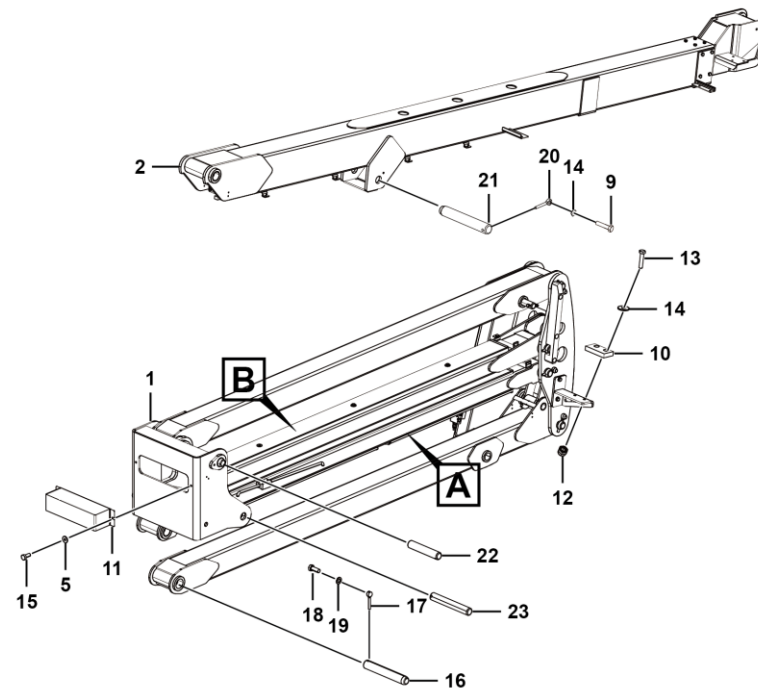
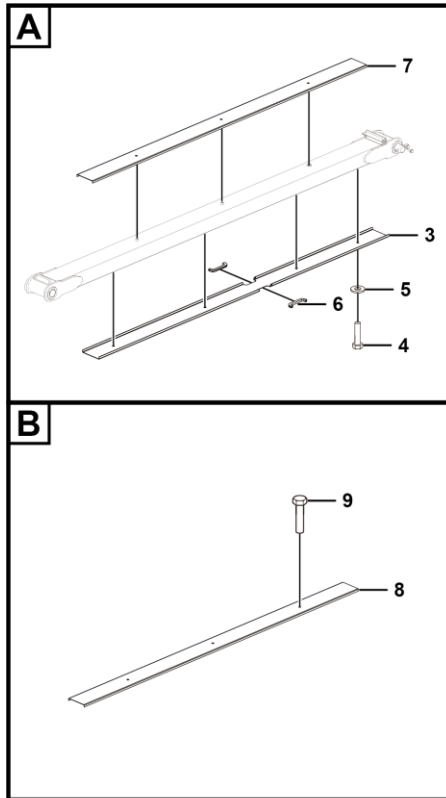
# Bracket assembly



J1800-2522000544.S1b

Key	Part No.	Description	Spare parts Y/N	Qty	Remarks
1	25220003011	Folding jib assembly	N	1	
2	25220005451	Telescopic boom assembly	N	1	
3	25220001021	Pipe cover of folding jib	Y	1	
4	4011010963	Bolt gb5783-m10*16flznyc-8.8-480	Y	7	
5	4015010278	Washer gb96.1-10flznyc-480	Y	14	
6	25200001351	Clip strip	Y	6	
7	25220001031	Pipe cover of folding jib	Y	1	
8	25220001041	Pipe cover of folding jib	Y	1	
9	4011010722	Bolt gb5783-m10*25flznyc-8.8-480	Y	6	
10	25220001011	Cushion block, for fixing support plate	Y	1	
11	25220015301	Welding, cover plate weldment	Y	1	
12	4013010296	Nut gb889.1-m10flznyc-8	Y	2	
13	4011011046	Bolt gb5783-m10*45flznyc-8.8-480	Y	2	
14	4015010279	Washer gb97.1-10flznyc-480	Y	5	
15	4011010748	Bolt gb5783-m10*20flznyc-8.8-480	Y	2	
16	25220003091	Shaft 50.8*312*13*297	Y	2	
17	25220000611	Pin φ33-70	Y	3	
18	4011010978	Bolt gb5783-m12*30flznyc-8.8-480	Y	3	
19	4015010282	Washer gb97.1-12flznyc-480	Y	3	
20	25200000641	Pin, 10*70	Y	3	
21	25220001071	Shaft 1.75 " x9.25 "	Y	1	
22	25220003101	Leveling cylinder shaft	Y	2	

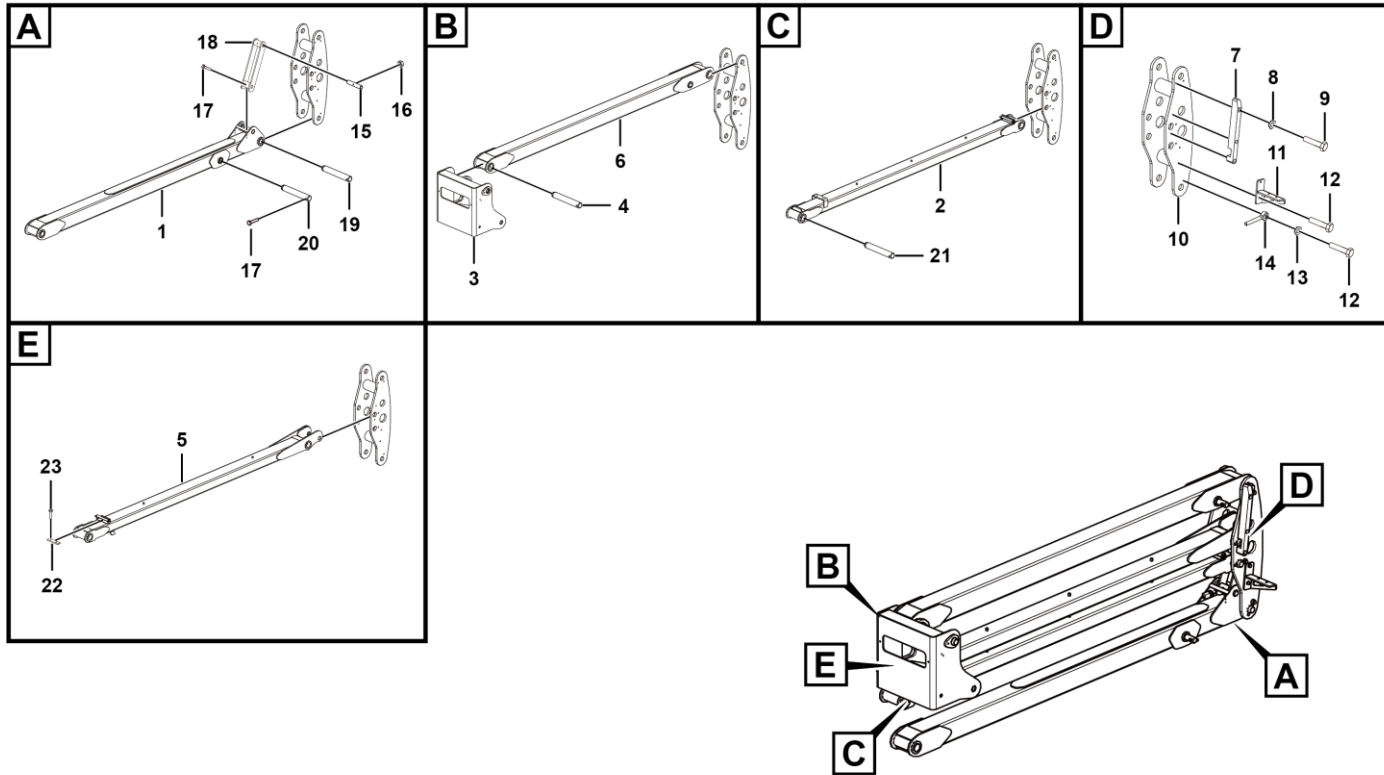
# Bracket assembly



J1800-2522000544.S1b



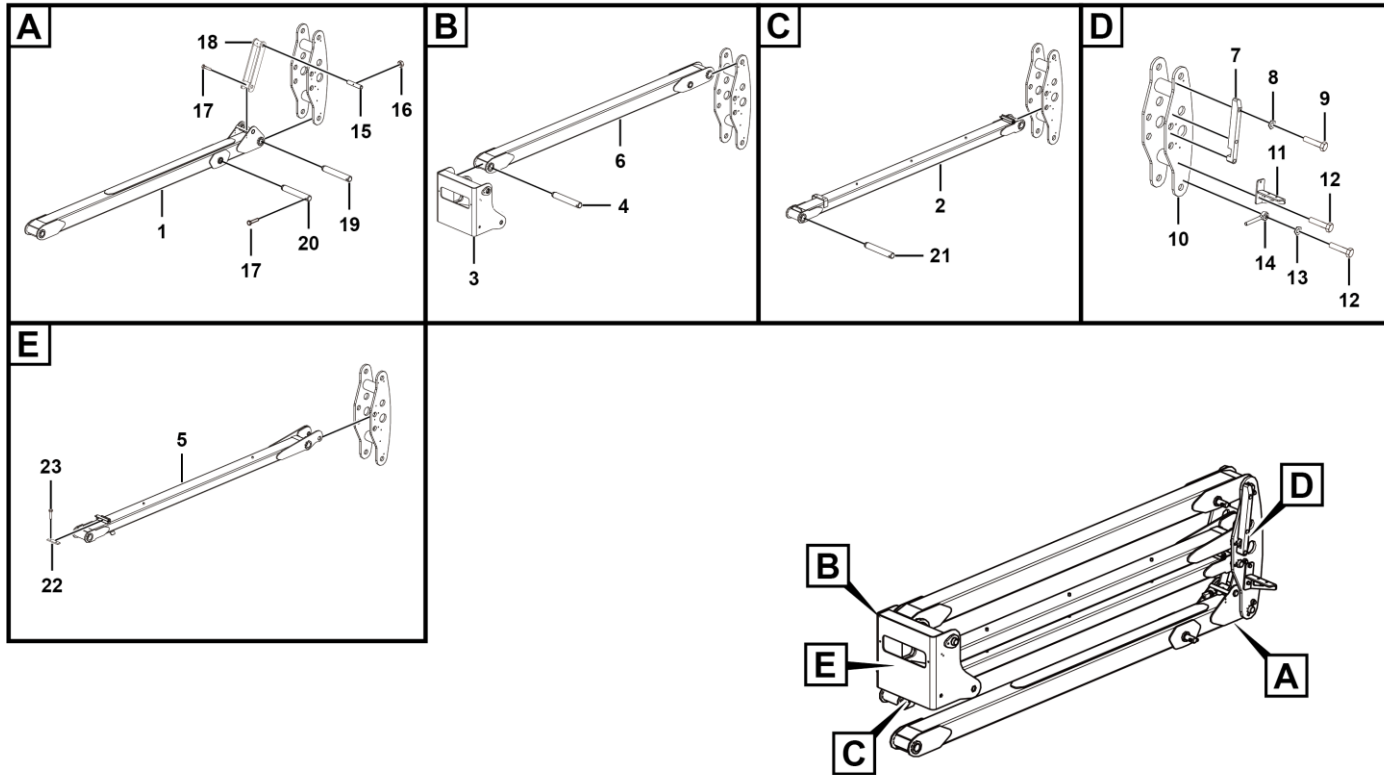
# Arm



J1801-2522000301.S1a

Key	Part No.	Description	Spare parts Y/N	Qty	Remarks
1	25220000191	Lower 2nd jib assembly	Y	1	
2	25220000343	Lower 1st jib assembly	Y	1	
3	25220021001	Upper pivot distribution assembly	Y	1	
4	25220000631	Shaft 2 " x24 "	Y	1	
5	25220000431	Upper 1st jib assembly	Y	1	
6	25220000481	Upper 2nd jib assembly	Y	1	
7	25220001111	Spacer block, fixing pivot	Y	1	
8	4015010279	Washer gb97.1-10flznyc-480	Y	3	
9	4011010727	Bolt gb5783-m10*35flznyc-8.8-480	Y	3	
10	25220000022	Welding, pivot of folding jib	Y	1	
11	25220002981	Welding, support	Y	1	
12	4011010978	Bolt gb5783-m12*30flznyc-8.8-480	Y	8	
13	4015010282	Washer gb97.1-12flznyc-480	Y	8	
14	25220000611	Pin $\phi$ 33-70	Y	6	
15	25220000621	Shaft 1.5 " x7.5 "	Y	2	
16	4013010296	Nut gb889.1-m10flznyc-8	Y	6	
17	4011010724	Bolt gb5782-m10*75flznyc-8.8	Y	6	
18	25220000531	Welding, connecting rod of pivot	Y	1	
19	25220000601	Shaft 2 " x10.88 "	Y	4	
20	25220000651	Shaft 1.5 " x13.88 "	Y	2	
21	25220000641	Shaft 2 " x12.88 "	Y	1	
22	25220000591	Cushion block	Y	1	

# Arm

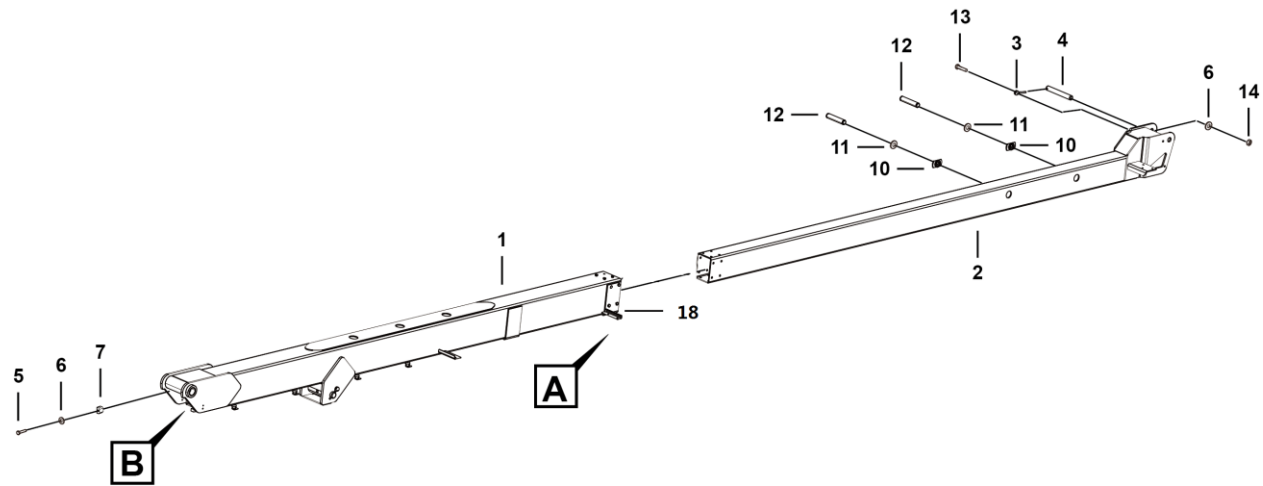
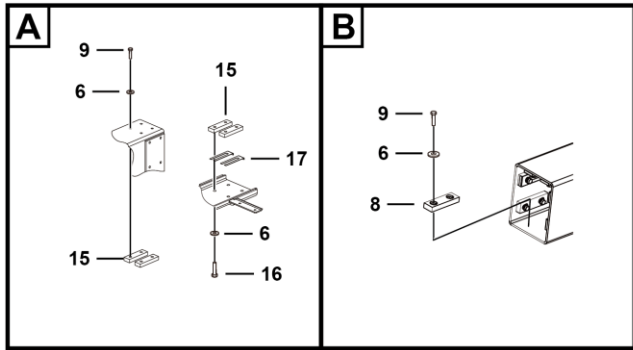


J1801-2522000301.S1a





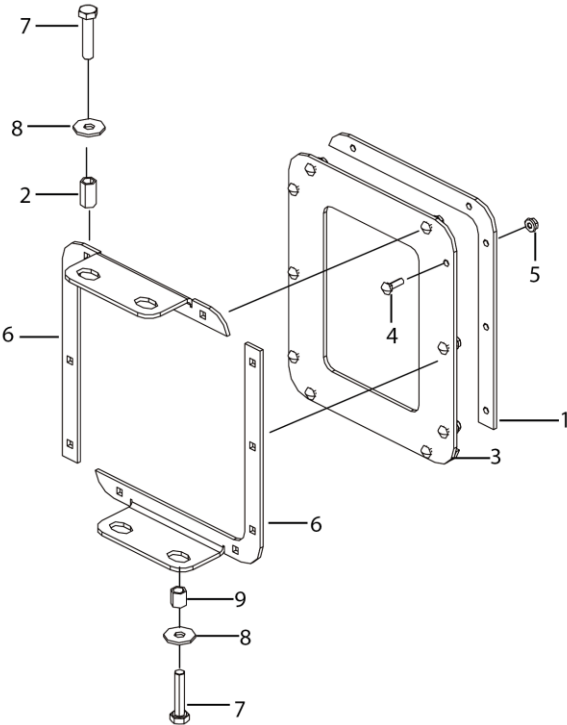
### Extend stretch arm assembly



J1802-2522000545.S1b

Key	Part No.	Description	Spare parts Y/N	Qty	Remarks
1	25220005461	Main boom assembly	Y	1	
2	25220002952	Extension jib	N	1	
3	25200000641	Pin, 10*70	Y	1	
4	25220001001	Shaft 1.25 " x8.88 "	Y	1	
5	4011010732	Bolt gb5782-m10*50flznyc-8.8-480	Y	2	
6	4015010279	Washer gb97.1-10flznyc-480	Y	30	
7	25220001102	Cylinder pressure plate, for fixing and pressing telescopic cylinder	Y	2	
8	25220003111	Slider, for fixing support plate	Y	1	
9	4011010748	Bolt gb5783-m10*20flznyc-8.8-480	Y	16	
10	4015010251	Snap ring jb4342-32-65mn	Y	4	
11	25220000991	Washer, φ15*2	Y	4	
12	25220000982	Shaft 1.25 " x6.36 "	Y	2	
13	4011010706	Bolt gb5783-m10*40flznyc-8.8-480	Y	1	
14	4013010296	Nut gb889.1-m10flznyc-8	Y	1	
15	25220003122	Slider, for fixing support plate	Y	14	
16	4011010707	Bolt gb5783-m10*30flznyc-8.8-480	Y	10	
17	25220002821	Shim, for fixing support plate	Y	14	
18	25220011861	Housing assembly	N	1	

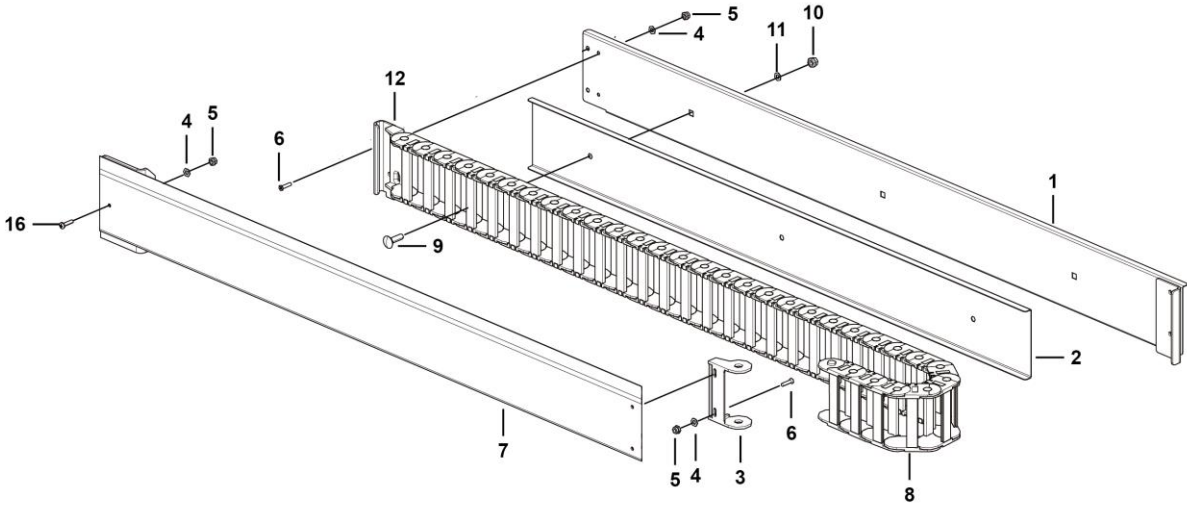
**Shield assembly**



J1800-2522001186.S



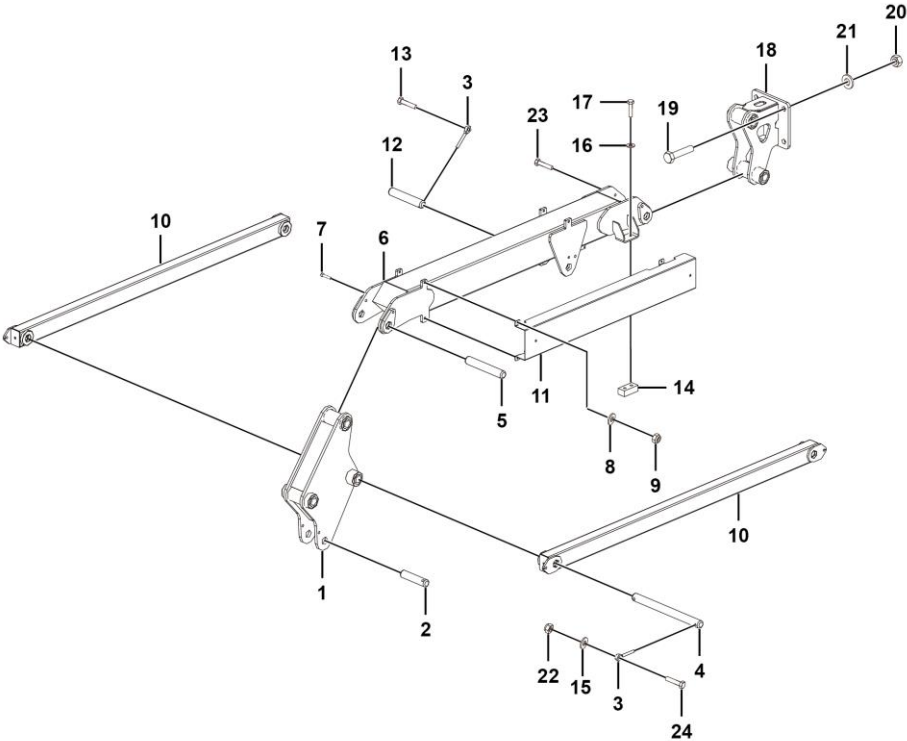
**Cable carrier system**



J2000-2524000072.S1A

Key	Part No.	Description	Spare parts Y/N	Qty	Remarks
1	25240000732	Plate	Y	1	
2	25240000741	Welding, cover plate weldment	Y	1	
3	4190707433	Joint ma	Y	1	
4	4015010296	Washer gb96.1-6flznyc-480	Y	6	
5	4013010300	Nut gb889.1-m6flznyc-8-480	Y	5	
6	4014010450	Screw gb818-m6*25flznyc-4.8	Y	4	
7	25240000762	Wiring aluminum pipe	Y	1	
8	4190707431	Chain 1555.030.100.63	Y	33	
9	4011011165	Bolt gb14-m10*35flznyc-8.8-480	Y	3	
10	4013010296	Nut gb889.1-m10flznyc-8	Y	3	
11	4015010339	Washer gb97.1-10flznyc-300hv-480	Y	3	
12	4190707432	Joint fa	Y	1	

**Arm assembly**



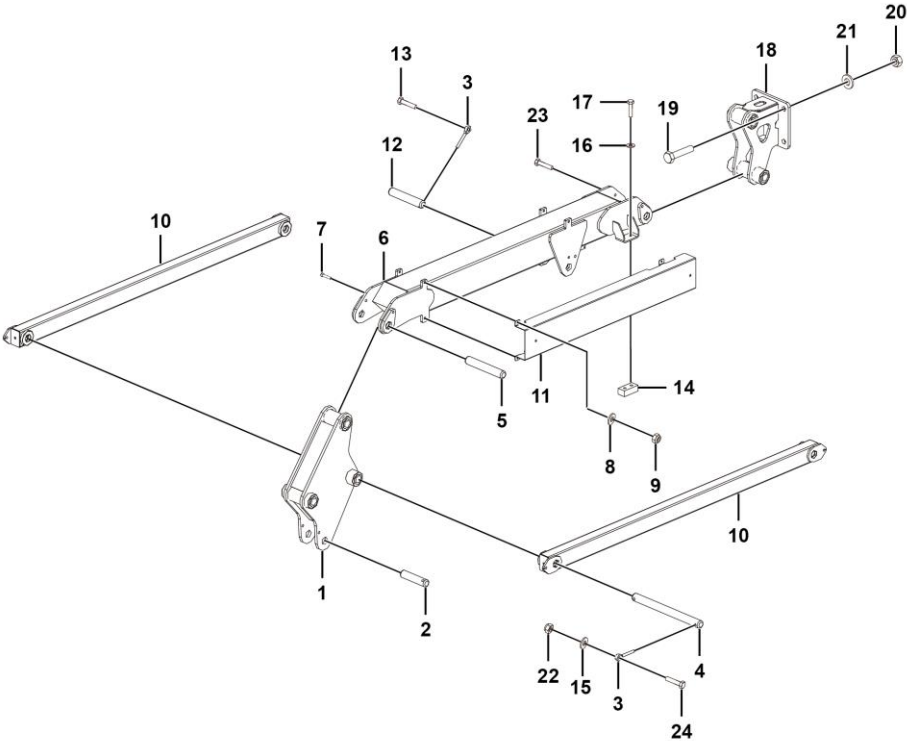
J2400-2527000030.B1c



Key	Part No.	Description	Spare parts Y/N	Qty	Remarks
1	25240000021	Lower connecting bracket assembly	Y	1	
2	25240000391	Shaft 1.25 " x5.25 "	Y	1	
3	25200000641	Pin, 10*70	Y	8	
4	25240000351	Shaft 1.25 " x14.45 "	Y	2	
5	25240000361	Shaft 1.25 " x7.88 "	Y	2	
6	25270000293	Upper link	N	1	
7	4011010436	Bolt gb12-m6*25epzn-8.8	Y	4	
8	4015000207	Washer gb97.1-6epzn-300hv	Y	4	
9	4013000211	Nut gb889.1-m6epzn-8	Y	4	
10	25240000232	Welding, lower link	Y	2	
11	25240000381	Guard plate, pipeline	Y	1	
12	25240000371	Shaft 1.25 " x7.00 "	Y	1	
13	4011000184	Bolt gb5783-m10*40epzn-8.8	Y	2	
14	25240000402	Cushion block, for jib limiting	Y	2	
15	4015000162	Washer gb97.1-10epzn-300hv	Y	10	
16	4015000072	Washer gb97.1-8epzn-300hv	Y	4	
17	4011000106	Bolt gb5783-m8*25epzn-8.8	Y	4	
18	25270000311	Upper connecting bracket assembly	N	1	
19	4011000438	Bolt gb5782-m16*100epzn-10.9	Y	4	
20	4013010220	Nut gb889.1-m16epzn-10	Y	4	
21	4015000181	Washer gb97.1-16epzn-300hv	Y	4	
22	4013000189	Nut gb889.1-m10epzn-8	Y	8	



# Arm assembly



J2400-2527000030.B1c



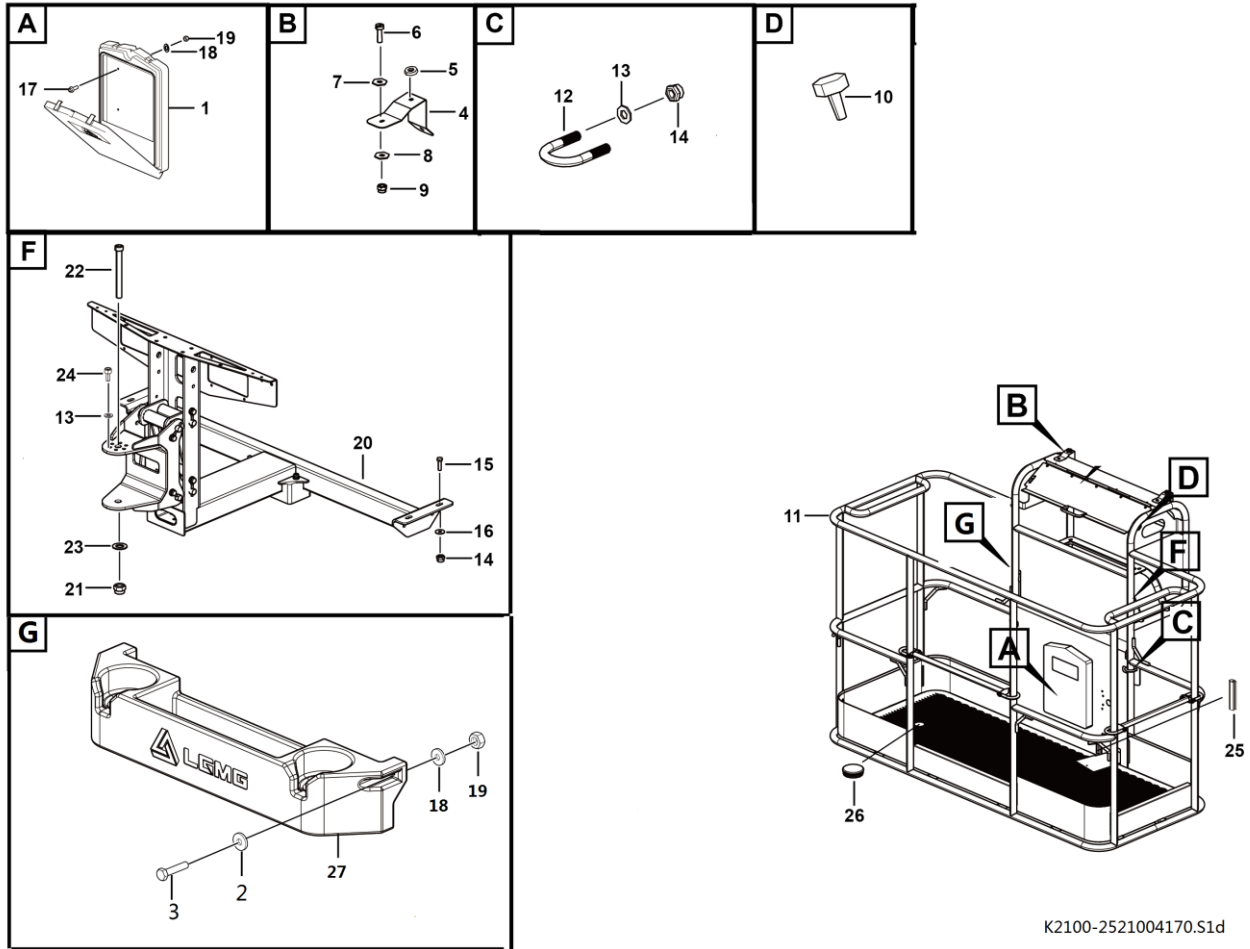


**K**  
**PLATFORM ASSEMBLY**



**LINGONG GROUP JINAN HEAVY MACHINERY CO., LTD.**

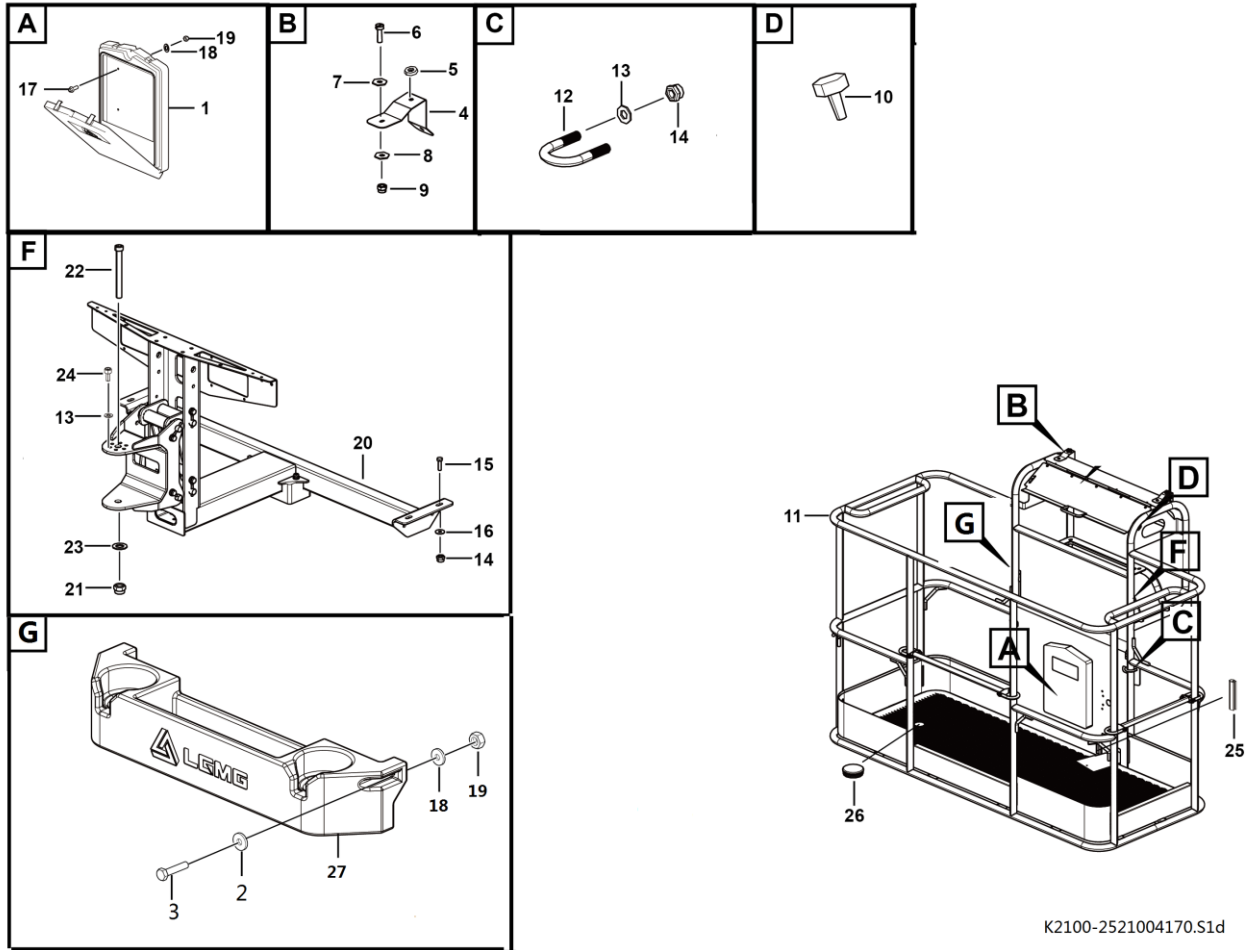
# Platform assembly



K2100-2521004170.S1d

Key	Part No.	Description	Spare parts Y/N	Qty	Remarks
1	25210000821	Manual box	Y	1	
2	4015010296	Washer gb96.1-6flznyc-480	Y	4	
3	4014010252	Screwgb70.1-m6*35flznyc-8.8-480	N	4	
4	25210039911	Forming (stamping, etc.), support plate, platform cover plate	Y	2	
5	4190704298	Foot pad sff-023	Y	2	
6	4014010341	Bolts	Y	4	
7	4015010365	Washer gb96.1-4flznyc-300hv-480	Y	4	
8	4015010290	Washer gb97.1-4flznyc-480	Y	4	
9	4013010360	Nut gb889.1-m4flznyc-8-480	Y	4	
10	4019010257	Foot pad sr 6449-049080011407	Y	2	
11	25210050661	Platform frame distribution assembly	Y	1	
12	25210033691	U-bolt, 35	Y	2	
13	4015010339	Washer gb97.1-10flznyc-300hv-480	Y	10	
14	4013010296	Nut gb889.1-m10flznyc-8	Y	8	
15	4011010727	Bolt gb5783-m10*35flznyc-8.8-480	Y	4	
16	4015010278	Washer gb96.1-10flznyc-480	Y	8	
17	4011010757	Bolt gb16674-m6*20flznyc-8.8	Y	4	
18	4015010284	Washer gb97.1-6flznyc-480	Y	8	
19	4013010299	Nut gb889.1-m6flznyc-8	Y	8	
20	25210041711	Platform support assembly	N	1	
21	4013010401	Nut gb889.1-m20flznyc-10-480	Y	1	
22	4014010456	Bolt gb70.1-m20*240flznyc-10.9	Y	1	

# Platform assembly

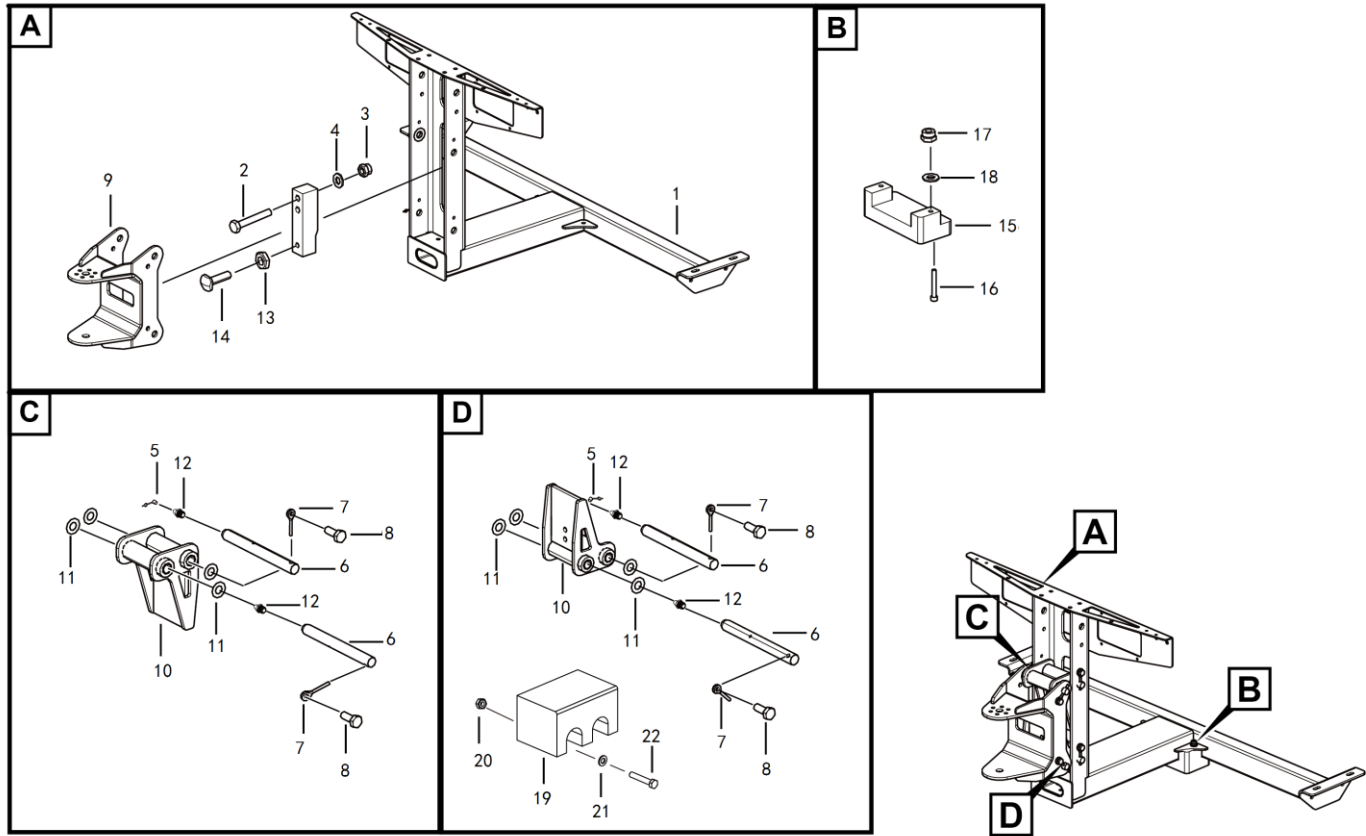


K2100-2521004170.S1d





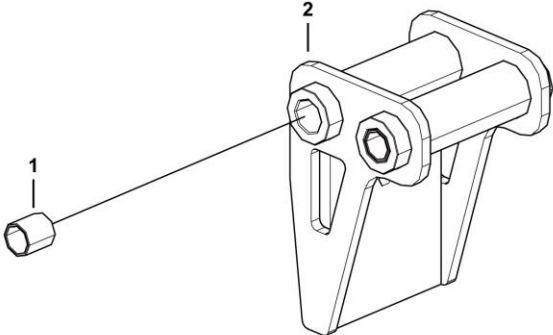
# Platform support assembly



K2100-2521004171.S1b

Key	Part No.	Description	Spare parts Y/N	Qty	Remarks
1	25210039535	Support	Y	1	
2	4011010956	Bolt gb5782-m12x70flznyc-8.8-480	Y	2	
3	4013010301	Nut gb889.1-m12flznyc-8-480	Y	2	
4	4015010340	Washer gb97.1-12flznyc-300hv-480	Y	2	
5	4030100411	Grease fitting protective cap-m6	Y	4	
6	25210039381	Transition bracket mounting pin	Y	4	
7	25200008311	Pin, 6.5*46	Y	4	
8	4011010748	Bolt gb5783-m10*20flznyc-8.8-480	Y	4	
9	25210041722	Welding, swing motor mounting bracket	Y	1	
10	25210039442	Welding, triangle bracket assembly	Y	2	
11	25210041851	Adjusting shim, $\phi$ 40*1	Y	8	
12	4090100154	Grease fitting	Y	4	
13	4013010315	Nut gb6172.1-m12flznyc-8-480	Y	1	
14	25210036551	Adjusting bolt m12*45	Y	1	
15	25210021682	Anti-collision seat, platform bottom anti-collision block	Y	1	
16	4014010426	Screwgb70.1-m10*80flznyc-8.8-480	Y	2	
17	4013010372	Nut gb889.1-m10flznyc-8-480	Y	2	
18	4015010339	Washer gb97.1-10flznyc-300hv-480	Y	2	
19	25210049862	Plate	Y	1	
20	4013010297	Nut gb889.1-m8flznyc-8-480	Y	2	
21	4015010280	Washer gb97.1-8flznyc-480	Y	4	
22	4014010420	Screw gb70.1-m8*40flznyc-8.8-480	Y	2	

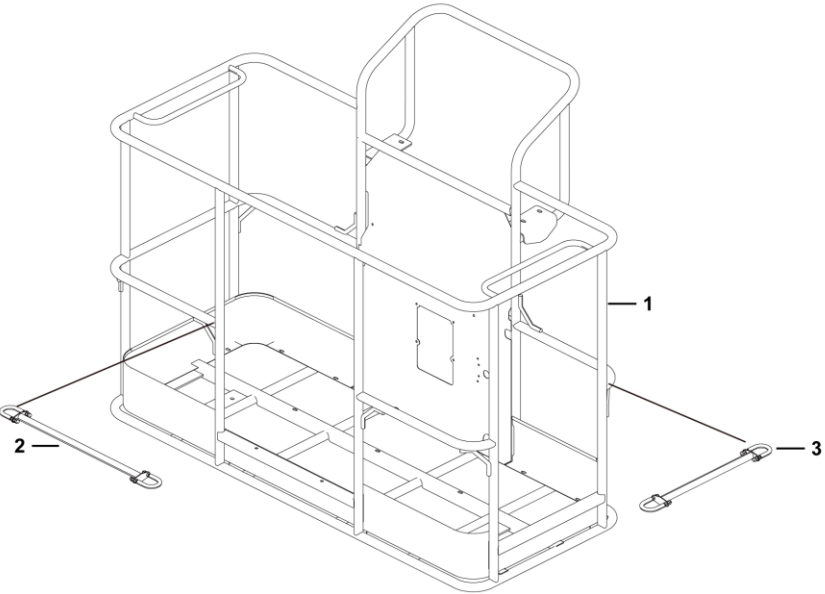
**Bracket assembly**



K2100-2521003944.S

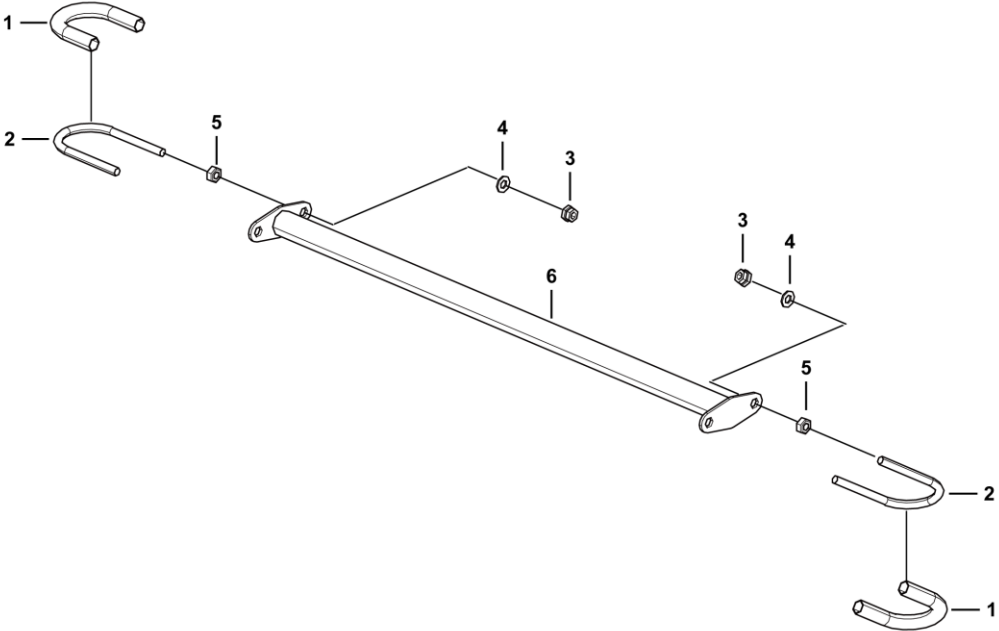


**Frame**





**U-shaped lifting cross bar assembly**

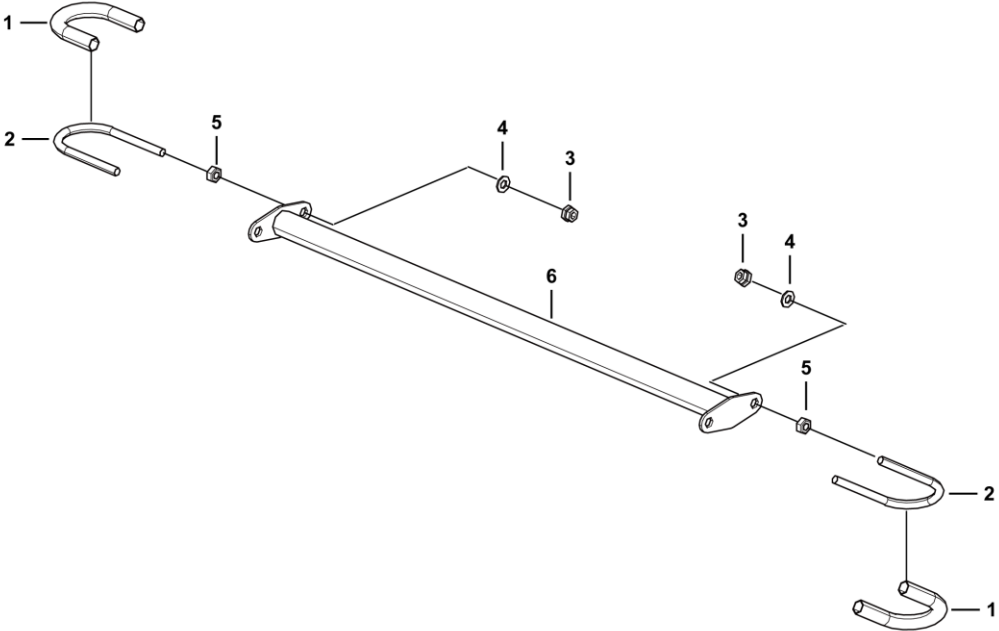


K2100-2521003957.S





**U-shaped lifting cross bar assembly**



K2100-2521003960.S





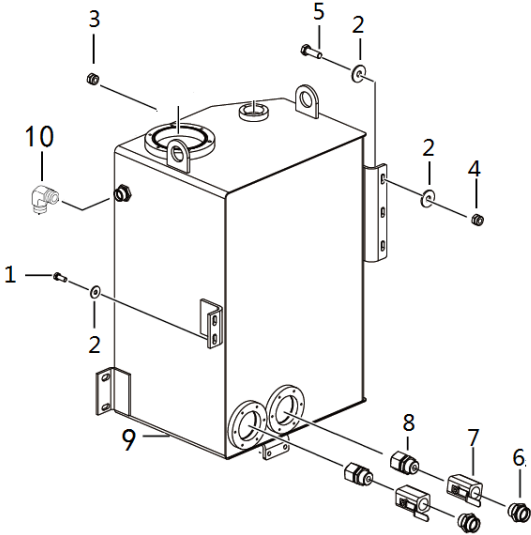
**L**  
**HYDRAULIC SYSTEM**



**LINGONG GROUP JINAN HEAVY MACHINERY CO., LTD.**

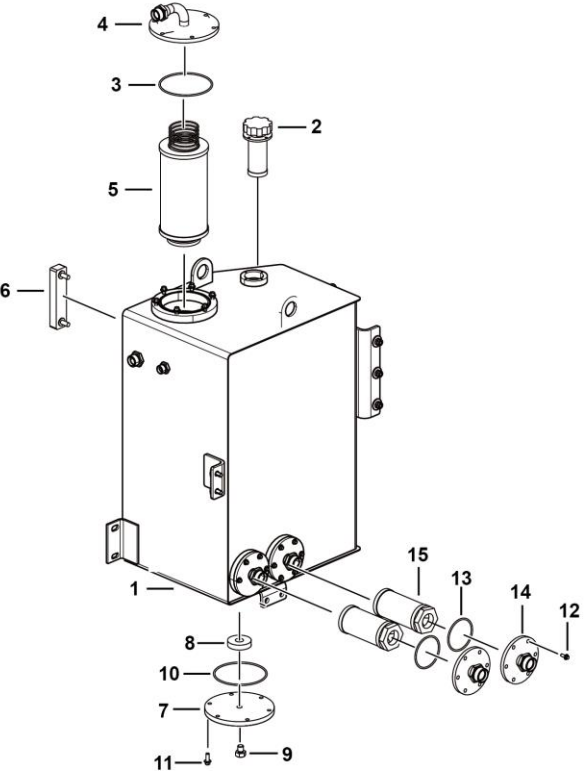
部件

2



Key	Part No.	Description	Spare parts Y/N	Qty	Remarks
1	4011010722	Bolt gb5783-m10*25flznyc-8.8-480	Y	4	
2	4015010278	Washer gb96.1-10flznyc-480	Y	10	
3	4030100334	9c-14	N	1	
4	4013010395	Nut gb889.1-m10flznyc-10	Y	3	
5	4011010727	Bolt gb5783-m10*35flznyc-8.8-480	Y	3	
6	4120000759	Straight fitting 1cg-36-16	Y	2	
7	4120703874	Ball valve q11f-16p-1"	Y	2	
8	4120706621	Transition fitting 2gc-16-36	Y	2	
9	25100003161	Hydraulic tank assembly	N	1	
10	4120000866	Right-angle joint2c9-22z	Y	1	

# Oil tank

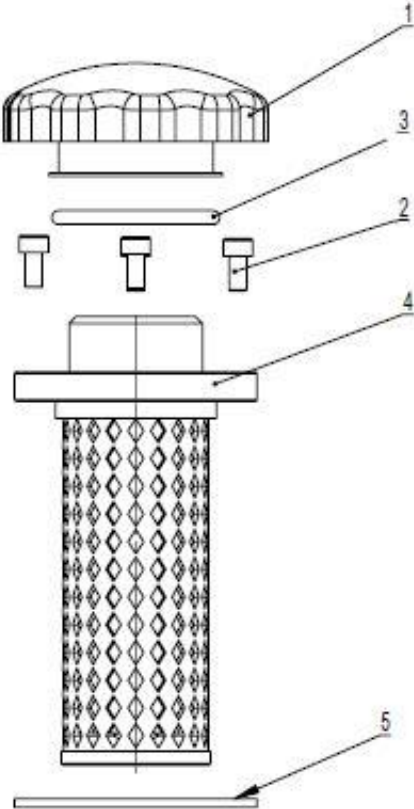


L2200-2510000316.S



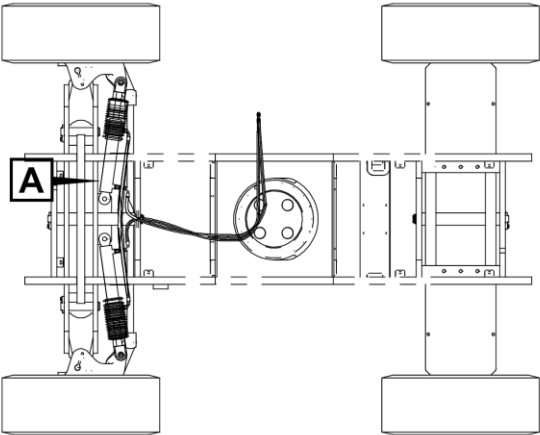
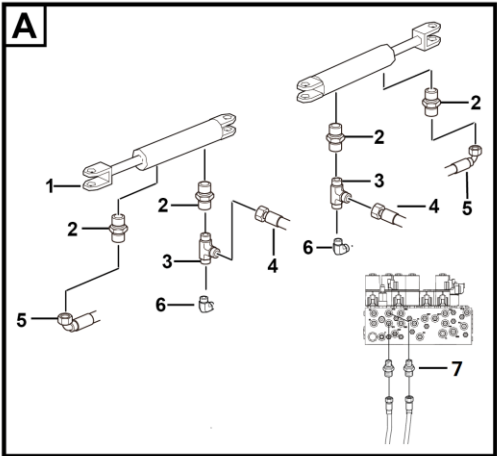
Key	Part No.	Description	Spare parts Y/N	Qty	Remarks
1	25100002412	Hydraulic tank weldment	Y	1	
2	4120001427	Air cleaner ef2-32	Y	1	
3	4030000633	O-ring gb3452.1-128*3.55g	Y	2	
4	25100001841	Oil return flange assembly	Y	1	
5	4120000304	Oil return filter element	Y	1	
6	4120001778	Level gauge ywz-127t	Y	1	
7	27160105801	Drain flange, φ170	Y	1	
8	4120000669	Ring magnet lg03-ct58*20*13	Y	1	
9	4041000774	Plug lgb135-01422	Y	1	
10	4041000767	O-ring lgb168-11124	Y	1	
11	4011010966	Bolt gb16674-m8*20flznyc-8.8-480	Y	12	
12	4011010735	Bolt gb16674-m6*16flznyc-8.8-480	Y	12	
13	4030000472	O-ring gb3452.1-80.0*2.65g	Y	2	
14	25100000211	Weldment, suction flange assembly	Y	2	
15	4120001891	Suction filter wu-100*180-j	Y	2	

**Air filter assembly**





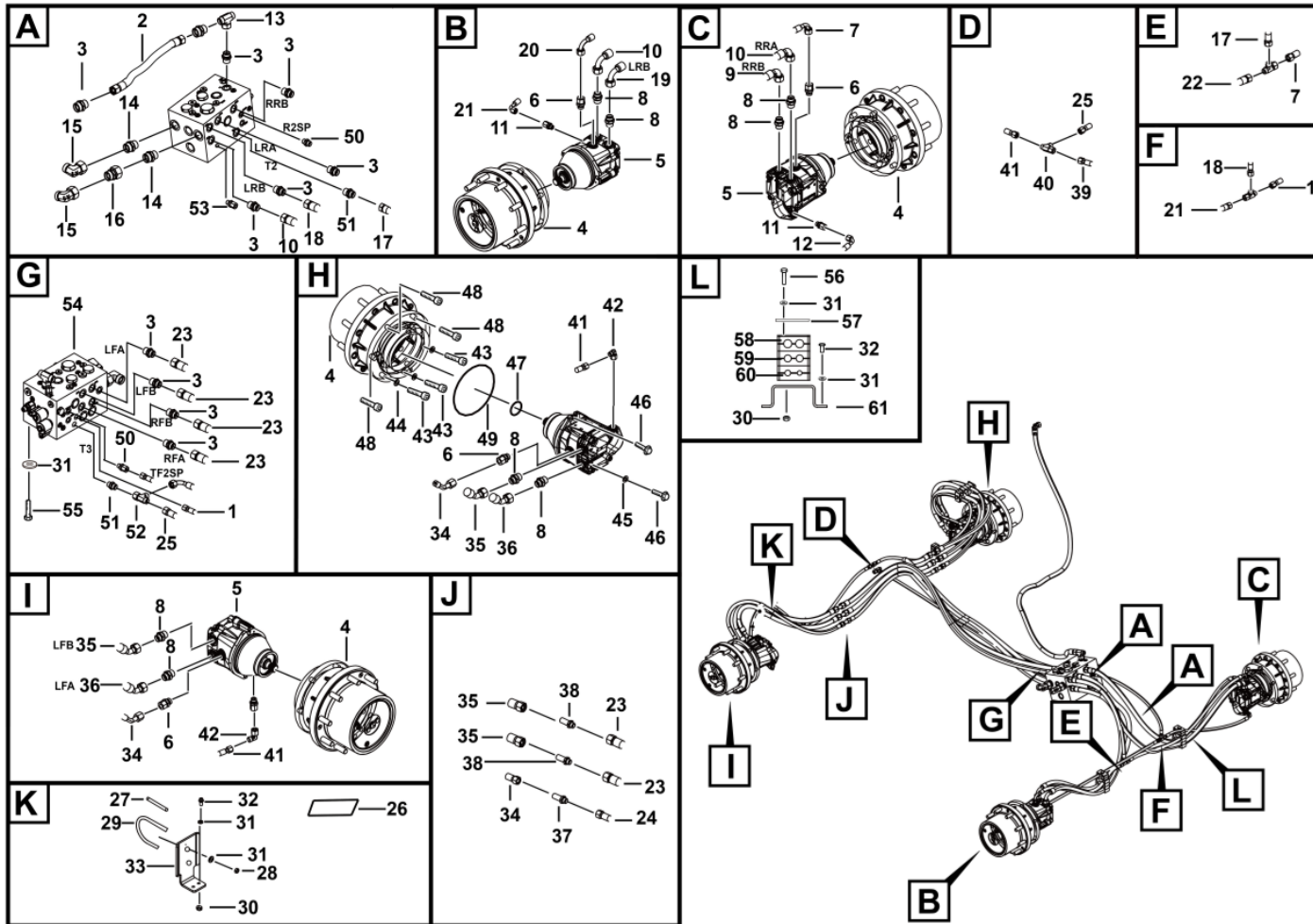
# Steering hydraulic assembly



L2300-2539000021.S

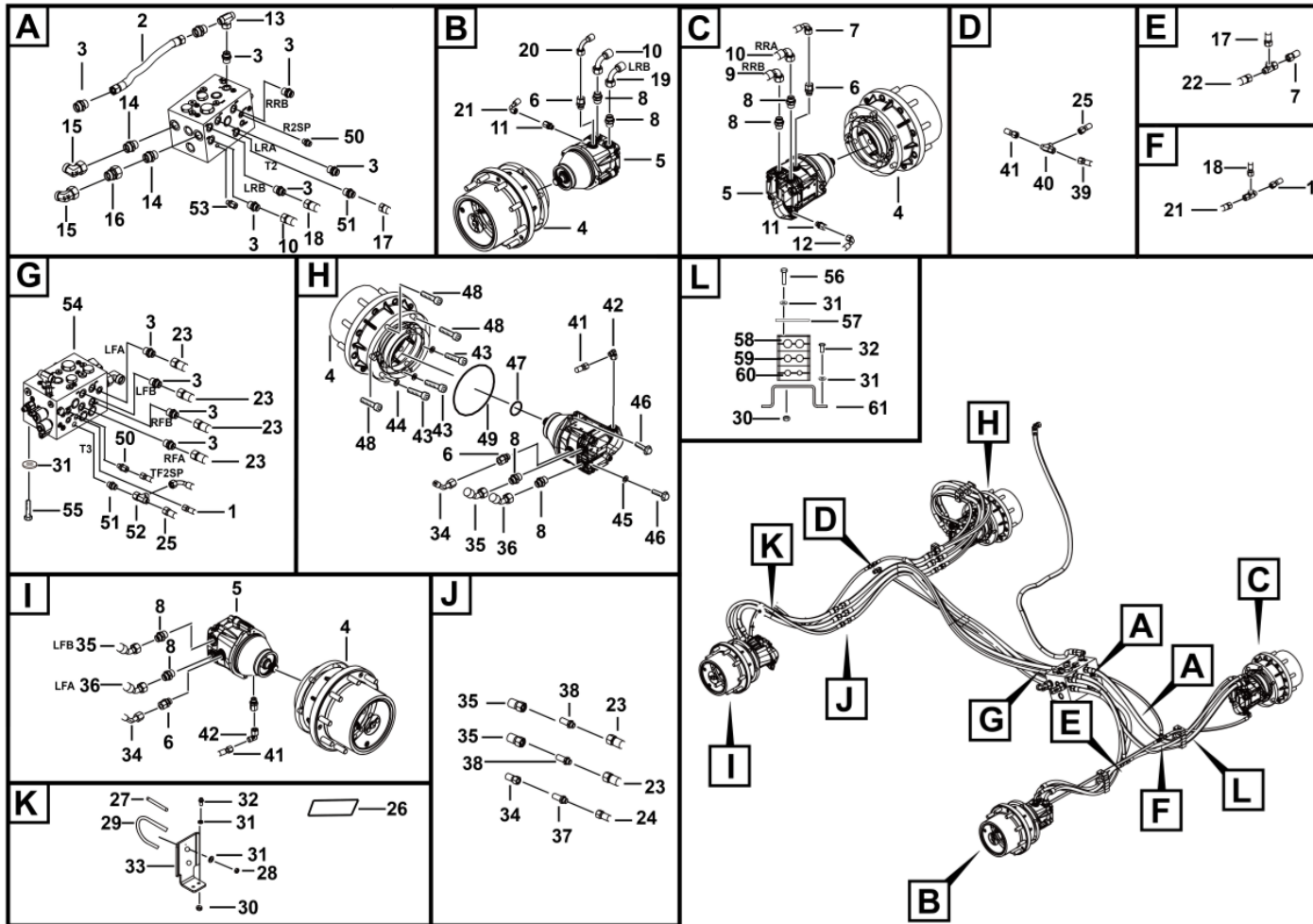


Drive hydraulic assembly



Key	Part No.	Description	Spare parts Y/N	Qty	Remarks
1	4120706130	Hose fc402caca151508-1790, walking control valve to oil filter	Y	1	
2	4120706382	Hose	Y	1	
3	4120001497	Fitting 1cb-22-08wd	Y	10	
4	4120703167	Driving reducer	Y	4	
5	4120001570	Drive motor	Y	4	
6	4120002264	Fitting 1co-18-08l38z	Y	4	
7	4120706177	Hose f481cacf121206-700, right rear motor to tee fitting	Y	1	
8	4120002266	Fitting 1co-22-12l44z	Y	8	
9	4120705549	Motor hose f471tccacf151508-1240, right rear motor to tee fitting	Y	1	
10	4120705545	Motor hose f471tccacf151508-1250, right rear motor to tee fitting	Y	2	
11	4120002265	Fitting 1co-14-06l33z	Y	2	
12	4120705551	Hose fc402cacf080804-630, balance valve to bulkhead fitting	Y	1	
13	4190000985	Tee fitting bc-22	Y	1	
14	4120001800	Straight-through joint1db-30-12wd	Y	2	
15	4129900386	Transit joint 2d9-30z	Y	2	
16	4120704196	Transition fitting 2d-30	Y	1	
17	4120706629	Hose f481caca121206-540, walking control valve port t2 to tee fitting	Y	1	
18	4120705552	Hose fc402caca080804-660, walking control valve port r2sp to tee fitting	Y	1	
19	4120705544	Motor hose f471tccacf151508-1215, left rear motor to walking control valve	Y	1	
20	4120705546	Hose f481cacf121206-850, left rear motor to tee fitting	Y	1	
21	4120706863	Hose fc402cacf080804-760, left rear motor to tee fitting	Y	1	
22	4120002419	Hose j20411-18-06tz/j20491-18-06tz*sr1sn-06*1650, walking motor to tee fitting	Y	1	

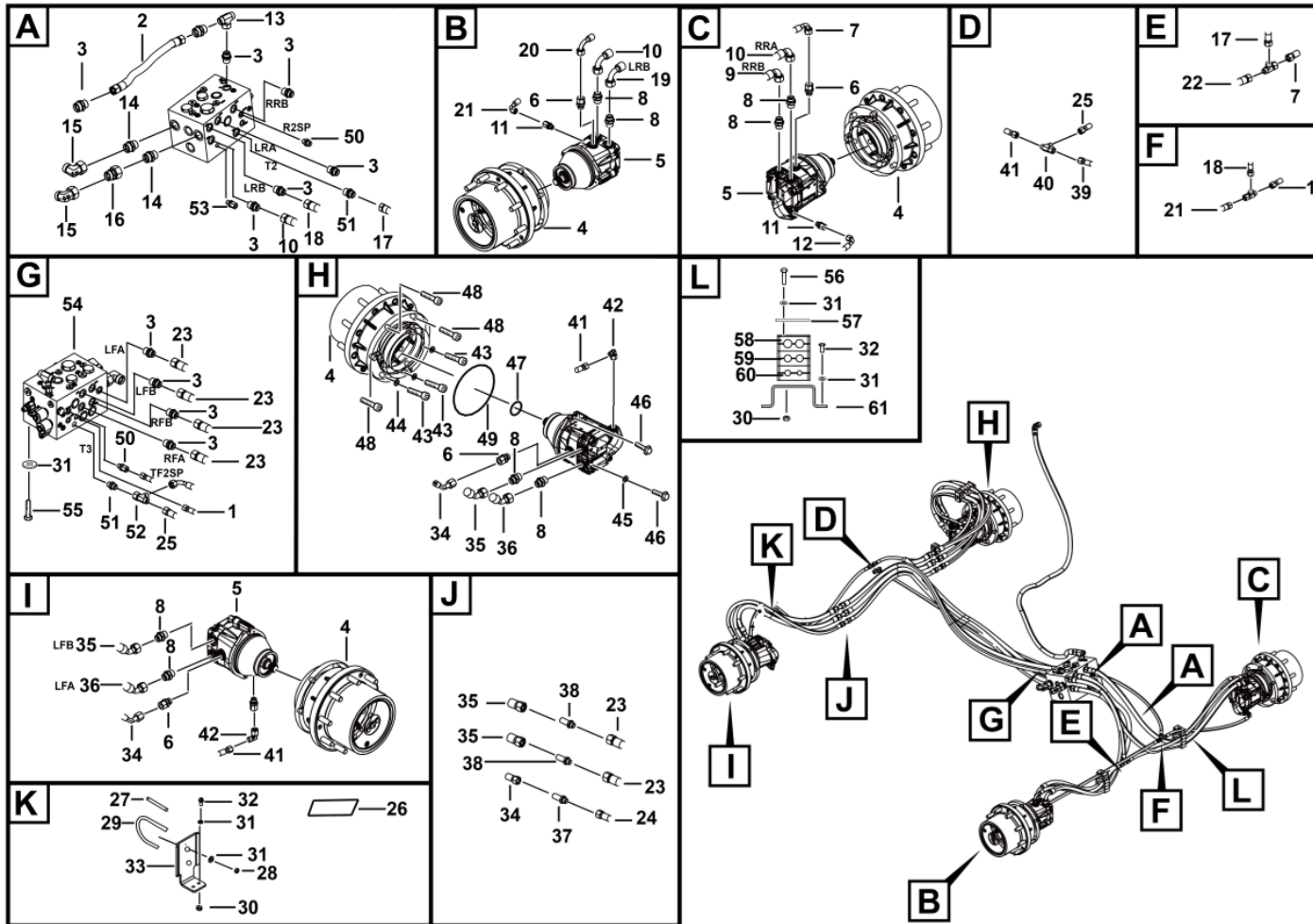
Drive hydraulic assembly





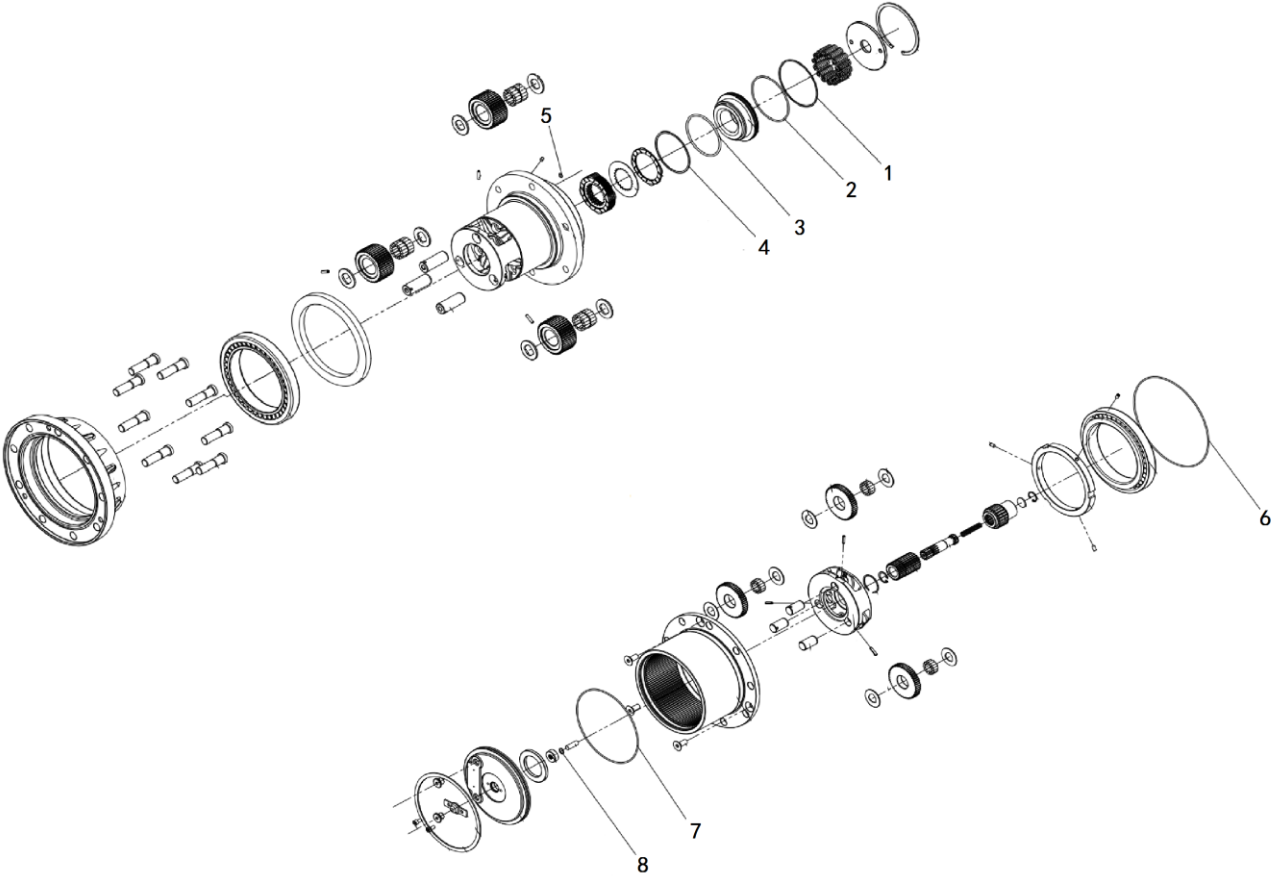
Key	Part No.	Description	Spare parts Y/N	Qty	Remarks
23	4120703440	Hose j20411-22-08tz*sr16sc-08*1630, walking control valve to bulkhead fitting	Y	4	
24	4120002418	Hose j20411-18-06tz*sr1sn-06*1650, walking control valve to bulkhead fitting	Y	1	
25	4120704698	Hose j20411-14-04tz*sr1sn-04*1450, walking control valve to tee fitting	Y	1	
26	25070005871	Canvas 250*1000	Y	2	
27	25070005861	Plastic sleeve	Y	2	
28	4013010291	Nut gb6170-m8flznyc-8-480	Y	2	
29	25070005851	U-bolt m8	Y	2	
30	4013010297	Nut gb889.1-m8flznyc-8-480	Y	6	
31	4015010280	Washer gb97.1-8flznyc-480	Y	20	
32	4011010711	Bolt gb5783-m8*20flznyc-8.8-480	Y	8	
33	25070005841	Forming (stamping, etc.), pipe bracket	Y	2	
34	4120705317	Hose f481cace121206-1095, left front motor to bulkhead fitting	Y	2	
35	4120704898	Motor hose f471tccace151508-1030, left front motor to bulkhead fitting	Y	2	
36	4120704897	Motor hose f471tccace151508-1055, left front motor to bulkhead fitting	Y	2	
37	4120002009	Bulkhead fitting 6c-18ln	Y	2	
38	4120001360	Bulkhead fitting 6c-22ln	Y	4	
39	4120703442	Hose j20411-14-04tz*sr1sn-04*1650, left front motor to tee fitting	Y	1	
40	4190001003	Tee fitting bc-14	Y	1	
41	4120704900	Hose f481caca080804-1540, right front motor to tee fitting	Y	1	
42	4120703809	Directional fitting 1co9-14-06og	Y	2	
43	4014010078	Screw 5/8-11unf-2b*1.5\inch-10.9	Y	12	
44	4015010342	Washer gb97.1-16flznyc-300hv-480	Y	24	

Drive hydraulic assembly



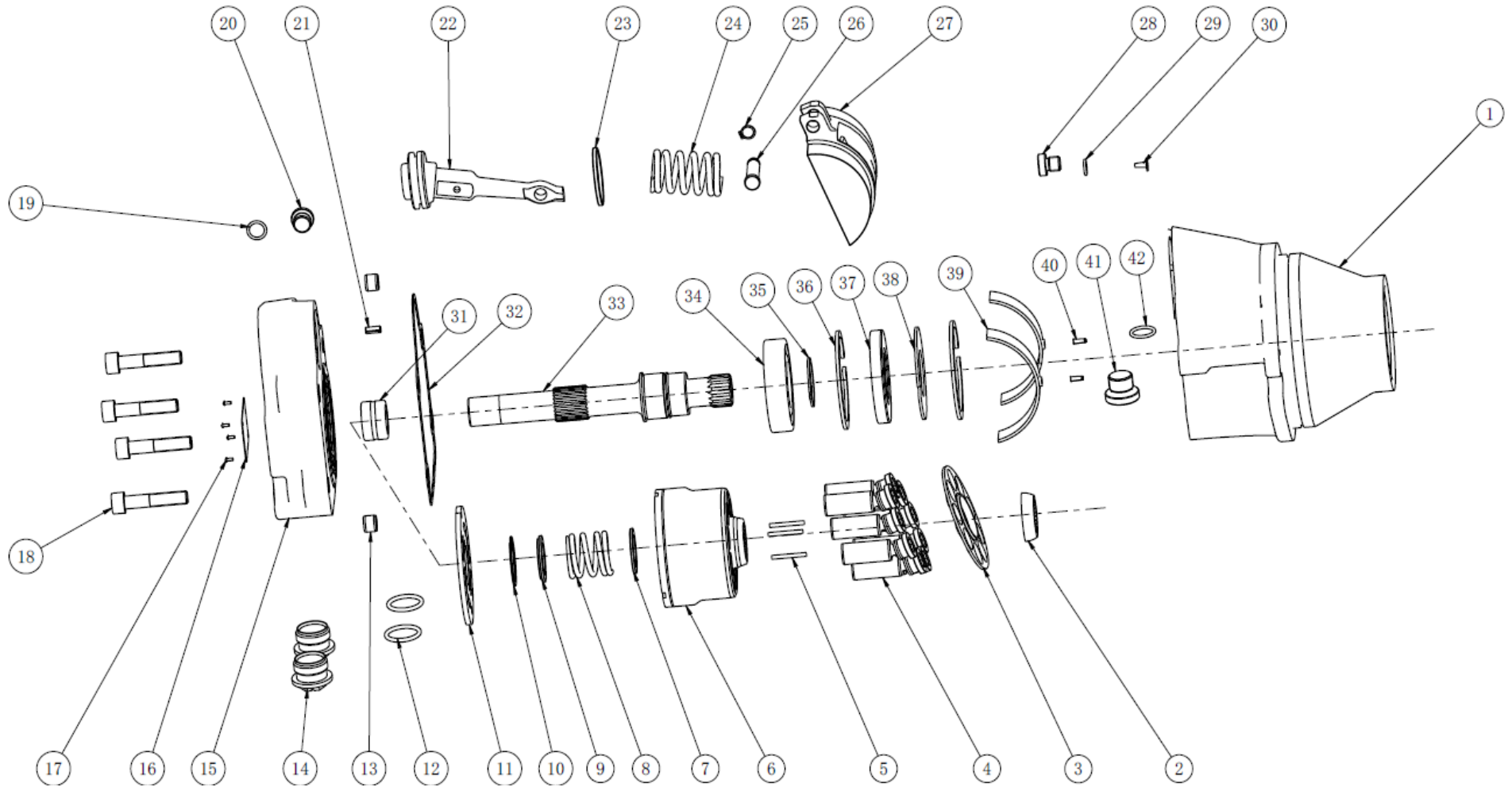
Key	Part No.	Description	Spare parts Y/N	Qty	Remarks
45	25070003961	Washer, φ24*5	N	8	
46	4011010516	Bolt 7/16-14unc-2b*30-10.9	Y	8	
47	4120002452	O-ring as568-6.07*1.78	Y	4	
48	4014010135	Bolt	Y	12	
49	4120001881	O-ring 120.3*2.62	Y	4	
50	4120001368	Fitting, hydraulic 1cb-14-04wd	Y	2	
51	4120001500	Fitting 1cb-18-08wd	Y	2	
52	4190000997	Tee fitting ac-18	Y	1	
53	4120001977	Pressure tap smk20-g1/4-pc	Y	2	
54	4120707818	Valvest5093-ab0c	Y	1	
55	4011010743	Bolt gb5783-m8*25flznyc-8.8-480	Y	4	
56	4011010965	Bolt gb5782-m8*140flznyc-8.8-480	Y	4	
57	25070006401	Pipe clamp pressure plate, 82*30*3	Y	2	
58	25070006391	Double-hole pipe clamp d21	Y	2	
59	25070006381	Double-hole pipe clamp d18	Y	2	
60	25070007331	Double-hole pipe clamp d15	Y	2	
61	25070006411	Forming (stamping, etc.), pipe clamp bracket	Y	2	

**Seal kit**



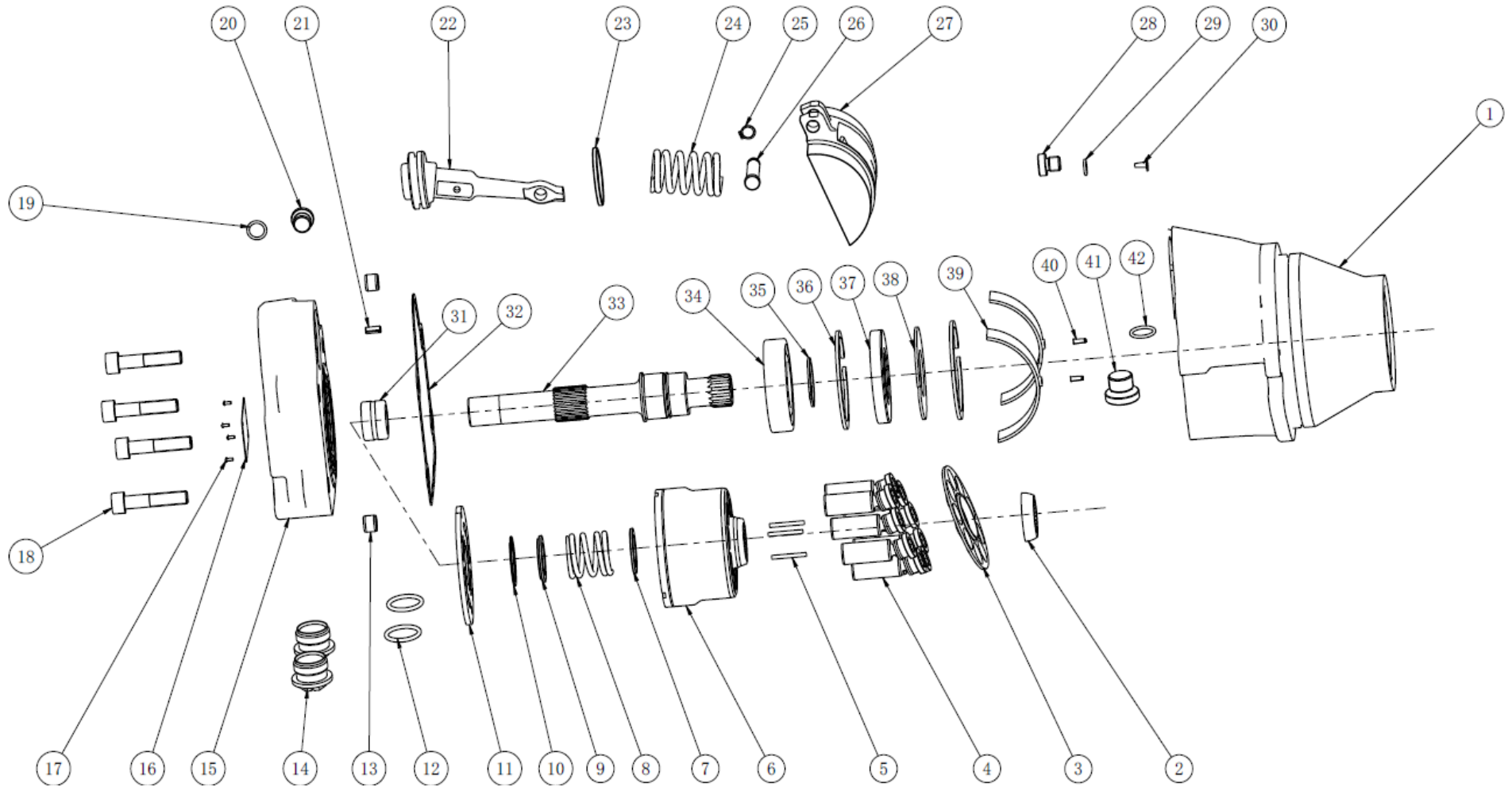


# Drive motor



Key	Part No.	Description	Spare parts Y/N	Qty	Remarks
1	4120001570001	Housing 02.01.02.00011	Y	1	
2	4120001570002	Spherical hinge 02.01.04.00012	Y	1	
3	4120001570003	Set plate 02.01.04.00013	Y	1	
4	4120001570004	Plunger shoe assembly 02.02.04.00008	Y	9	
5	4120001570005	Cylindrical pin 03.01.05.00019	Y	3	
6	4120001570006	Cylinder block 02.01.03.00019	Y	1	
7	4120001570007	Gasket02.01.16.00017	Y	1	
8	4120001570008	Center spring 03.04.01.00200	Y	1	
9	4120001570009	Gasket02.01.16.00018	Y	1	
10	4120001570010	Snap ring for hole 03.02.01.00388	Y	1	
11	4120001570011	Valve plate 02.01.03.00020	Y	1	
12	4120001570012	O-ring 03.02.01.00006	Y	2	
13	4120001570013	Dowel pin03.01.05.00022	Y	2	
14	4120001570014	Plastic plug 03.02.03.00087	Y	2	
15	4120001570015	Rear cover 02.01.06.00101	Y	1	
16	4120001570016	Plunger motor nameplate 03.30.04.00018	Y	1	
17	4120001570017	304 stainless steel rivet 03.01.02.00335	Y	4	
18	4120001570018	Hexagon socket screw 03.01.02.00478	Y	4	
19	4120001570019	O-ring 03.02.01.00389	Y	1	
20	4120001570020	Screw plug 03.02.03.00082	Y	1	
21	4120001570021	Elastic cylindrical pin 03.01.05.00020	Y	1	
22	4120001570022	Servo piston 02.01.07.00061	Y	1	

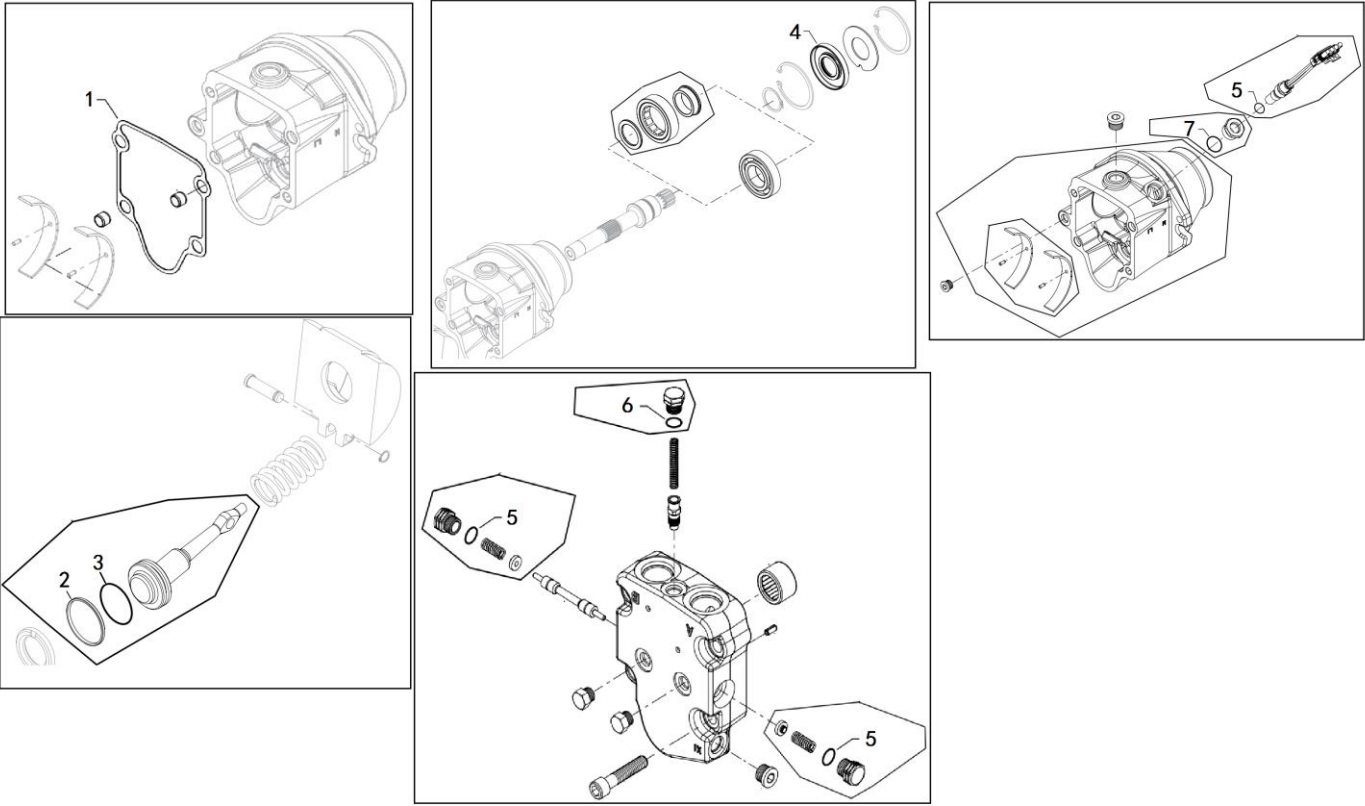
# Drive motor





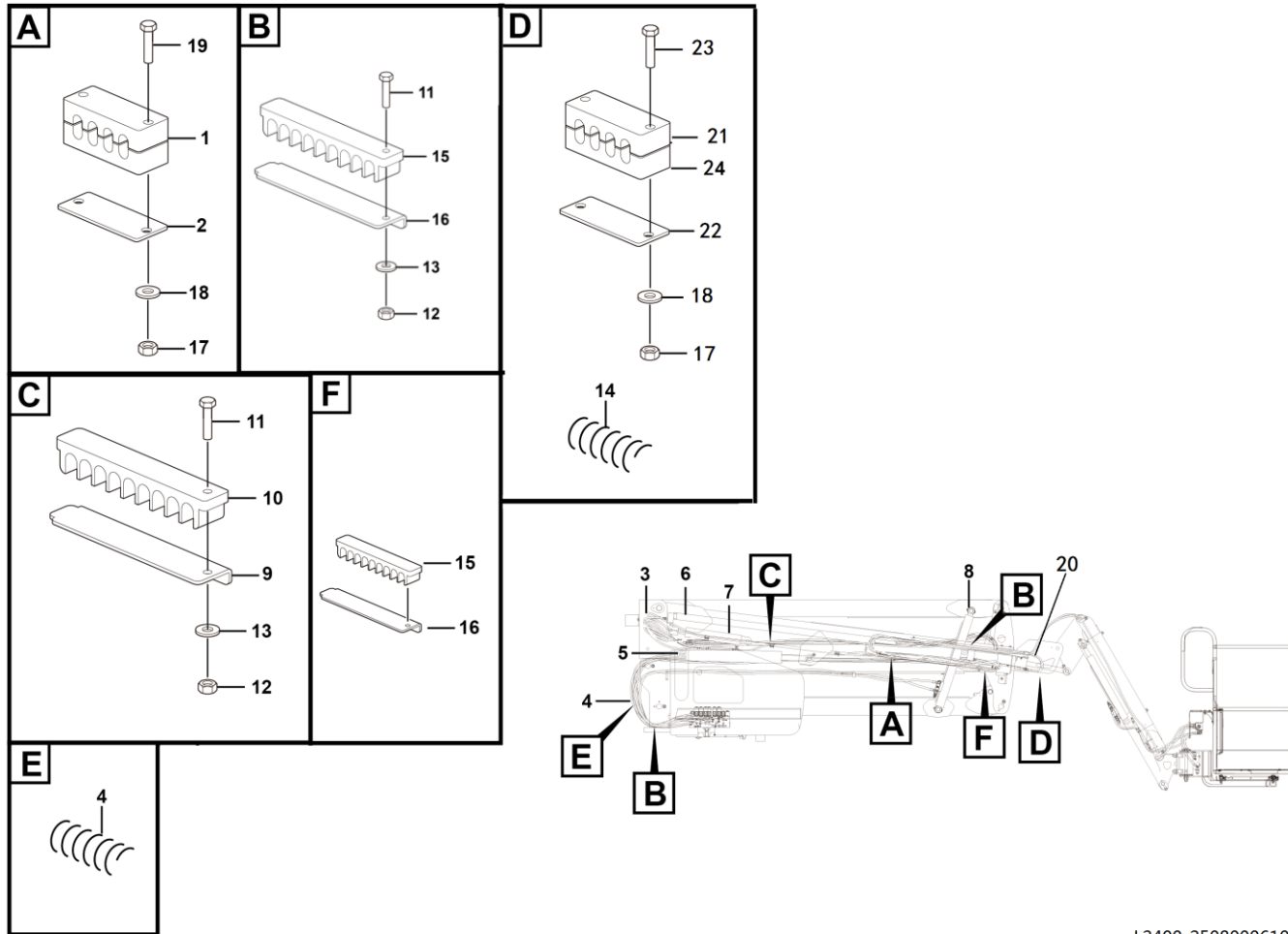
Key	Part No.	Description	Spare parts Y/N	Qty	Remarks
23	4120001570023	Glyd ring 03.02.01.00415	Y	1	
24	4120001570024	Servo piston spring 02.01.07.00066	Y	1	
25	4120001570025	C-type circlip for shaft 03.02.01.00390	Y	1	
26	4120001570026	Dowel pin03.01.05.00021	Y	1	
27	4120001570027	Swash plate 02.01.08.00015	Y	1	
28	4120001570028	Bleeding plug 02.01.17.00078	Y	1	
29	4120001570029	O-ring 03.02.01.00722	Y	1	
30	4120001570030	Plastic plug 02.01.17.00165	Y	1	
31	4120001570031	Bearing03.03.01.00015	Y	1	
32	4120001570032	Gasket 03.02.06.00042	Y	1	
33	4120001570033	Main shaft 02.01.01.00036	Y	1	
34	4120001570034	Deep groove ball bearing 03.03.01.00014	Y	1	
35	4120001570035	C-type circlip for shaft 03.02.01.00387	Y	1	
36	4120001570036	C-type snap ring for hole 03.02.01.00391	Y	2	
37	4120001570037	Oil seal 03.02.02.00005	Y	1	
38	4120001570038	Oil seal gasket 02.01.06.00102	Y	1	
39	4120001570039	Bearing bush 02.01.18.00001	Y	2	
40	4120001570040	Elastic cylindrical pin 03.01.05.00018	Y	2	
41	4120001570041	Oil return plug 02.01.17.00077	Y	1	
42	4120001570042	O-ring 03.02.01.00055	Y	1	

**Seal kit**





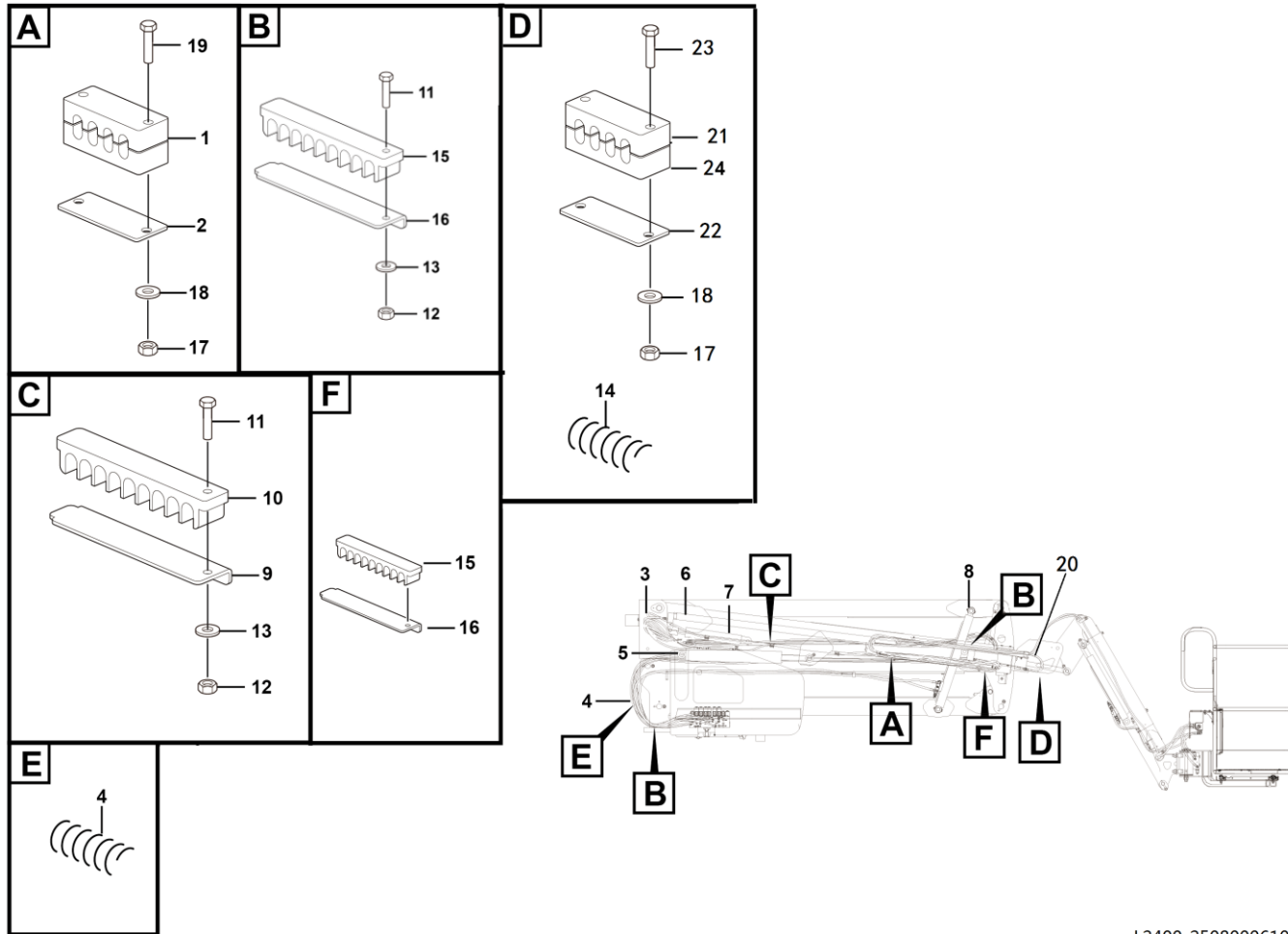
# Lifting hydraulic assembly



L2400-2508000610.S1B1

Key	Part No.	Description	Spare parts Y/N	Qty	Remarks
1	25080009431	Clamp3	Y	4	
2	25080000951	Cable chain outlet pipe clamp pressure plate, formed	Y	2	
3	25080001491	Canvas	Y	2	
4	4120002251	Hose sheath pg-062(600)	Y	18	
5	25080006041	Primary boom hydraulic assembly	N	1	
6	25080006071	Extending hydraulic assembly	N	1	
7	25080006111	Platform level hydraulic assembly	N	1	
8	25080006131	Secondary boom hydraulic assembly	N	1	
9	25080000411	Telescopic boom upper pipe clamp pressure plate	Y	3	
10	25080006171	Telescopic boom upper pipe clamp	Y	3	
11	4011010747	Bolt gb5783-m6*16flznyc-8.8-480	Y	6	
12	4013010293	Nut gb6170-m6flznyc-8-480	Y	6	
13	4015010284	Washer gb97.1-6flznyc-480	Y	6	
14	4120001532	Hose sheath pg-062(300)	Y	8	
15	25080006601	Pipe clamp, for fixing boom telescopic cylinder hydraulic pipe	Y	3	
16	25080000931	Plate	Y	3	
17	4013010297	Nut gb889.1-m8flznyc-8-480	Y	6	
18	4015010289	Washer gb96.1-8flznyc-480	Y	12	
19	4014010232	Bolt gb5782-m8*70flznyc-12.9-480	Y	4	
20	4120707038	Tie strap with pulling buckle zd-l467-w25-ljk	Y	1	
21	25080009231	Clamp 1	Y	1	
22	25080007611	Cable carrier outlet pipe clamp pressure plate 1	Y	1	

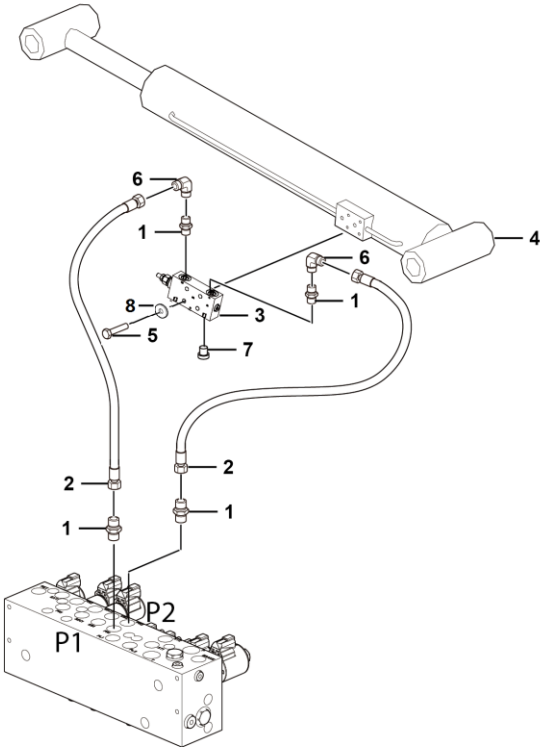
# Lifting hydraulic assembly



L2400-2508000610.S1B1



**Primary boom hydraulic assembly**

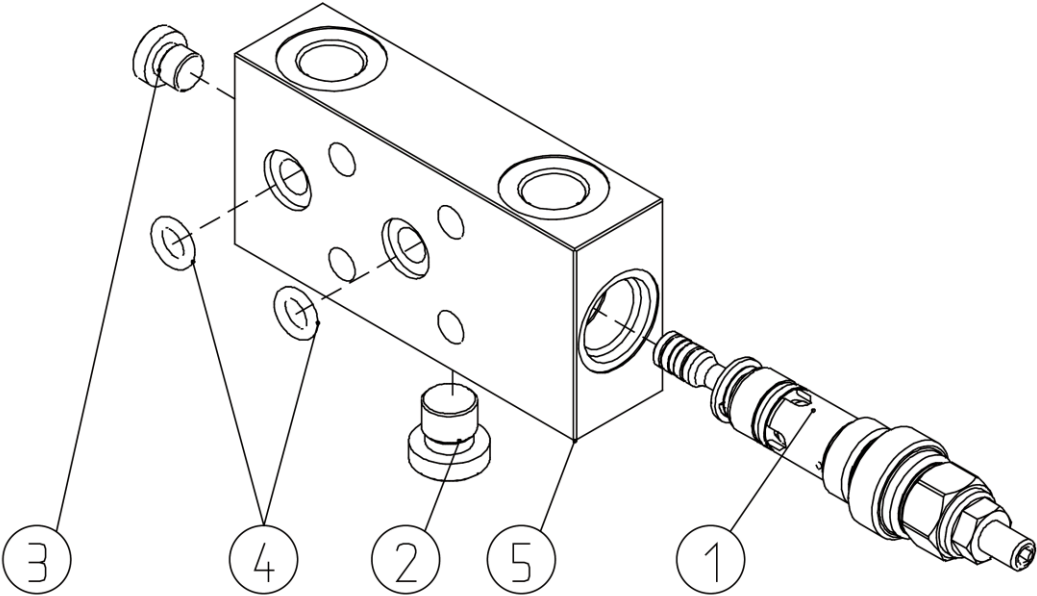


L2400-2508000604.S



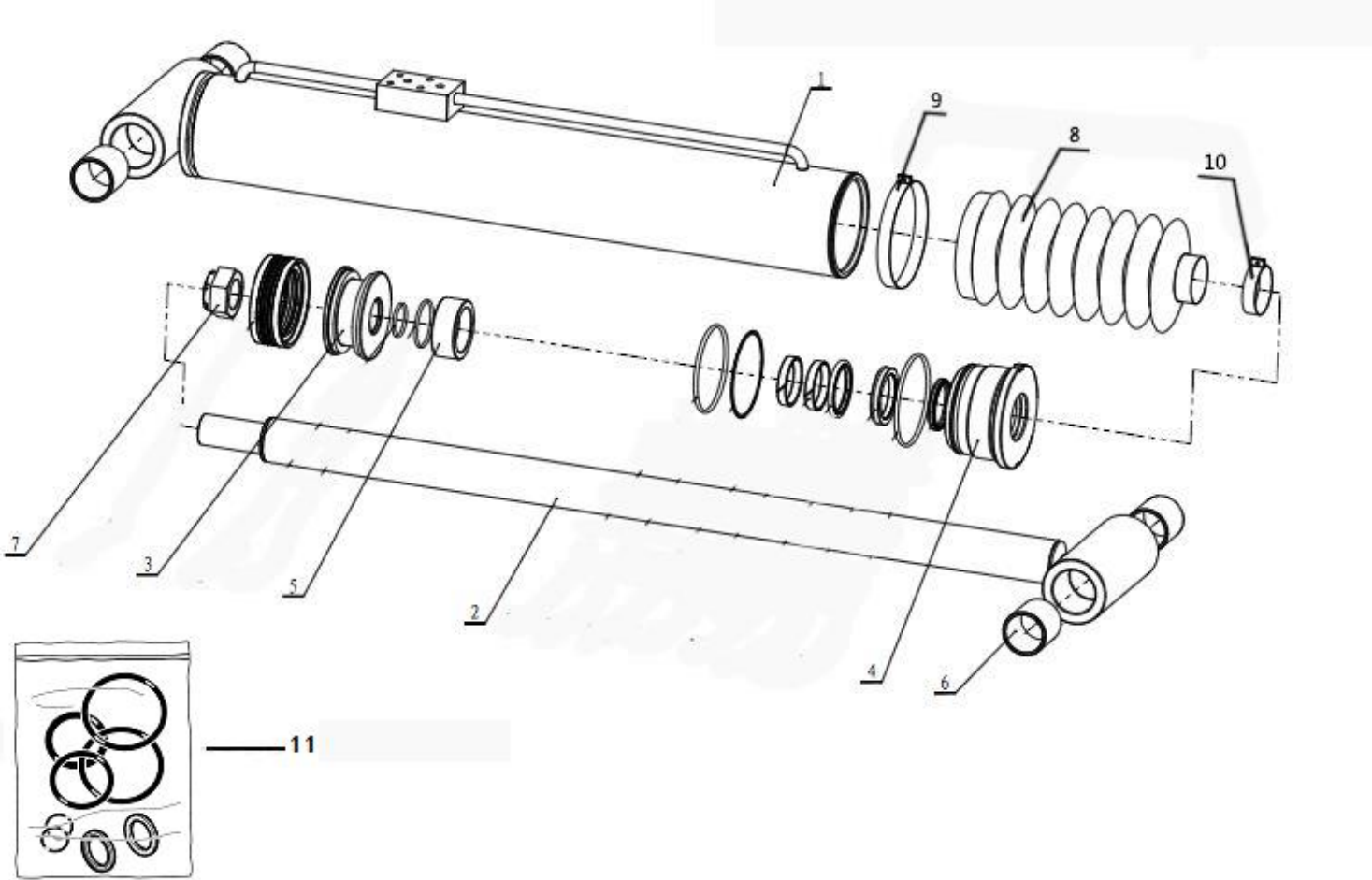


**Valve**



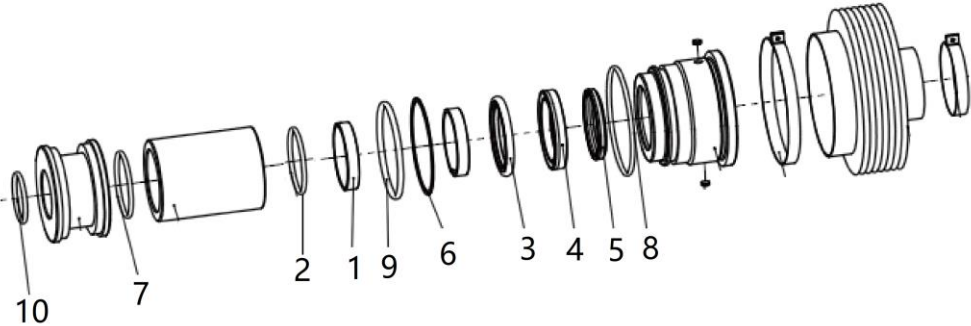


# Cylinder



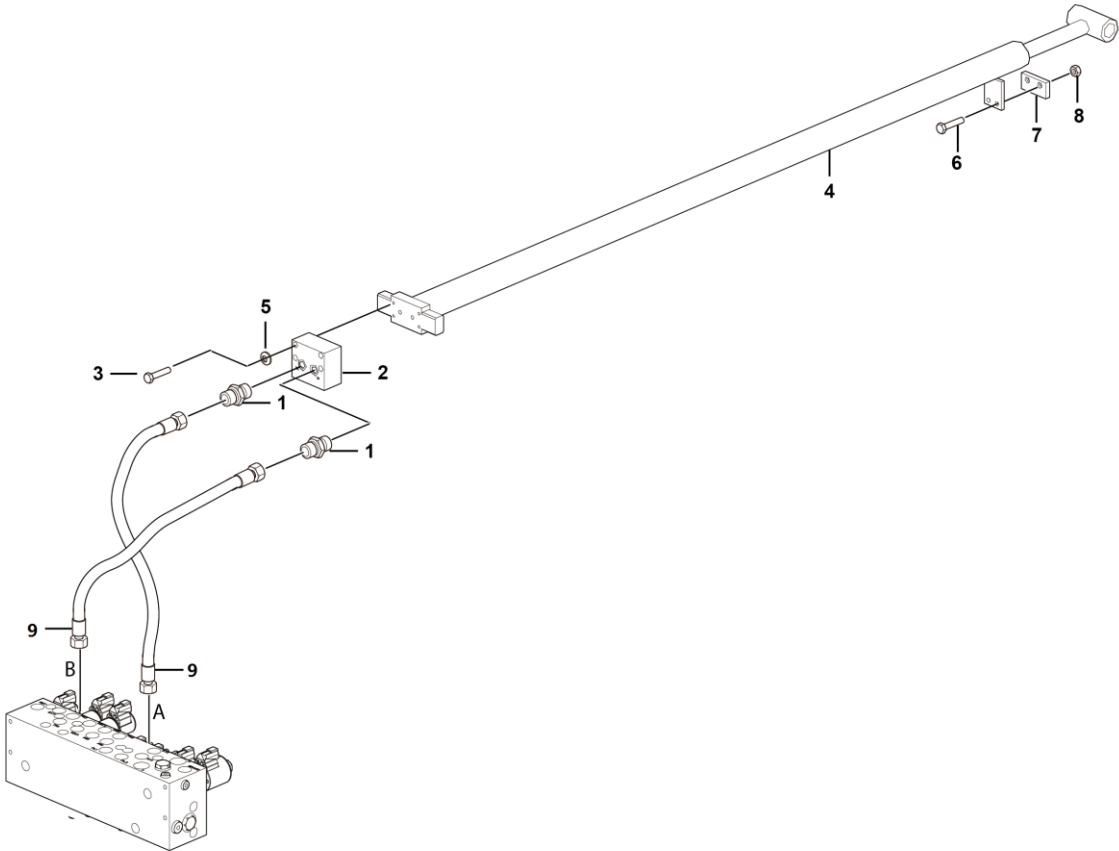


**Kit**



Key	Part No.	Description	Spare parts Y/N	Qty	Remarks
1	4120705967009	Shaft ring	Y	2	
2	4120705967010	Seal	Y	1	
3	4120705967011	Seal	Y	1	
4	4120704767008	Ring	N	1	
5	4120704767009	Ring	N	1	
6	4120705967012	Washer	Y	1	
7	4120705967013	O-ring	Y	1	
8	4120702862005	O-ring 280703a034	Y	1	
9	4120705967014	O-ring	Y	1	
10	4120703766011	O-ring	N	1	

# Telescope hydraulic assembly

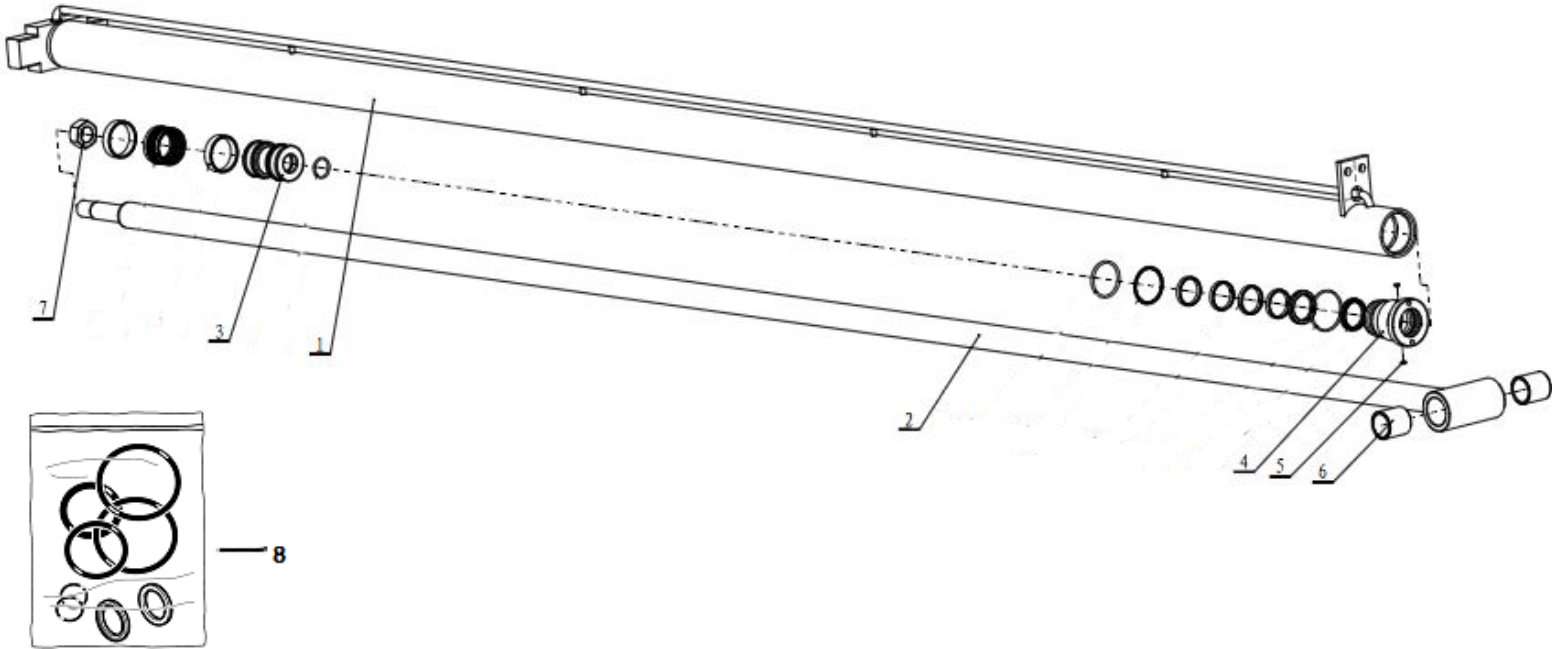


L2400-2508000607.S





Cylinder

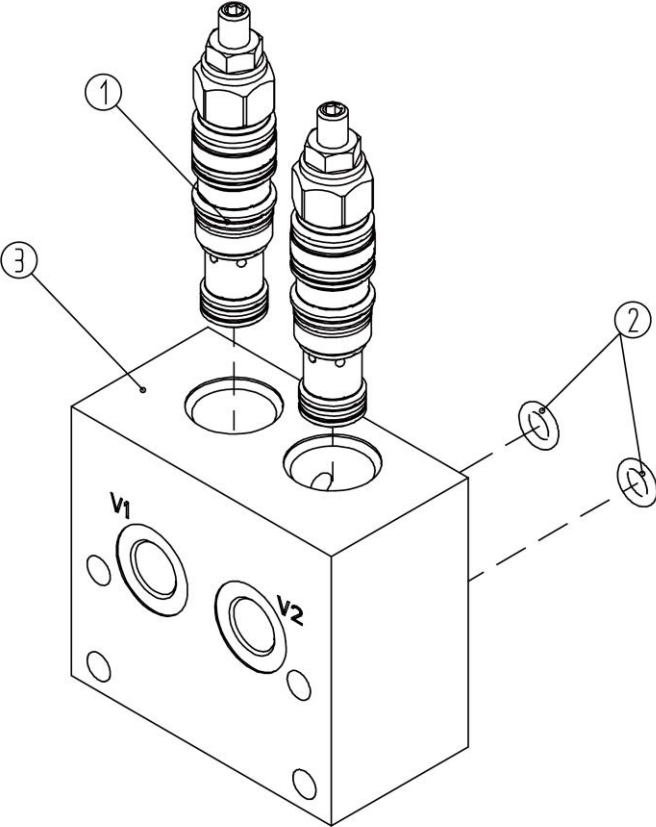






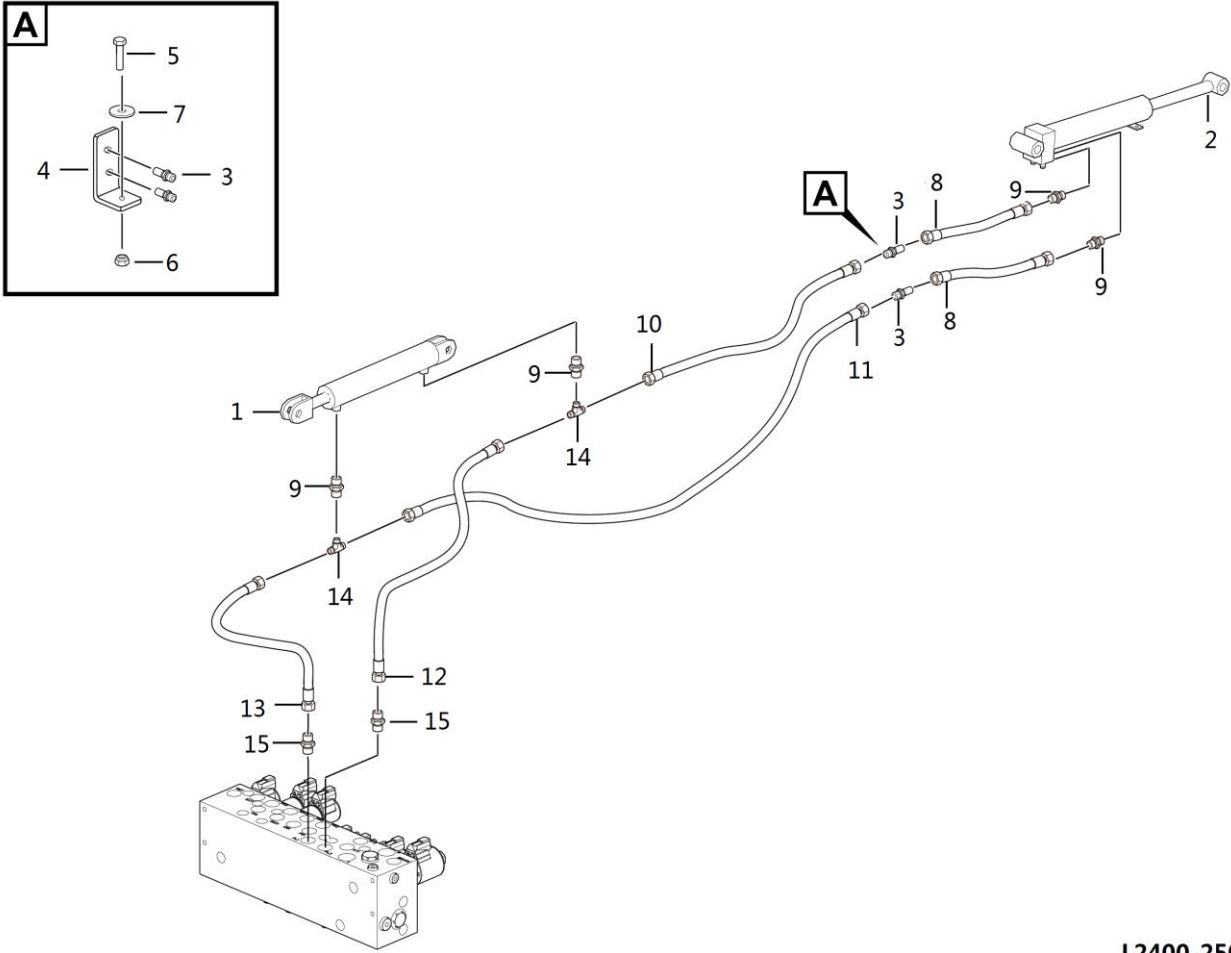


**Valve**





**Platform level hydraulic assembly**

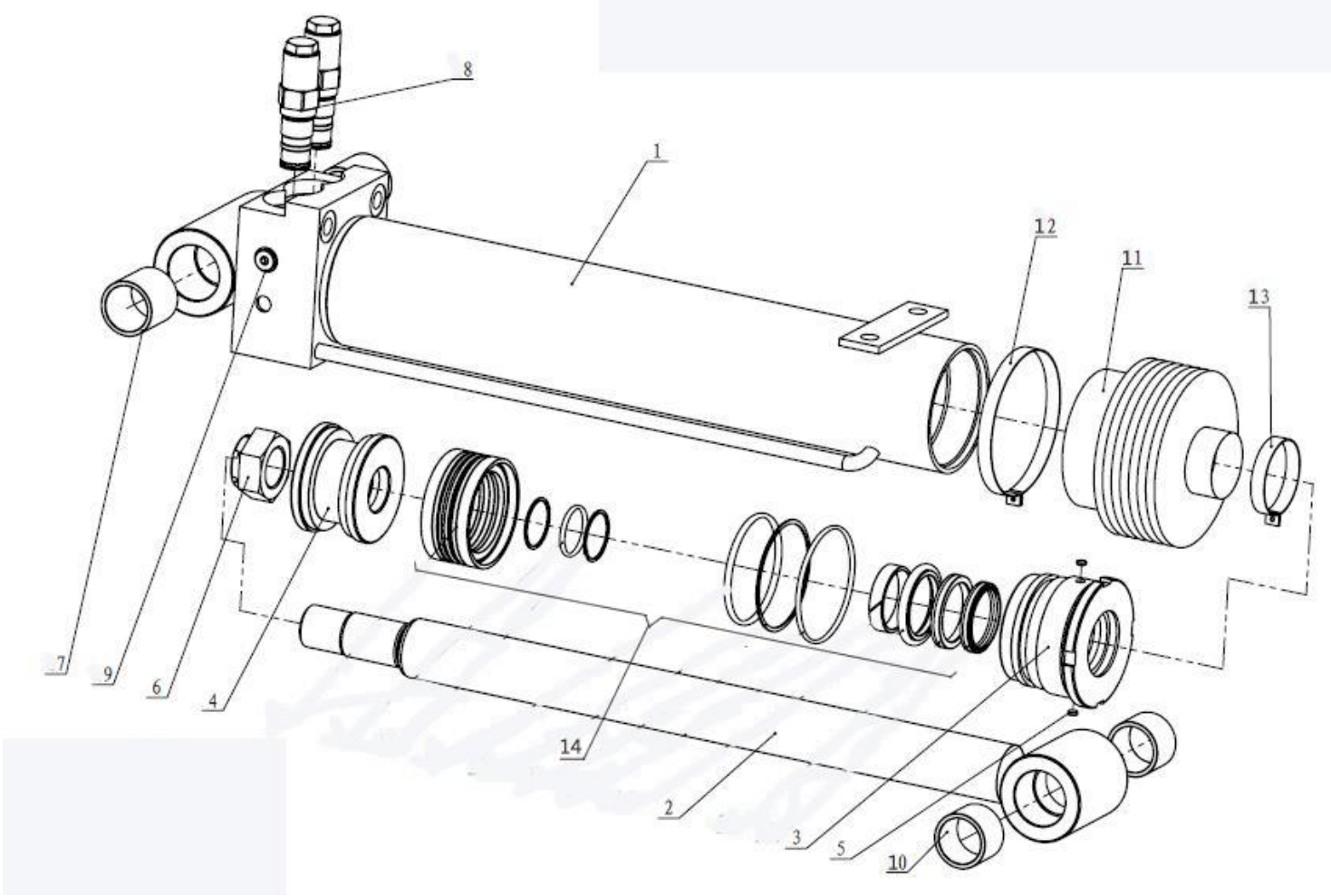


L2400-2508000611.S1a



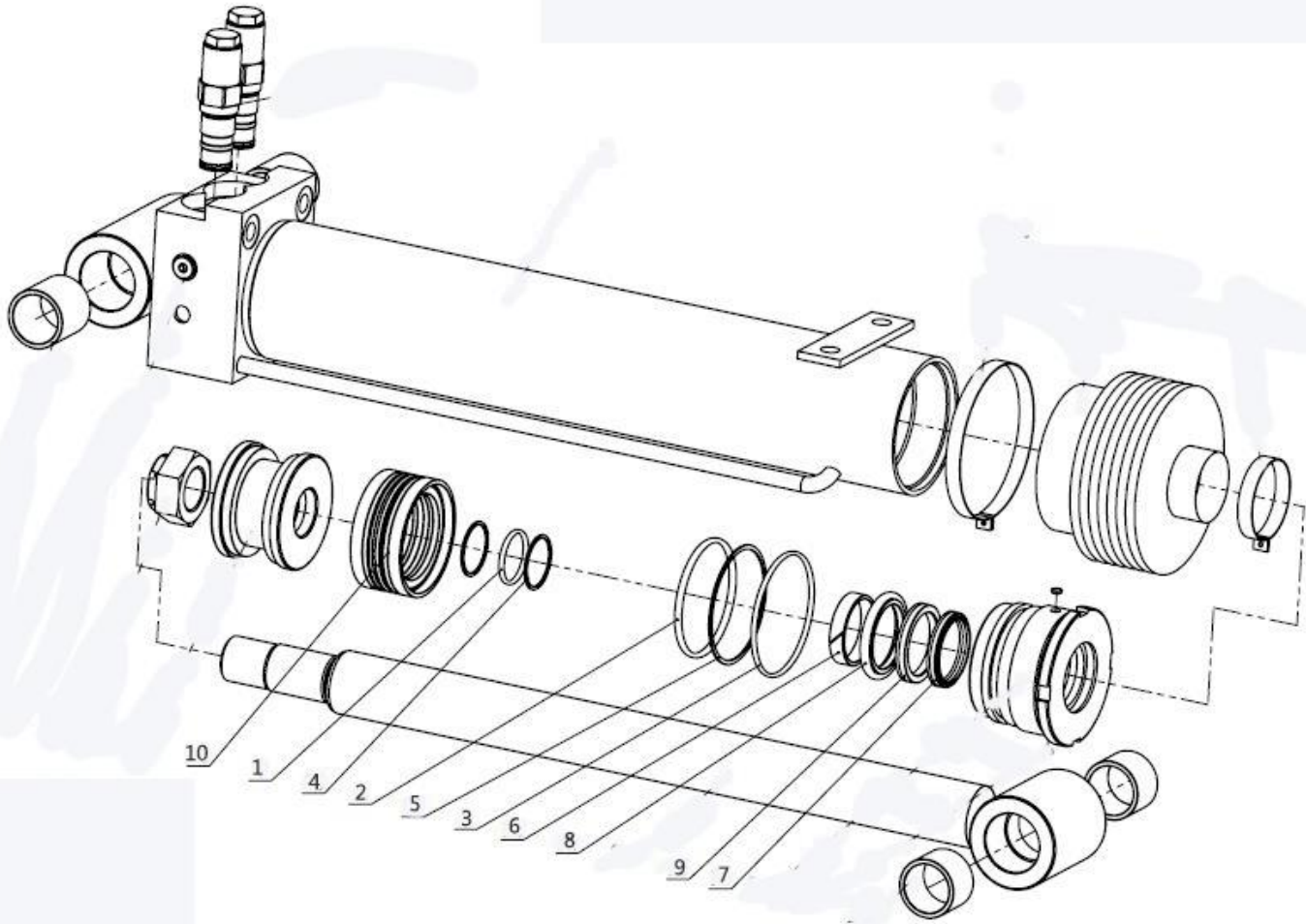
Key	Part No.	Description	Spare parts Y/N	Qty	Remarks
1	4120706074	Down level cylinder	Y	1	
2	4120704843	Upper leveling cylinder	Y	1	
3	4120001813	Bulkhead fitting 6c-14In	Y	2	
4	25080004662	Two-hole bracket plate, straight bulkhead fitting	Y	1	
5	4011010708	Bolt gb5783-m8*30flznyc-8.8-480	Y	1	
6	4013010297	Nut gb889.1-m8flznyc-8-480	Y	1	
7	4015010289	Washer gb96.1-8flznyc-480	Y	2	
8	4120706368	Hose	Y	2	
9	4120001368	Fitting, hydraulic 1cb-14-04wd	Y	4	
10	4120706803	Hose fc402caca080804-7300, main valve to upper leveling cylinder balance valve	Y	1	
11	4120705923	Hose fc402caca080804-7700, main valve to upper leveling cylinder balance valve	Y	1	
12	4120706369	Hose	Y	1	
13	4120706370	Hose	Y	1	
14	4190001003	Tee fitting bc-14	Y	2	
15	4120001495	Fitting, hydraulic 1cb-14-06wd	Y	2	

# Cylinder



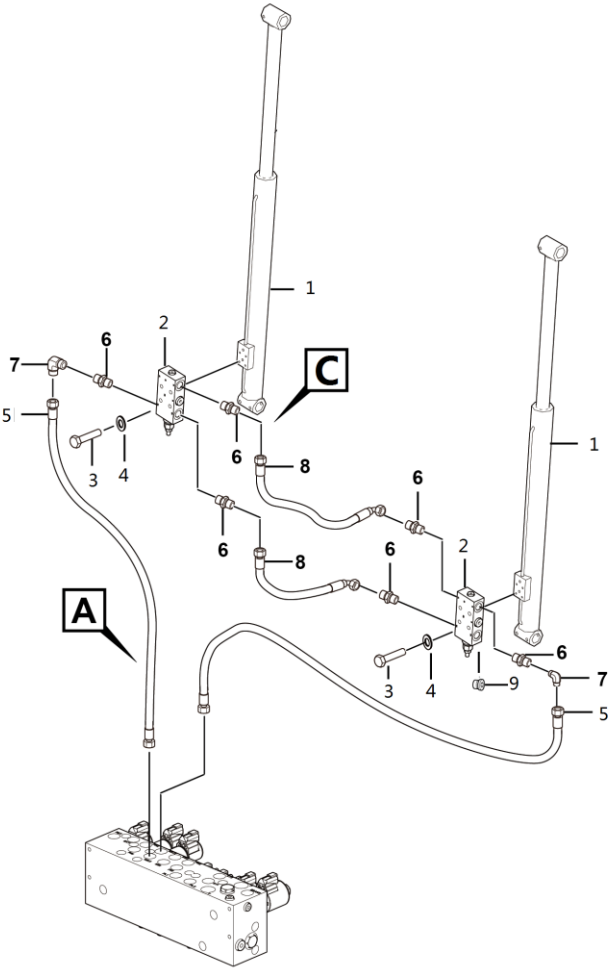
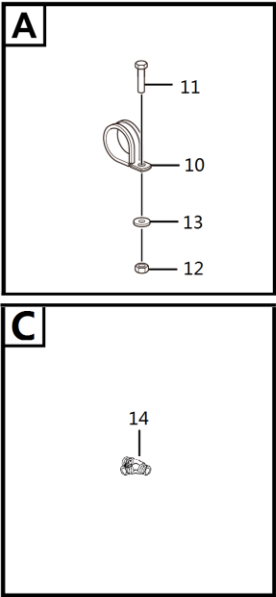
Key	Part No.	Description	Spare parts Y/N	Qty	Remarks
1	4120704843002	Cylinder barrel assembly 170250a304a	Y	1	
2	4120704843003	Piston rod assembly 170513a303	Y	1	
3	4120704843004	Guide sleeve 171413a305	Y	1	
4	4120704843005	Piston 171150a305	Y	1	
5	4120703766018	Locking tab 166301a100	Y	2	
6	4120703063003	Metal locknut 264767t001	Y	1	
7	4120705183007	Self-lubricating composite bearing 272199c052	Y	2	
8	4120704843006	Balance valve 302120d001x	Y	2	
9	4120704843007	Hexagon socket screw plug 310105d009	Y	2	
10	4120704843008	Self-lubricating composite bearing 272199c053	Y	2	
11	4120704843009	Dust cover 176450a200	Y	1	
12	4120704843010	Hose clamp 310726k001	Y	1	
13	4120704843011	Hose clamp 310727k002	Y	1	
14	4120704843001	Upper leveling cylinder seal kit	Y	1	

# Cylinder



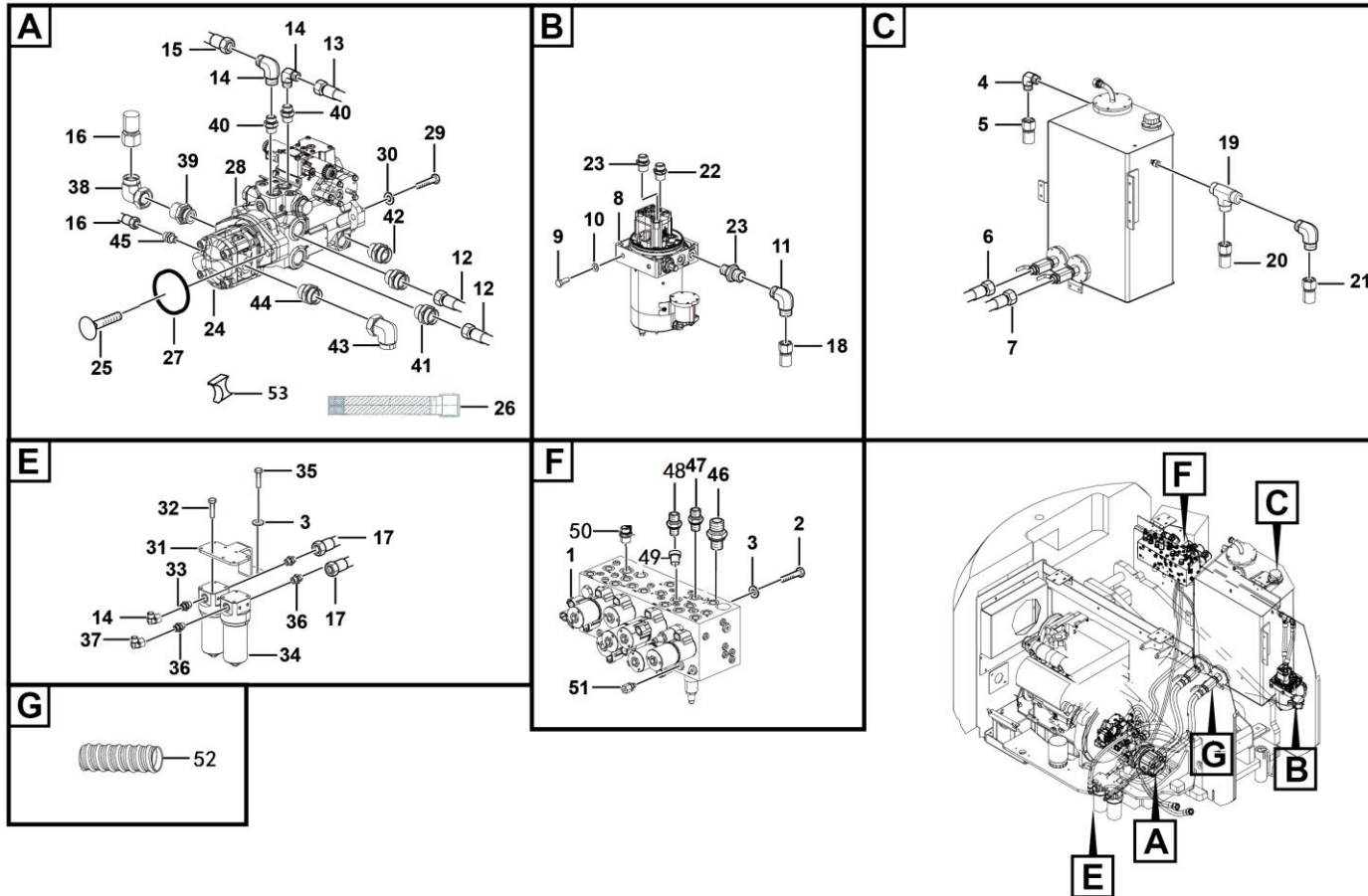


Lower lift hydraulic



Key	Part No.	Description	Spare parts Y/N	Qty	Remarks
1	4120001536	Cylinder	Y	2	
2	4120703873	Valve	Y	2	
3	4011010938	Bolt gb5783-m8*45flznyc-12.9-480	Y	8	
4	25080002881	M8 hard gasket,16*8.5*3	Y	8	
5	4120706372	Hose	Y	2	
6	4120001495	Fitting, hydraulic 1cb-14-06wd	Y	6	
7	4120000868	Right-angle fitting 2c9-14z	Y	2	
8	4120706371	Hose	Y	2	
9	4120001493	Plug 4bn-06wd	Y	4	
10	25080000571	Pipe clamp 15	Y	2	
11	4011010747	Bolt gb5783-m6*16flznyc-8.8-480	Y	2	
12	4013010293	Nut gb6170-m6flznyc-8-480	Y	2	
13	4015010284	Washer gb97.1-6flznyc-480	Y	2	
14	4190001020	Tee fitting cc-14	Y	2	

# Turntable hydraulic assembly

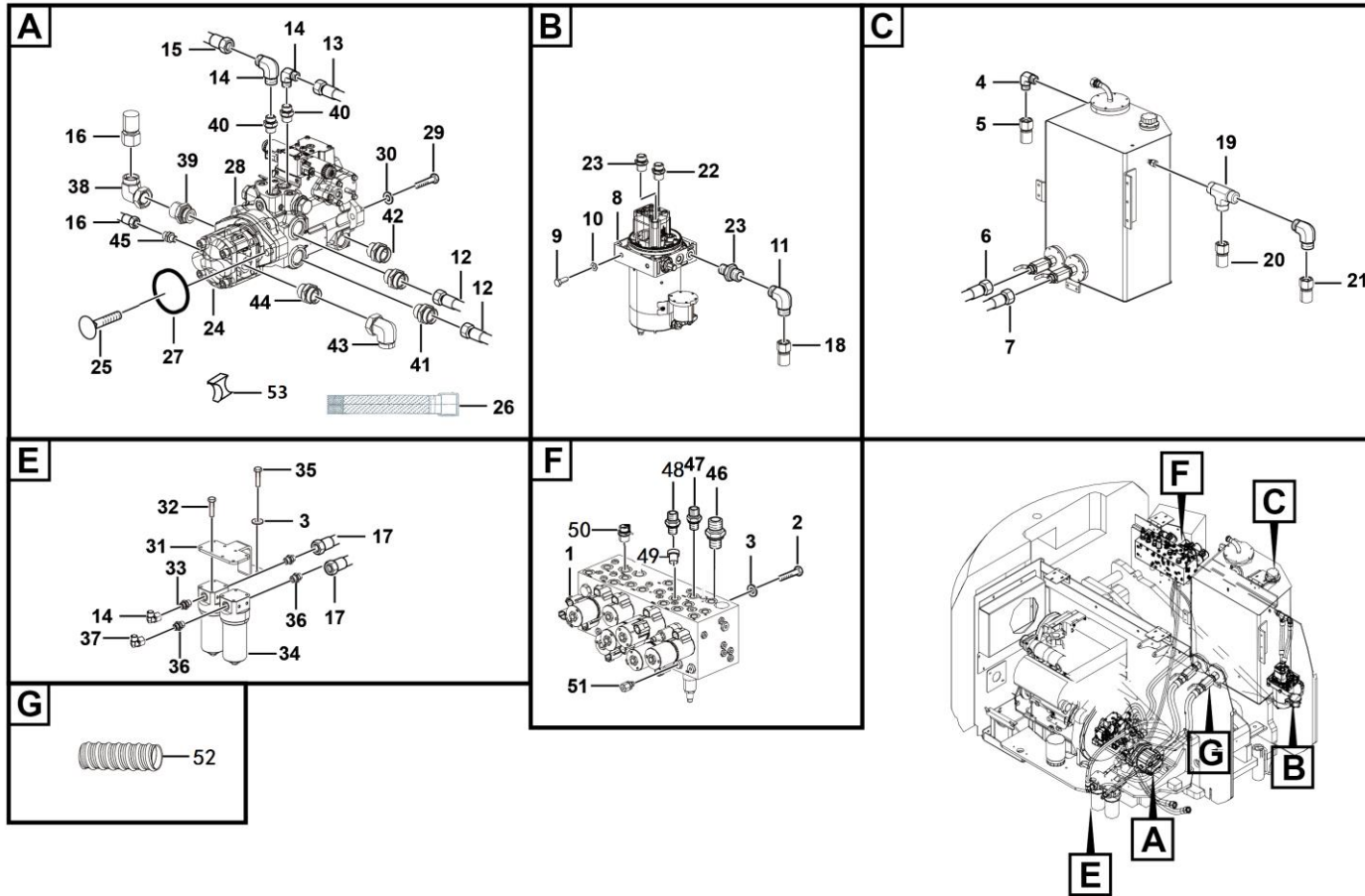


L2700-2509000105.S1D



Key	Part No.	Description	Spare parts Y/N	Qty	Remarks
1	4120706365	Manifold	Y	1	
2	4011010711	Bolt gb5783-m8*20flznyc-8.8-480	Y	4	
3	4015010280	Washer gb97.1-8flznyc-480	Y	6	
4	4129900392	Transition fitting 2c9-30z	Y	1	
5	4120706376	Hose	Y	1	
6	4120704137	Pipe20411-36-16*20441-36-16tz*osd150-16*1330	Y	1	
7	4120706347	Hose	Y	1	
8	4120705722	Power unit	Y	1	
9	4011010722	Bolt gb5783-m10*25flznyc-8.8-480	Y	2	
10	4015010339	Washer gb97.1-10flznyc-300hv-480	Y	2	
11	4120000868	Right-angle fitting 2c9-14z	Y	1	
12	4120706640	Hose	Y	2	
13	4120706301	Hose	Y	1	
14	4120000866	Right-angle joint2c9-22z	Y	4	
15	4120706302	Hose	Y	1	
16	4120706478	Hose	Y	1	
17	4120705312	Pipe	Y	1	
18	4120706304	Hose	Y	1	
19	4190001347	Tee fitting cc-22	Y	2	
20	4120706635	Hose	Y	1	
21	4120706378	Hose	Y	1	
22	4120005156	Straight fitting 1cb-22-06wd	Y	1	

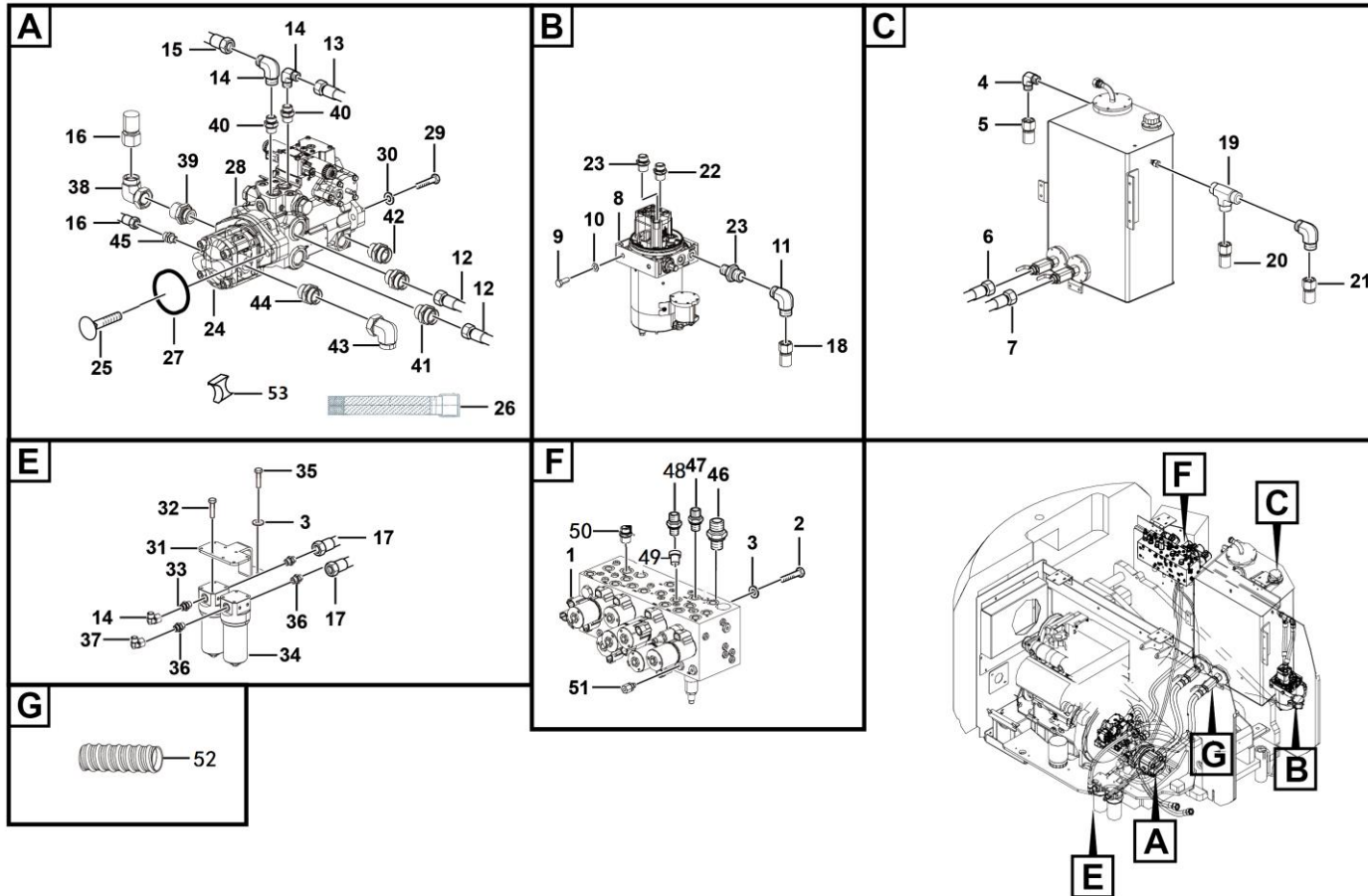
# Turntable hydraulic assembly



L2700-2509000105.S1D

Key	Part No.	Description	Spare parts Y/N	Qty	Remarks
23	4120001368	Fitting, hydraulic 1cb-14-04wd	Y	2	
24	4120706421	Gear pump	Y	1	
25	4014010064	Screw1/2-13unc-2a*30-10.9	Y	2	
26	4120706196	Tier	Y	1	
27	4120001880	O-ring 94.97*1.75	Y	1	
28	4120001425	Walking variable displacement pump	Y	1	
29	4014010344	Bolt gb70.1-m12*45flznyc-12.9-480	Y	2	
30	4015010340	Washer gb97.1-12flznyc-300hv-480	Y	2	
31	25090000121	Plate	Y	1	
32	4011010966	Bolt gb16674-m8*20flznyc-8.8-480	Y	8	
33	4120001498	Fitting 1cm-22wd	Y	2	
34	4120001428	High-pressure filter kglb-00800051	Y	2	
35	4011010708	Bolt gb5783-m8*30flznyc-8.8-480	Y	2	
36	4120001795	Straight fitting 1cm-18-22-wd	Y	2	
37	4190000996	Combination fitting 2c9-18	Y	1	
38	4120000869	Right-angle joint2c9-36z	Y	1	
39	4120001592	Fitting 1co-36-16	Y	1	
40	4120004894	Straight-through joint1co-22-10	Y	2	
41	4120001897	Straight-through joint1do-30-16	Y	2	
42	4120001801	Straight fitting 1co-30-12	Y	1	
43	4120002078	Right-angle fitting 2c9-26z	Y	1	
44	4120001768	Nipple 1cb-26-12wd	Y	1	

# Turntable hydraulic assembly

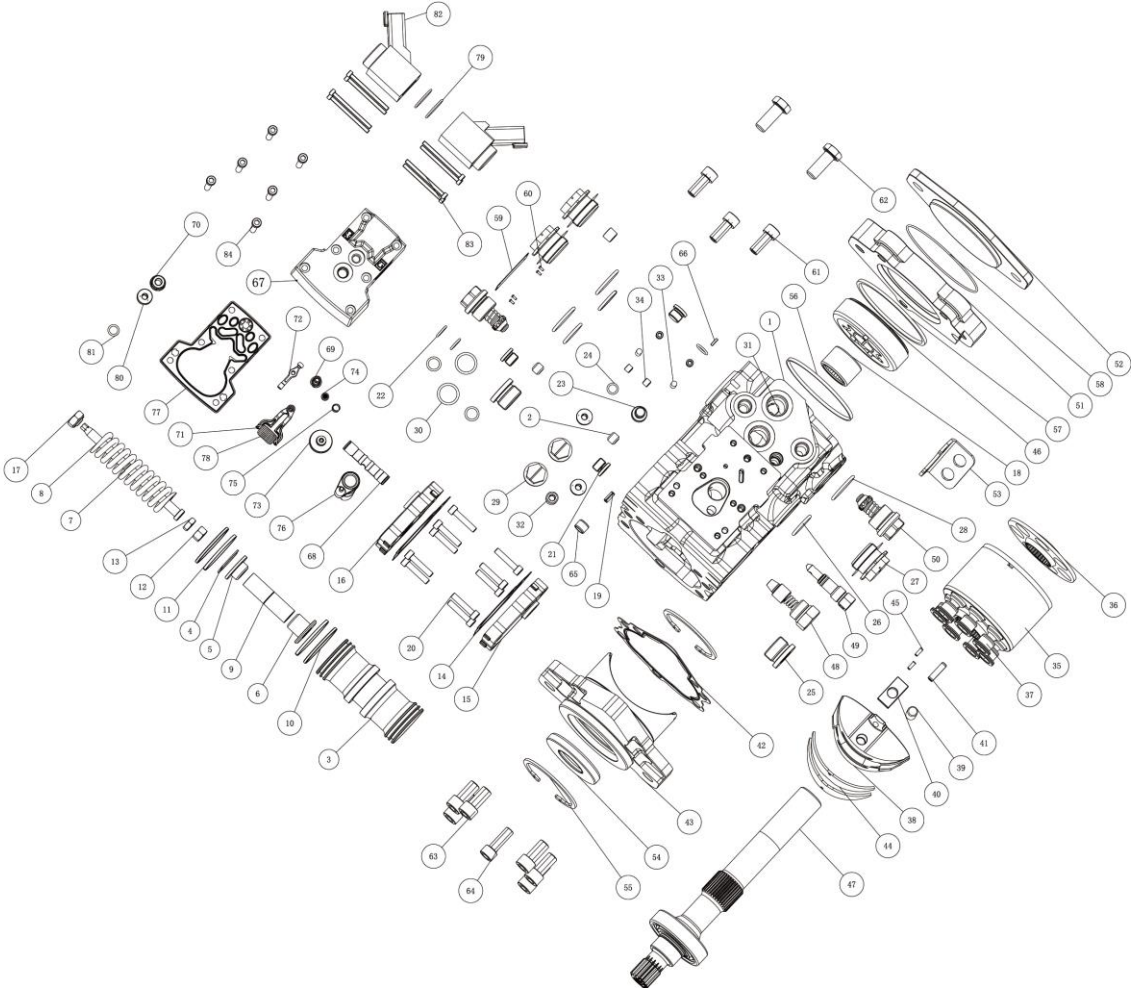


L2700-2509000105.S1D

Key	Part No.	Description	Spare parts Y/N	Qty	Remarks
45	4120001500	Fitting 1cb-18-08wd	Y	1	
46	4120707592	Valve	N	1	
47	4120706441	Filter joint	N	1	
48	25090000141	Straight fitting	Y	2	
49	4120703650	Damping1.6	Y	1	
50	4120001977	Pressure tap smk20-g1/4-pc	Y	1	
51	4120001371	Plug 4bn-08wd	Y	1	
52	4120001532	Hose sheath pg-062(300)	Y	6	
53	25070007501	Pipe clamp of walking variable displacement pump	Y	2	

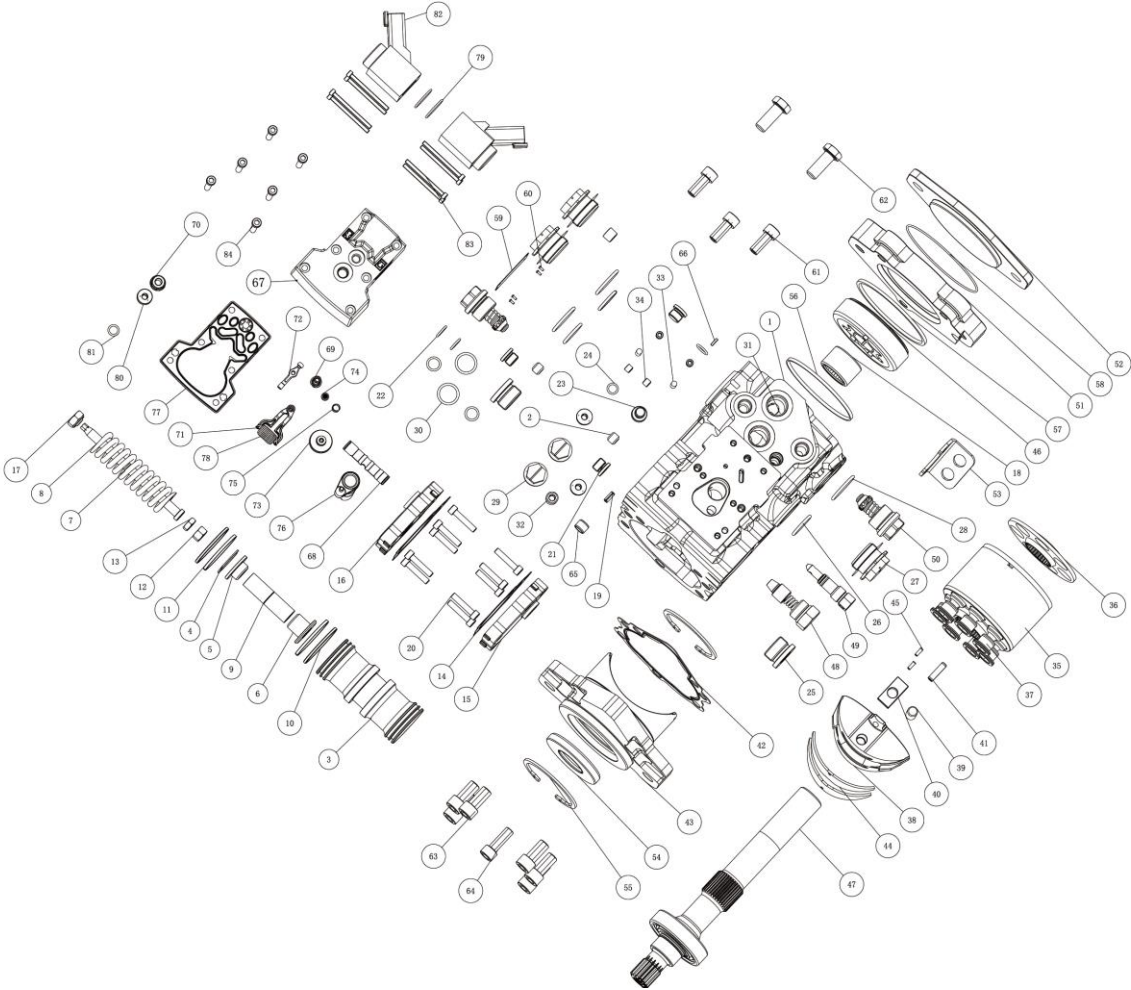


# Driver pump



Key	Part No.	Description	Spare parts Y/N	Qty	Remarks
1	4120001425067	Midbody	Y	1	
2	4120001425068	Plug	Y	2	
3	4120001425069	Piston	Y	1	
4	4120001425070	Gasket	Y	1	
5	4120001425071	Spring seat	Y	1	
6	4120001425072	Spring seat	Y	1	
7	4120001425073	Screw	Y	1	
8	4120001425074	Spring	Y	1	
9	4120001425075	Sleeve	Y	1	
10	4120001425076	Ring	Y	2	
11	4120001425077	Ring-backup	Y	2	
12	4120001425078	Nut	Y	1	
13	4120001425079	Nut	Y	1	
14	4120001425080	Gasket	Y	2	
15	4120001425081	Cover	Y	1	
16	4120001425082	Cover	Y	1	
17	4120001425083	Nut	Y	1	
18	4120001425084	Bearing	Y	1	
19	4120001425085	Pin	Y	1	
20	4120001425086	Screw	Y	10	
21	4120001425087	Plug	Y	5	
22	4120001425088	O-ring	Y	5	

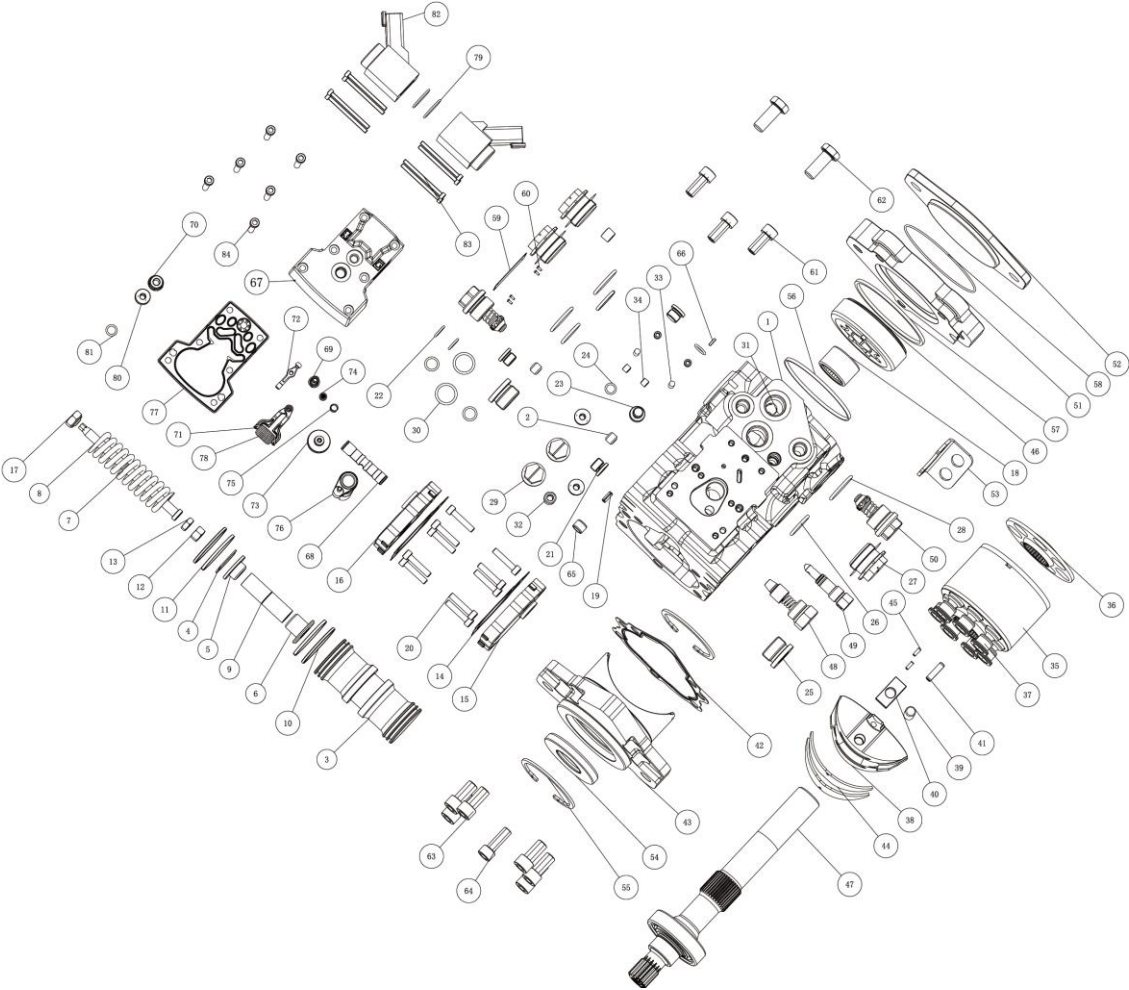
# Driver pump





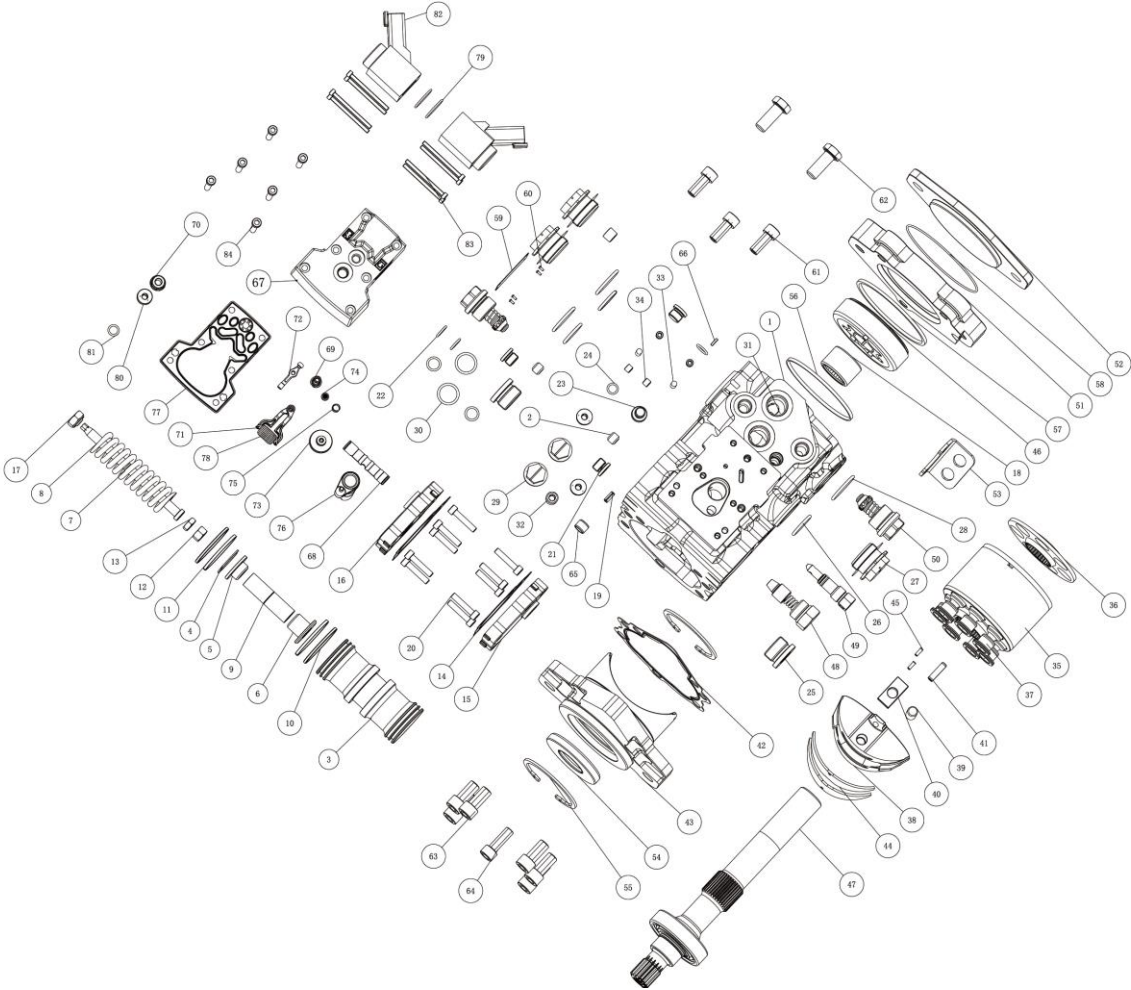
Key	Part No.	Description	Spare parts Y/N	Qty	Remarks
23	4120001425089	Plug	Y	1	
24	4120001425090	O-ring 03.02.01.00122	Y	1	
25	4120001425091	Plug	Y	2	
26	4120001425092	O-ring	Y	2	
27	4120001425093	Plug	Y	3	
28	4120001425094	O-ring	Y	3	
29	4120001425095	Plug	Y	2	
30	4120001425096	O-ring	Y	2	
31	4120001425097	Plug	Y	1	
32	4120001425098	Plug	Y	2	
33	4120001425099	Pin	Y	2	
34	4120001425100	Plug	Y	6	
35	4120001425101	Assembly	Y	1	
36	4120001425102	Assembly	Y	1	
37	4120001425103	Plunger shoe assembly	Y	7	
38	4120001425104	Plate	Y	1	
39	4120001425105	Pin	Y	1	
40	4120001425106	Block	Y	1	
41	4120001425107	Pin	Y	1	
42	4120001425108	Gasket	Y	1	
43	4120001425109	Cover	Y	1	
44	4120001425110	Sleeve	Y	2	

# Driver pump



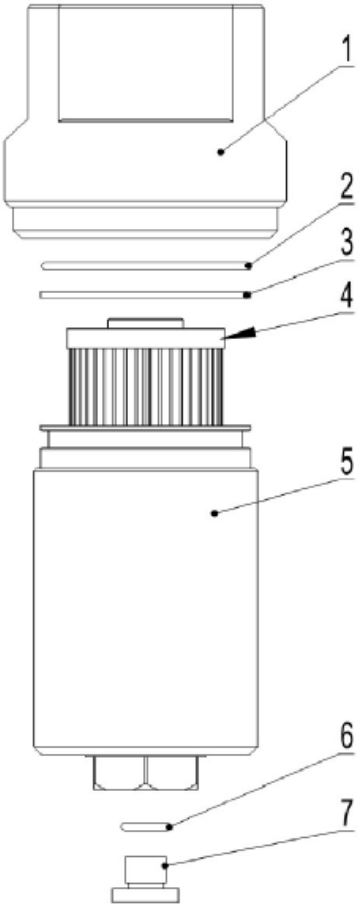
Key	Part No.	Description	Spare parts Y/N	Qty	Remarks
45	4120001425111	Pin	Y	2	
46	4120001425112	Charge pump	N	1	
47	4120001425113	Main shaft assembly	Y	1	
48	4120001425114	Valve	Y	1	
49	4120001425115	Valve	Y	1	
50	4120001425116	Valve	Y	2	
51	4120001425117	Plate	Y	1	
52	4120001425118	Cover	Y	1	
53	4120001425119	Plate	Y	1	
54	4120001425120	Sealing ring	Y	1	
55	4120001425121	Gasket	Y	2	
56	4120001425122	Ring	Y	1	
57	4120001425123	Ring	Y	1	
58	4120001425124	O-ring	Y	1	
59	4120001425125	Sign	Y	1	
60	4120001425126	Screw	Y	4	
61	4120001425127	Screw	Y	3	
62	4120001425128	Screw	Y	2	
63	4120001425129	Screw	Y	6	
64	4120001425130	Screw	Y	1	
65	4120001425131	Pin	Y	1	
66	4120001425132	Half round key	Y	1	

**Driver pump**



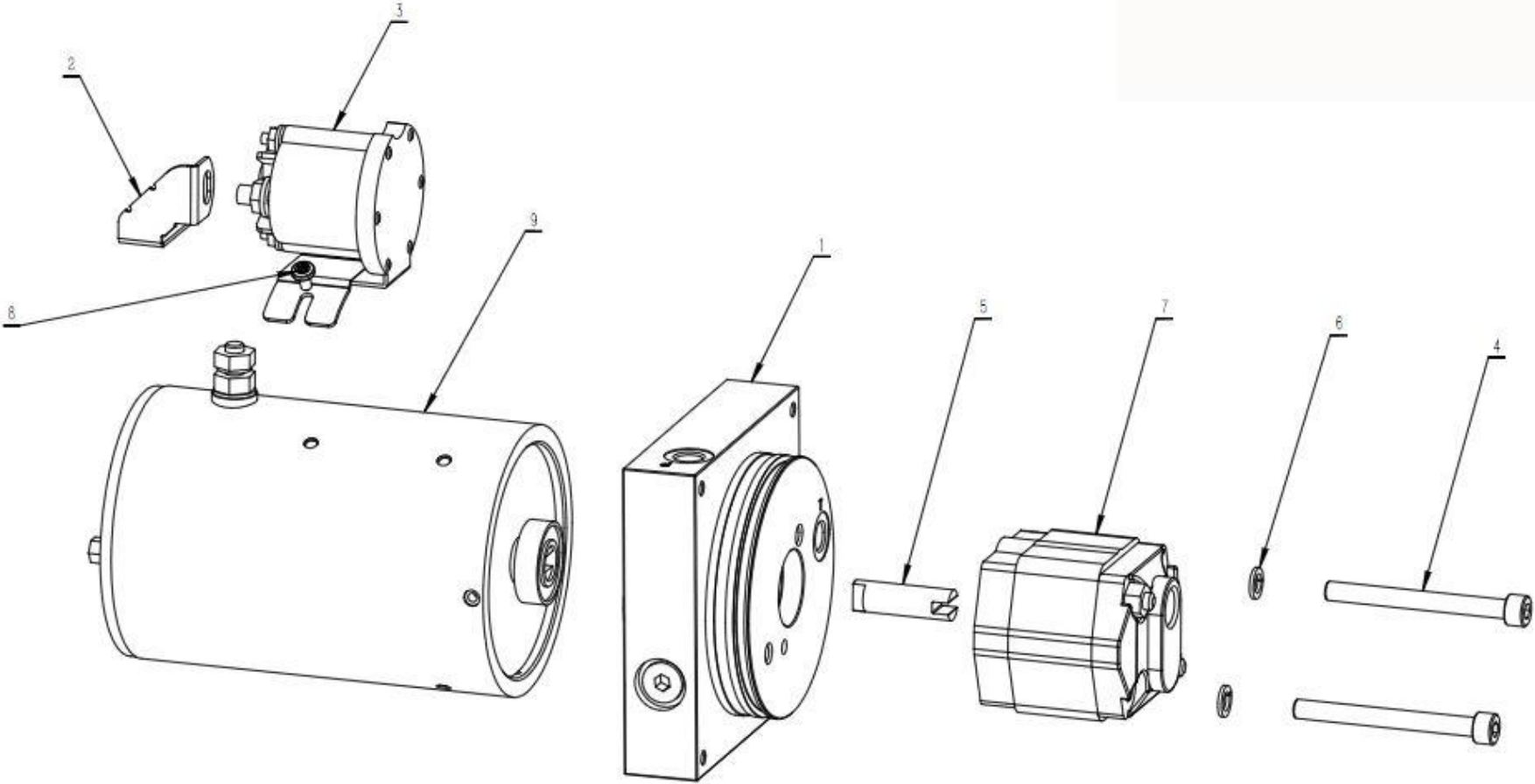
Key	Part No.	Description	Spare parts Y/N	Qty	Remarks
67	4120001425133	Valve body	Y	1	
68	4120001425134	Valve	Y	1	
69	4120001425135	Adjusting lever	Y	1	
70	4120001425136	Nut	Y	1	
71	4120001425137	Tie rod	Y	2	
72	4120001425138	Link	Y	1	
73	4120001425139	Adjusting rod seat	Y	1	
74	4120001425140	Plug	Y	1	
75	4120001425141	Gasket	Y	1	
76	4120001425142	Feedback lever	Y	1	
77	4120001425143	Gasket	Y	1	
78	4120001425144	Tension spring	Y	1	
79	4120001425145	O-ring	Y	2	
80	4120001425146	Plug	Y	1	
81	4120001425147	O-ring	Y	1	
82	4120001425148	Electromagnet	Y	2	
83	4120001425149	Screw	Y	8	
84	4120001425150	Screw	Y	6	

**High-pressure filter kglb-0080005I**





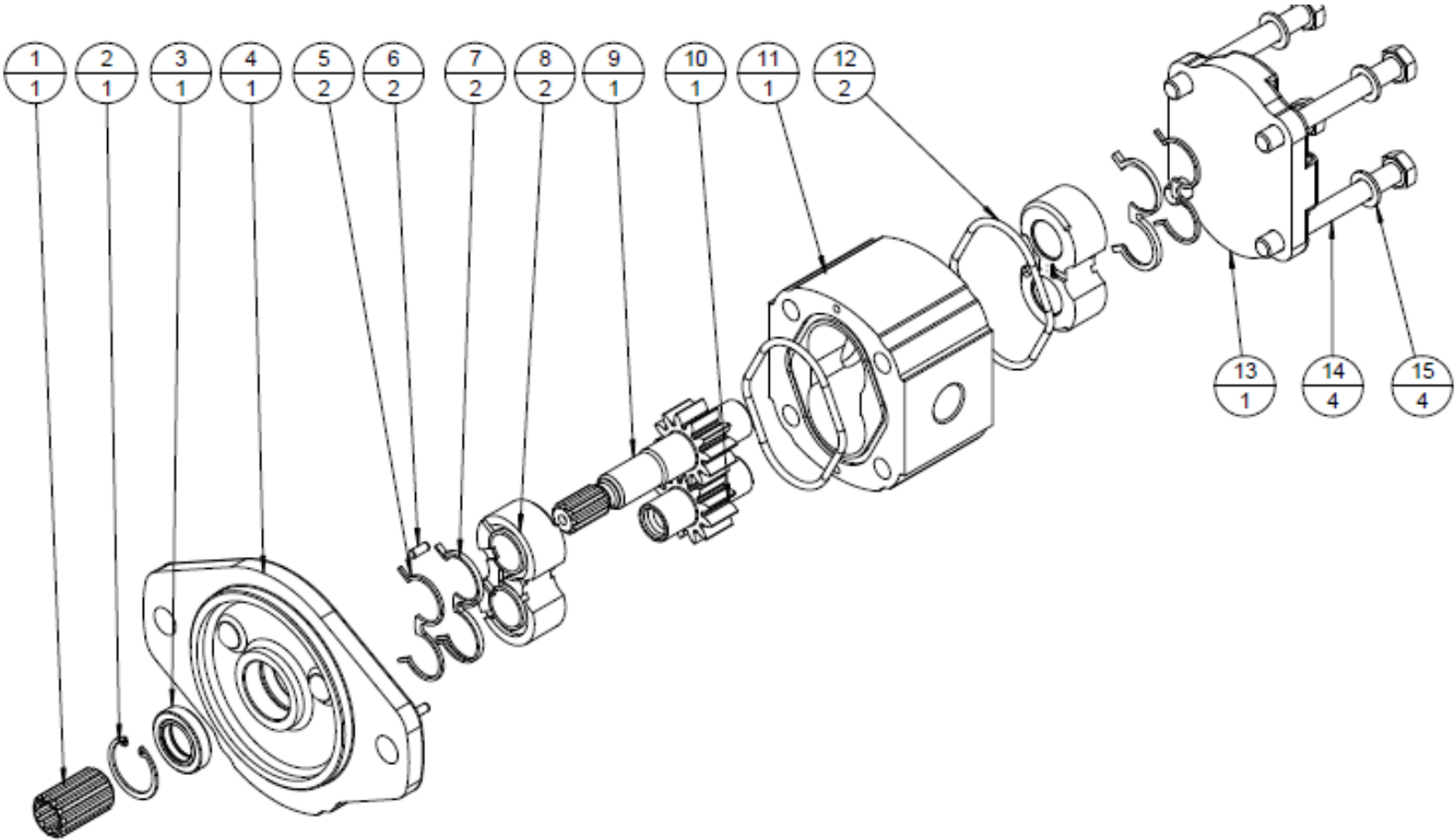
**Power unit**







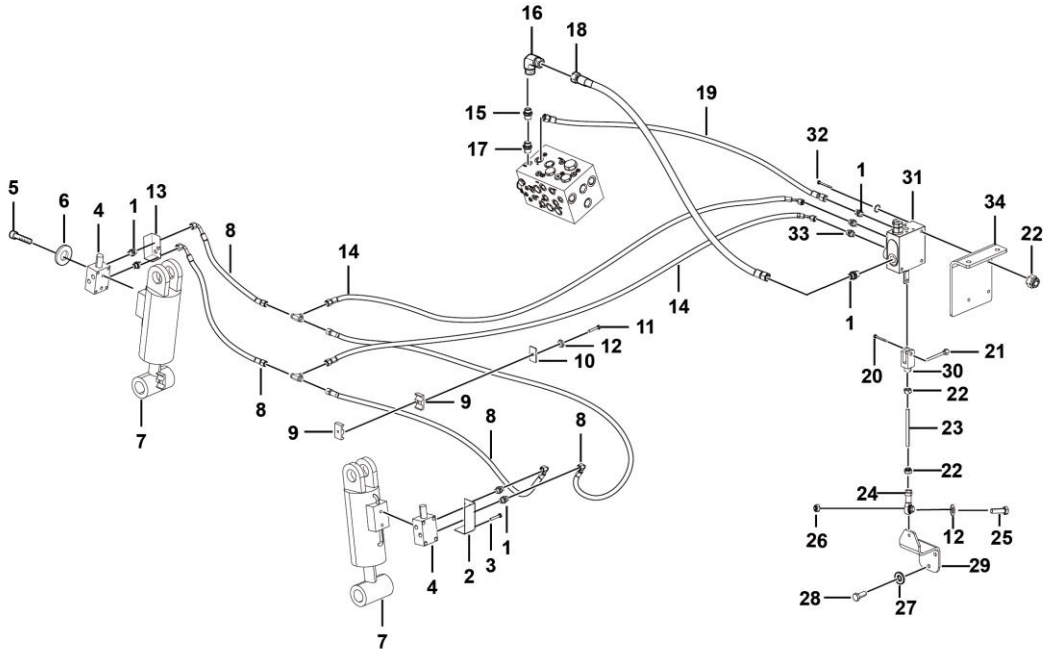
**Pump**



Key	Part No.	Description	Spare parts Y/N	Qty	Remarks
1	4120706421001	Multiple spline	Y	1	
2	4120706421002	Ring	Y	1	
3	4120706421003	Seal	Y	1	
4	4120706421004	Front cover	Y	1	
5	4120706421005	Ring	Y	2	
6	4120706421006	Pin	Y	2	
7	4120706421007	Seal	Y	2	
8	4120706421008	Sleeve	Y	2	
9	4120706421009	Gear	Y	1	
10	4120706421010	Gear	Y	1	
11	4120706421011	Intermediate	Y	1	
12	4120706421012	O-ring	Y	2	
13	4120706421013	Cover	Y	1	
14	4120706421014	Bolt	Y	4	
15	4120706421015	Washer	Y	4	



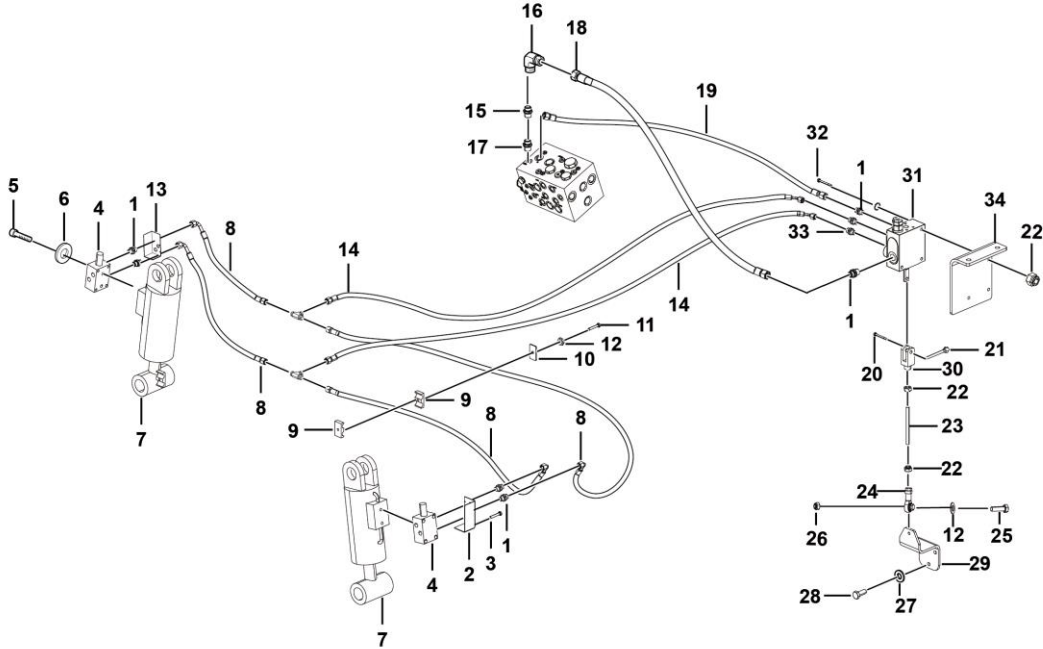
# Oscillating hydraulic assembly



L2600-2511000069.S1a

Key	Part No.	Description	Spare parts Y/N	Qty	Remarks
1	4120001495	Fitting, hydraulic 1cb-14-06wd	Y	7	
2	25110000802	Plate	Y	1	
3	4011010964	Bolt gb16674-m8*16flznyc-8.8-480	Y	4	
4	4120705600	Oscillation balance valve	Y	2	
5	4014010230	Bolt gb5782-m8*60flznyc-12.9-480	Y	8	
6	25080002881	M8 hard gasket,16*8.5*3	Y	8	
7	4120705267	Oscillation cylinder 88.9*96-380	Y	2	
8	4120706592	Hose f481cacf080804-800h55, right front motor to tee fitting	Y	4	
9	4120001947	Pipe clamp ttpg-212.7	Y	2	
10	25110000471	Clamp pressure plate, front axle motor hose	Y	2	
11	4011011076	Nut gb5782-m6*40flznyc-8.8-480	Y	2	
12	4015010284	Washer gb97.1-6flznyc-480	Y	4	
13	25110000792	Plate	Y	1	
14	4120706364	Hose f481cace080804-2150,driving control valve to oscillation valve	Y	2	
15	25120000141	Straight fitting	Y	1	
16	4120000868	Right-angle fitting 2c9-14z	Y	1	
17	4120706124	Damping hole 0.8	Y	1	
18	4120706363	Hose f481caca080804-755, oscillation valve to tee fitting	Y	1	
19	4120704903	Hose f481cace151508-800, driving control valve to oscillation valve	Y	1	
20	4016000157	Pin gb882-b6*27epzn-35	Y	1	
21	4016000107	Cotter pin gb91-1.6*16epzn-q235a	Y	1	
22	4013010300	Nut gb889.1-m6flznyc-8-480	Y	5	

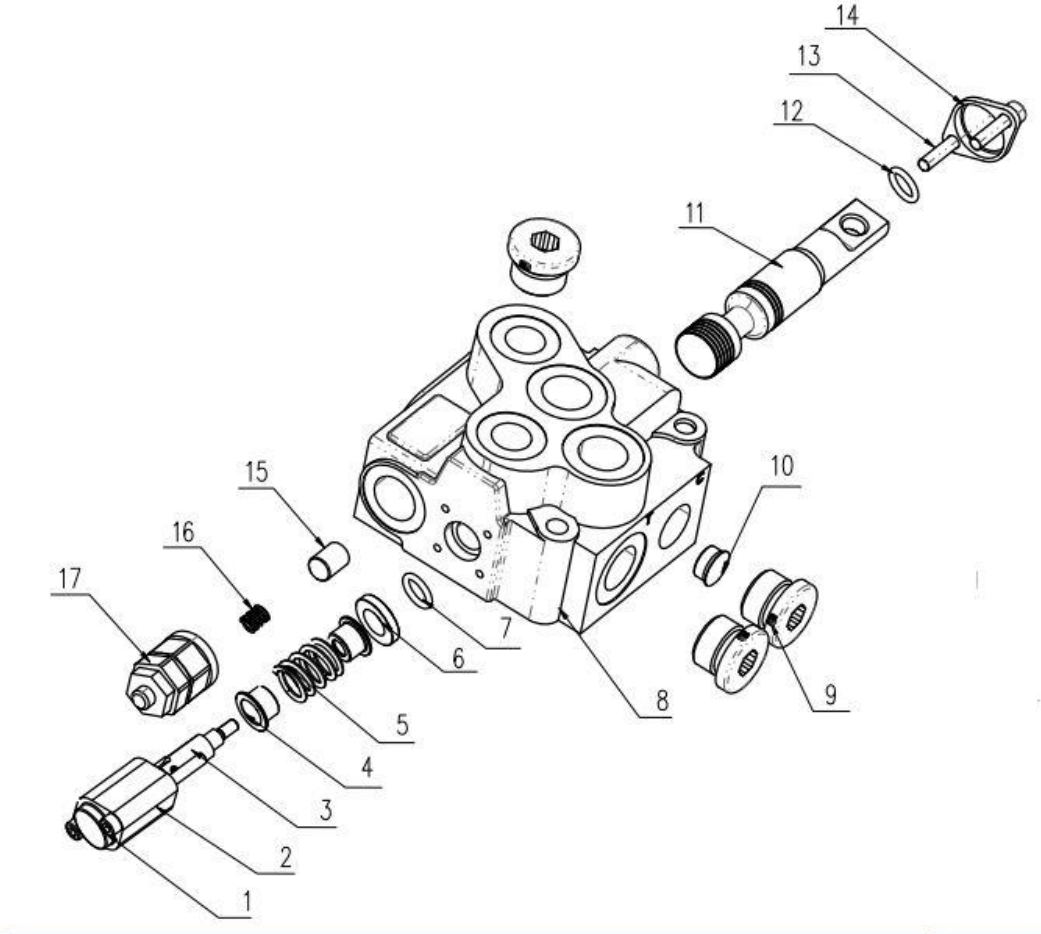
# Oscillating hydraulic assembly



L2600-2511000069.S1a

Key	Part No.	Description	Spare parts Y/N	Qty	Remarks
23	25110000451	Screw rod, oscillation valve	Y	1	
24	4021010059	Self-lubricating rod end joint bearing sib6c	Y	1	
25	4011010717	Bolt gb5783-m6*30flznyc-8.8-480	Y	1	
26	4013010299	Nut gb889.1-m6flznyc-8	Y	1	
27	4015010280	Washer gb97.1-8flznyc-480	Y	7	
28	4011010966	Bolt gb16674-m8*20flznyc-8.8-480	Y	3	
29	25110000421	Forming (stamping, etc.), mounting plate, axle to screw rod	Y	1	
30	25110000391	Connection fork, oscillation valve to screw rod	Y	1	
31	4120703386	Oscillation balance dcv20/1-0145	Y	1	
32	4011010999	Bolt gb5782-m6*60flznyc-8.8-480	Y	3	
33	4120005156	Straight fitting 1cb-22-06wd	Y	1	
34	25110000301	Forming (stamping, etc.), oscillation valve mounting plate	Y	1	

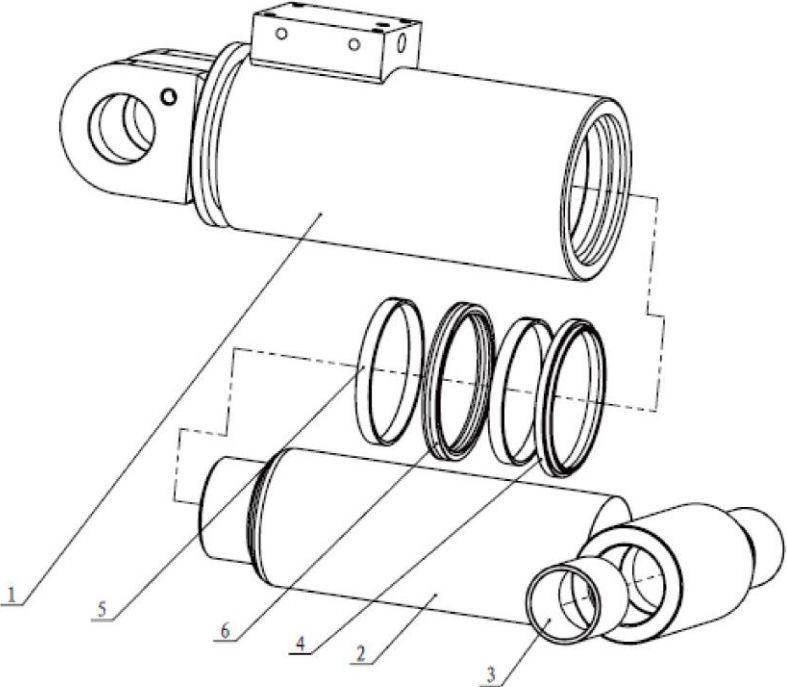
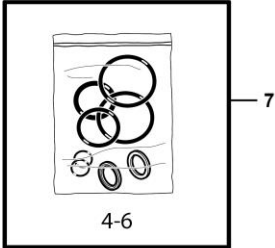
**Valve**





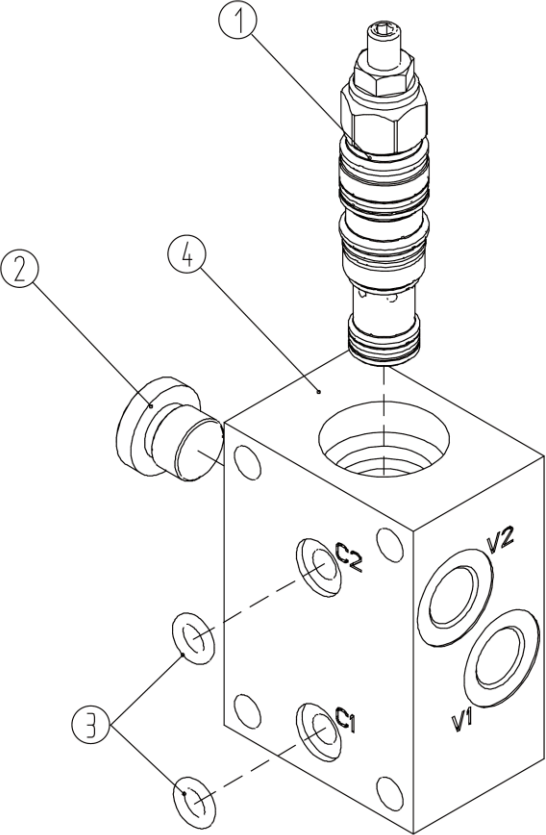
Key	Part No.	Description	Spare parts Y/N	Qty	Remarks
1	4120001446001	Bolt	Y	2	
2	4120001446002	Rear cover aa000292	Y	1	
3	4120001446003	Bolt	Y	1	
4	4120001446004	Spring seat aa000169	Y	2	
5	4120001446005	Return spring tr000010	Y	1	
6	4120001446006	Dust ring sd000000	Y	1	
7	4120001446007	Seal ring sr000011	Y	2	
8	4120001446008	Valve h000084	Y	1	
9	4120001446009	Plug cp000077	Y	3	
10	4120001446010	U2 plug cp000023	Y	1	
11	4120001446011	Spool fs001869	Y	1	
12	4120001446012	Seal ring sr000011	Y	1	
13	4120001446013	Bolt	Y	2	
14	4120001446014	Pressure plate sa000425	Y	1	
15	4120001446015	Check valve aa000160	N	1	
16	4120001446016	Spring tr000040	N	1	
17	4120001446017	Valve fl003556	N	1	

# Cylinder



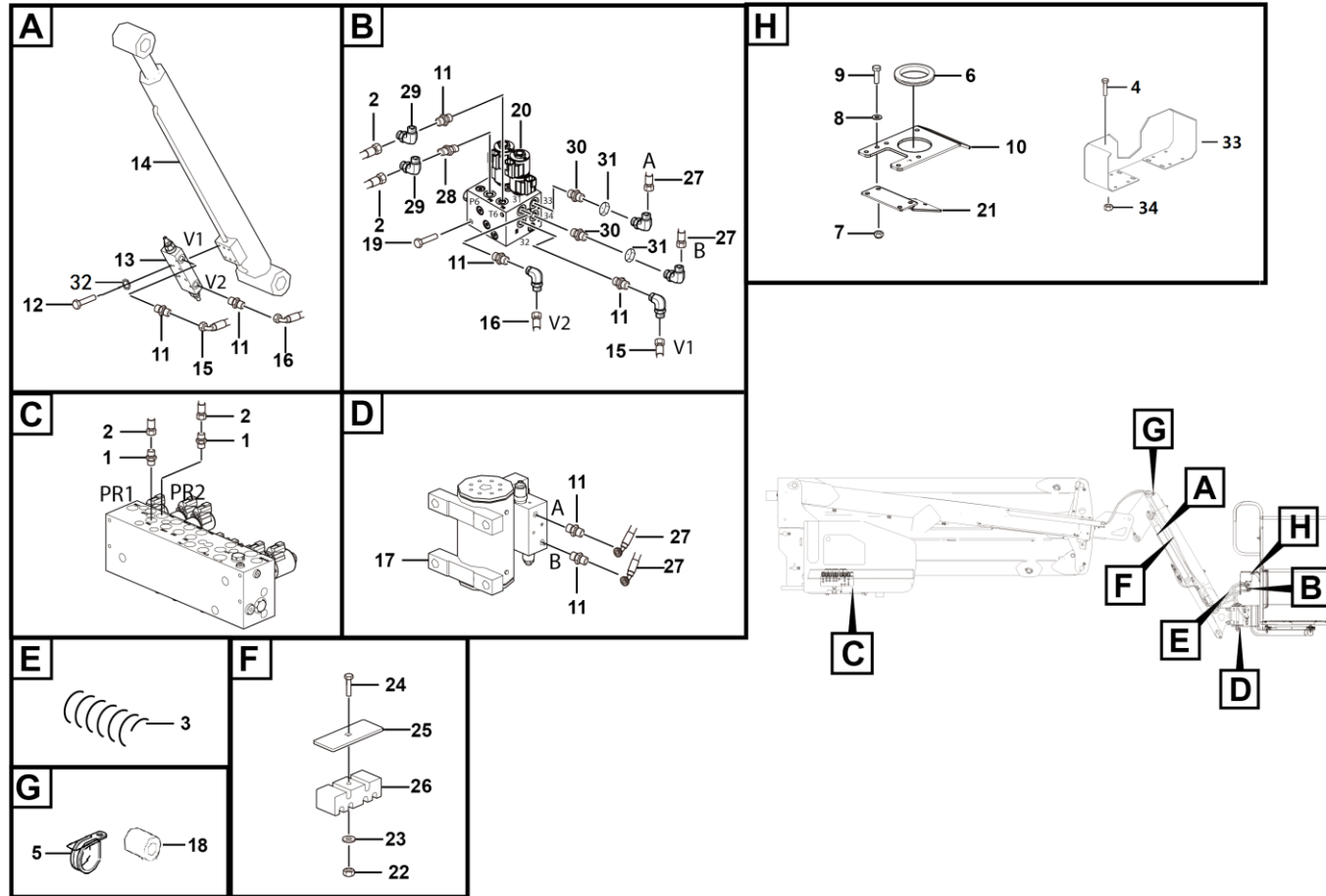


**Valve**





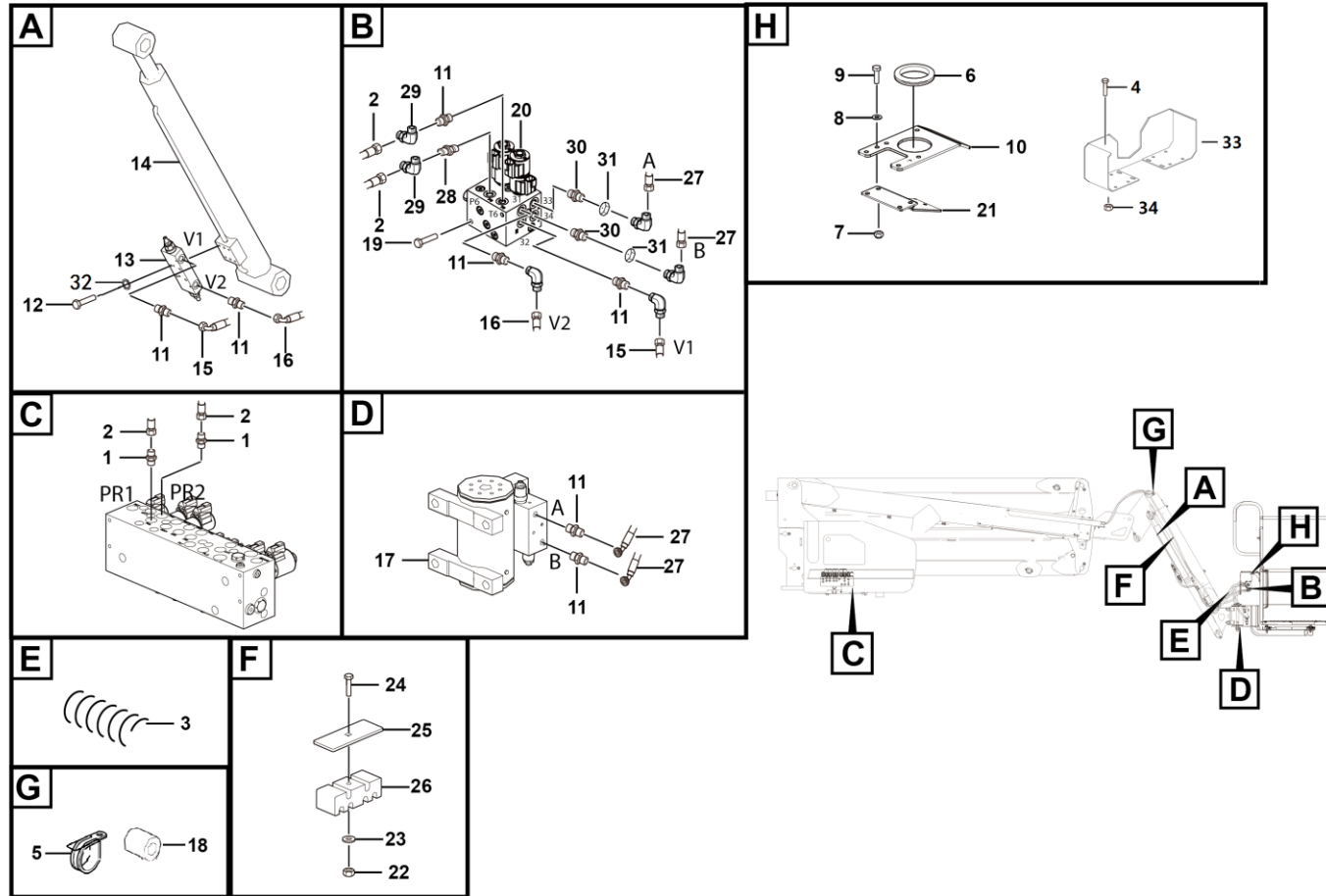
Hydraulic assembly



L2700-2512000021.S1D1

Key	Part No.	Description	Spare parts Y/N	Qty	Remarks
1	4120001495	Fitting, hydraulic 1cb-14-06wd	Y	2	
2	4120704809	Pipe	Y	2	
3	4120001532	Hose sheath pg-062(300)	Y	4	
4	4011010711	Bolt gb5783-m8*20flznyc-8.8-480	Y	1	
5	25120001961	Plate	Y	2	
6	25160000621	Rubber gromet,88*5	Y	1	
7	4013010292	Nut gb6185-m10flznyc-8.8-480	Y	4	
8	4015010339	Washer gb97.1-10flznyc-300hv-480	Y	8	
9	4011010727	Bolt gb5783-m10*35flznyc-8.8-480	Y	4	
10	25210023892	Forming (stamping, etc.), cable transit	N	1	
11	4120001368	Fitting, hydraulic 1cb-14-04wd	Y	7	
12	4011010990	Bolt gb5783-m6*35flznyc-10.9-480	Y	3	
13	4120703556	Counterbalance valve	Y	1	
14	4120705183	Jib cylinder 55*35*436-789	Y	1	
15	4120002224	Pipe	Y	1	
16	4120002223	Pipe	Y	1	
17	4120706343	Rotator	Y	1	
18	25080001001	Spacer ring, 25*15	Y	2	
19	4011010970	Bolt gb5783-m8*16flznyc-8.8-480	Y	3	
20	4120706643	Manifold	Y	1	
21	25210023881	Plate	Y	1	
22	4013010291	Nut gb6170-m8flznyc-8-480	Y	2	

# Hydraulic assembly

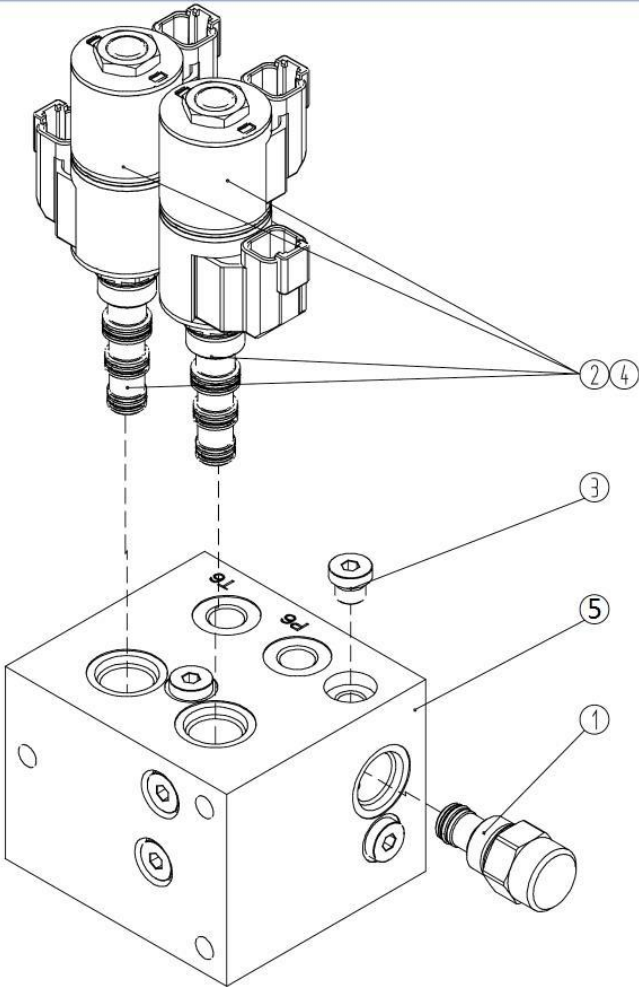


L2700-2512000021.S1D1



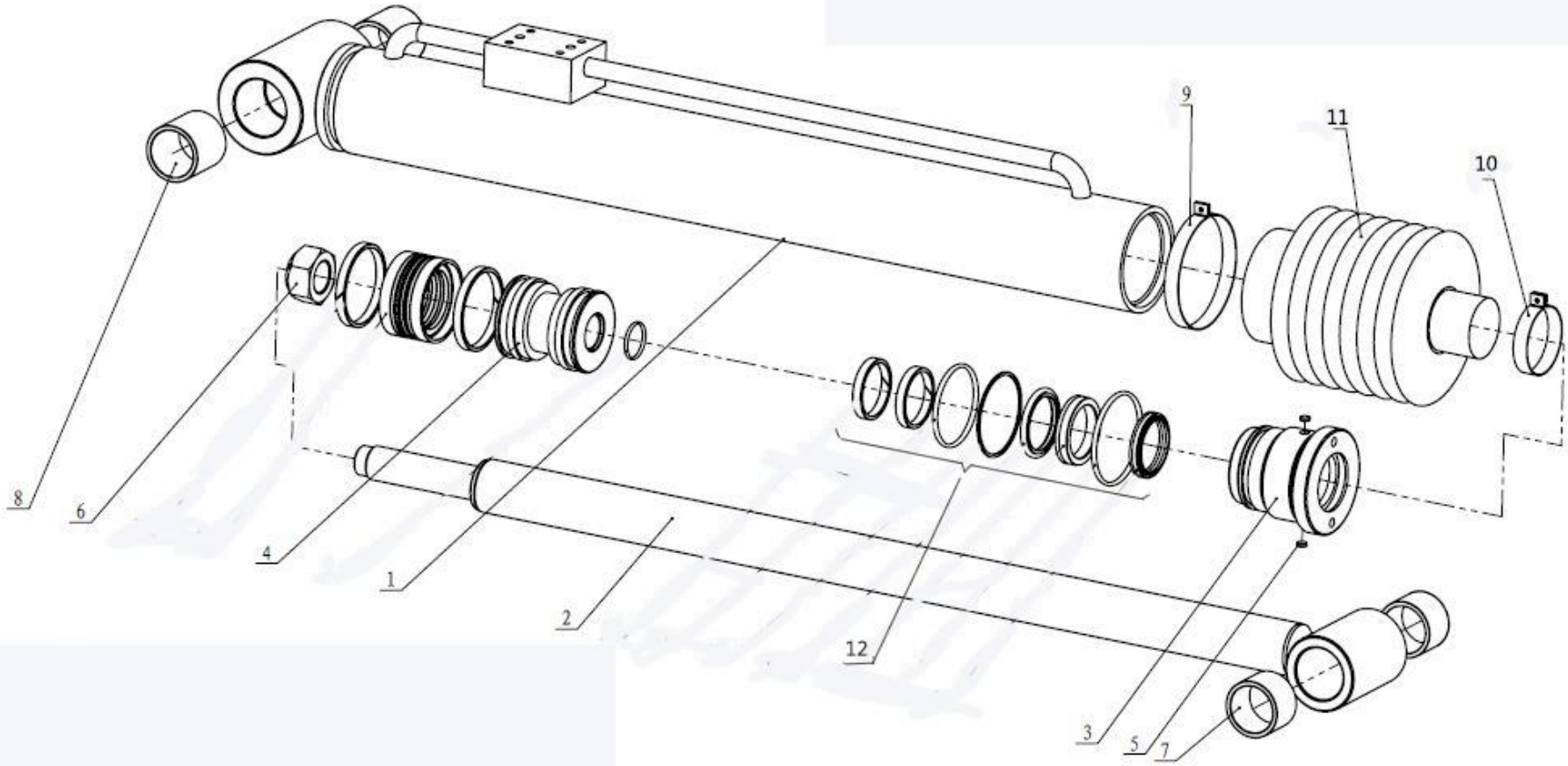
Key	Part No.	Description	Spare parts Y/N	Qty	Remarks
23	4015010280	Washer gb97.1-8flznyc-480	Y	2	
24	4011010989	Bolt gb5782-m8*60flznyc-8.8-480	Y	2	
25	25120000061	Fly jib pipe clamp pressure plate, for fixing flying jib pipe clamp	Y	2	
26	25120000571	Fly jib pipe clamp	Y	2	
27	4120706860	Hose fc402cacf080804-840	Y	2	
28	4120704778	Joint	Y	1	
29	4120000868	Right-angle fitting 2c9-14z	Y	2	
30	25120000141	Straight fitting	Y	2	
31	4120703558	Damping hole 0.4	Y	2	
32	25110000571	M6 hard gasket, 12*6.5*2	Y	3	
33	25120001581	Cover	Y	1	
34	4013010383	Reed nut qc339-m8flznyc-8-480	Y	1	

**Manifold**



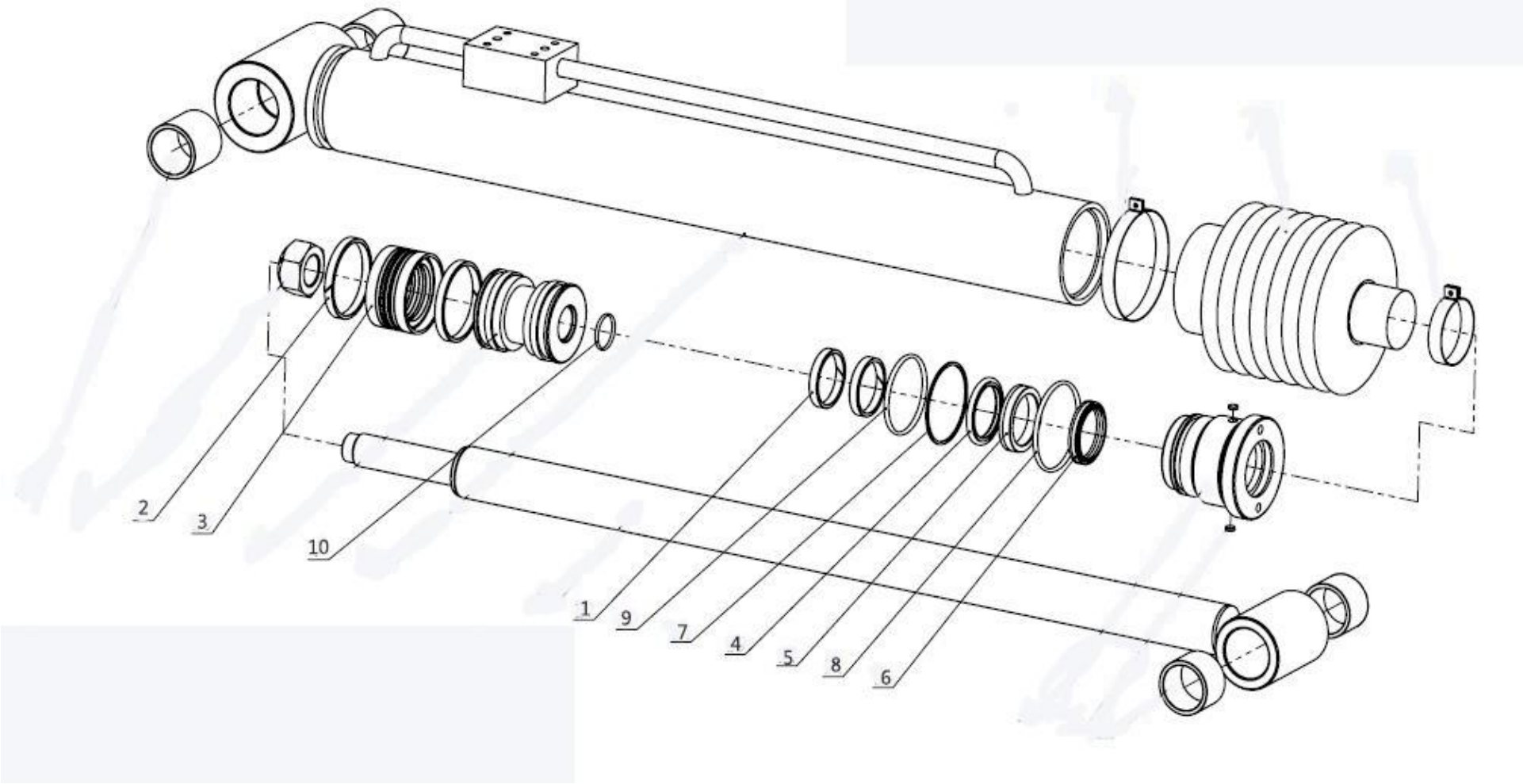


# Jib boom cylinder



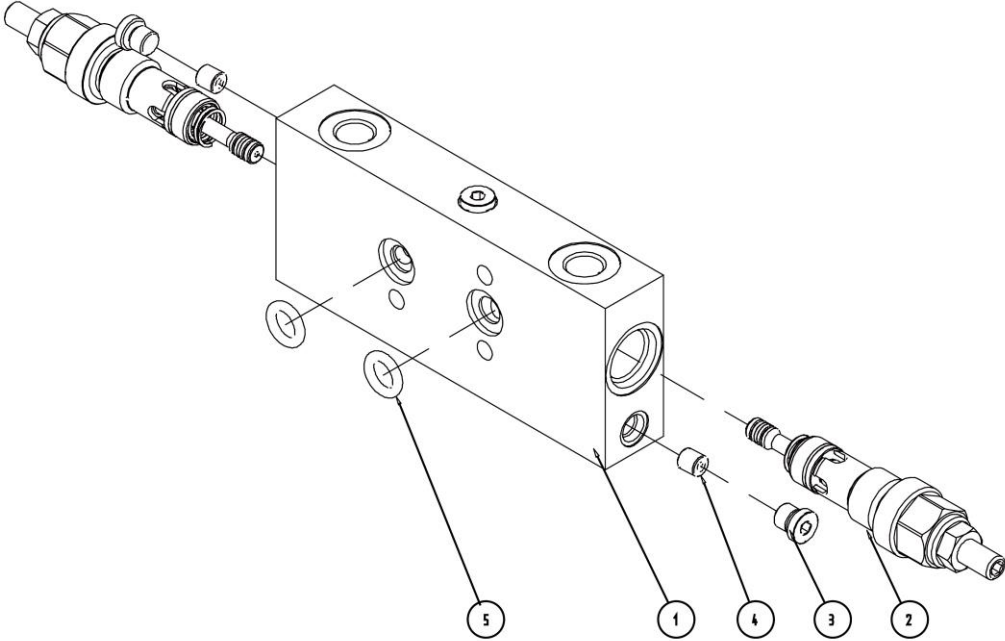
Key	Part No.	Description	Spare parts Y/N	Qty	Remarks
1	4120705183001	Cylinder barrel assembly 170207a600	Y	1	
2	4120705183002	Piston rod assembly 170511c801	Y	1	
3	4120705183003	Guide sleeve 171411a601	Y	1	
4	4120705183004	Piston 1171107a600	Y	1	
5	停用-4120705183005	Lock	Y	2	
6	4120002047007	All-metal locknut 264761t001	Y	1	
7	4120705183006	Self-lubricating composite bearing 272199c054	Y	2	
8	4120705183007	Self-lubricating composite bearing 272199c052	Y	2	
9	4120705183008	Hose clamp 310727k004	Y	1	
10	4120705183009	Hose clamp 310701k001	Y	1	
11	4120705183010	Dust cover 176407a200	Y	1	
12	4120705183011	Jib cylinder seal kit	Y	1	

**Kit**



Key	Part No.	Description	Spare parts Y/N	Qty	Remarks
1	4120705183012	Support ring for shaft 280505t044	Y	2	
2	4120705183013	Support ring for hole 290503t051	Y	2	
3	4120705183014	Piston dynamic seal 280203b063	Y	1	
4	4120705183015	Step seal 290109t010	Y	1	
5	4120705183016	Rod dynamic seal 280105b028	Y	1	
6	4120705183017	Dust ring 280402b001	Y	1	
7	4120705183018	Snap ring 280802f015	Y	1	
8	4120705183019	O-ring 280702a039	Y	1	
9	4120703561011	O-ring 280702a016	Y	1	
10	4120705183020	O-ring 280701a003	Y	1	

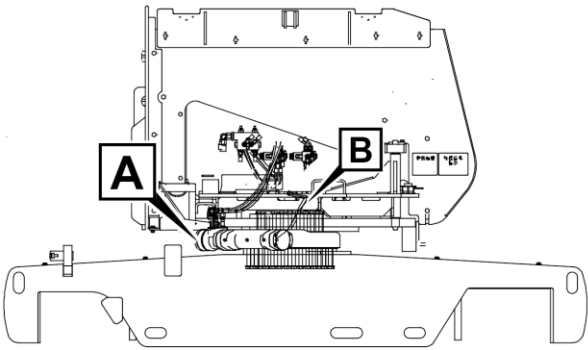
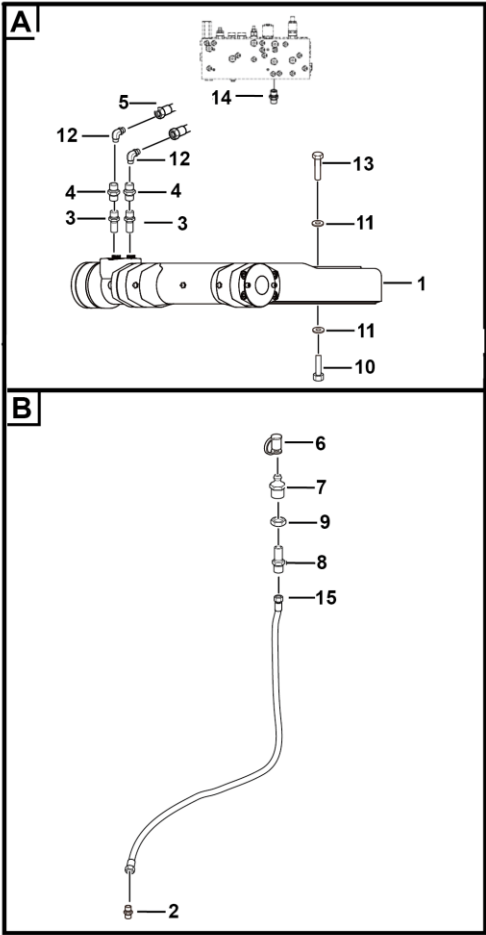
**Valve**







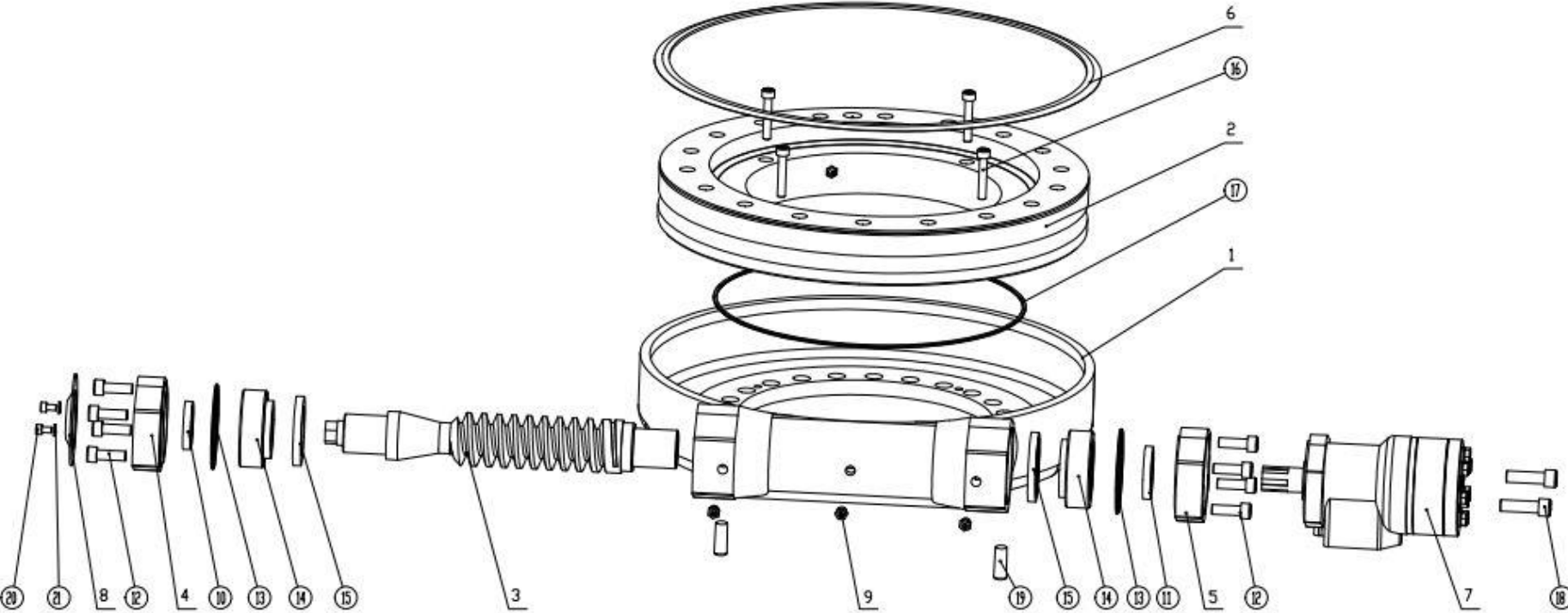
Swing hydraulic



L2500-2525000049.S1a

Key	Part No.	Description	Spare parts Y/N	Qty	Remarks
1	4120704632	Slewing drive assembly	Y	1	
2	4120704646	Straight fitting ge08l1/8npt	Y	1	
3	4120704645	Extended straight fitting 1co-18-10-h50	Y	2	
4	4120704367	Combination fitting 2c-14-18	Y	2	
5	4120706296	Hose fc402caca080804-1200, main valve to manual pump	Y	2	
6	4030000107	Oil bowl dust cap jxhf-00006	Y	1	
7	4030000065	Grease fitting jb7940.1-m10*1	Y	1	
8	25250000021	Bulkhead fitting	Y	1	
9	4013010403	Nut gb6173-m14*1.5flznyc-05	Y	1	
10	4011010564	Bolt gb5782-m16*110flznyc-12.9-480	Y	18	
11	4015010287	Washer gb97.1-16flznyc-480	Y	41	
12	4120000868	Right-angle fitting 2c9-14z	Y	2	
13	4011010682	Bolt gb5782-m16*125flznyc-12.9-480	Y	23	
14	4120001495	Fitting, hydraulic 1cb-14-06wd	Y	2	
15	4120002389	Pipej20411-14-05tz*scp3-05*1100	Y	1	

# Swing drive assembly



Key	Part No.	Description	Spare parts Y/N	Qty	Remarks
1	4120704632001	Housing we1401	Y	1	
2	4120704632002	Slewing ring wem1402	Y	1	
3	4120704632003	Worm w1403-bh	Y	1	
4	4120704632004	End cap t/s08c	Y	1	
5	4120704632005	Motor adapter t/s04c	Y	1	
6	4120704632006	Seal ring wt15b 2m	Y	1	
7	4120704632007	Hydraulic motor 255-160-a1104baaaa	Y	1	
8	4120704632008	End cap t/so7a	Y	1	
9	4120704632009	Lubricating nozzle f/d052	Y	3	
10	4120704632010	Seal ring gb13871-fb40x50x8-nbr	Y	1	
11	4120704632011	Seal ring gb13871-fb40x55x8-nbr	Y	1	
12	4120704632012	Screw	Y	8	
13	4120704632013	O-ring gb/t3452.1-82.5x2.65-g-n-nbr	Y	2	
14	4120704632014	Bearing gb/t297-33208	Y	2	
15	4120704632015	Seal ring gb13871-fbsox72x8-nbr	Y	2	
16	4120704632016	Screw	Y	4	
17	4120704632017	O-ring gb/t3452.1-317*3.55-g-n-nbr	Y	1	
18	4120704632018	Screw	Y	2	
19	4120704632019	Pin gb/t118-12x35-b-45-zn.d	Y	2	
20	4120704632020	Screw	Y	2	
21	4120704632021	Snap ring gb/t97.1-6-a4-70	Y	2	

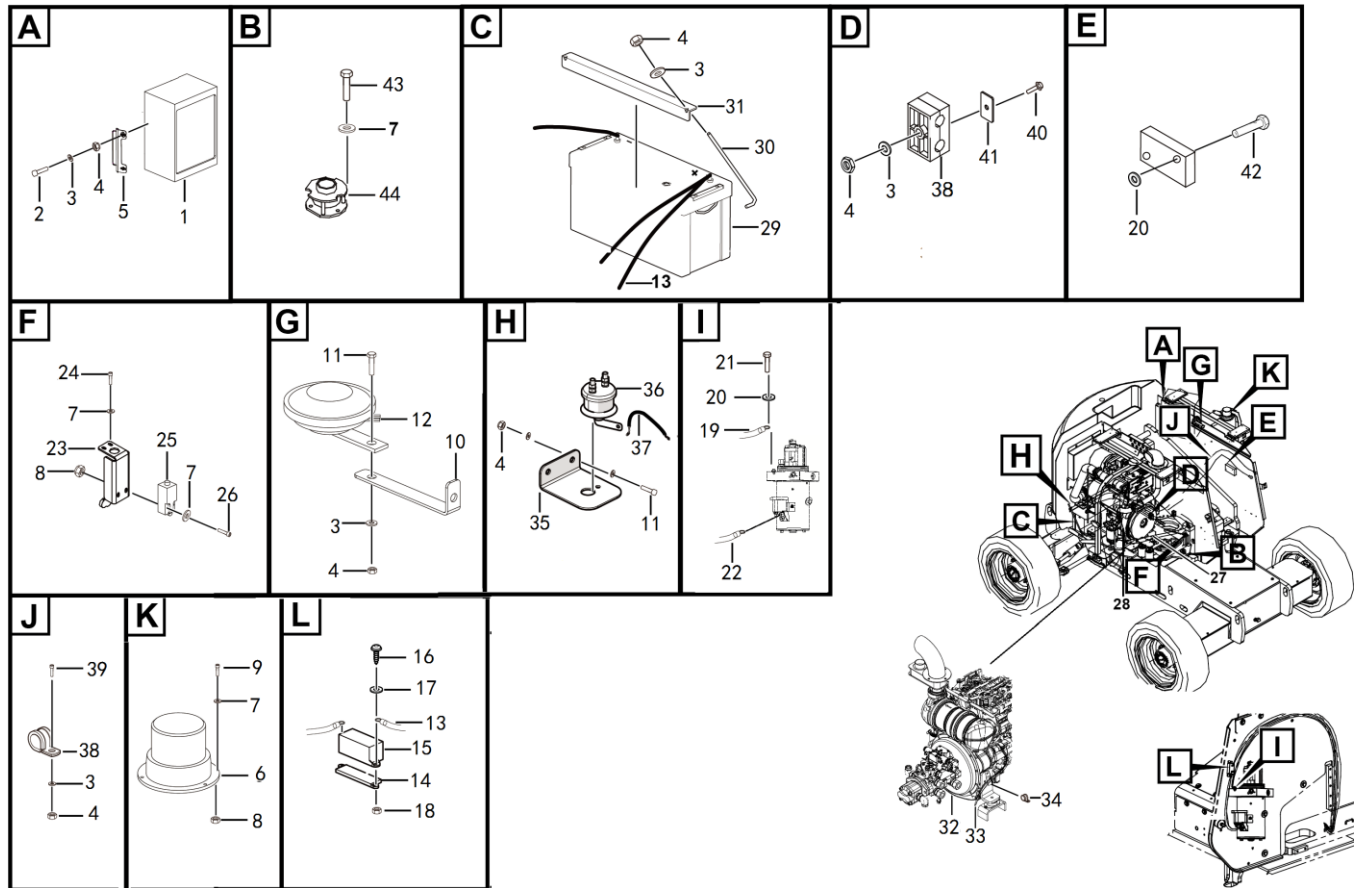


**M**  
**ELECTRIC SYSTEM**



**LINGONG GROUP JINAN HEAVY MACHINERY CO., LTD.**

# System

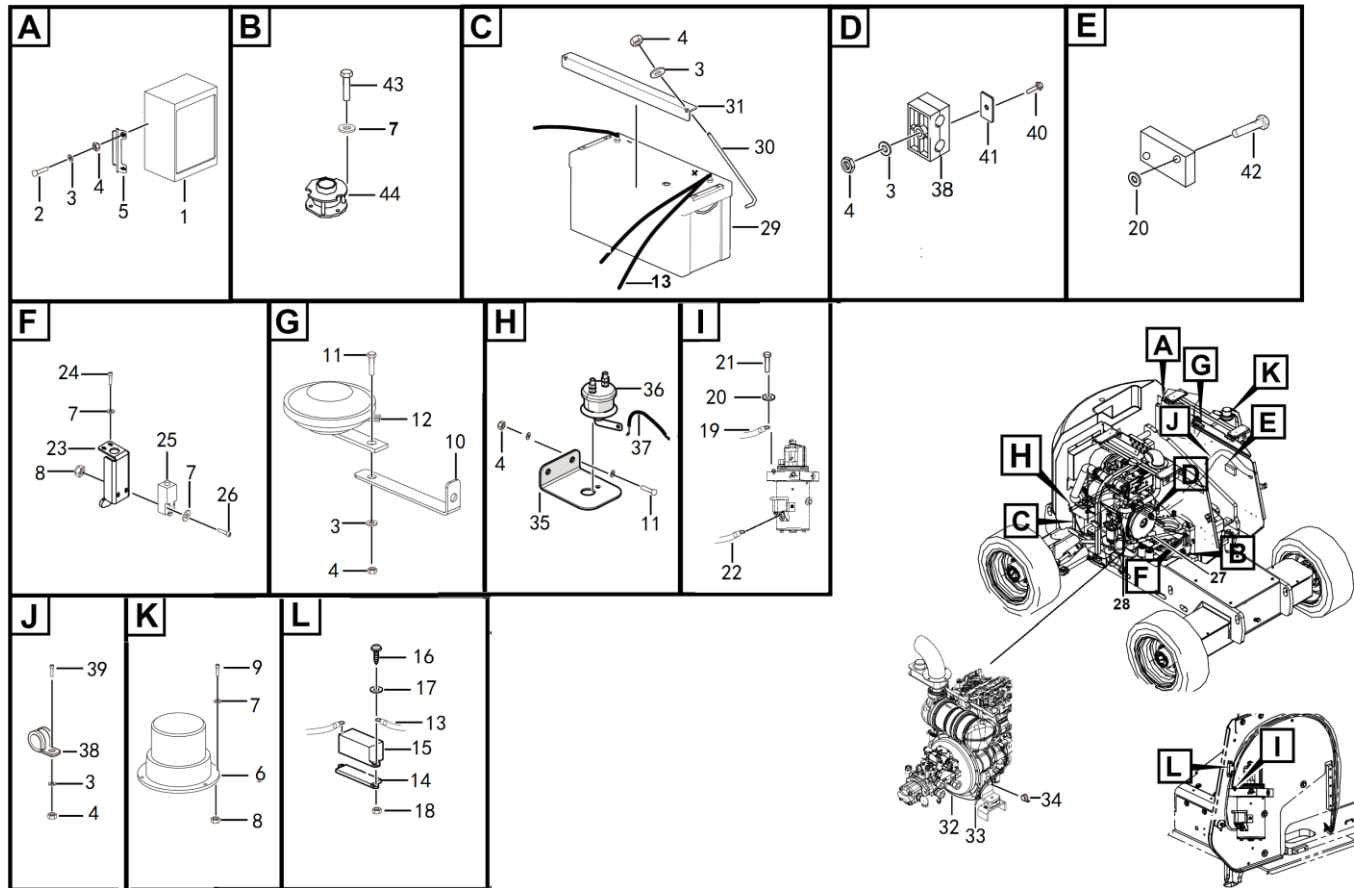


M3000-2531000367.S1C1



Key	Part No.	Description	Spare parts Y/N	Qty	Remarks
1	25310013291	Control box	Y	1	
2	4011010970	Bolt gb5783-m8*16flznyc-8.8-480	Y	4	
3	4015010289	Washer gb96.1-8flznyc-480	Y	11	
4	4013010297	Nut gb889.1-m8flznyc-8-480	Y	11	
5	25310002931	Welding, harness mounting bracket assembly	Y	1	
6	4130000974	Alarm lamp	Y	1	
7	4015010283	Washer gb97.1-5flznyc-480	Y	10	
8	4013010305	Nut gb889.1-m5flznyc-8-480	Y	5	
9	4014010113	Screw gb70.1-m5*25flznyc-8.8	Y	3	
10	25310000391	Forming (stamping, etc.), horn mounting plate	Y	1	
11	4011010743	Bolt gb5783-m8*25flznyc-8.8-480	Y	3	
12	4130001029	Horn dc12v	Y	1	
13	25310003362	Power cord p35*3200, battery positive terminal to emergency pump fuse	Y	1	
14	4130000956	Fuse holder 02981001zxt	Y	1	
15	4130702399	Fuse 0298250	Y	1	
16	4014010130	Screw gb70.1-m4*20flznyc-8.8-480	Y	2	
17	4015010290	Washer gb97.1-4flznyc-480	Y	4	
18	4013010304	Nut gb6170-m4flznyc-8-480	Y	4	
19	25310003022	Power cord p35*3650, power switch to emergency pump negative terminal	Y	1	
20	4015010284	Washer gb97.1-6flznyc-480	Y	5	
21	4011010716	Bolt gb5783-m6*12flznyc-8.8-480	Y	1	
22	25310003371	Power cord p35*450, battery to fuse	Y	1	

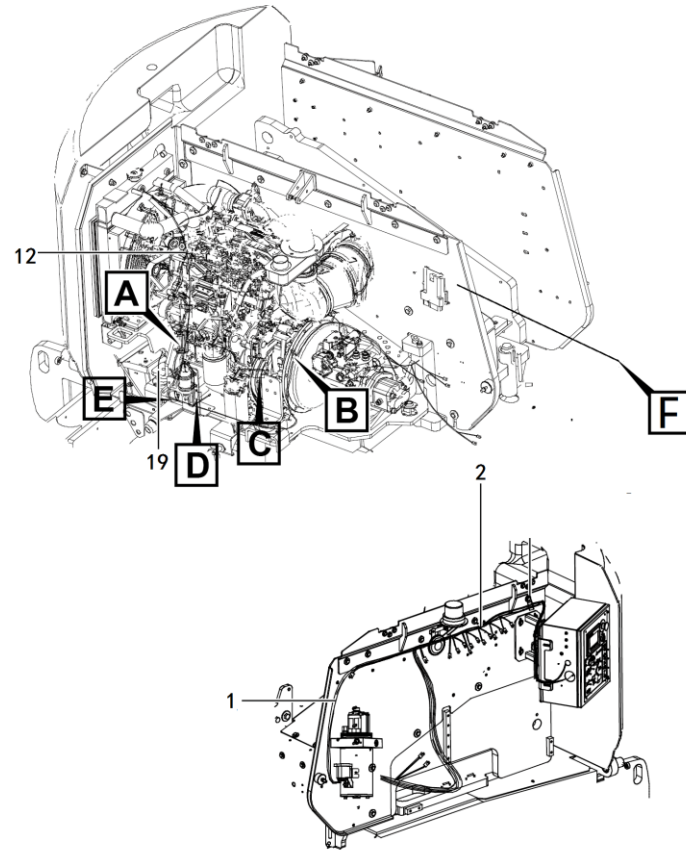
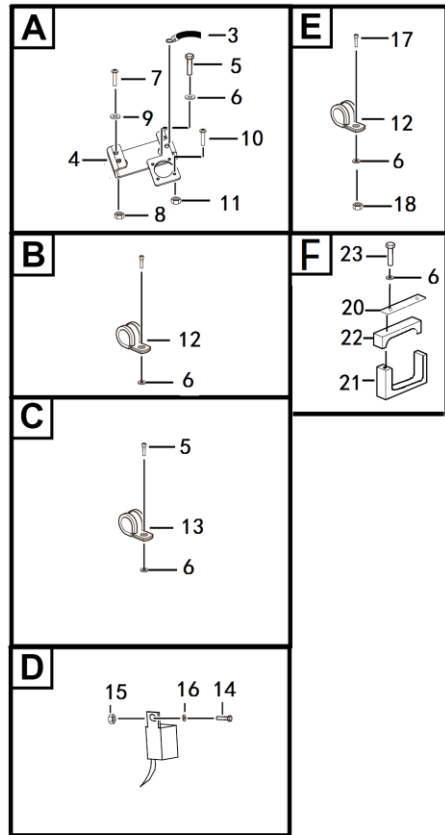
# System



M3000-2531000367.S1C1

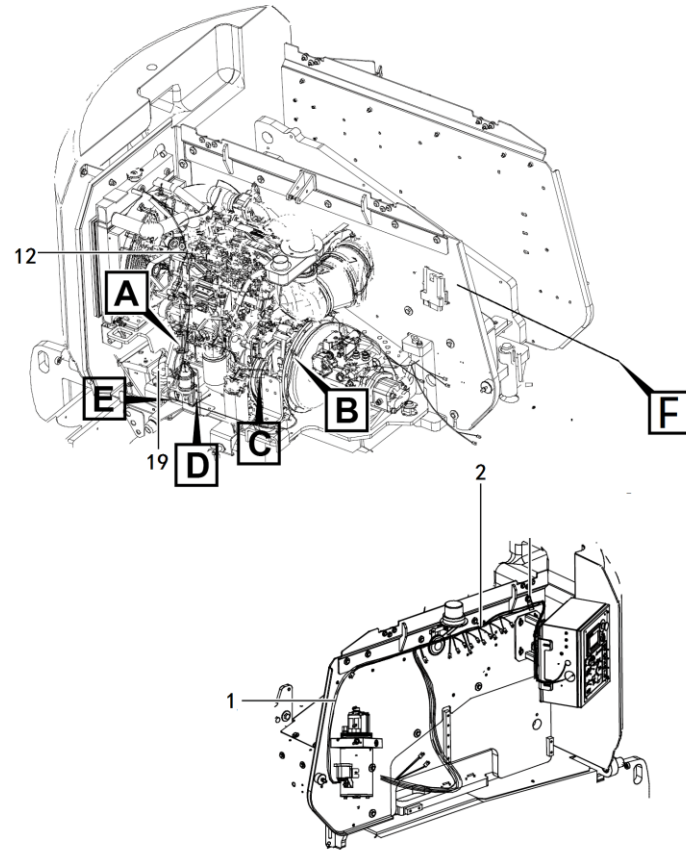
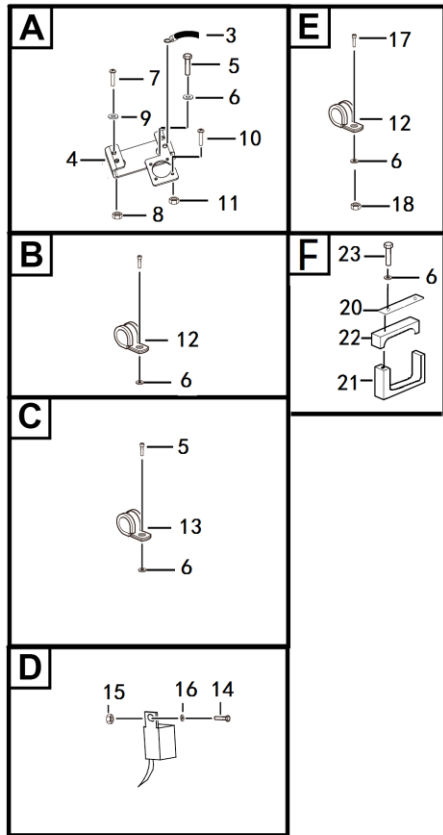
Key	Part No.	Description	Spare parts Y/N	Qty	Remarks
23	25310002032	Welding, slewing limiter mounting plate	Y	1	
24	4014010127	Screw gb70.1-m5*10flznyc-8.8-480	Y	2	
25	4130701637	Lower limit switch	Y	1	
26	4014010123	Screw gb70.1-m5*40flznyc-8.8-480	Y	2	
27	25310003031	Power cord p35*2600, negative terminal to engine ground	N	1	
28	25310002202	Preheater power cord, engine glow plug to preheater relay	N	1	
29	4130000059	Battery 6-qw-120b	Y	1	
30	25310005031	Threaded rod, bent fixing rod	Y	2	
31	25310005011	Battery clamp plate weldment	Y	1	
32	25310003381	Power cable p25*1800, engine alternator-engine starter	Y	1	
33	25310001911	Power cord p35*2650, starter to battery positive terminal	Y	1	
34	26370001221	Pipe clamp, for fixing engine harness	Y	1	
35	25310002061	Forming (stamping, etc.), power switch bracket	N	1	
36	4130702113	Dc power switch 75920-10	Y	1	
37	25310003691	System	N	1	
38	4120001947	Pipe clamp ttpg-212.7	Y	3	
39	4011010753	Bolt gb5783-m8*45flznyc-8.8-480	Y	3	
40	4011010973	Bolt gb5783-m8*50flznyc-8.8-480	Y	1	
41	27410100861	Cover plate, 53*30*3	Y	3	
42	4011010717	Bolt gb5783-m6*30flznyc-8.8-480	Y	2	
43	4014010131	Screw gb70.1-m5*16flznyc-8.8-480	Y	3	
44	4130702176	Tilt switch wss-045-045-20-5l-088f	Y	1	

# System



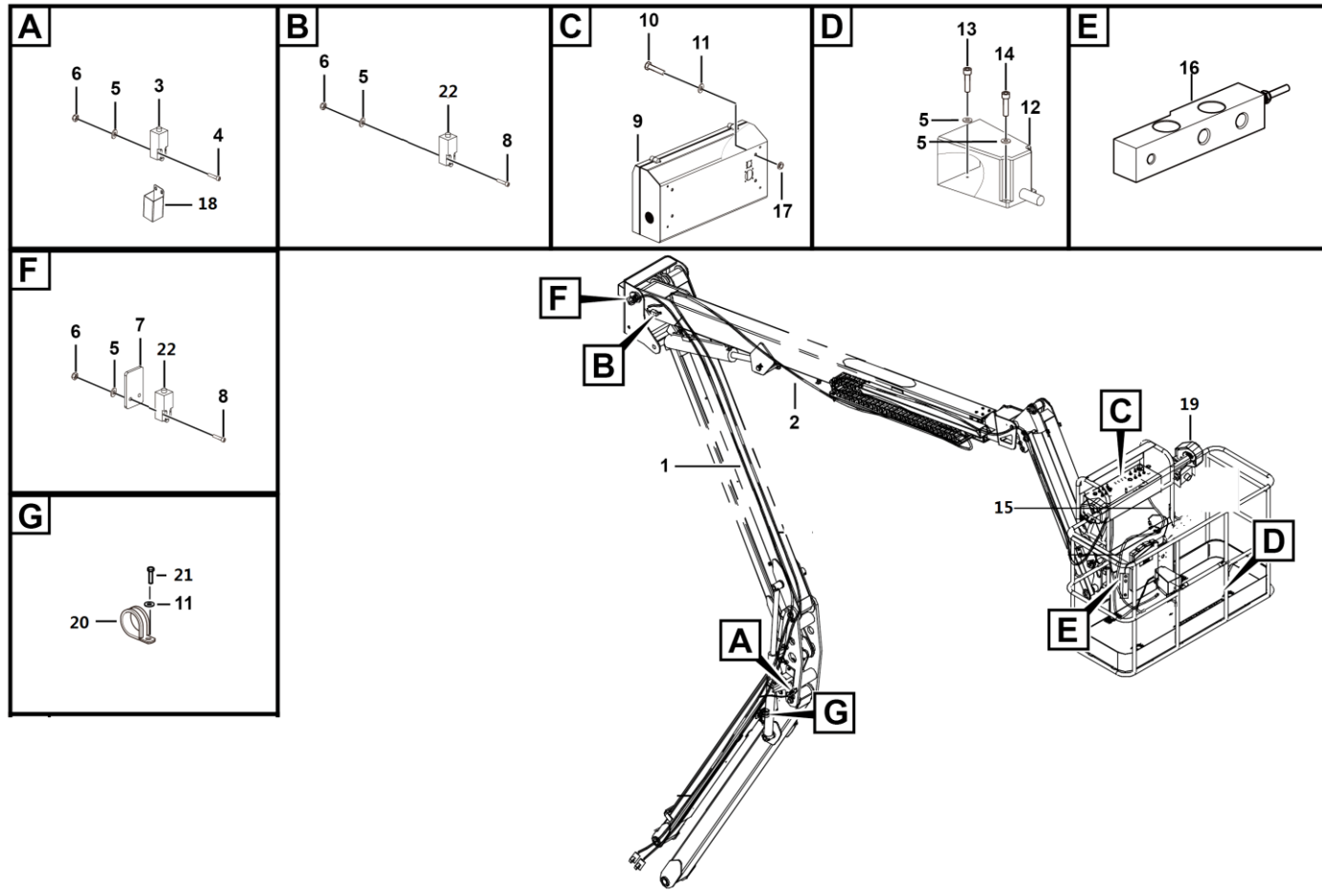
Key	Part No.	Description	Spare parts Y/N	Qty	Remarks
1	25310004632	Main harness, for connecting machine electrical component	N	1	
2	25310003411	Cable	Y	1	
3	25310001922	Power cord p20*800, preheater relay to starter	Y	1	
4	25310003342	Forming (stamping, etc.), power cord fuse holder mounting bracket	Y	1	
5	4011010970	Bolt gb5783-m8*16flznyc-8.8-480	Y	5	
6	4015010289	Washer gb96.1-8flznyc-480	Y	6	
7	4014010388	Screw gb818-m5*16flznyc-4.8-480	Y	4	
8	4013010305	Nut gb889.1-m5flznyc-8-480	Y	4	
9	4015010345	Washer gb96.1-5flznyc-480	Y	4	
10	4014010415	Screw gb818-m3*12flznyc-4.8-480	Y	4	
11	4013010387	Nut gb889.1-m3flznyc-8-480	Y	4	
12	28129900131	Pipe clamp, 25*5*20	Y	2	
13	28019900111	Pipe clamp, for fixing fuel pipe	Y	3	
14	4011010747	Bolt gb5783-m6*16flznyc-8.8-480	Y	1	
15	4013010300	Nut gb889.1-m6flznyc-8-480	Y	1	
16	4015010296	Washer gb96.1-6flznyc-480	Y	1	
17	4011010972	Bolt gb5783-m8*35flznyc-8.8-480	Y	1	
18	4013010297	Nut gb889.1-m8flznyc-8-480	Y	1	
19	25310003041	Power cord p35*850, battery to main power switch	Y	1	
20	25230010411	Packing plate, pipe clamp pressure plate	Y	1	
21	25230010421	Pipe clamp ii, harness connector	Y	1	
22	25230010521	Pipe clamp i, harness connector	Y	1	

# System





# System

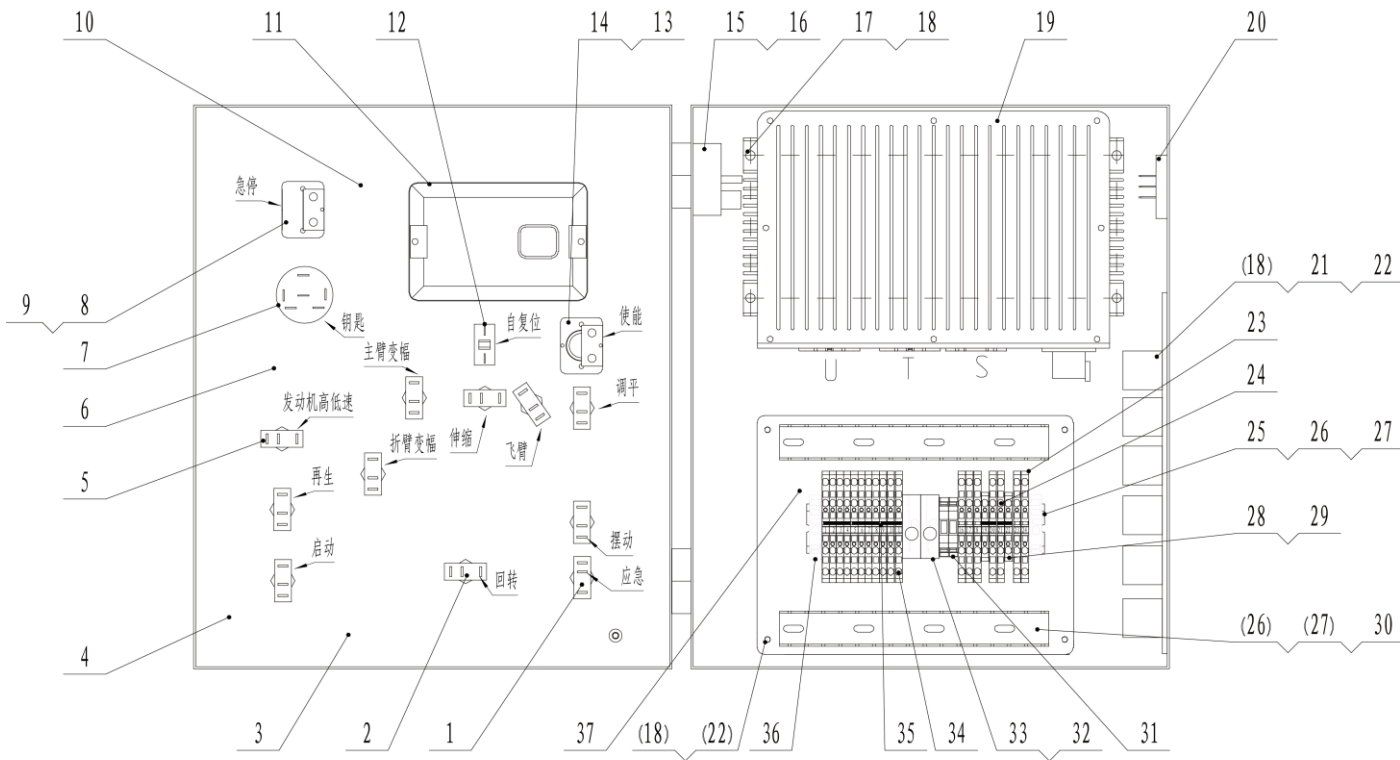


M3200-2533000713.S1C



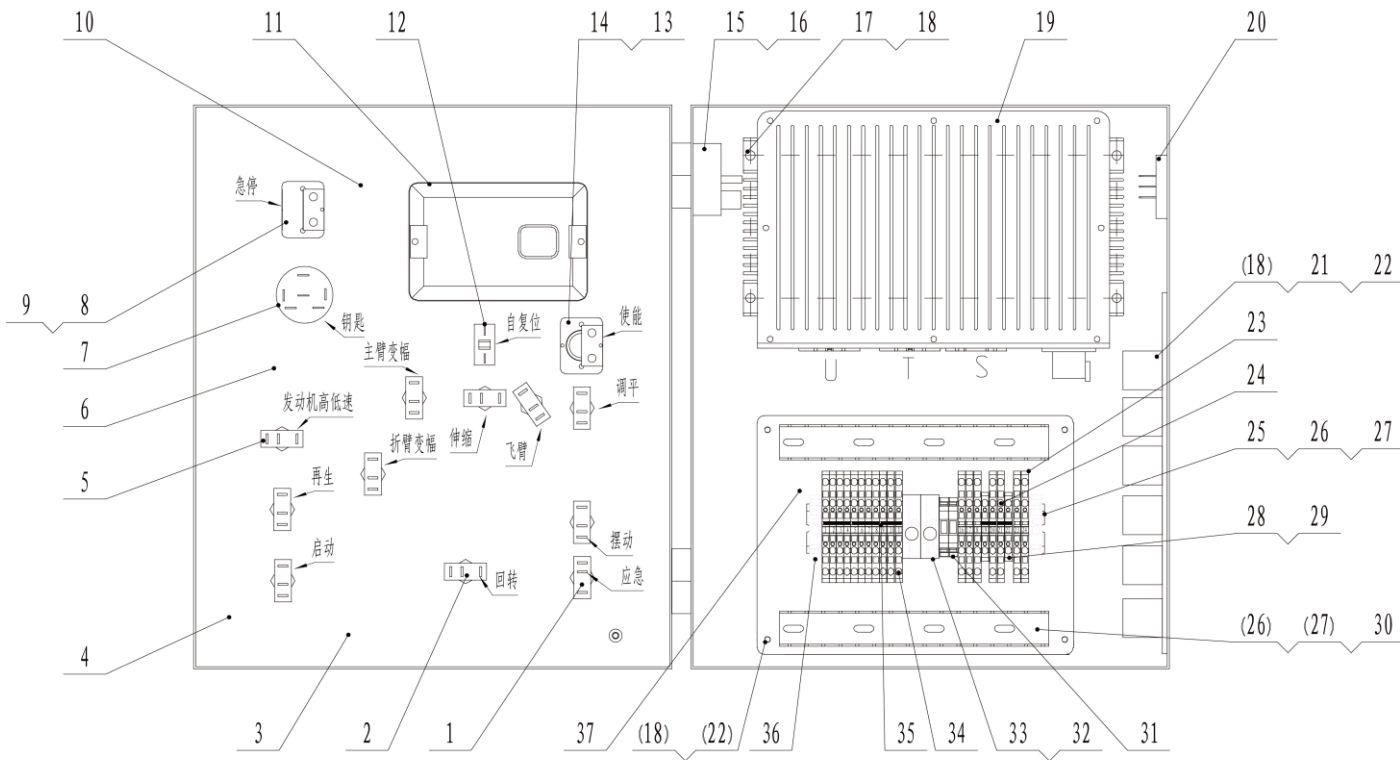
Key	Part No.	Description	Spare parts Y/N	Qty	Remarks
1	25330003661	Cable	Y	1	
2	25330003652	Cable	Y	1	
3	4130701637	Lower limit switch	Y	1	
4	4014010353	Screwgb70.1-m5*45flznyc-8.8	Y	2	
5	4015010283	Washer gb97.1-5flznyc-480	Y	14	
6	4013010305	Nut gb889.1-m5flznyc-8-480	Y	6	
7	25330000971	Limit switch protection weldment	Y	1	
8	4014010421	Screw	Y	4	
9	25330011421	Control box	Y	1	
10	4011010748	Bolt gb5783-m10*20flznyc-8.8-480	Y	4	
11	4015010278	Washer gb96.1-10flznyc-480	Y	4	
12	4130702146	Foot switch hrf-hd3nx-lg	Y	1	
13	4014010122	Screw gb70.1-m5*20flznyc-8.8-480	Y	1	
14	4014010131	Screw gb70.1-m5*16flznyc-8.8-480	Y	2	
15	25330007182	Cable	N	1	
16	4130702468	Load cell ps-3410 dc	Y	1	
17	4013010289	Nut gb6170-m10flznyc-8-480	Y	4	
18	25330005101	Limit switch protection weldment	Y	1	
19	25210050681	Safety protection assembly	Y	1	
20	26370001941	Pipe clamp, for fixing limiter connecting wire	Y	1	
21	4011011098	Bolt gb818-m10*12flznyc-8.8	Y	1	
22	4130702589	Limit switch	Y	2	

# Control box



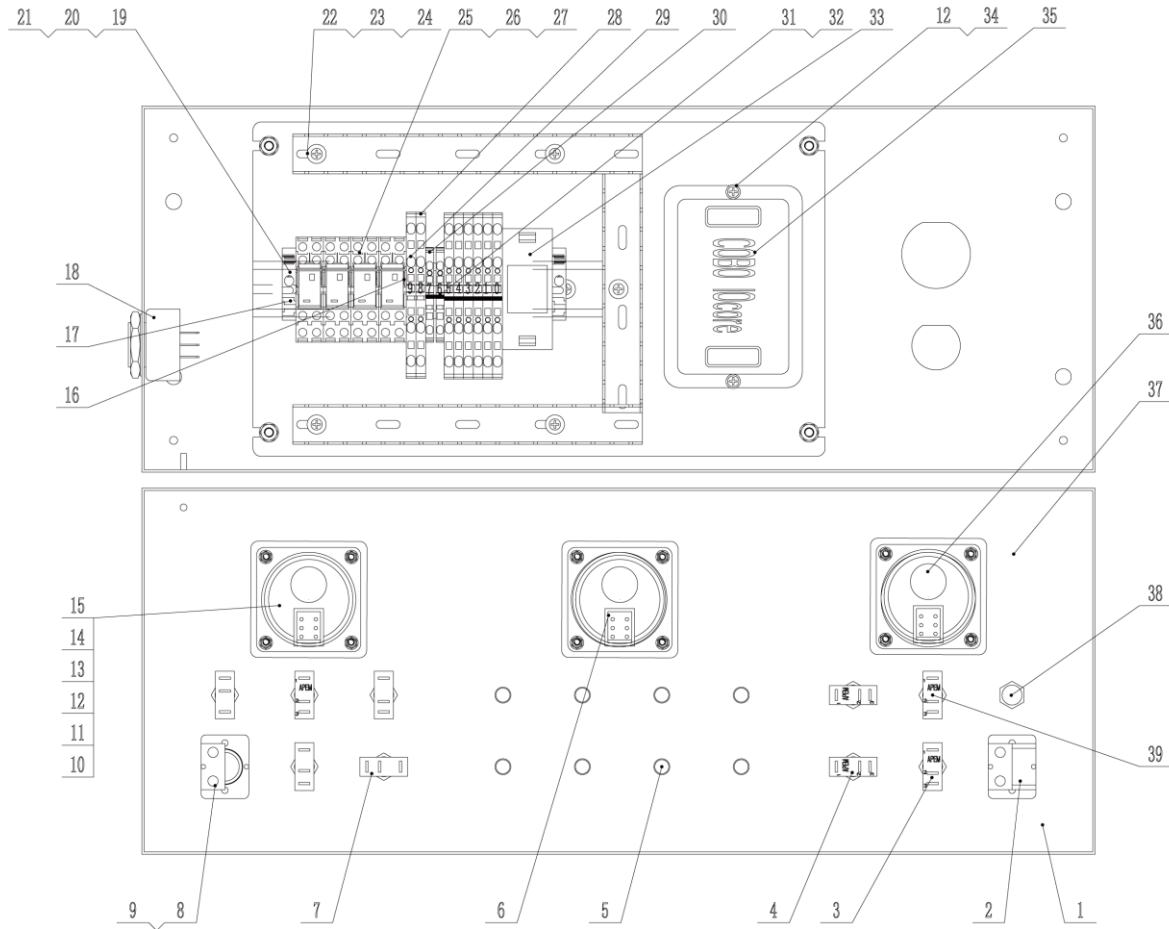
Key	Part No.	Description	Spare parts Y/N	Qty	Remarks
1	4130703628	Switch 635h-k-u282	Y	3	
2	4130703627	Switch 637h-k-u282	Y	7	
3	25310013151	Ground control box label sticker cobo-a14jd/a16jd	Y	1	
4	25310014921	Ground control box cobo-a14jd/a16jd	Y	1	
5	4130703629	Switch 631h-k-u282	Y	1	
6	4130703652	Hole plug m12*1.5 (including plug nut gasket)	Y	1	
7	4130000723	Key switch (key code 4130000723001)	Y	1	
8	4130702070	Emergency stop switch zb2bs54c+zb2b104c	Y	1	
9	4130703633	Contact module zb2be102c	Y	1	
10	4130703639	Led indicator gg8g-d/-r/dc12v/s	Y	5	
11	4130703603	Display panel canview4	Y	1	
12	4130703642	Overcurrent protector 88-20a (with waterproof cap)	Y	1	
13	4130703635	Green flat button zb2ba3c	Y	1	
14	4130703636	Contact module with base zb2bz101c	Y	1	
15	4130000726	Timetable	Y	1	
16	4030000130	O-ring gb3452.1-47.5*3.55g	Y	1	
17	4014010386	Screw gb818-m5*20flznyc-4.8-480	Y	4	
18	4015010283	Washer gb97.1-5flznyc-480	Y	18	
19	4130703601	Boom controller mc2m	Y	1	
20	4130000797	Buzzer,cy-3631-24v	Y	1	
21	4130703632	Relay 896h-1ah-c1s 12vdc	Y	6	
22	4014010108	Screw gb818-m5*14flznyc-4.8-480	Y	10	

# Control box



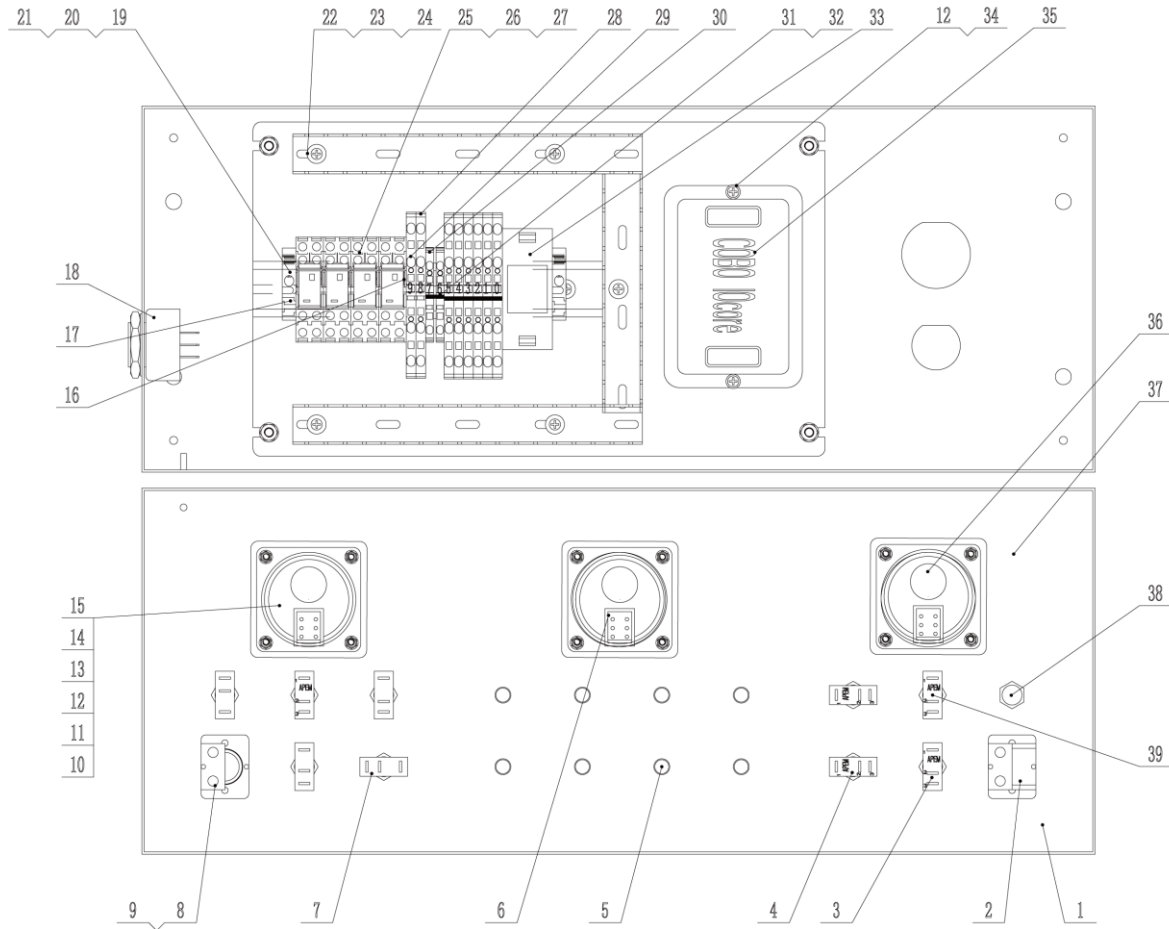
Key	Part No.	Description	Spare parts Y/N	Qty	Remarks
23	4130703770	Partition zap/tw 1	Y	2	
24	25310012721	120w resistor	Y	3	
25	4130703615	Din rail ts3575-250mm	Y	1	
26	4015010365	Washer gb96.1-4flznyc-300hv-480	Y	8	
27	4014010125	Screw gb818-m4*10flznyc-4.8-480	Y	8	
28	4130703618	Connecting terminal zdu2.5/2an	Y	2	
29	4130703609	Short-circuit connector zqv 2.5/2	Y	2	
30	4130703968	Trunking 50*25*200mm	Y	3	
31	4130703606	Diode terminal sakrd-35-ds-4007	Y	2	
32	4130703645	Fuse 20a-1/4*1-1/4	Y	2	
33	4130703614	Fuse terminal saks 3	Y	2	
34	4130703608	Connecting terminal zdu2.5/4an	Y	18	
35	4130703610	Short-circuit connector zqv2.5/10	Y	2	
36	4130703605	Terminal fastener ew35	Y	2	
37	25310013191	Ar14/16j ground control unit harness assembly	Y	1	

# Control box



Key	Part No.	Description	Spare parts Y/N	Qty	Remarks
1	25330010862	Articulating boom platform control unit distribution assembly	Y	1	
2	4130702070	Emergency stop switch zb2bs54c+zb2b104c	Y	1	
3	4130703628	Switch 635h-k-u282	Y	3	
4	4130703629	Switch 631h-k-u282	Y	2	
5	4130703637	Red indicator ad17-10/dc12vr	Y	8	
6	4130702528	Single-axis proportional handle without button js1000-ny-a-snnn-tk01	Y	1	
7	4130703627	Switch 637h-k-u282	Y	4	
8	4130703635	Green flat button zb2ba3c	Y	1	
9	4130703636	Contact module with base zb2bz101c	Y	1	
10	4014010121	Screw gb818-m4*20flznyc-4.8-480	Y	12	
11	4013010304	Nut gb6170-m4flznyc-8-480	Y	12	
12	4015010290	Washer gb97.1-4flznyc-480	Y	34	
13	4015000033	Washer gb93-4-65mn	Y	12	
14	25330009871	Rubber gasket	Y	3	
15	4130702530	Double-axis proportional handle js1000-xy-a-snnn-tk01	Y	1	
16	4130703770	Partition zap/tw 1	Y	1	
17	4130703605	Terminal fastener ew35	Y	2	
18	4130000797	Buzzer,cy-3631-24v	Y	1	
19	4130703615	Din rail ts3575-250mm	Y	1	
20	4015010345	Washer gb96.1-5flznyc-480	Y	4	
21	4014010506	Screw	Y	4	
22	4015010365	Washer gb96.1-4flznyc-300hv-480	Y	3	

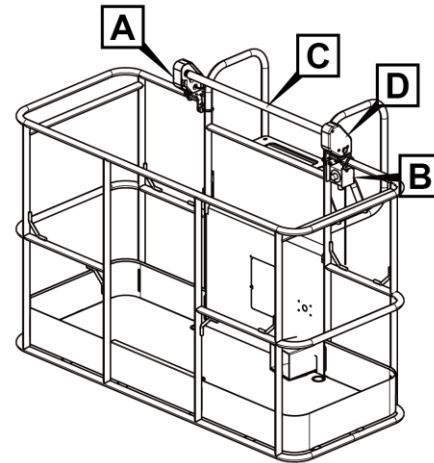
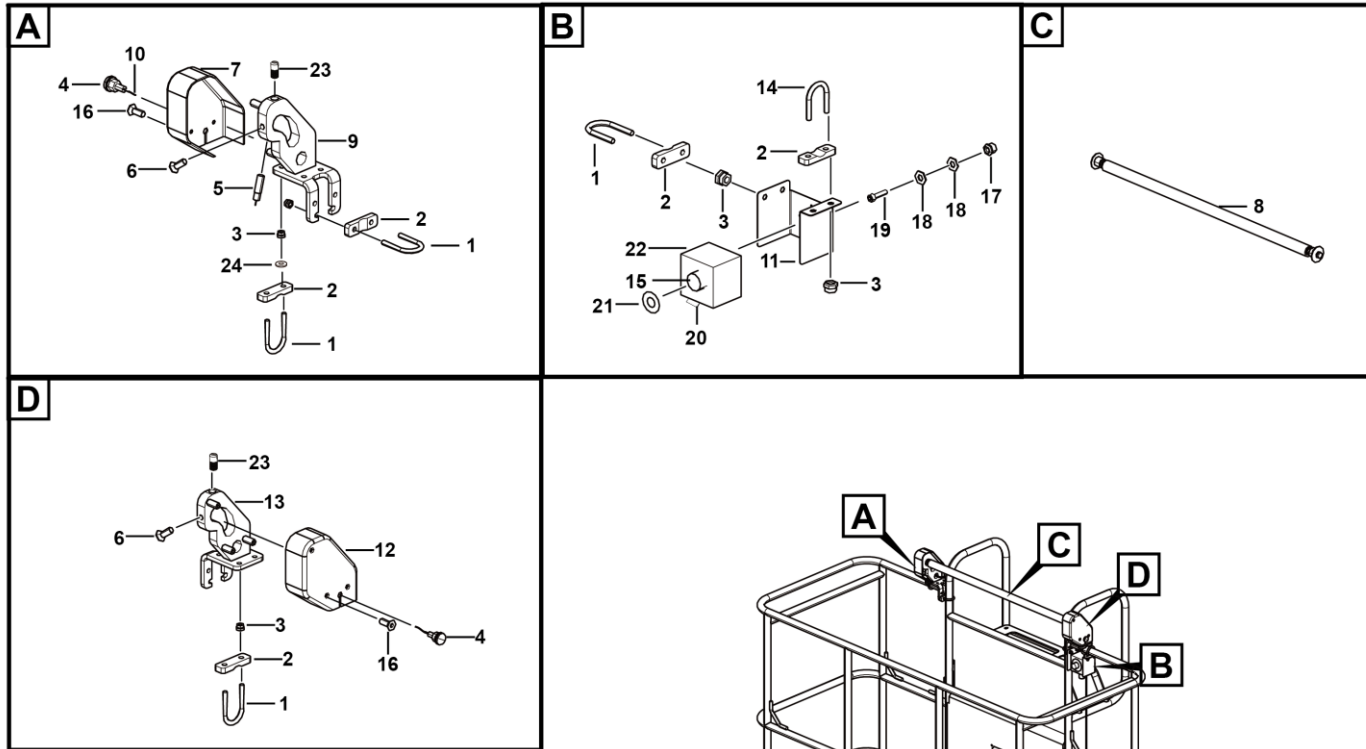
# Control box





Key	Part No.	Description	Spare parts Y/N	Qty	Remarks
23	4014010125	Screw gb818-m4*10flznyc-4.8-480	Y	3	
24	4130703617	Trunking 50*25*600	Y	1	
25	4130703611	Relay drm270012l	Y	4	
26	4130703612	Relay rack drm/drl clip m	Y	4	
27	4130703613	Relay base fs-2co	Y	4	
28	4130703608	Connecting terminal zdu2.5/4an	Y	7	
29	25310012721	120w resistor	Y	1	
30	4130703618	Connecting terminal zdu2.5/2an	Y	2	
31	4130704149	Shorting piece	Y	2	
32	4130703609	Short-circuit connector zqv 2.5/2	Y	1	
33	4130703604	Voltage regulator module urb2405ymd-6wr3a4s	Y	1	
34	4014010133	Screw gb818-m4*16flznyc-4.8-480	Y	2	
35	4130703602	Io-core	Y	1	
36	4130702529	Single-axis proportional handle with buttons js1000-ny-a-snnn-tlsw	Y	1	
37	25330010242	Platformmask	Y	1	
38	4130703652	Hole plug m12*1.5 (including plug nut gasket)	Y	1	
39	25330011432	Wire	Y	1	

# Liftguard

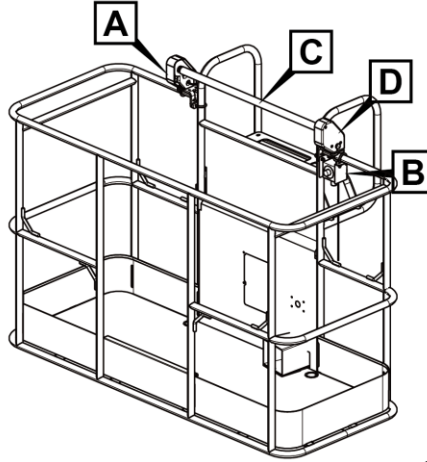
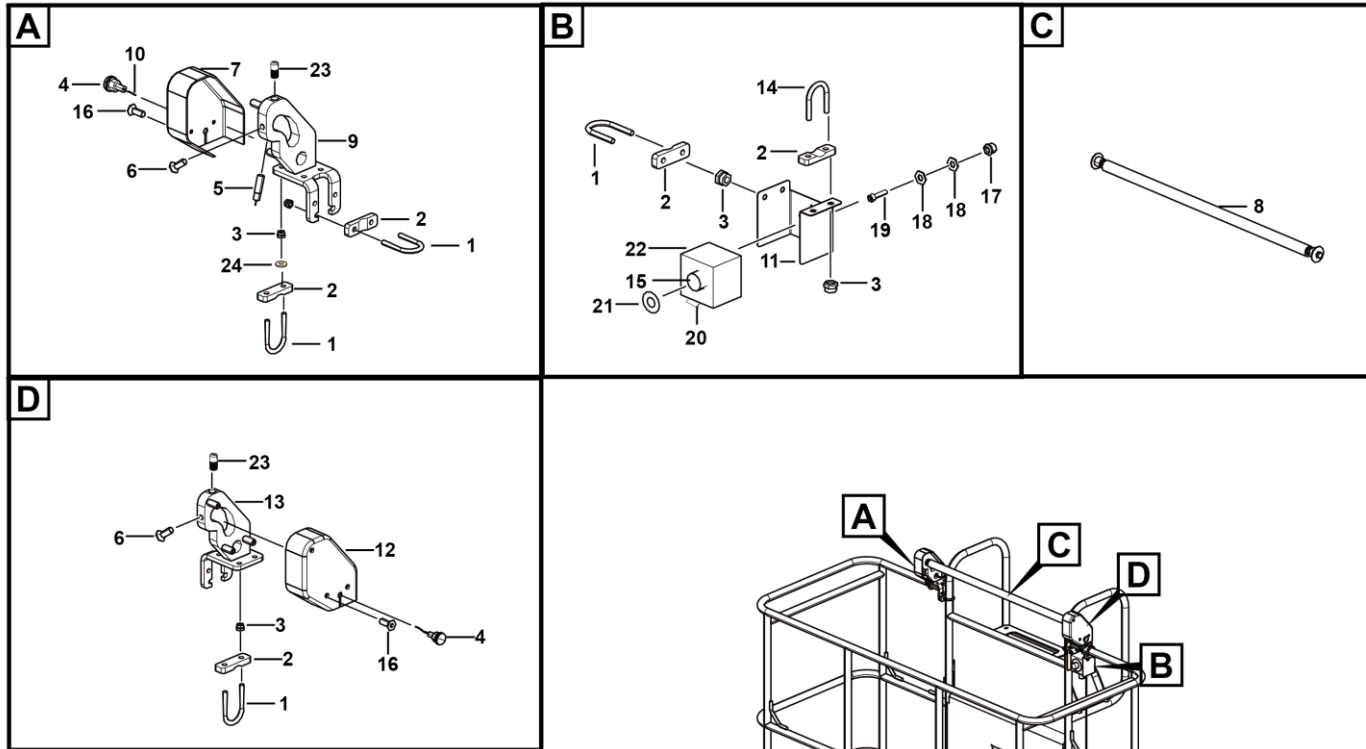


M3200-2521005068.S

Key	Part No.	Description	Spare parts Y/N	Qty	Remarks
1	25210037261	U-bolt m8	Y	4	
2	25210042501	Cushion block, for fixing housing	Y	5	
3	4013010297	Nut gb889.1-m8flznyc-8-480	Y	10	
4	4130702398	Led strobe (blue)	Y	2	
5	4130702389	Proximity switch xs112blpbl-1	Y	2	
6	4014000313	Bolt	Y	2	
7	25210037233	Welding, left housing, anti-crushing system	Y	1	
8	25210042461	Safety bar assembly	N	1	
9	25210042423	Welding, left support, safety protection	Y	1	
10	25330007573	Platform anti-crushing harness, for connecting platform electrical component	N	1	
11	25330005051	Forming (stamping, etc.), reset switch mounting plate	Y	1	
12	25210037243	Welding, anti-crushing system right housing	Y	1	
13	25210042433	Weldment, right housing, safety protection right support	Y	1	
14	25330005041	U-bolt, 33	N	1	
15	4130702119	Reset switch xb2ba42c	Y	1	
16	4014010452	Screwgb/t70.3-m6*16flznyc-8.8-480	Y	6	
17	4013010360	Nut gb889.1-m4flznyc-8-480	Y	2	
18	4015010381	Washer gb97.1-4flznyc-300hv-480	Y	4	
19	4014010422	Screw gb70.1-m4*16flznyc-8.8-480	Y	2	
20	4019010208	Waterproof fitting pg13.5	Y	1	
21	25340018012	Reset switch decal	Y	1	
22	4130702120	Switch button box xalb01yc	Y	1	

**Electric system**

# Liftguard



M3200-2521005068.S



**Anti-crushing rod assembly**

