

A14JE AERIAL WORK PLATFORM PARTS CATALOG



LINGONG GROUP JINAN HEAVY MACHINERY CO., LTD.

Spare parts and services

For the owner of the machines of LGMG, only the spare parts and services of LGMG can make your machine to better maintain the original features.

Only LGMG is able to provide you with the perfect match of pure quality spare parts for your machine and knowledge of professional maintenance staff. Only in this way it can ensure sustainable high productivity and longer service life.

A14JE AERIAL WORK PLATFORM PARTS CATALOG

2014-11 Version 1 Printed 1

LINGONG GROUP JINAN HEAVY MACHINERY CO., LTD.

Add: Zhongrun Century Square, No. 13777, Jingshi Road, Lixia, Jinan, Shandong, P.R. China

Tel: 86-0531-81663345

Fax: 86-0531-81666853

Web: WWW.LGMG.COM.CN

FOREWORD

This parts catalog of A14JE aerial work platform is made for the convenience of users to use, repair and maintain the machine, which can be referred in the process of using. It can also help the users to be familiar with the structure and assembly relation of the machine. Parts of the engine are showed in details in its structure handbook, which are no longer contained in the catalog.

The catalog identifies drawings and assembly relations of different parts according to the system. Components which can not be taken apart, such as welding parts or riveted assemblies, are marked only by their code without the list of their consisting parts. The list in the catalog is arranged in Chinese and English.

This catalog is based on the A14JE standard product, which can be a reference for the other nonstandard products, for more information, please consult LGMG, the local dealer or LinGong website. With the advancement of technology, we will keep on improving the product, so some content in the catalog may be inconsistent with the future products, which will not notice the users. When ordering the spare parts, please be kindly inform us the manufacturing date and serial number of the machine.

THE COMPILER
2013.6

CONTENTS

B. Axle system	BoM Reference	Page
Front axle	B0400-2504000289.S1C-1	8
Plate	B0401-2504000206.B	10
Plate	B0402-2504000205.B	12
Rear axle	B0500-2505000127.S1C	14

D. Chassis system	BoM Reference	Page
Chassis assembly	D0700-2516001021.S1B	18
Battery and oil box side Assembly	D0800-2518000064.S	20
	D0801-2518000060.B1F	22
Right battery box assembly	D0802-2518000063.B1F	24

H. Swing system	BoM Reference	Page
Turntable assembly	H1400-2523000001.S1C	28
Swing mechanism assembly	H1500-2525000001.S1B	32
Counterweight	H1600-2528000012.S	34

I. Cover accessory	BoM Reference	Page
Assembly	I1700-2529001315.S	38
Assembly	I1700-2529001190.S3B	40
Assembly	I1700-2529001208.S3B	42

J. Boom system	BoM Reference	Page
Arm rest assembly	J1800-2522000001.S1C	46
Arm assembly	J1802-2522000068.S1B	48
Main boom assembly	J1800-2522000069.S	50
Shield assembly	J1800-2522001186.S	52
Arm	J1801-2522000301.S1A	54
Lower 2nd jib assembly	J2200-2522000019.S	58
Lower 1st jib assembly	J2200-2522000034.B3B	60
Upper 1st jib assembly	J2200-2522000043.S	62
Upper 2nd jib assembly	J1800-2522000048.S	64
Power track system assembly	J2000-2527000001.S1A	66
Arm assembly	J2400-2527000030.B1C	68
Link span	J2401-2524000002.B	72
K. Platform assembly	BoM Reference	Page
Platform assembly	K2100-2521004170.S1D	76
Platform delivery assembly	K2100-2521005066.S	80
Platform support assembly	K2100-2521004171.S1B	82
Bracket assembly	K2100-2521003944.S	84
Frame	K2100-2521005757	86
U-shaped lifting cross bar assembly	K2100-2521003957.S	88
U-shaped lifting cross bar assembly	K2100-2521003960.S	90

L. Hydraulic system	BoM Reference	Page
Drive hydraulic assembly	L2300-2507000401.S1A	94
Wheel drive	L0700-4120703559	96
Gear pump	L2300-4120001431	102
Steer cylinder	L2300-4120704841	104
Assembly	L2400-2508000036.B1H	106
Hydraulic assembly	L2401-2508000037.B1J	110
Valve	L2400-4120703873	112
Extension assembly	L2402-2508000038.B1I	114
Platform level slave assembly	L2403-2508000039.S1C1-G1	116
Hydraulic assembly	L2404-2508000040.S1B	118
Cylinder	L2400-4120704842	120
Cylinder	L2400-4120704843	122
Cylinder	L2300-4120705182	124
Turntable rotate assembly	L2502-2509000120.S1A	126
Hydraulic oil tank assembly	L2200-2510000001.S1A	130
Air filter assembly	L2201-4120001427	132
Filter	L2500-4120001675	134
Platform assembly	L2700-2512000001.S1C1	136
Valve	L2700-4120706642	140
Valve	L2700-4120001481	142

M. Electric system	BoM Reference	Page
Electricity assembly system	M3000-2531000476.S	146
Motor	M3100-4130701606	150
Chassis electric system	M3200-2532002495.S1A	152
Electric assembly	M3200-2533000278.S1D1	160
Control box	M3300-4130702380	164
Control box	M3300-4130702649	166
Cover assembly	M3200-2521004192.S1B	168
Anti-crushing rod assembly	M3200-2521004246.S1B	172

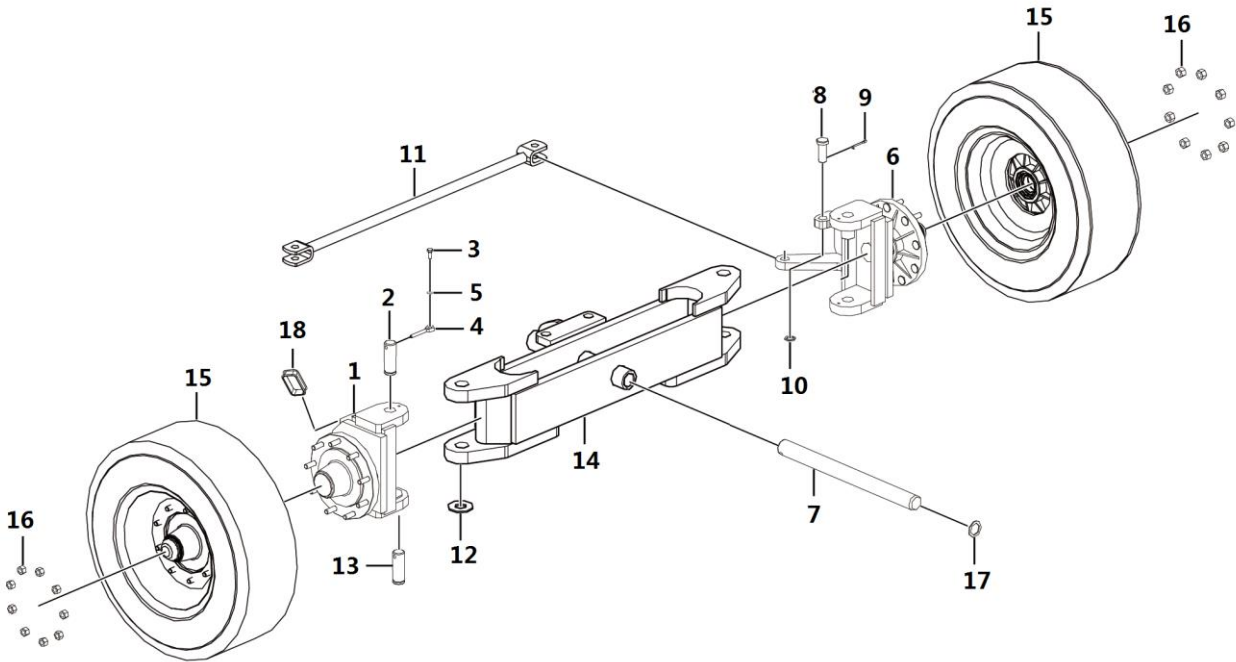
B
AXLE SYSTEM



LINGONG GROUP JINAN HEAVY MACHINERY CO., LTD.

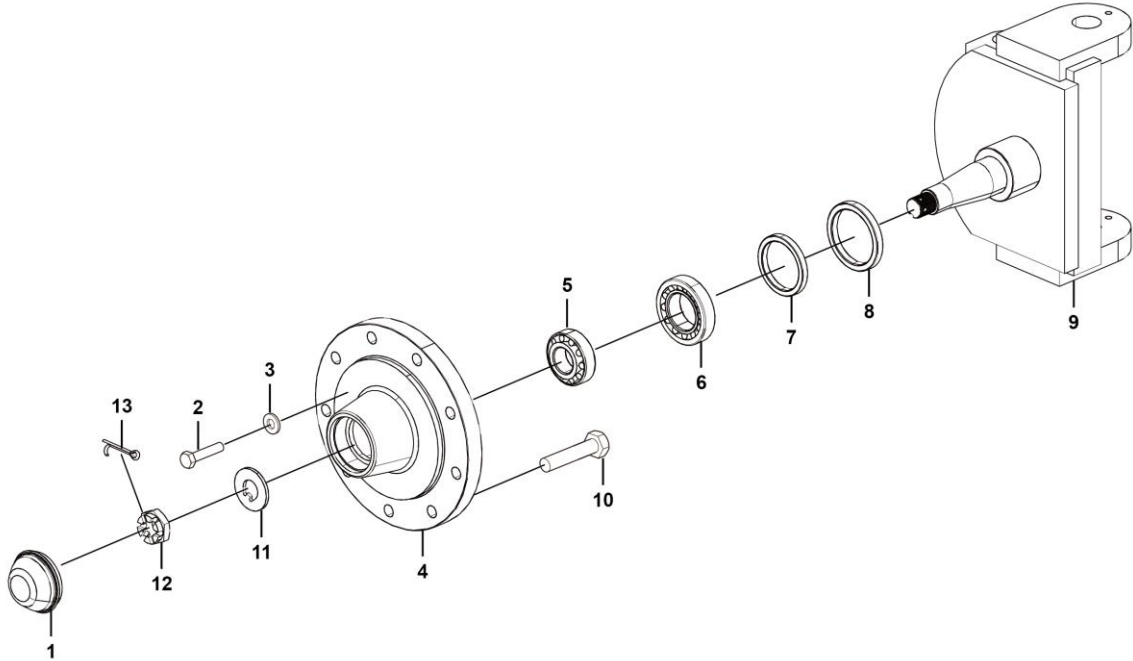


Front axle



Key	Part No.	Description	Spare parts Y/N	Qty	Remarks
1	25040005041	Right spindle delivery assembly	Y	1	
2	25040000272	Pin	Y	3	
3	4011010722	Bolt gb5783-m10*25flznyc-8.8-480	Y	5	
4	25200000641	Pin, 10*70	Y	5	
5	4015010279	Washer gb97.1-10flznyc-480	Y	5	
6	25040005031	Left spindle delivery assembly	Y	1	
7	25040001411	Axle connecting pin, ϕ 38.1*515*12	Y	1	
8	25040000311	Tie rod pin, ϕ 25.4*70	Y	6	
9	4016010133	Cotter pin gb91-5*40flznyc--480-q235a	Y	6	
10	25040000291	Washer, 36*25.4*3	Y	6	
11	25040000251	Stick	Y	1	
12	25040000351	Wear washer, 89*38.1*5	Y	2	
13	25040002923	Pipe	Y	1	
14	25040005011	Front axle delivery assembly	Y	1	
15	4110702404	Tire	Y	2	
16	25050000401	Tapered hexagon nut m16x1.5	Y	18	
17	25040001421	Adjusting washer, ϕ 65*1.5	Y	2	
18	25160000731	Rubber gromet, 34*12	Y	1	

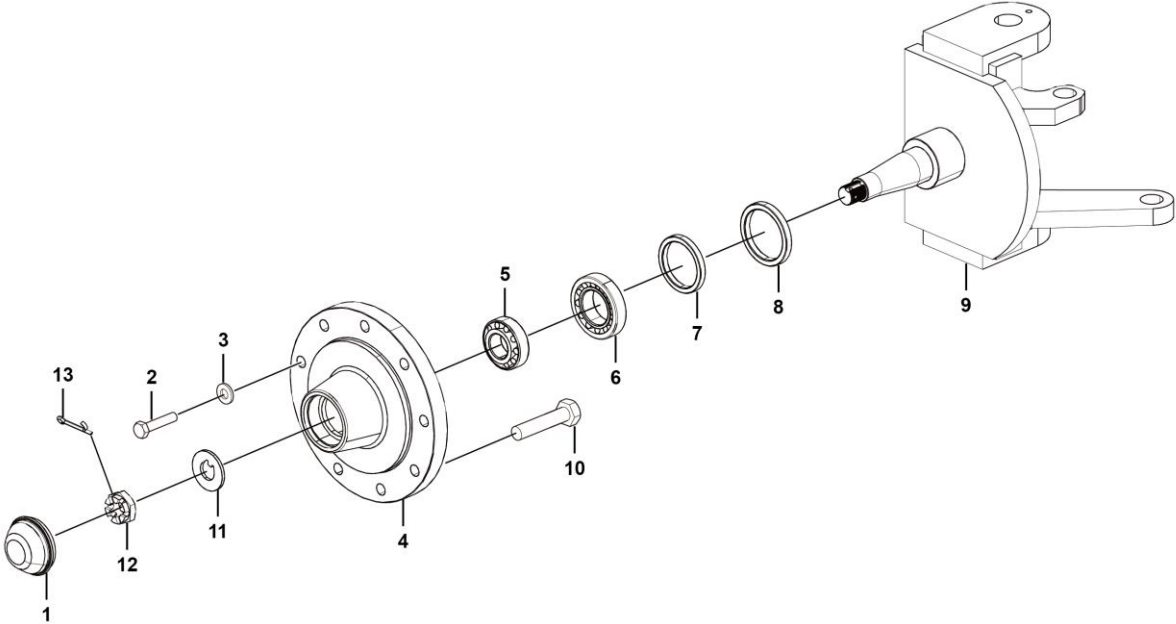
Plate



B0401-2504000206.B

Key	Part No.	Description	Spare parts Y/N	Qty	Remarks
1	4110702246	Plate	Y	1	
2	4011000105	Bolt gb5783-m8*20epzn-8.8	Y	8	
3	4015000072	Washer gb97.1-8epzn-300hv	Y	8	
4	4110702247	Plate	Y	1	
5	4021010037	Rolling bearing	Y	1	
6	4021010038	Rolling bearing	Y	1	
7	25040002021	Plate	Y	1	
8	4030100212	Washer	Y	1	
9	25040002041	Plate	Y	1	
10	4011010762	Bolt	Y	9	
11	4110702249	Plate	Y	1	
12	4110702248	Nut	Y	1	
13	4110702250	Split pingb91-8*80epzn-q235a	Y	1	

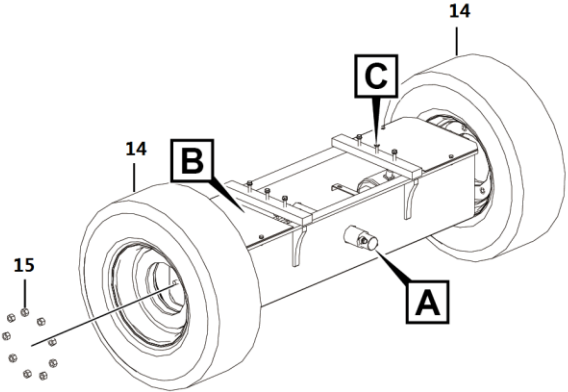
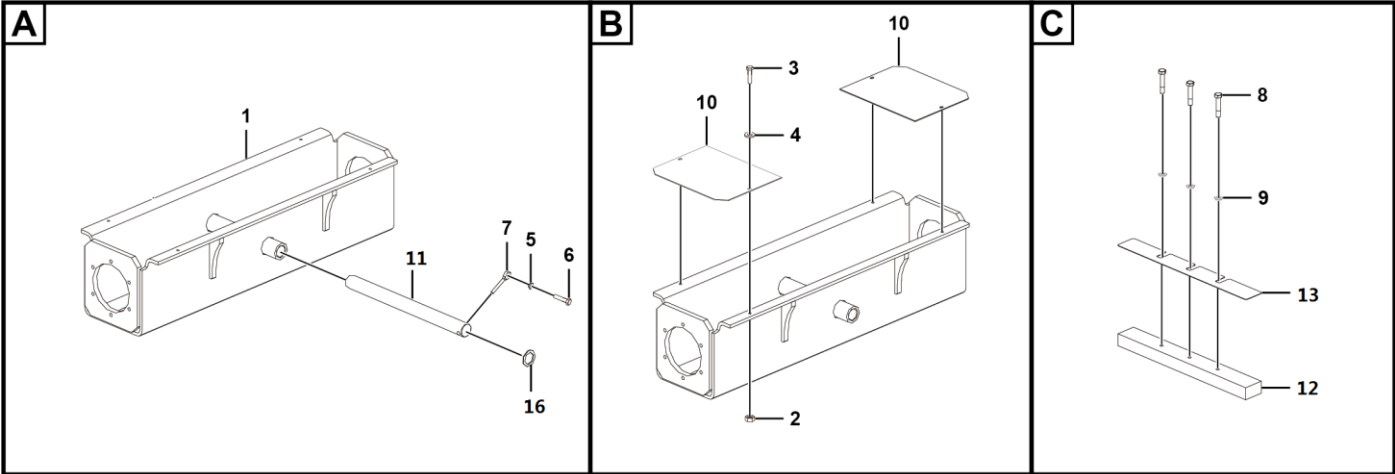
Plate



B0402-2504000205.B

Key	Part No.	Description	Spare parts Y/N	Qty	Remarks
1	4110702246	Plate	Y	1	
2	4011000105	Bolt gb5783-m8*20epzn-8.8	Y	8	
3	4015000072	Washer gb97.1-8epzn-300hv	Y	8	
4	4110702247	Plate	Y	1	
5	4021010037	Rolling bearing	Y	1	
6	4021010038	Rolling bearing	Y	1	
7	25040002021	Plate	Y	1	
8	4030100212	Washer	Y	1	
9	25040002031	Plate	Y	1	
10	4011010762	Bolt	Y	9	
11	4110702249	Plate	Y	1	
12	4110702248	Nut	Y	1	
13	4110702250	Split pingb91-8*80epzn-q235a	Y	1	

Rear axle



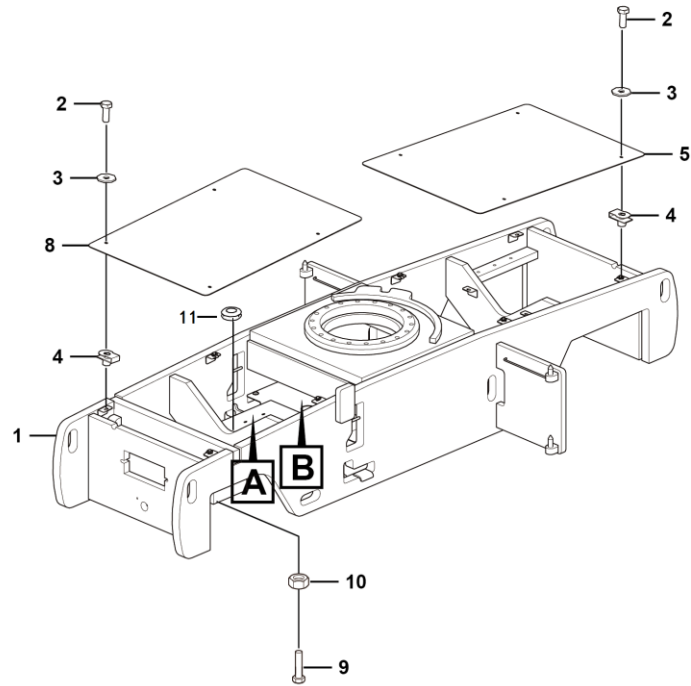
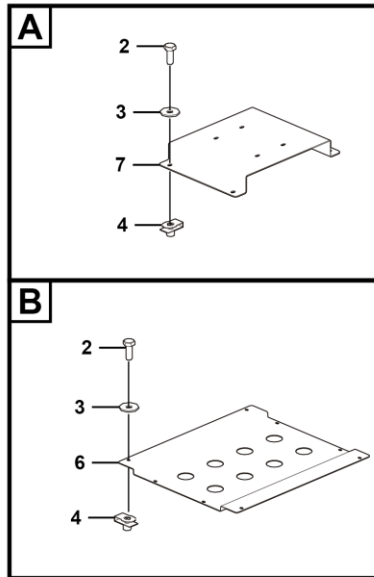
Key	Part No.	Description	Spare parts Y/N	Qty	Remarks
1	25050002801	Rear axle delivery assembly	Y	1	
2	4013010291	Nut gb6170-m8flznyc-8-480	Y	4	
3	4011010708	Bolt gb5783-m8*30flznyc-8.8-480	Y	4	
4	4015010289	Washer gb96.1-8flznyc-480	Y	4	
5	4015010279	Washer gb97.1-10flznyc-480	Y	1	
6	4011010722	Bolt gb5783-m10*25flznyc-8.8-480	Y	1	
7	25200000641	Pin, 10*70	Y	1	
8	4011010732	Bolt gb5782-m10*50flznyc-8.8-480	Y	6	
9	4015010278	Washer gb96.1-10flznyc-480	Y	6	
10	25050000091	Plate	Y	2	
11	25040001411	Axle connecting pin, ϕ 38.1*515*12	Y	1	
12	25050000131	Plate	Y	2	
13	25050000141	Adjusting shim, 395*50*1	Y	8	
14	4110702895	Tyre9-14.5-12esl-5(rear wheel black)	Y	2	
15	25050000661	Tapered hexagon nut 5/8-18unf	Y	18	
16	25040001421	Adjusting washer, ϕ 65*1.5	Y	2	

D
CHASSIS SYSTEM



LINGONG GROUP JINAN HEAVY MACHINERY CO., LTD.

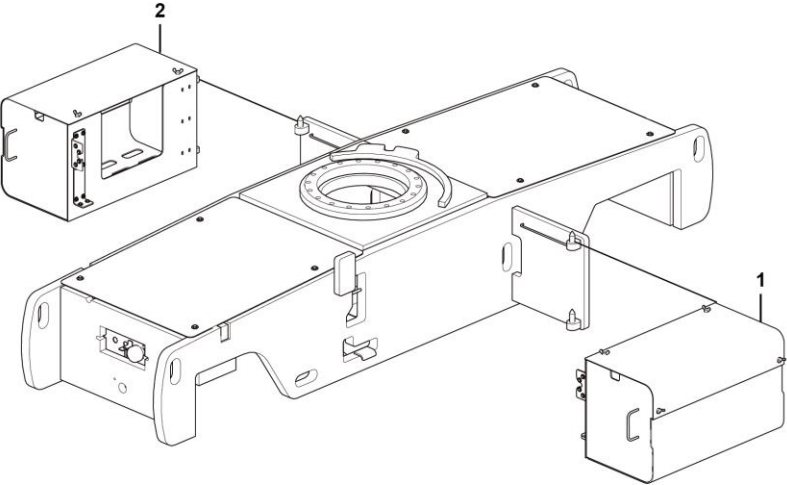
Chassis assembly



Key	Part No.	Description	Spare parts Y/N	Qty	Remarks
1	25160010226	Chassis	Y	1	
2	4011010711	Bolt gb5783-m8*20flznyc-8.8-480	Y	16	
3	4015010289	Washer gb96.1-8flznyc-480	Y	16	
4	4013010383	Reed nut qc339-m8flznyc-8-480	Y	16	
5	25160001271	Plate	Y	1	
6	25160029081	Plate	Y	1	
7	25160029091	Plate	Y	1	
8	25160001261	Plate	Y	1	
9	4011011349	Bolt gb5783-m20*75flznyc-10.9-480	Y	4	
10	4013010377	Nut gb6170-m20flznyc-10-480	Y	4	
11	25160029101	Rubber sleeve	Y	2	



Battery and oil box side

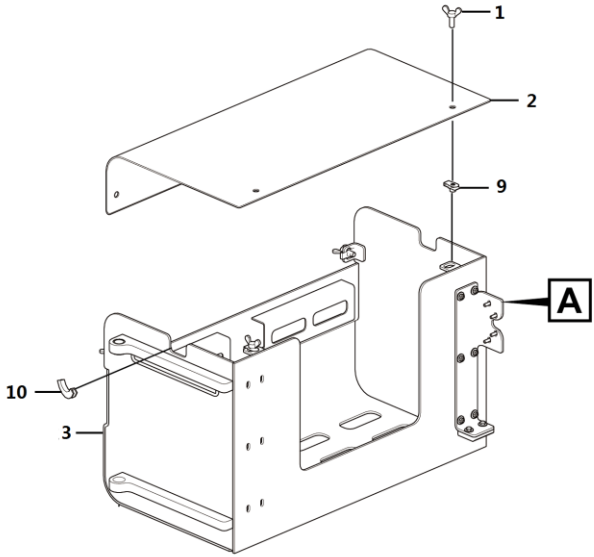
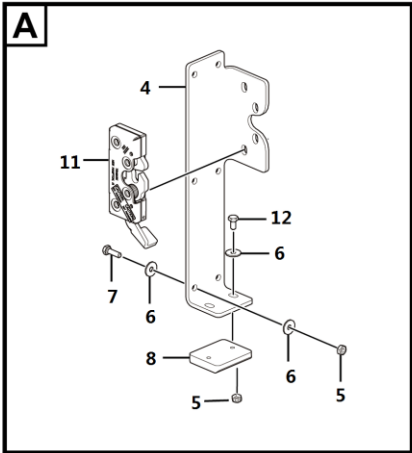


D0800-251800064.S

Key	Part No.	Description	Spare parts Y/N	Qty	Remarks
1	25180000601	Assembly	N	1	
2	25180000631	Assembly	N	1	

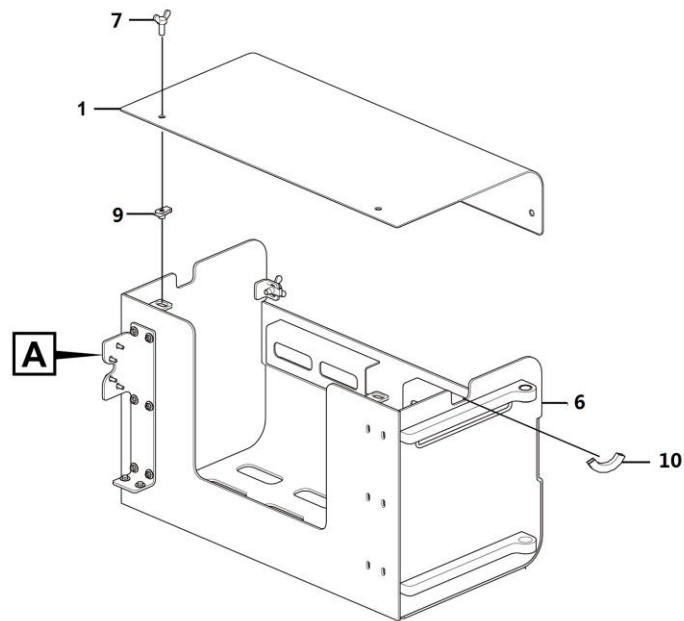
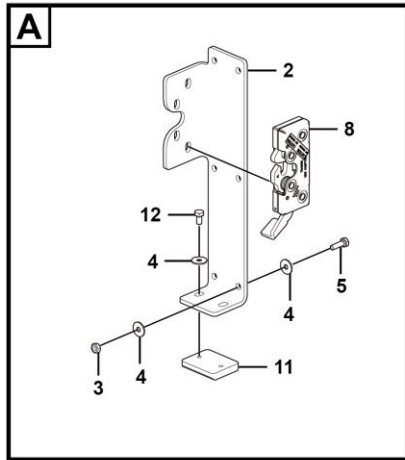


Assembly



Key	Part No.	Description	Spare parts Y/N	Qty	Remarks
1	4190000727	Bolt	Y	4	
2	25180000571	Plate	Y	1	
3	25180016732	Battery box delivery assembly	Y	1	
4	25180000611	Plate	N	1	
5	4013010293	Nut gb6170-m6flznyc-8-480	Y	8	
6	4015010296	Washer gb96.1-6flznyc-480	Y	18	
7	4011010731	Bolt gb5783-m6*25flznyc-8.8-480	Y	10	
8	25180001501	Plate	Y	1	
9	4013010370	Reed nut qc339-m10flznyc-8-480	Y	4	
10	25200001871	Clip rubber bar	Y	2	
11	4190002249	Left side lock (trimark 50075), fuel tank side body	Y	1	
12	4014010057	Screw	Y	2	

Right battery box assembly



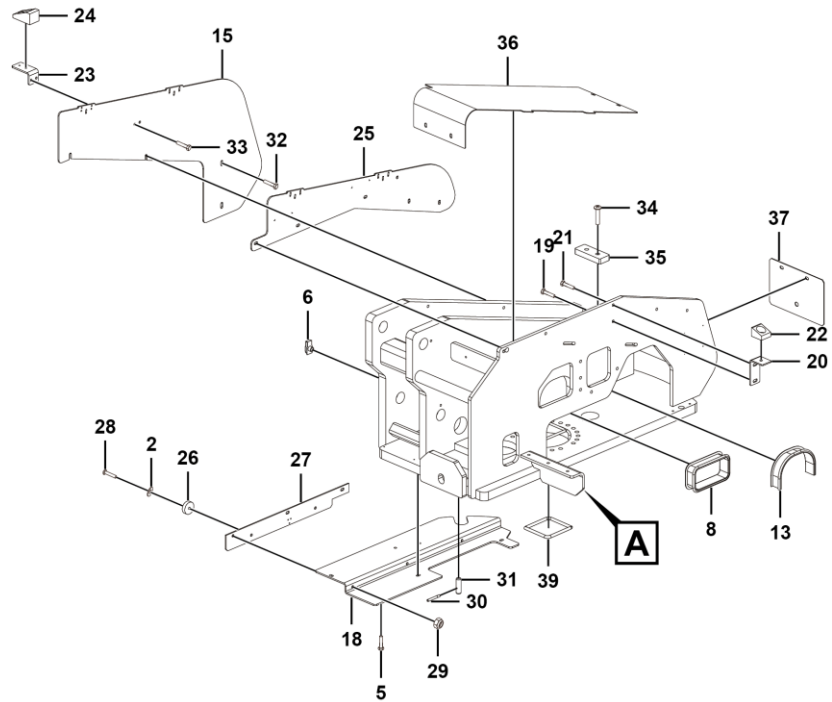
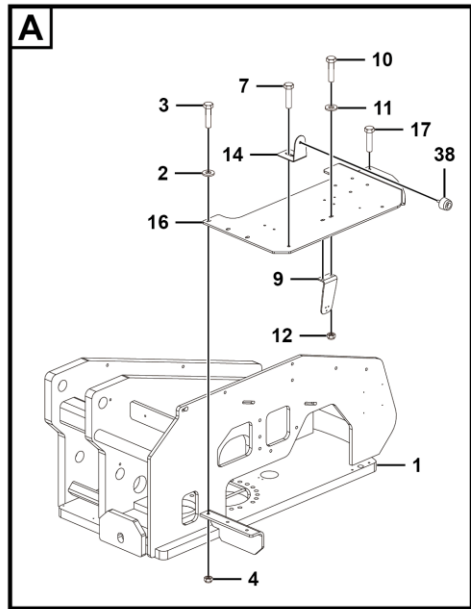
Key	Part No.	Description	Spare parts Y/N	Qty	Remarks
1	25180000571	Plate	Y	1	
2	25180000561	Plate	N	1	
3	4013010293	Nut gb6170-m6flznyc-8-480	Y	8	
4	4015010296	Washer gb96.1-6flznyc-480	Y	18	
5	4011010731	Bolt gb5783-m6*25flznyc-8.8-480	Y	10	
6	25180016742	Right battery box delivery assembly	Y	1	
7	4190000727	Bolt	Y	4	
8	4190002250	Right side lock (trimark 50076), battery box side body	Y	1	
9	4013010370	Reed nut qc339-m10flznyc-8-480	Y	4	
10	25200001871	Clip rubber bar	Y	2	
11	25180001501	Plate	Y	1	
12	4014010057	Screw	Y	2	

H SWING SYSTEM



LINGONG GROUP JINAN HEAVY MACHINERY CO., LTD.

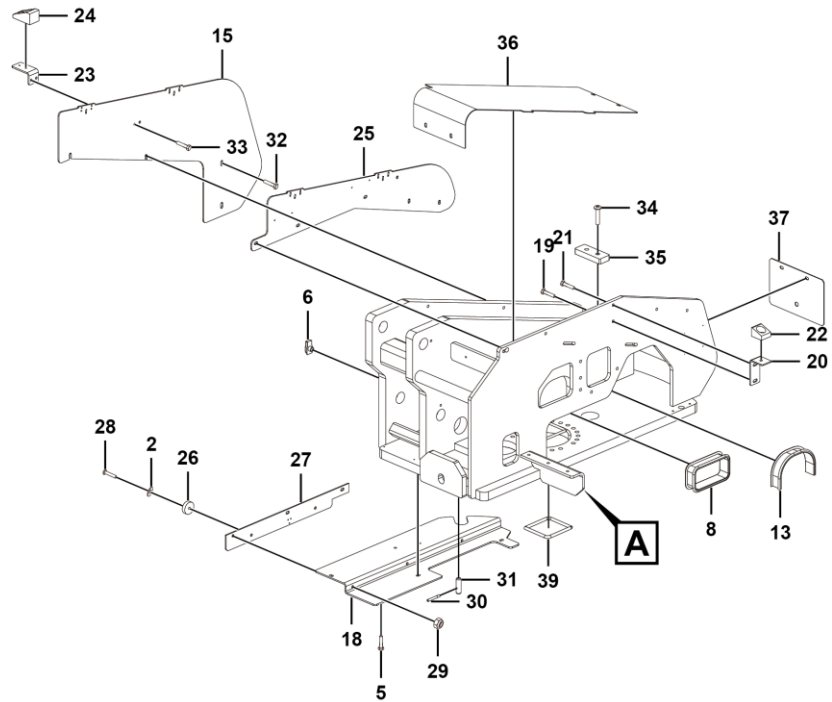
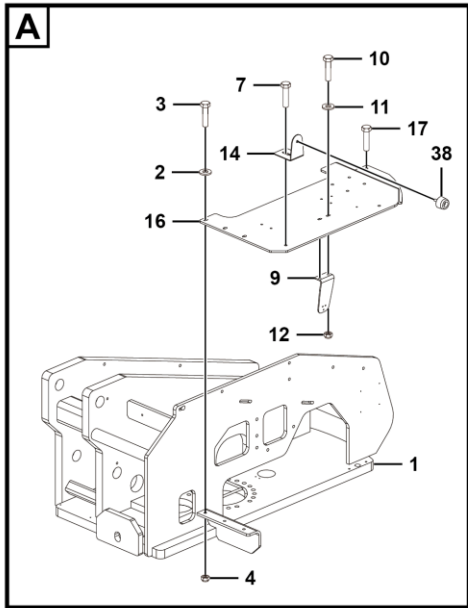
Turntable assembly



H1400-2523000001.S1c

Key	Part No.	Description	Spare parts Y/N	Qty	Remarks
1	25230000305	Swing system	Y	1	
2	4015000197	Washer gb96.1-10epzn-300hv	Y	43	
3	4011000085	Bolt gb5783-m10*35epzn-8.8	Y	3	
4	4013000189	Nut gb889.1-m10epzn-8	Y	25	
5	4011000081	Bolt gb5783-m10*20epzn-8.8	Y	9	
6	4014010060	Nut	Y	4	
7	4011000084	Bolt gb5783-m10*30epzn-8.8	Y	5	
8	25230001211	Rubber sleeve	Y	1	
9	25230000321	Plate	Y	1	
10	4011000106	Bolt gb5783-m8*25epzn-8.8	Y	2	
11	4015000256	Washer gb96.1-8epzn-300hv	Y	2	
12	4013000210	Nut gb889.1-m8epzn-8	Y	2	
13	25230001201	Rubber sleeve	Y	1	
14	25230000252	Plate	Y	2	
15	25230001262	Plate	Y	1	
16	25230001314	Left mounting plate	Y	1	
17	4011000082	Bolt gb5783-m10*25epzn-8.8	Y	2	
18	25230001222	Plate	Y	1	
19	4011000504	Bolt gb5782-m10*40epzn-8.8	Y	5	
20	25230001272	Plate	Y	1	
21	4011000451	Bolt gb5782-m10*45epzn-8.8	Y	1	
22	25230000392	Block	Y	1	

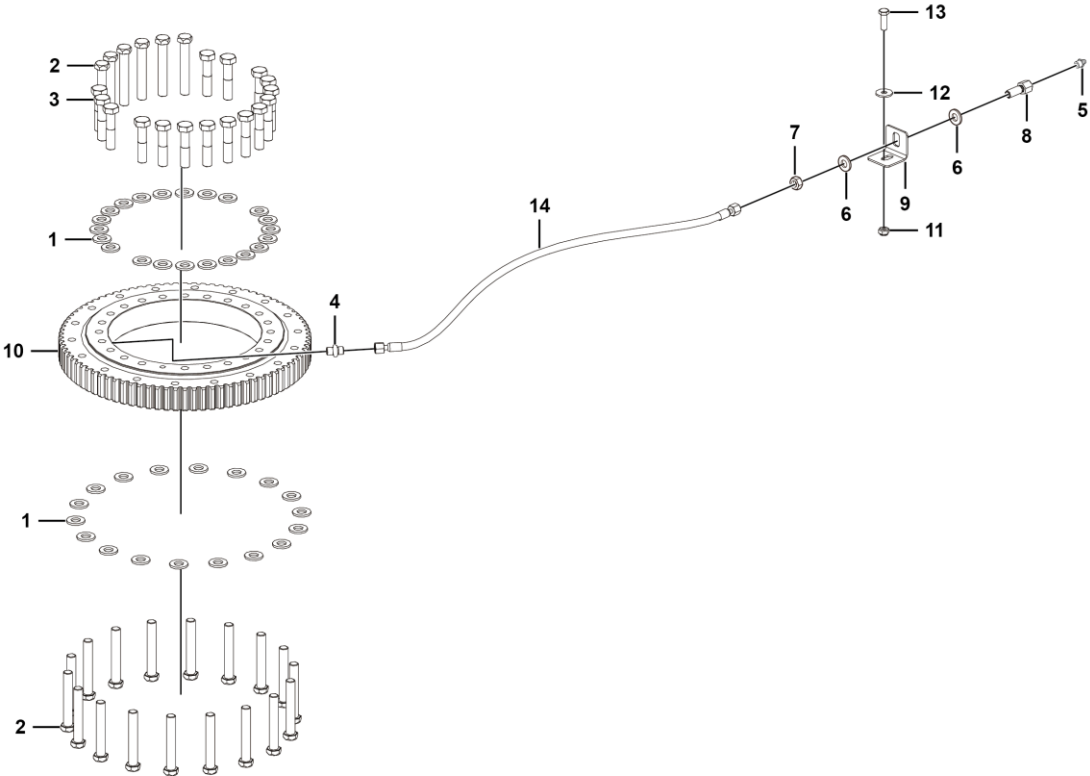
Turntable assembly



H1400-2523000001.S1c

Key	Part No.	Description	Spare parts Y/N	Qty	Remarks
23	25230001321	Mounting plate	Y	1	
24	25230000343	Block	Y	1	
25	25230000203	Plate	Y	1	
26	25230001193	Block	Y	2	
27	25230000261	Plate	Y	1	
28	4014010067	Screw	Y	2	
29	4013000007	Nut gb6170-m10epzn-8	Y	2	
30	25230000311	Rob	Y	1	
31	25230000292	Pin	Y	1	
32	4011000497	Bolt gb5782-m10*65epzn-8.8	Y	4	
33	4011000475	Bolt gb16674-m10*30epzn-8.8	Y	3	
34	4014000135	Screw gb70.1-m10*40epzn-8.8	Y	2	
35	25230000232	Cushion block	Y	1	
36	25230000212	Plate	Y	1	
37	25230000224	Plate	Y	1	
38	25230000281	Damping pad, fuel tank	Y	2	
39	25230001301	Bellows	Y	2	

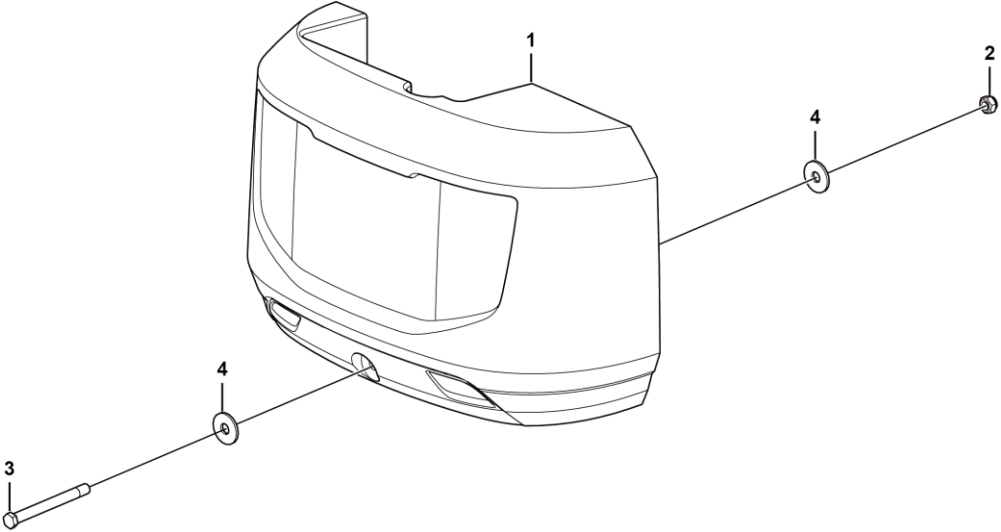
Swing mechanism assembly



H1500-2525000001.S1b

Key	Part No.	Description	Spare parts Y/N	Qty	Remarks
1	4015000181	Washer gb97.1-16epzn-300hv	Y	40	
2	4011000577	Bolt gb5782-m16*100epzn-10.9	Y	24	
3	4011000824	Bolt gb5782-m16*70epzn-10.9	Y	16	
4	25250000071	Straight fitting, 14-17	Y	1	
5	4030000065	Grease fitting jb7940.1-m10*1	Y	1	
6	4015000188	Washer gb96.1-14epzn-300hv	Y	2	
7	4013000190	Nut gb6173-m14*1.5epzn-05	Y	1	
8	25250000021	Bulkhead fitting	Y	1	
9	25250000031	Plate	Y	1	
10	4110001391	Roller swing	Y	1	
11	4013000189	Nut gb889.1-m10epzn-8	Y	1	
12	4015000197	Washer gb96.1-10epzn-300hv	Y	1	
13	4011000084	Bolt gb5783-m10*30epzn-8.8	Y	1	
14	4030100127	Lubricating pipe	Y	1	

Counterweight



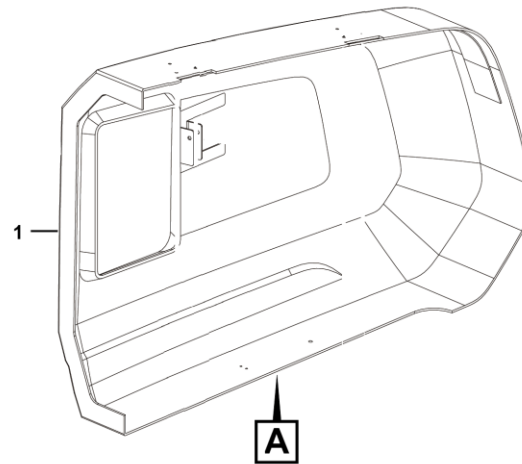
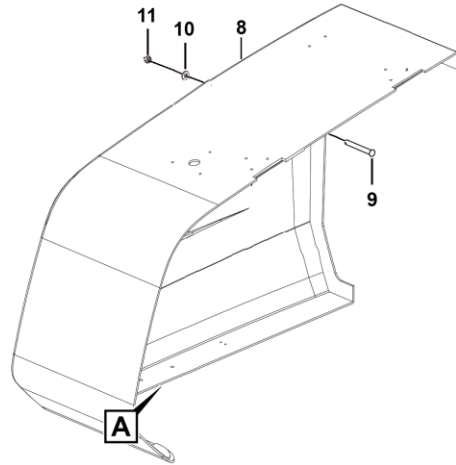
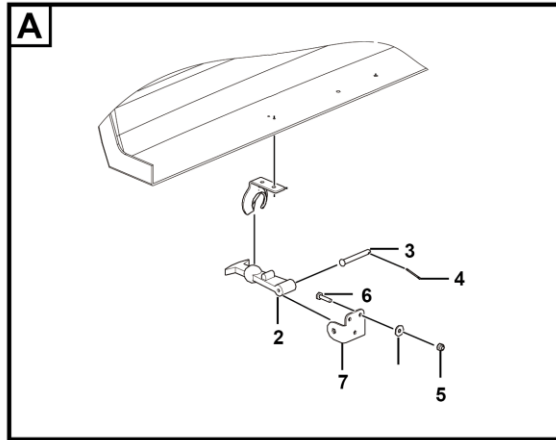
H1600-2528000012.S

I
COVER ACCESSORY



LINGONG GROUP JINAN HEAVY MACHINERY CO., LTD.

Assembly

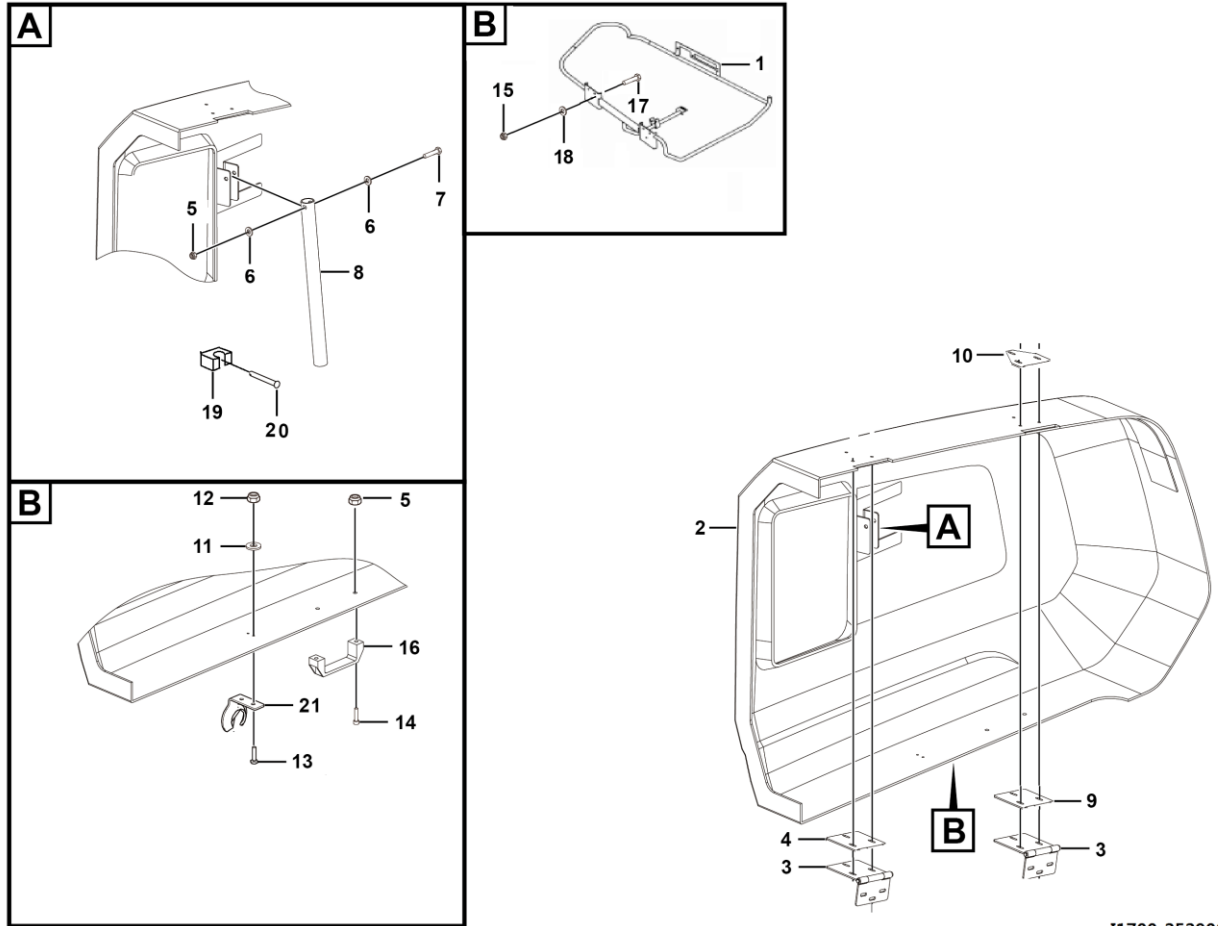


I1700-2529001315.S

Key	Part No.	Description	Spare parts Y/N	Qty	Remarks
1	25290012084	Assembly	Y	1	
2	4110000028	Rubber drag hook	Y	2	
3	4016010175	Pin gb882-b5*40flznyc-35-480	Y	2	
4	4016010174	Pin gb91-1.6*16flznyc-q235a-480	Y	2	
5	4013010360	Nut gb889.1-m4flznyc-8-480	Y	6	
6	4014010133	Screw gb818-m4*16flznyc-4.8-480	Y	6	
7	25290002731	Mounting plate, rubber handle mounting plate	Y	2	
8	25290011903	Assembly	Y	1	
9	4011010731	Bolt gb5783-m6*25flznyc-8.8-480	Y	12	
10	4015010296	Washer gb96.1-6flznyc-480	Y	24	
11	4013010300	Nut gb889.1-m6flznyc-8-480	Y	12	



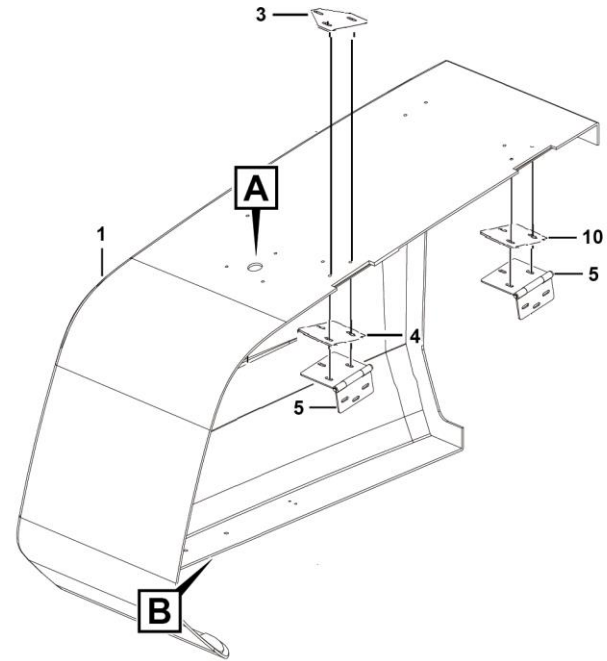
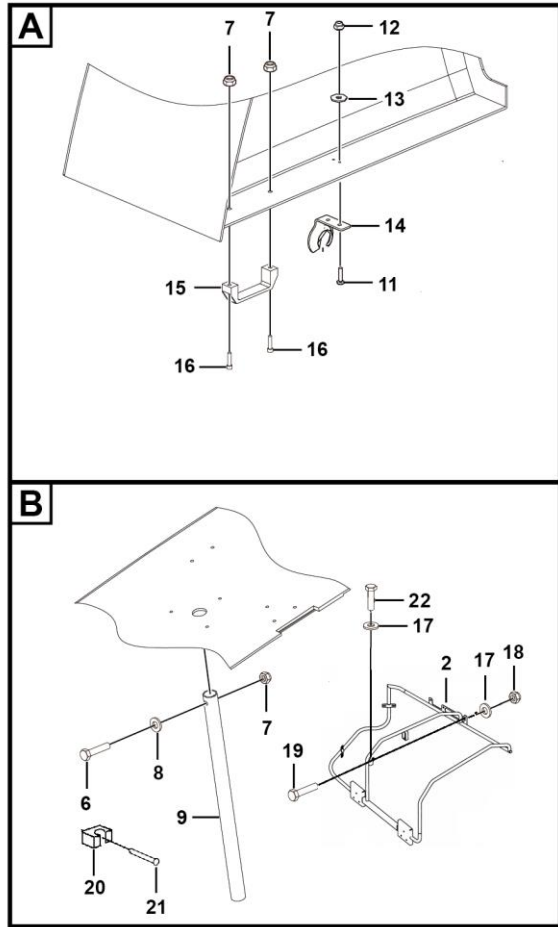
Assembly



I1700-2529001190.S3b

Key	Part No.	Description	Spare parts Y/N	Qty	Remarks
1	25290011862	Assembly	N	1	
2	25290011942	Cover	N	1	
3	25290001472	Hinge	Y	2	
4	25290012132	Plate	N	1	
5	4013010297	Nut gb889.1-m8flznyc-8-480	Y	3	
6	4015010280	Washer gb97.1-8flznyc-480	Y	1	
7	4011010919	Bolt gb5782-m8*55flznyc-8.8-480	Y	1	
8	25290011922	Tube	N	1	
9	25290012142	Plate	N	1	
10	25290011991	Plate	N	2	
11	4015010365	Washer gb96.1-4flznyc-300hv-480	Y	2	
12	4013010360	Nut gb889.1-m4flznyc-8-480	Y	2	
13	4014010121	Screw gb818-m4*20flznyc-4.8-480	Y	2	
14	4014010179	Screw gb70.1-m8*30flznyc-8.8-480	Y	2	
15	4013010300	Nut gb889.1-m6flznyc-8-480	Y	6	
16	4190002605	Handle	Y	1	
17	4011010998	Bolt gb5783-m6*35flznyc-8.8-480	Y	6	
18	4015010296	Washer gb96.1-6flznyc-480	Y	12	
19	25290011811	Clip	N	1	
20	4014010112	Screw gb819.1-m6*20flznyc-4.8	Y	1	
21	25290002721	Plate	Y	1	

Assembly



I1700-2529001208.S3b

Key	Part No.	Description	Spare parts Y/N	Qty	Remarks
1	25290012112	Cover	N	1	
2	25290012062	Assembly	N	1	
3	25290011991	Plate	N	2	
4	25290012132	Plate	N	1	
5	25290001472	Hinge	Y	2	
6	4011010919	Bolt gb5782-m8*55flznyc-8.8-480	Y	1	
7	4013010297	Nut gb889.1-m8flznyc-8-480	Y	3	
8	4015010280	Washer gb97.1-8flznyc-480	Y	2	
9	25290012032	Tube	N	1	
10	25290012142	Plate	N	1	
11	4014010121	Screw gb818-m4*20flznyc-4.8-480	Y	2	
12	4013010360	Nut gb889.1-m4flznyc-8-480	Y	2	
13	4015010365	Washer gb96.1-4flznyc-300hv-480	Y	2	
14	25290002721	Plate	Y	1	
15	4190002605	Handle	Y	1	
16	4014010179	Screw gb70.1-m8*30flznyc-8.8-480	Y	2	
17	4015010296	Washer gb96.1-6flznyc-480	Y	16	
18	4013010300	Nut gb889.1-m6flznyc-8-480	Y	7	
19	4011010998	Bolt gb5783-m6*35flznyc-8.8-480	Y	6	
20	25290011811	Clip	N	1	
21	4014010486	Screw gb819.1-m6*25flznyc-8.8-480	Y	1	
22	4011010747	Bolt gb5783-m6*16flznyc-8.8-480	Y	4	

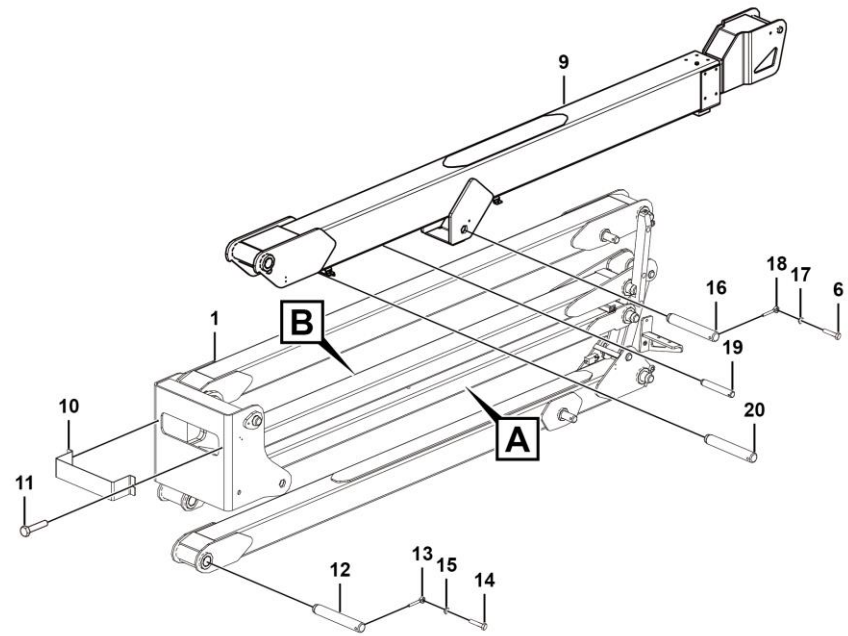
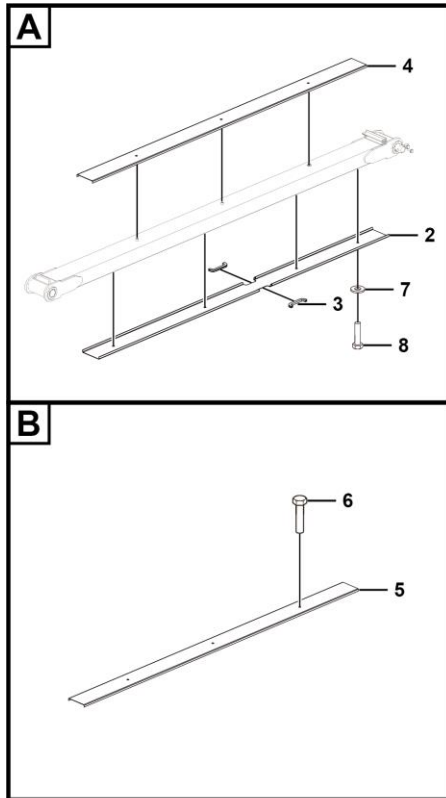
Cover accessory

J
BOOM SYSTEM



LINGONG GROUP JINAN HEAVY MACHINERY CO., LTD.

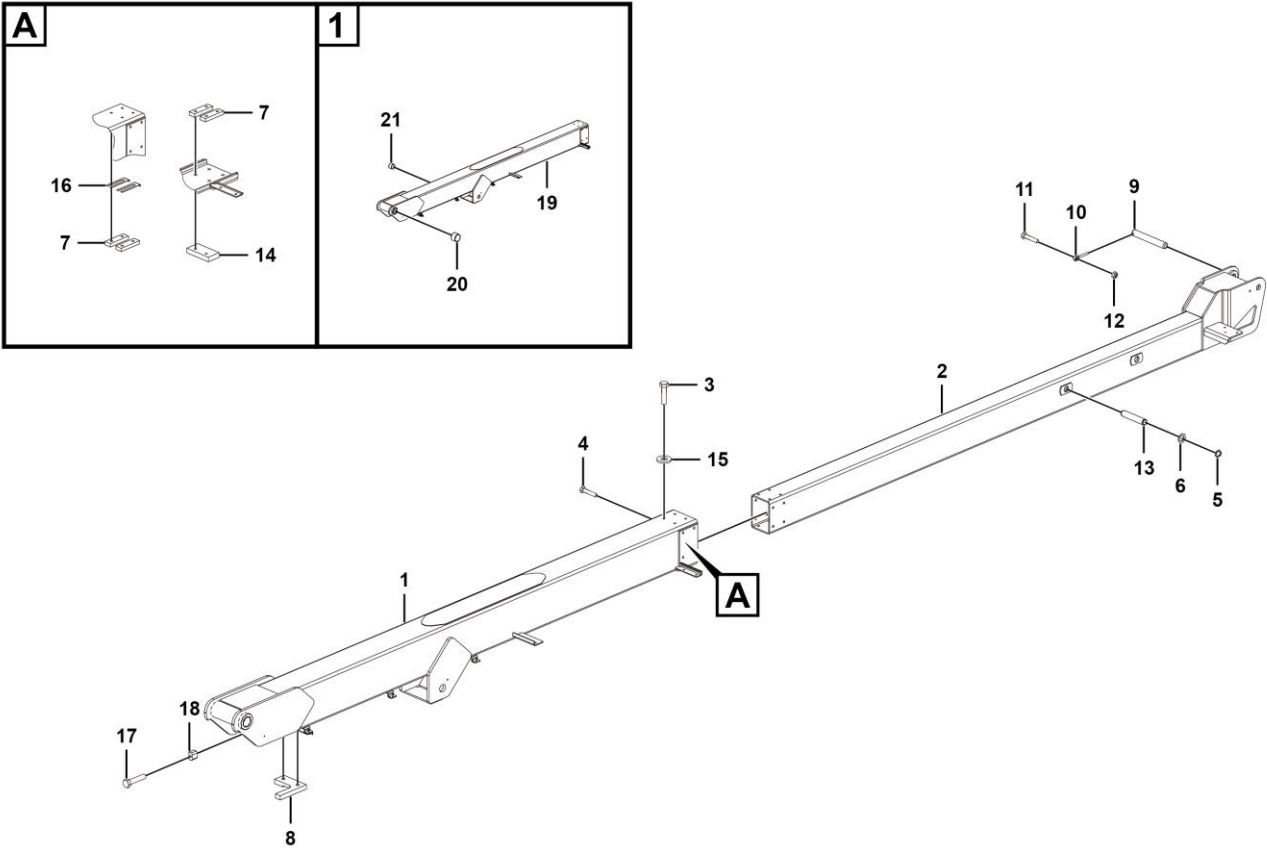
Arm rest assembly



J1800-2522000001.S1c

Key	Part No.	Description	Spare parts Y/N	Qty	Remarks
1	25220000671	Boom components	N	1	
2	25220001021	Pipe cover of folding jib	Y	1	
3	25200001351	Clip strip	Y	8	
4	25220001031	Pipe cover of folding jib	Y	1	
5	25220001041	Pipe cover of folding jib	Y	1	
6	4011000082	Bolt gb5783-m10*25epzn-8.8	Y	6	
7	4015000197	Washer gb96.1-10epzn-300hv	Y	12	
8	4011000080	Nut gb5783-m10*16epzn-8.8	Y	7	
9	25220000681	Telescopic boom assembly	N	1	
10	25220001051	Cover	Y	1	
11	4011000081	Bolt gb5783-m10*20epzn-8.8	Y	2	
12	25220003091	Shaft 50.8*312*13*297	Y	2	
13	25220000611	Pin ϕ 33-70	Y	3	
14	4011000089	Bolt gb5783-m12*30epzn-8.8	Y	3	
15	4015000168	Washer gb97.1-12epzn-300hv	Y	3	
16	25220001071	Shaft 1.75 " x9.25 "	Y	1	
17	4015000162	Washer gb97.1-10epzn-300hv	Y	3	
18	25200000641	Pin, 10*70	Y	3	
19	25220003101	Leveling cylinder shaft	Y	2	
20	25220001061	Shaft 1.75 " x11.88 "	Y	1	

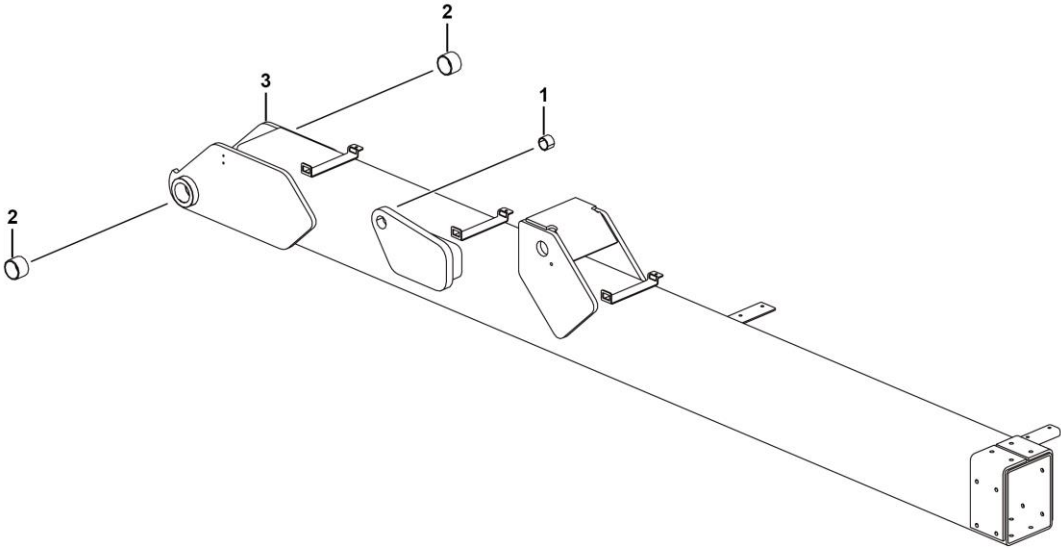
Arm assembly



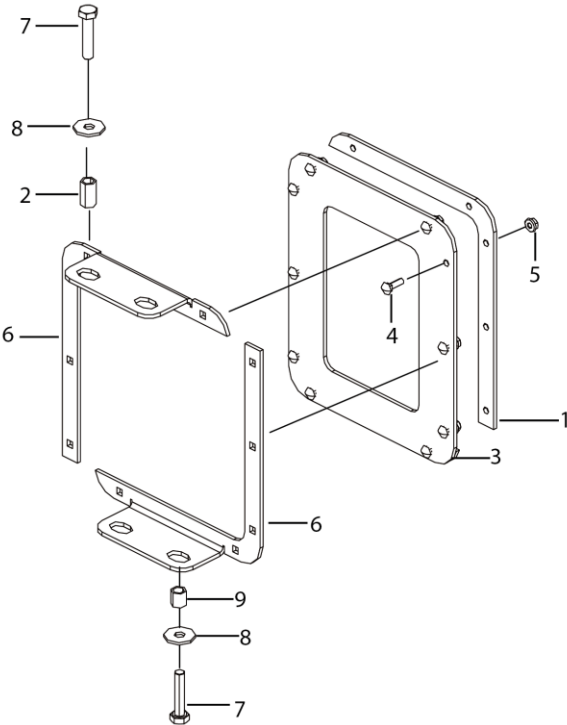
J1802-2522000068.S1b

Key	Part No.	Description	Spare parts Y/N	Qty	Remarks
1	25220000691	Main boom assembly	Y	1	
2	25220000852	Extension boom	Y	1	
3	4011000082	Bolt gb5783-m10*25epzn-8.8	Y	18	
4	4011000084	Bolt gb5783-m10*30epzn-8.8	Y	10	
5	4015010251	Snap ring jb4342-32-65mn	Y	4	
6	25220000991	Washer, φ15*2	Y	4	
7	25220003122	Slider, for fixing support plate	Y	14	
8	25220003111	Slider, for fixing support plate	Y	1	
9	25220001001	Shaft 1.25 " x8.88 "	Y	1	
10	25200000641	Pin, 10*70	Y	1	
11	4011000184	Bolt gb5783-m10*40epzn-8.8	Y	3	
12	4013000189	Nut gb889.1-m10epzn-8	Y	1	
13	25220000982	Shaft 1.25 " x6.36 "	Y	2	
14	25220001011	Cushion block, for fixing support plate	Y	1	
15	4015000162	Washer gb97.1-10epzn-300hv	Y	33	
16	25220002821	Shim, for fixing support plate	Y	14	
17	4011000048	Bolt gb5782-m10*50epzn-8.8	Y	2	
18	25220001102	Cylinder pressure plate, for fixing and pressing telescopic cylinder	Y	2	
19	25220000702	Main boom	Y	1	
20	2522000021	Shaft sleeve 2 " *2.25 " *1.5 "	Y	2	
21	25220000661	Shaft sleeve 1.25 " *1.5 " *1 "	Y	1	

Main boom assembly

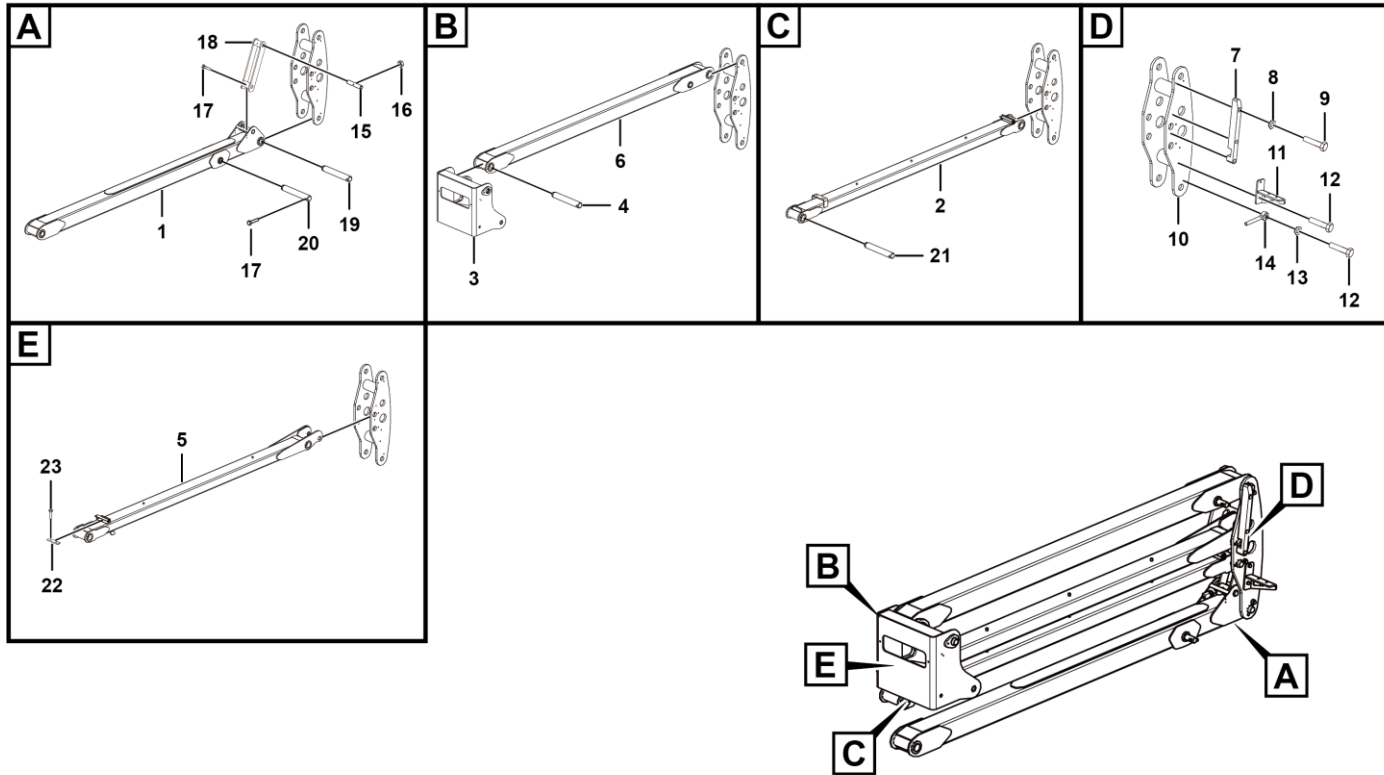


Shield assembly



J1800-2522001186.S

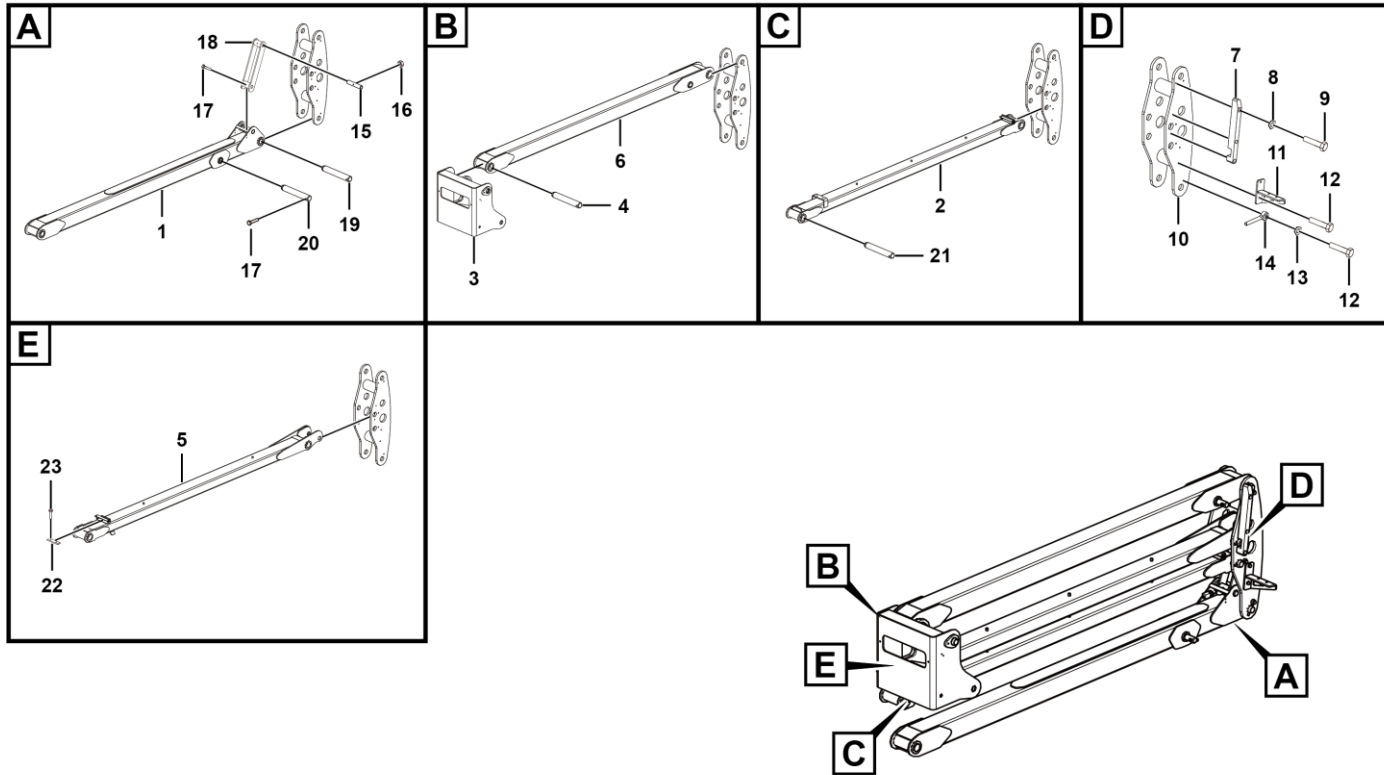
Arm



J1801-2522000301.S1a

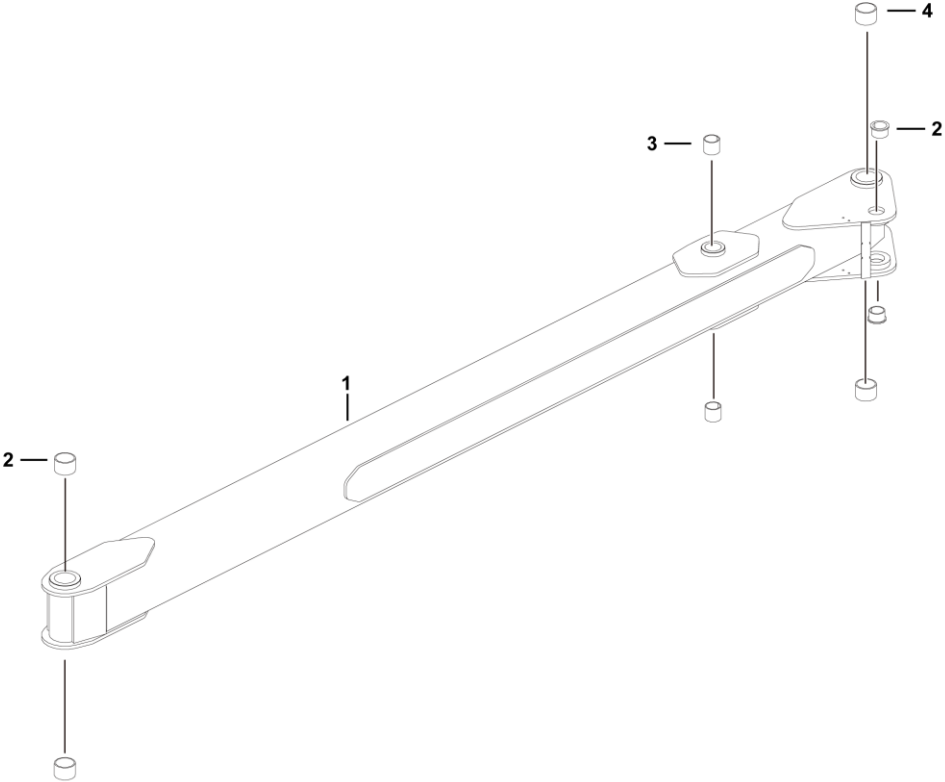
Key	Part No.	Description	Spare parts Y/N	Qty	Remarks
1	25220000191	Lower 2nd jib assembly	Y	1	
2	25220000343	Lower 1st jib assembly	Y	1	
3	25220021001	Upper pivot distribution assembly	Y	1	
4	25220000631	Shaft 2 " x24 "	Y	1	
5	25220000431	Upper 1st jib assembly	Y	1	
6	25220000481	Upper 2nd jib assembly	Y	1	
7	25220001111	Spacer block, fixing pivot	Y	1	
8	4015010279	Washer gb97.1-10flznyc-480	Y	3	
9	4011010727	Bolt gb5783-m10*35flznyc-8.8-480	Y	3	
10	25220000022	Welding, pivot of folding jib	Y	1	
11	25220002981	Welding, support	Y	1	
12	4011010978	Bolt gb5783-m12*30flznyc-8.8-480	Y	8	
13	4015010282	Washer gb97.1-12flznyc-480	Y	8	
14	25220000611	Pin φ33-70	Y	6	
15	25220000621	Shaft 1.5 " x7.5 "	Y	2	
16	4013010296	Nut gb889.1-m10flznyc-8	Y	6	
17	4011010724	Bolt gb5782-m10*75flznyc-8.8	Y	6	
18	25220000531	Welding, connecting rod of pivot	Y	1	
19	25220000601	Shaft 2 " x10.88 "	Y	4	
20	25220000651	Shaft 1.5 " x13.88 "	Y	2	
21	25220000641	Shaft 2 " x12.88 "	Y	1	
22	25220000591	Cushion block	Y	1	

Arm

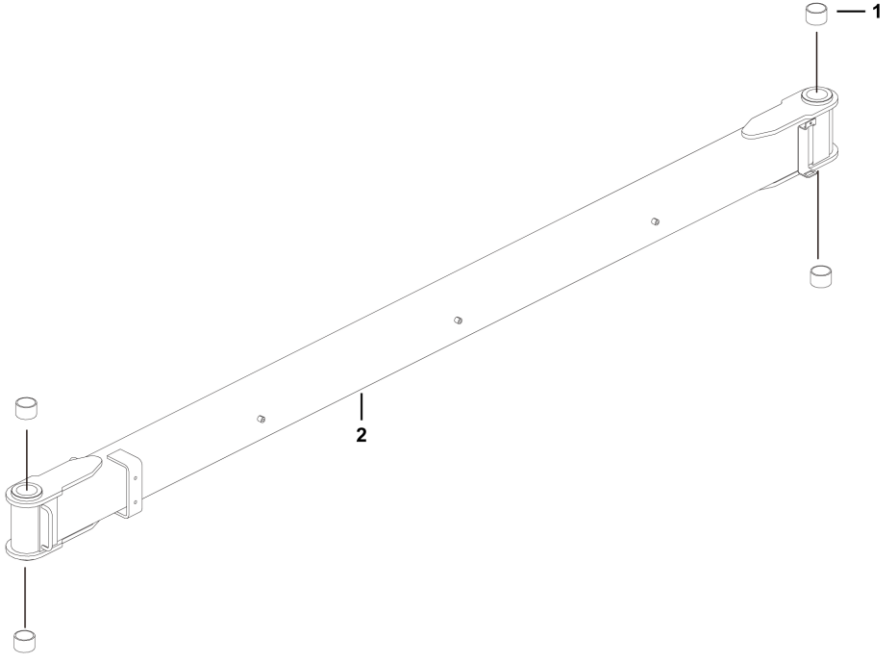


J1801-2522000301.S1a

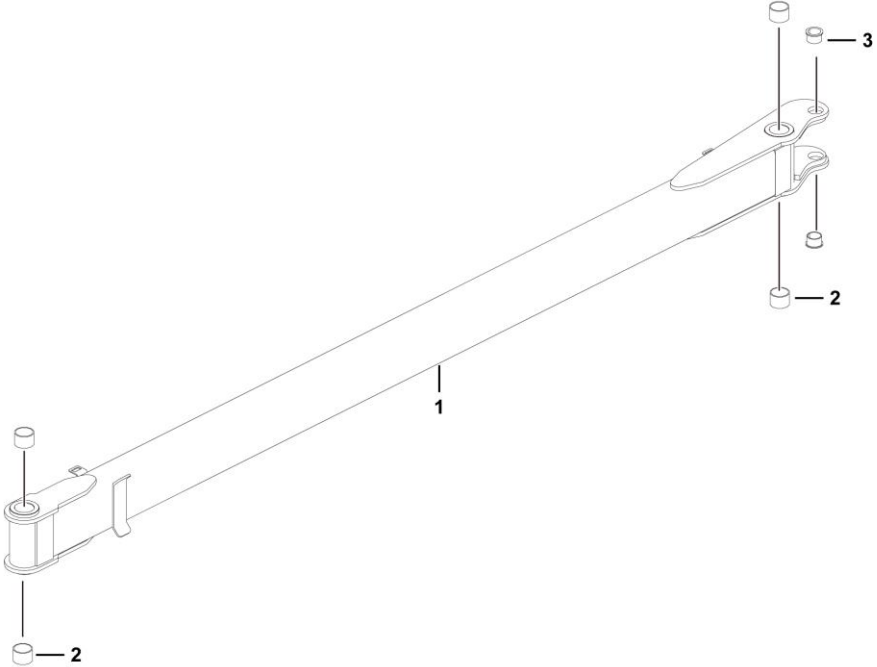
Lower 2nd jib assembly



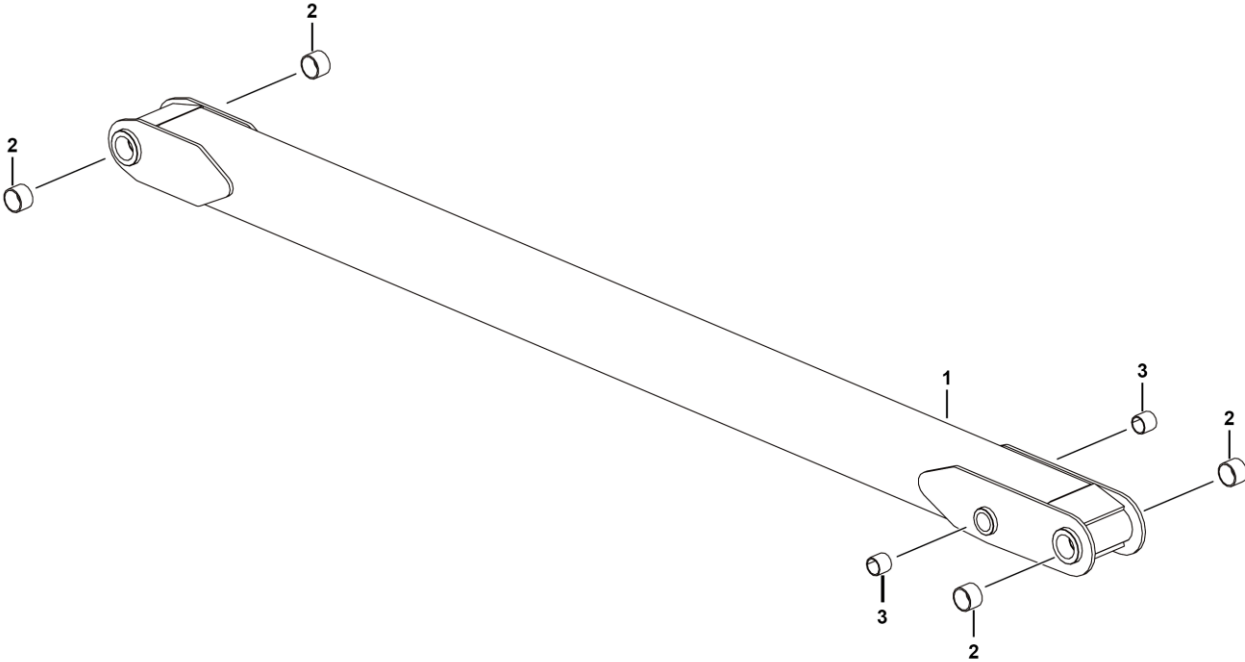
Lower 1st jib assembly



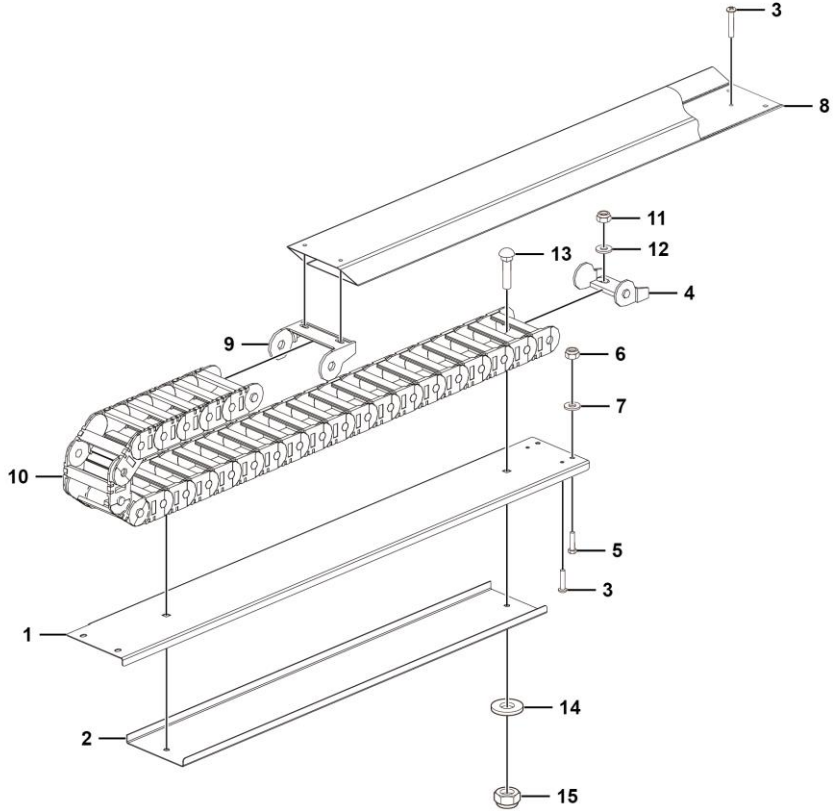
Upper 1st jib assembly



Upper 2nd jib assembly



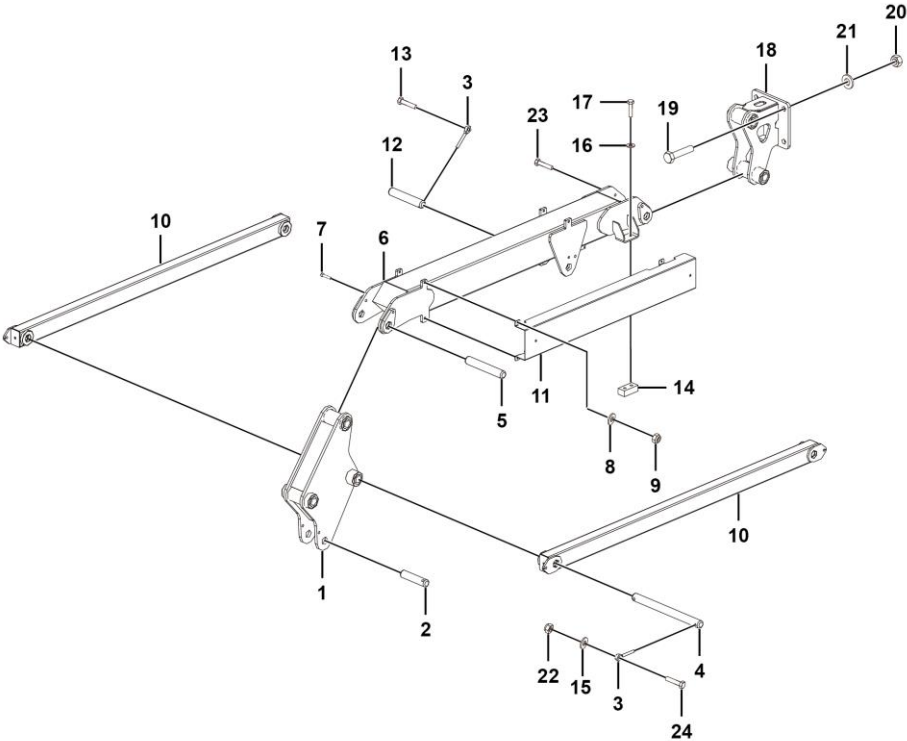
Power track system assembly



J2000-2527000001.S1a

Key	Part No.	Description	Spare parts Y/N	Qty	Remarks
1	25240000682	Support plate of cable carrier	Y	1	
2	25240000701	Welding, cover plate weldment	Y	1	
3	4014000063	Screw gb818-m6*25epzn-4.8	Y	5	
4	4190707432	Joint fa	Y	1	
5	4011010507	Bolt gb14-m10*35epzn-8.8	Y	2	
6	4013000189	Nut gb889.1-m10epzn-8	Y	2	
7	4015000162	Washer gb97.1-10epzn-300hv	Y	2	
8	25240000672	Wiring aluminum pipe	Y	1	
9	4190707433	Joint ma	Y	1	
10	4190707431	Chain 1555.030.100.63	Y	26	
11	4013000211	Nut gb889.1-m6epzn-8	Y	5	
12	4015000198	Washer gb96.1-6epzn-300hv	Y	8	
13	4011000105	Bolt gb5783-m8*20epzn-8.8	Y	2	
14	4015000072	Washer gb97.1-8epzn-300hv	Y	4	
15	4013000210	Nut gb889.1-m8epzn-8	Y	2	

Arm assembly

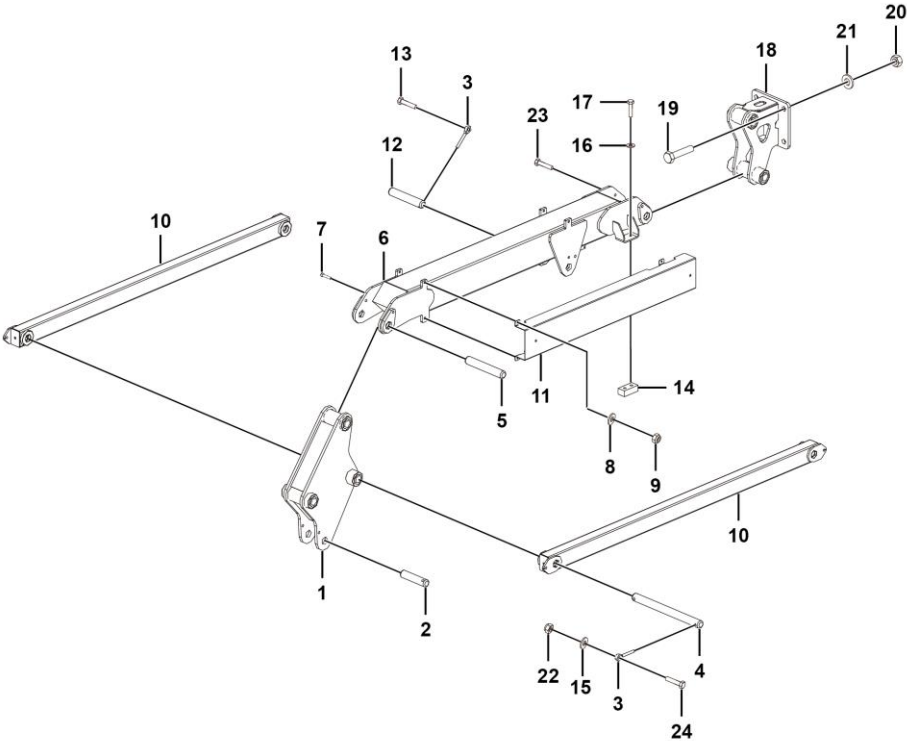


J2400-2527000030.B1c

Key	Part No.	Description	Spare parts Y/N	Qty	Remarks
1	25240000021	Lower connecting bracket assembly	Y	1	
2	25240000391	Shaft 1.25 " x5.25 "	Y	1	
3	25200000641	Pin, 10*70	Y	8	
4	25240000351	Shaft 1.25 " x14.45 "	Y	2	
5	25240000361	Shaft 1.25 " x7.88 "	Y	2	
6	25270000293	Upper link	N	1	
7	4011010436	Bolt gb12-m6*25epzn-8.8	Y	4	
8	4015000207	Washer gb97.1-6epzn-300hv	Y	4	
9	4013000211	Nut gb889.1-m6epzn-8	Y	4	
10	25240000232	Welding, lower link	Y	2	
11	25240000381	Guard plate, pipeline	Y	1	
12	25240000371	Shaft 1.25 " x7.00 "	Y	1	
13	4011000184	Bolt gb5783-m10*40epzn-8.8	Y	2	
14	25240000402	Cushion block, for jib limiting	Y	2	
15	4015000162	Washer gb97.1-10epzn-300hv	Y	10	
16	4015000072	Washer gb97.1-8epzn-300hv	Y	4	
17	4011000106	Bolt gb5783-m8*25epzn-8.8	Y	4	
18	25270000311	Upper connecting bracket assembly	N	1	
19	4011000438	Bolt gb5782-m16*100epzn-10.9	Y	4	
20	4013010220	Nut gb889.1-m16epzn-10	Y	4	
21	4015000181	Washer gb97.1-16epzn-300hv	Y	4	
22	4013000189	Nut gb889.1-m10epzn-8	Y	8	

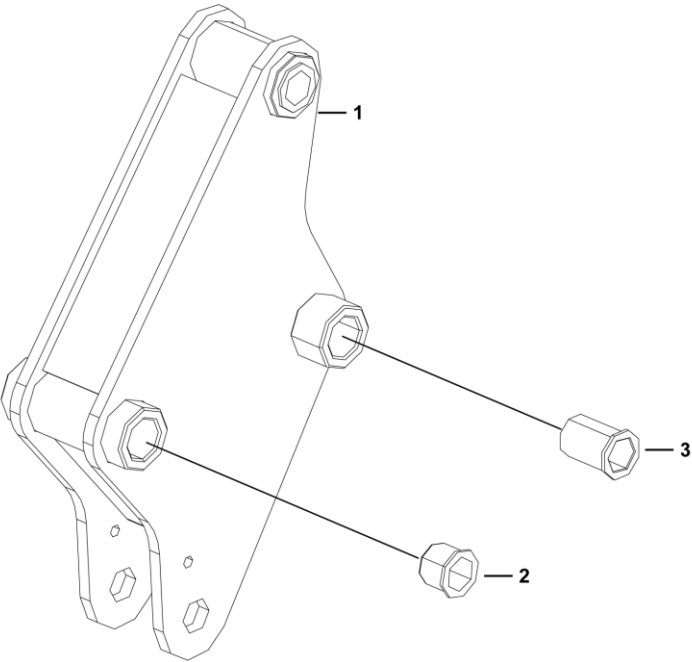


Arm assembly



J2400-2527000030.B1c

Link span



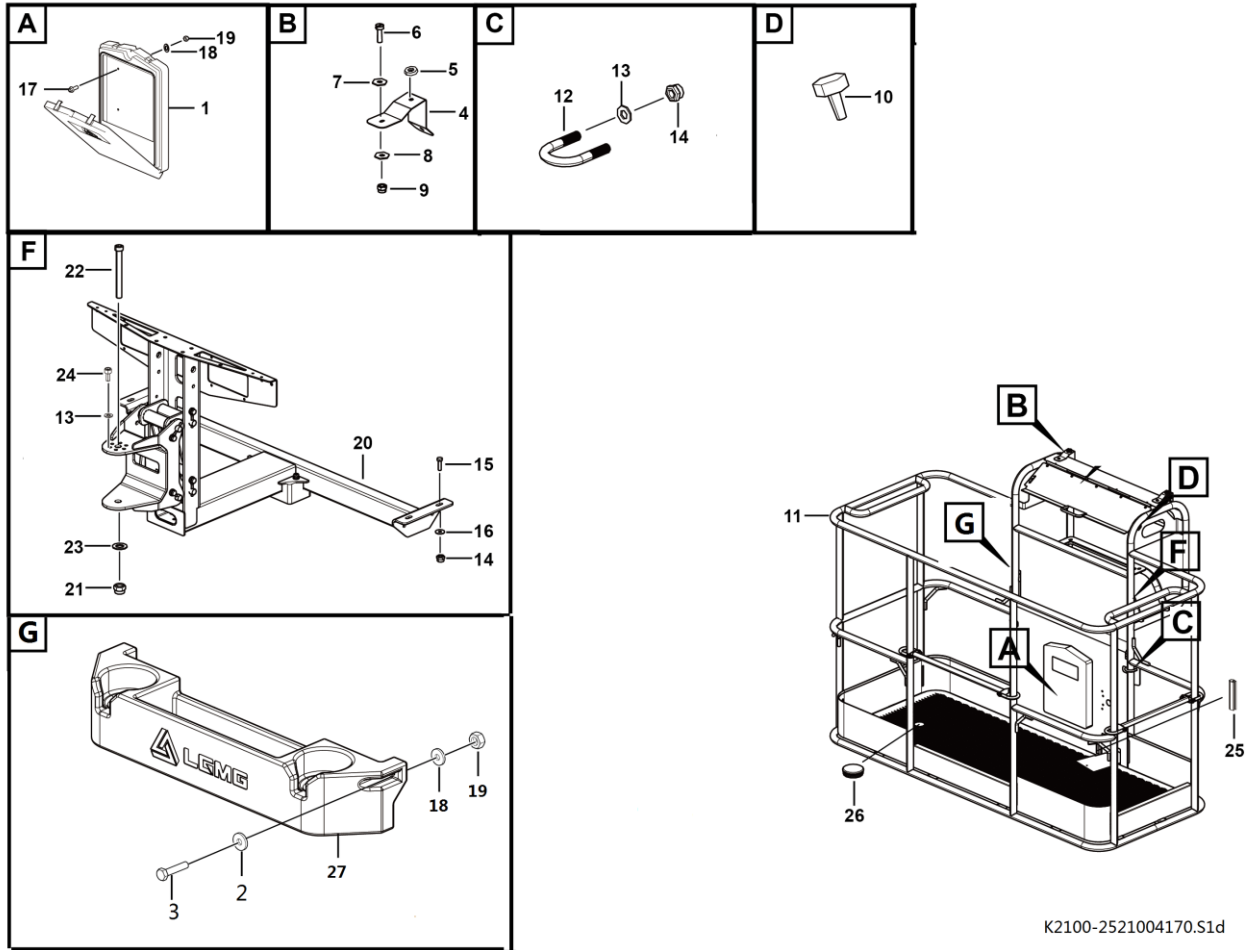
J2401-252400002.B

K
PLATFORM ASSEMBLY



LINGONG GROUP JINAN HEAVY MACHINERY CO., LTD.

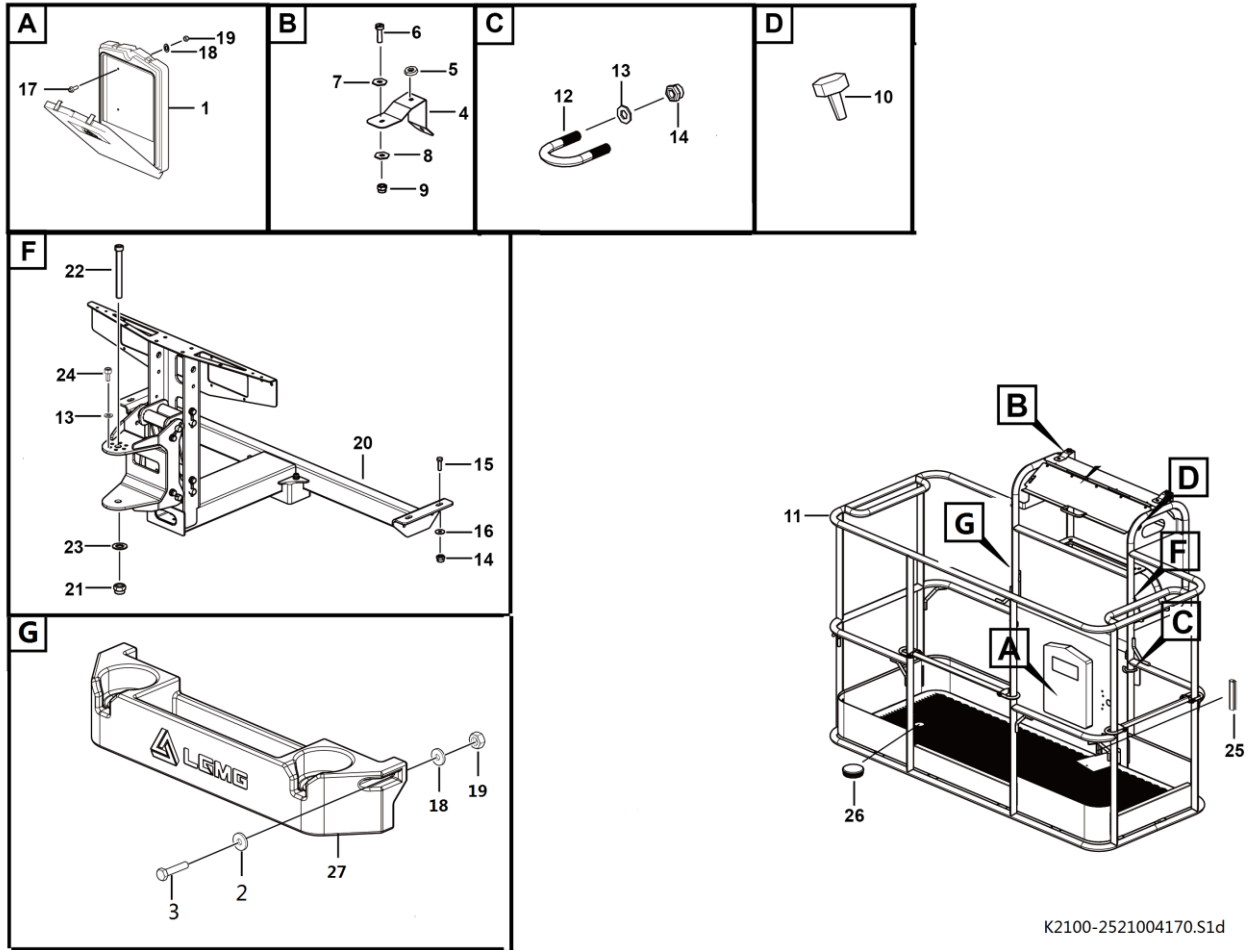
Platform assembly



K2100-2521004170.S1d

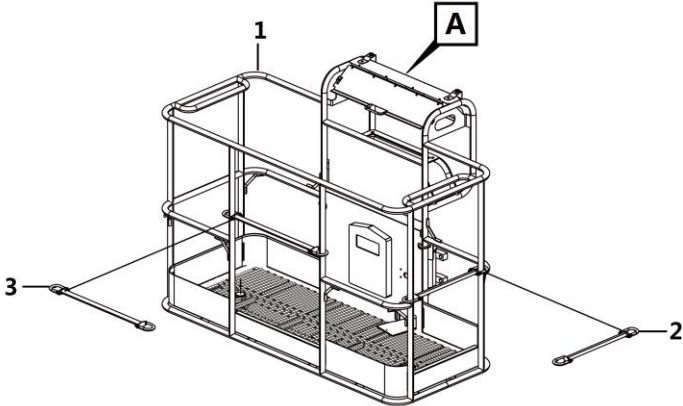
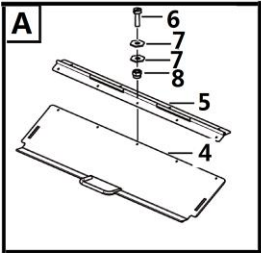
Key	Part No.	Description	Spare parts Y/N	Qty	Remarks
1	25210000821	Manual box	Y	1	
2	4015010296	Washer gb96.1-6flznyc-480	Y	4	
3	4014010252	Screwgb70.1-m6*35flznyc-8.8-480	N	4	
4	25210039911	Forming (stamping, etc.), support plate, platform cover plate	Y	2	
5	4190704298	Foot pad sff-023	Y	2	
6	4014010341	Bolts	Y	4	
7	4015010365	Washer gb96.1-4flznyc-300hv-480	Y	4	
8	4015010290	Washer gb97.1-4flznyc-480	Y	4	
9	4013010360	Nut gb889.1-m4flznyc-8-480	Y	4	
10	4019010257	Foot pad sr 6449-049080011407	Y	2	
11	25210050661	Platform frame distribution assembly	Y	1	
12	25210033691	U-bolt, 35	Y	2	
13	4015010339	Washer gb97.1-10flznyc-300hv-480	Y	10	
14	4013010296	Nut gb889.1-m10flznyc-8	Y	8	
15	4011010727	Bolt gb5783-m10*35flznyc-8.8-480	Y	4	
16	4015010278	Washer gb96.1-10flznyc-480	Y	8	
17	4011010757	Bolt gb16674-m6*20flznyc-8.8	Y	4	
18	4015010284	Washer gb97.1-6flznyc-480	Y	8	
19	4013010299	Nut gb889.1-m6flznyc-8	Y	8	
20	25210041711	Platform support assembly	N	1	
21	4013010401	Nut gb889.1-m20flznyc-10-480	Y	1	
22	4014010456	Bolt gb70.1-m20*240flznyc-10.9	Y	1	

Platform assembly

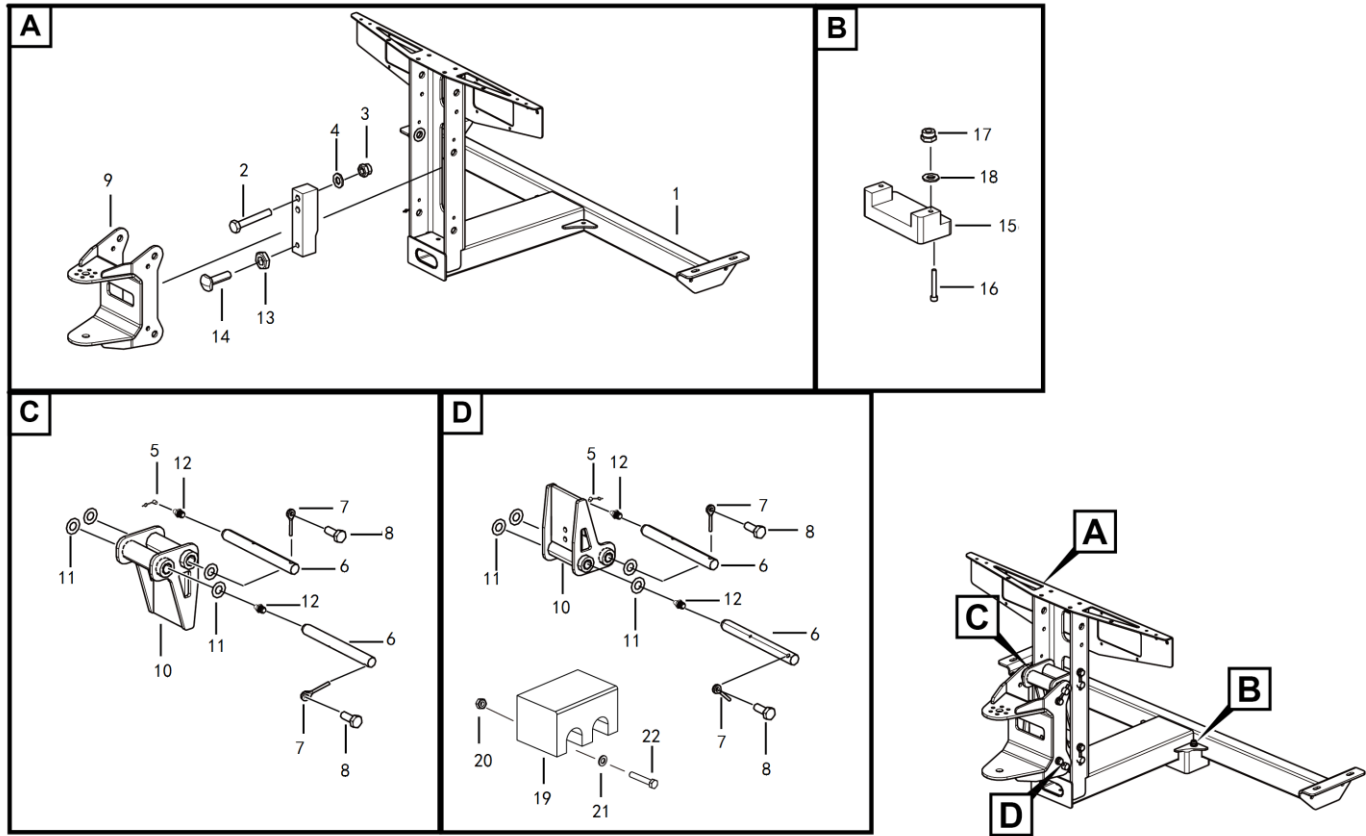


K2100-2521004170.S1d

Platform delivery assembly



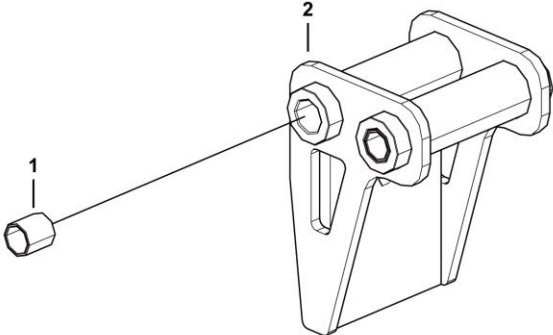
Platform support assembly



K2100-2521004171.S1b

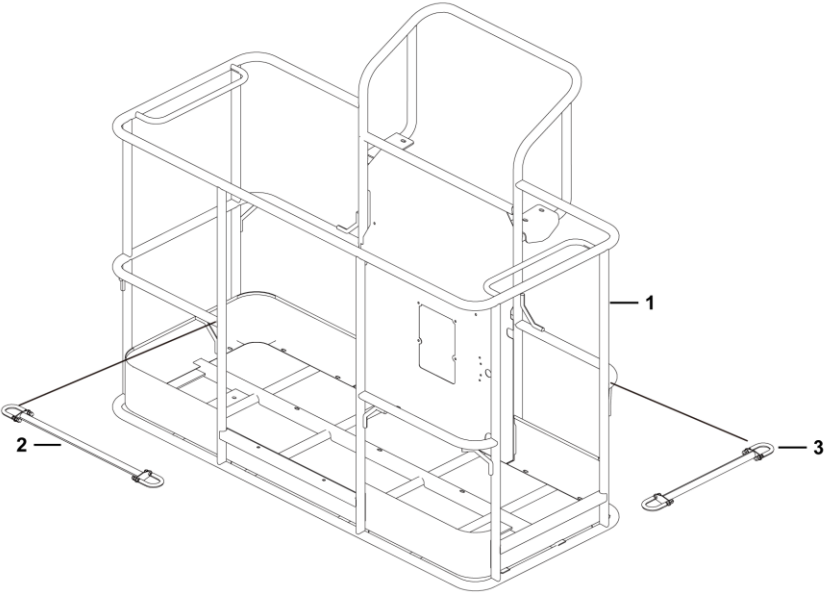
Key	Part No.	Description	Spare parts Y/N	Qty	Remarks
1	25210039535	Support	Y	1	
2	4011010956	Bolt gb5782-m12x70flznyc-8.8-480	Y	2	
3	4013010301	Nut gb889.1-m12flznyc-8-480	Y	2	
4	4015010340	Washer gb97.1-12flznyc-300hv-480	Y	2	
5	4030100411	Grease fitting protective cap-m6	Y	4	
6	25210039381	Transition bracket mounting pin	Y	4	
7	25200008311	Pin, 6.5*46	Y	4	
8	4011010748	Bolt gb5783-m10*20flznyc-8.8-480	Y	4	
9	25210041722	Welding, swing motor mounting bracket	Y	1	
10	25210039442	Welding, triangle bracket assembly	Y	2	
11	25210041851	Adjusting shim, φ40*1	Y	8	
12	4090100154	Grease fitting	Y	4	
13	4013010315	Nut gb6172.1-m12flznyc-8-480	Y	1	
14	25210036551	Adjusting bolt m12*45	Y	1	
15	25210021682	Anti-collision seat, platform bottom anti-collision block	Y	1	
16	4014010426	Screwgb70.1-m10*80flznyc-8.8-480	Y	2	
17	4013010372	Nut gb889.1-m10flznyc-8-480	Y	2	
18	4015010339	Washer gb97.1-10flznyc-300hv-480	Y	2	
19	25210049862	Plate	Y	1	
20	4013010297	Nut gb889.1-m8flznyc-8-480	Y	2	
21	4015010280	Washer gb97.1-8flznyc-480	Y	4	
22	4014010420	Screw gb70.1-m8*40flznyc-8.8-480	Y	2	

Bracket assembly

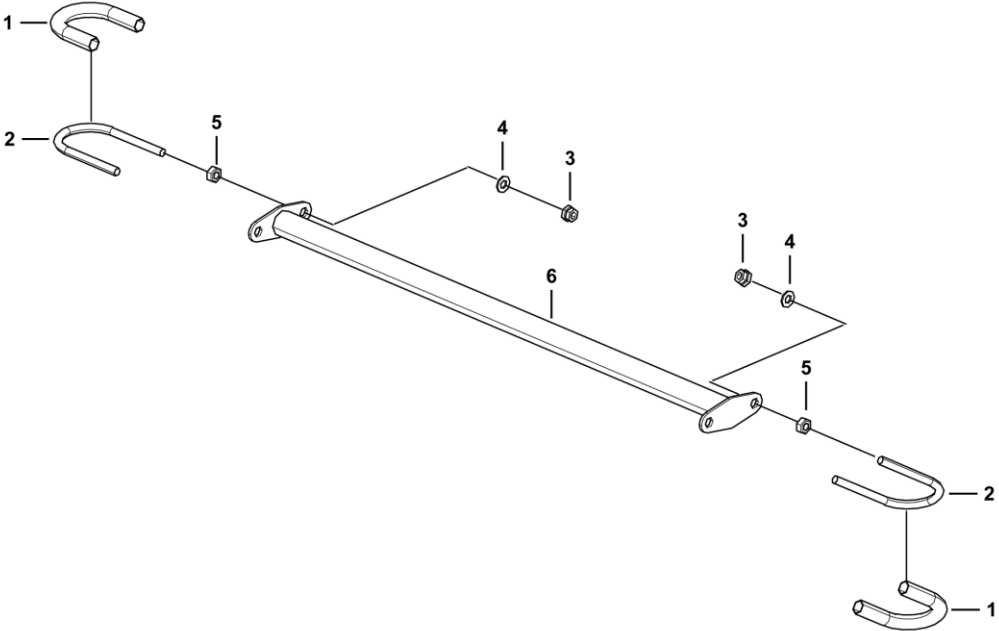


K2100-2521003944.S

Frame



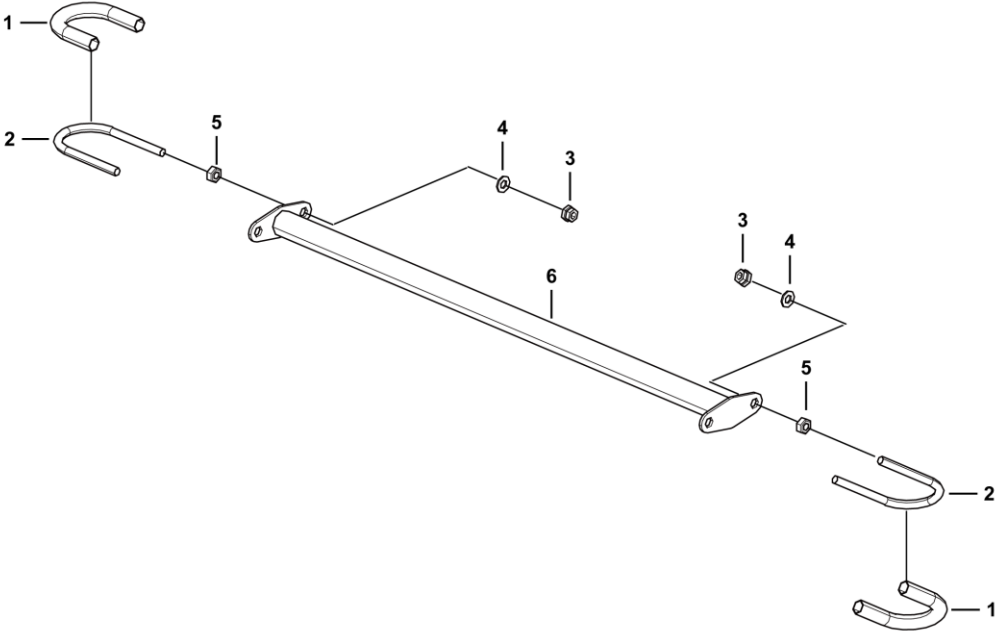
U-shaped lifting cross bar assembly



K2100-2521003957.S



U-shaped lifting cross bar assembly



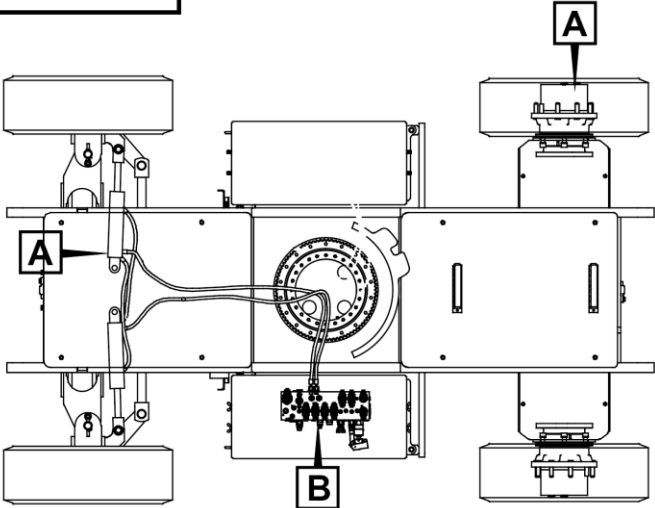
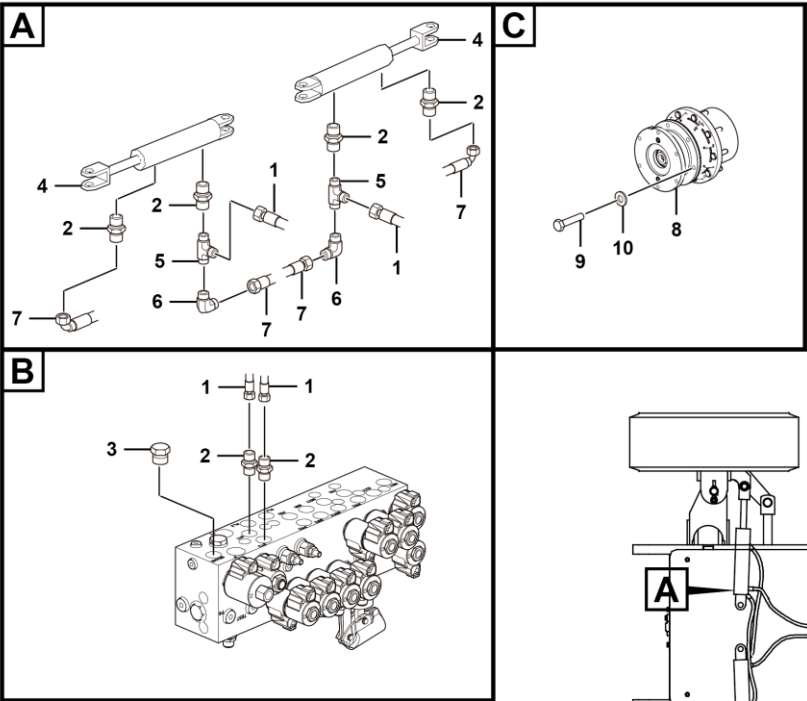
K2100-2521003960.S

L
HYDRAULIC SYSTEM



LINGONG GROUP JINAN HEAVY MACHINERY CO., LTD.

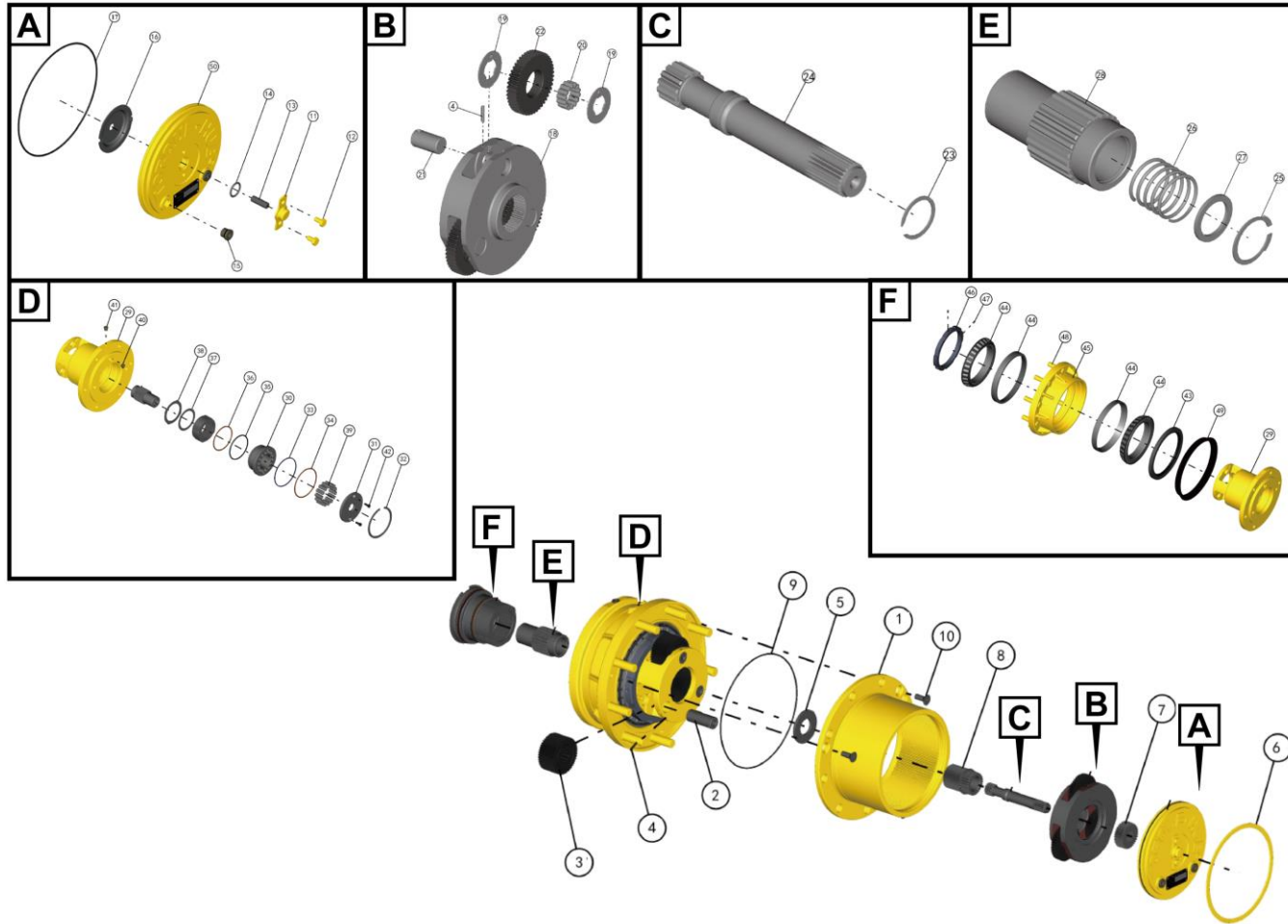
Drive hydraulic assembly



L2300-2507000401. S1a

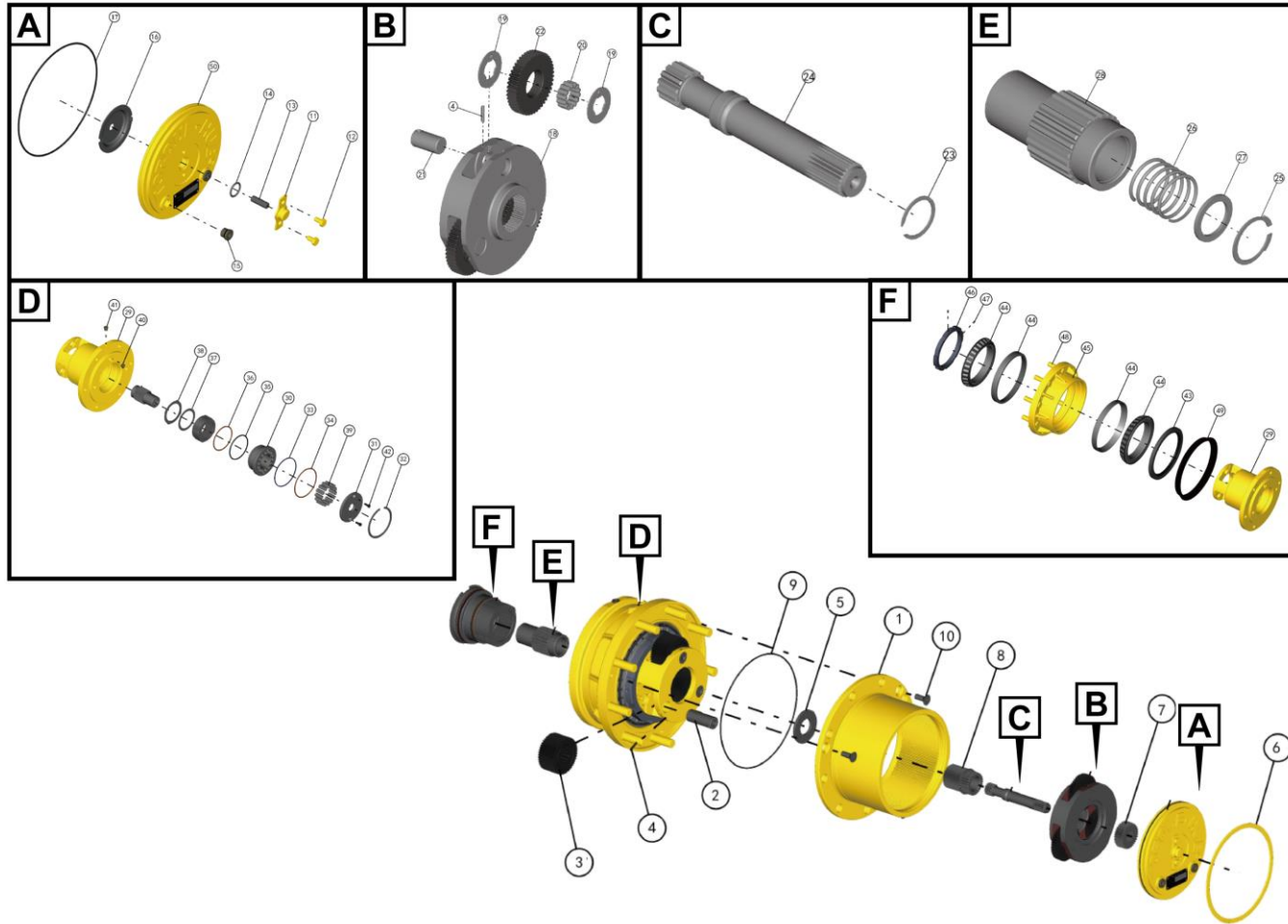
Key	Part No.	Description	Spare parts Y/N	Qty	Remarks
1	4120002220	Pipe	Y	2	
2	4120001368	Fitting, hydraulic 1cb-14-04wd	Y	6	
3	4120002088	Plug	Y	1	
4	4120704841	Cylinder	Y	2	
5	4190001020	Tee fitting cc-14	Y	2	
6	4120000868	Right-angle fitting 2c9-14z	Y	2	
7	4120002221	Pipe	Y	2	
8	4120703559	Wheel drive	Y	2	
9	4014010078	Screw 5/8-11unf-2b*1.5inch-10.9	Y	12	
10	4015000181	Washer gb97.1-16epzn-300hv	Y	12	

Wheel drive



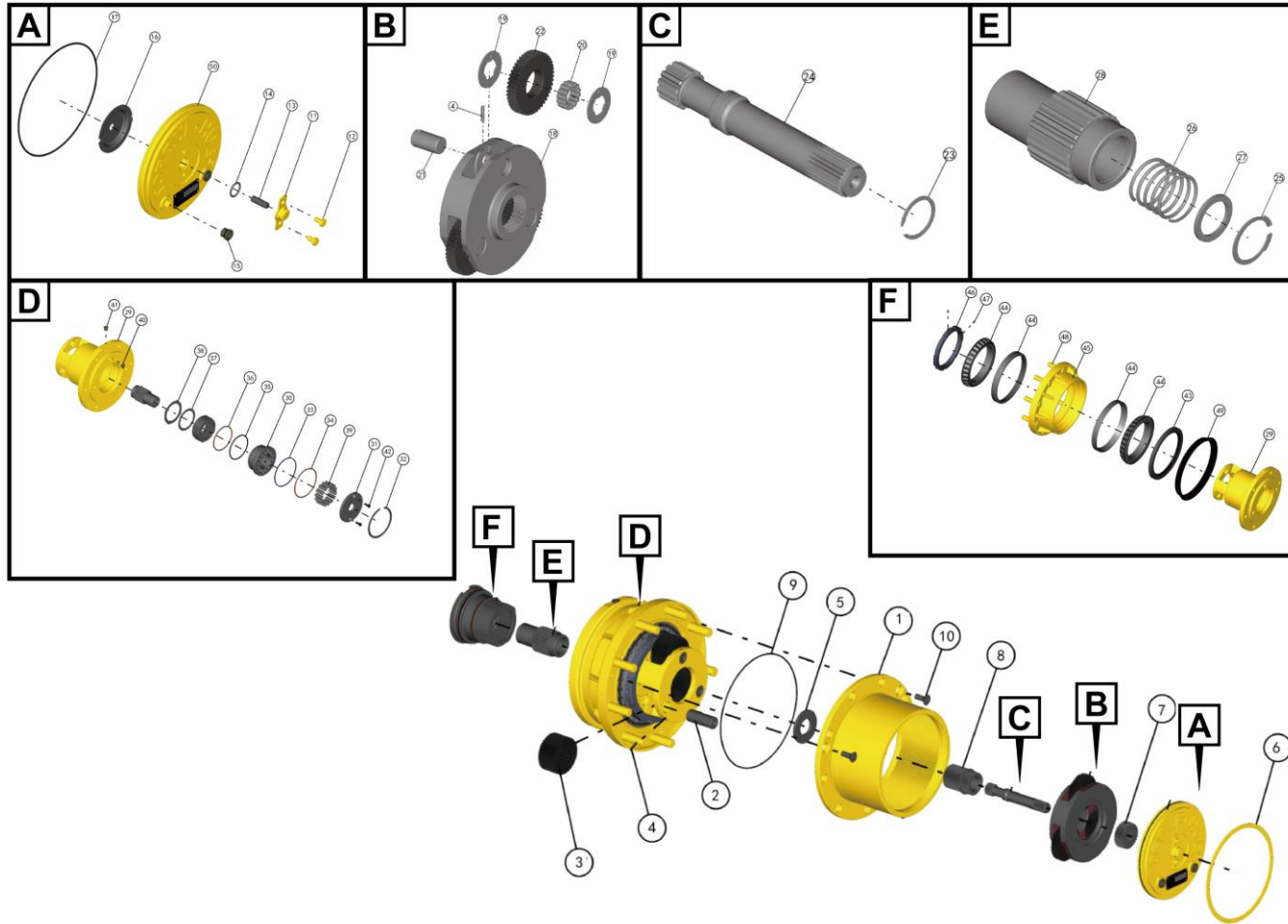
Key	Part No.	Description	Spare parts Y/N	Qty	Remarks
1	4120703559001	Ring gear	Y	1	
2	4120703559002	Planet shaft	Y	3	
3	4120703559003	Planet gear	Y	3	
4	4120703559004	Roll pin	Y	3	
5	4120703559051	Thrust washer	Y	1	
6	4120703559005	Retaining ring – int 7.086	Y	1	
7	4120703559006	Sun gear	Y	1	
8	4120703559007	Sun gear	Y	1	
9	4120703559008	O-ring	Y	1	
10	4120703559009	Bolt, flat head – hex skt (.375-16)	Y	3	
11	4120703559011	Disengage cap	Y	1	
12	4120703559012	Bolt,hex (.250-20 unc.,500 gr5)	Y	2	
13	4120703559013	Dowel pin	Y	1	
14	4120703559014	O-ring	Y	1	
15	4120703559015	Pipe plug	Y	2	
16	4120703559016	Thrust spacer	Y	1	
17	4120703559017	O-ring	Y	1	
18	4120703559018	Carrier	Y	1	
19	4120703559019	Thrust washer	Y	6	
20	4120703559020	Needle bearing	Y	42	
21	4120703559021	Planet shaft	Y	3	
22	4120703559022	Planet gear	Y	3	

Wheel drive

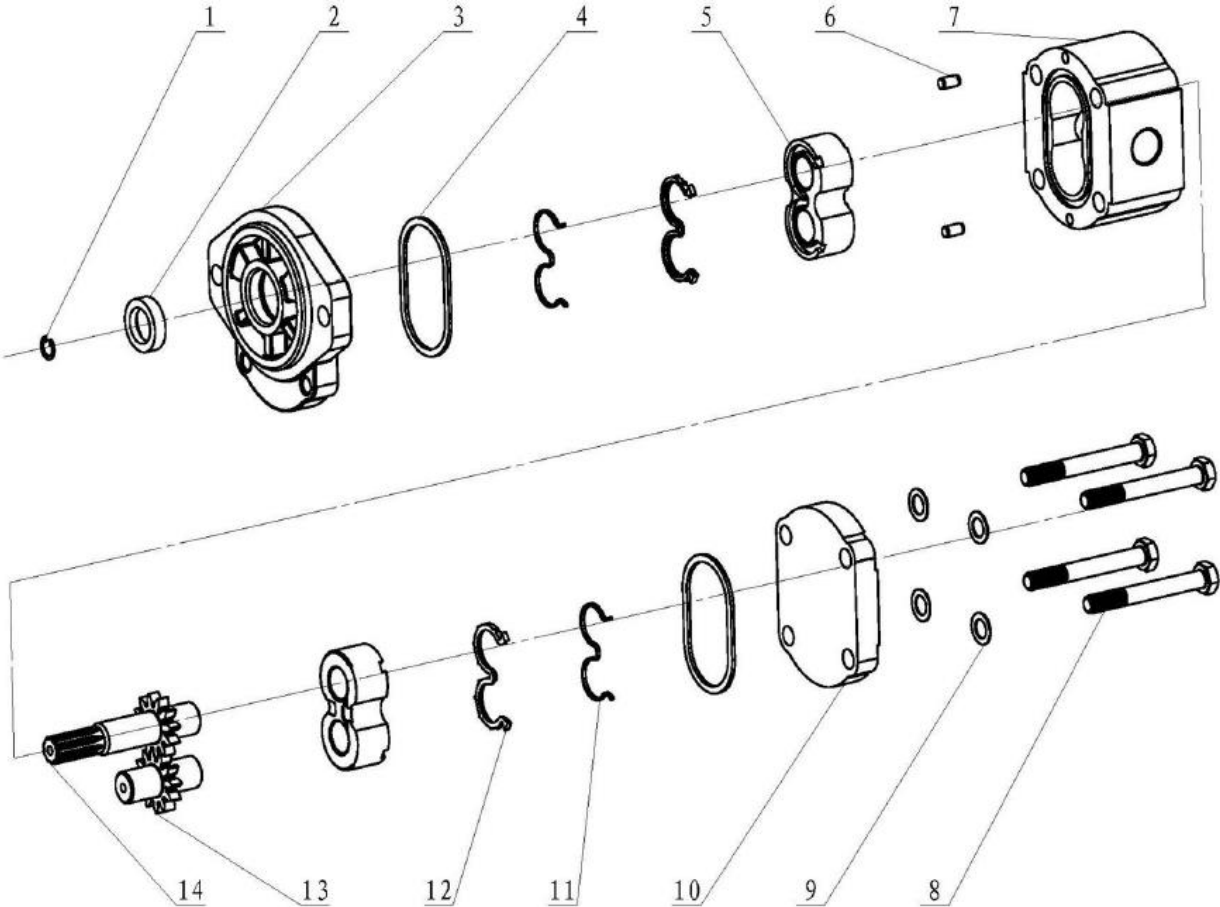


Key	Part No.	Description	Spare parts Y/N	Qty	Remarks
23	4120703559023	Retaining ring – ext .875	Y	1	
24	4120703559024	Input shaft	Y	1	
25	4120703559025	Retaining ring – int 1.250	Y	1	
26	4120703559026	Spring (1.225,1.500)	Y	1	
27	4120703559027	Thrust washer	Y	1	
28	4120703559028	Coupling	Y	1	
29	4120703559029	Spindle	Y	1	
30	4120703559030	Brake piston	Y	1	
31	4120703559031	Pressure plate	Y	1	
32	4120703559032	Retaining ring – int 4.000	Y	1	
33	4120703559033	O-ring	Y	1	
34	4120703559034	Back-up ring	Y	1	
35	4120703559035	O-ring	Y	1	
36	4120703559036	Back-up ring	Y	1	
37	4120703559037	Brake rotor	Y	8	
38	4120703559038	Brake stator	Y	9	
39	4120703559039	Spring, h.d.(.492,1.260)	Y	1	
40	4120703559040	O-ring plug or plastic plug	Y	1	
41	4120703559041	O-ring plug	Y	1	
42	4120703559042	Socket head cap screws	Y	2	
43	4120703559043	Lip seal	Y	1	
44	4120703559044	Tapered bearing assembly	Y	2	

Wheel drive

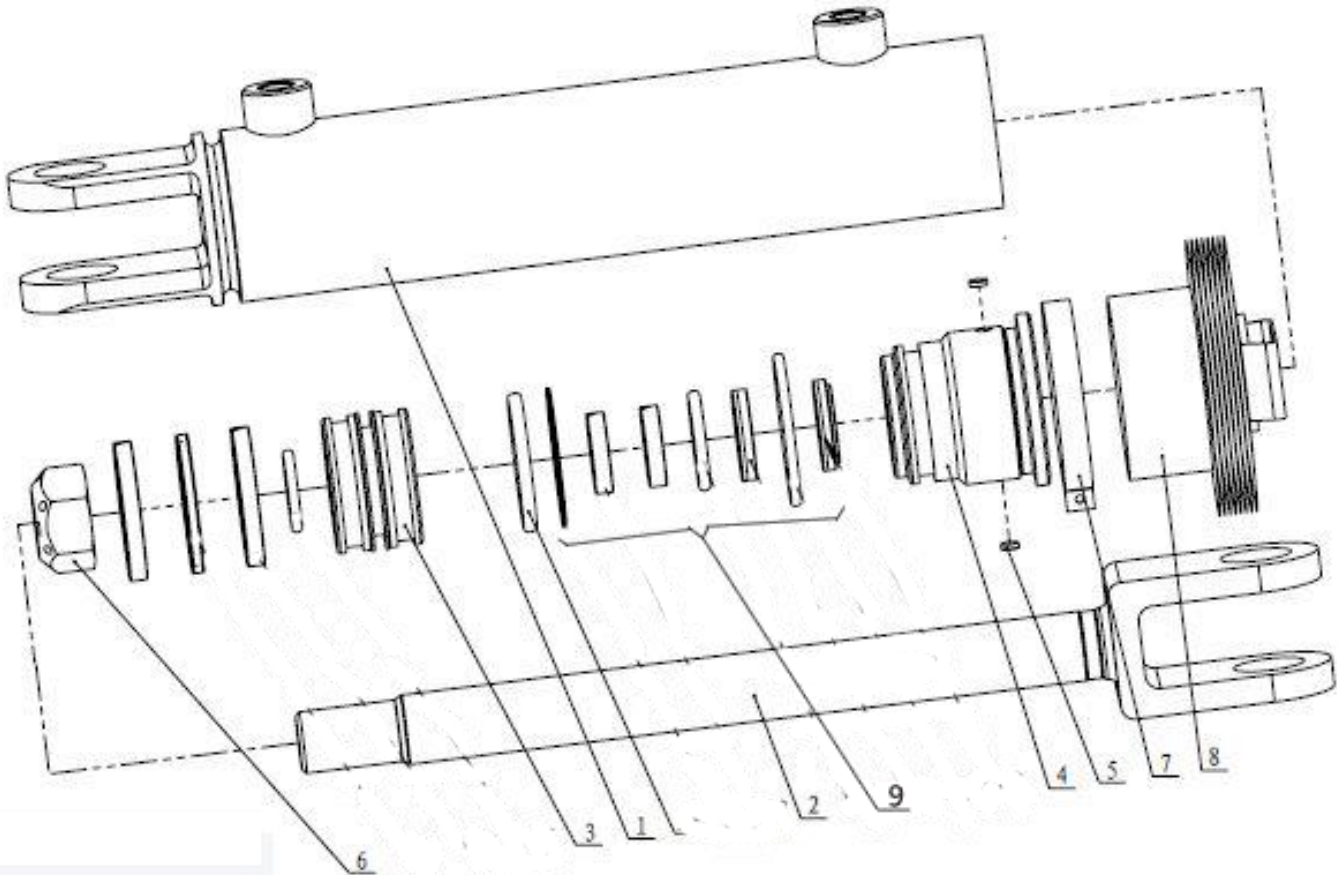


Gear pump



Key	Part No.	Description	Spare parts Y/N	Qty	Remarks
1	4120001431005	Snap ring for hole p03700013	Y	1	
2	4120001431002	Oil seal p01200050	Y	1	
3	4120001431006	Front cover a012010236	Y	1	
4	4120001431003	Outer sealring p01010072	Y	2	
5	4120001431007	Shaft sleeve assembly a012460054	Y	2	
6	4120001431008	Dowel pin p03420002	Y	2	
7	4120001431009	Unit pump a012120032	Y	1	
8	4120001431010	Hexagon head bolt p03010280	Y	4	
9	4120001431011	Saddle rebound washer p03610012	Y	4	
10	4120001431012	Rear cover a012020115	Y	1	
11	4120001431004	E-type snap ring p01100025	Y	2	
12	4120001431013	E-ring p01020077	Y	2	
13	4120001431014	Driven gear a012300220	Y	1	
14	4120001431015	Driving gear a012203651	Y	1	

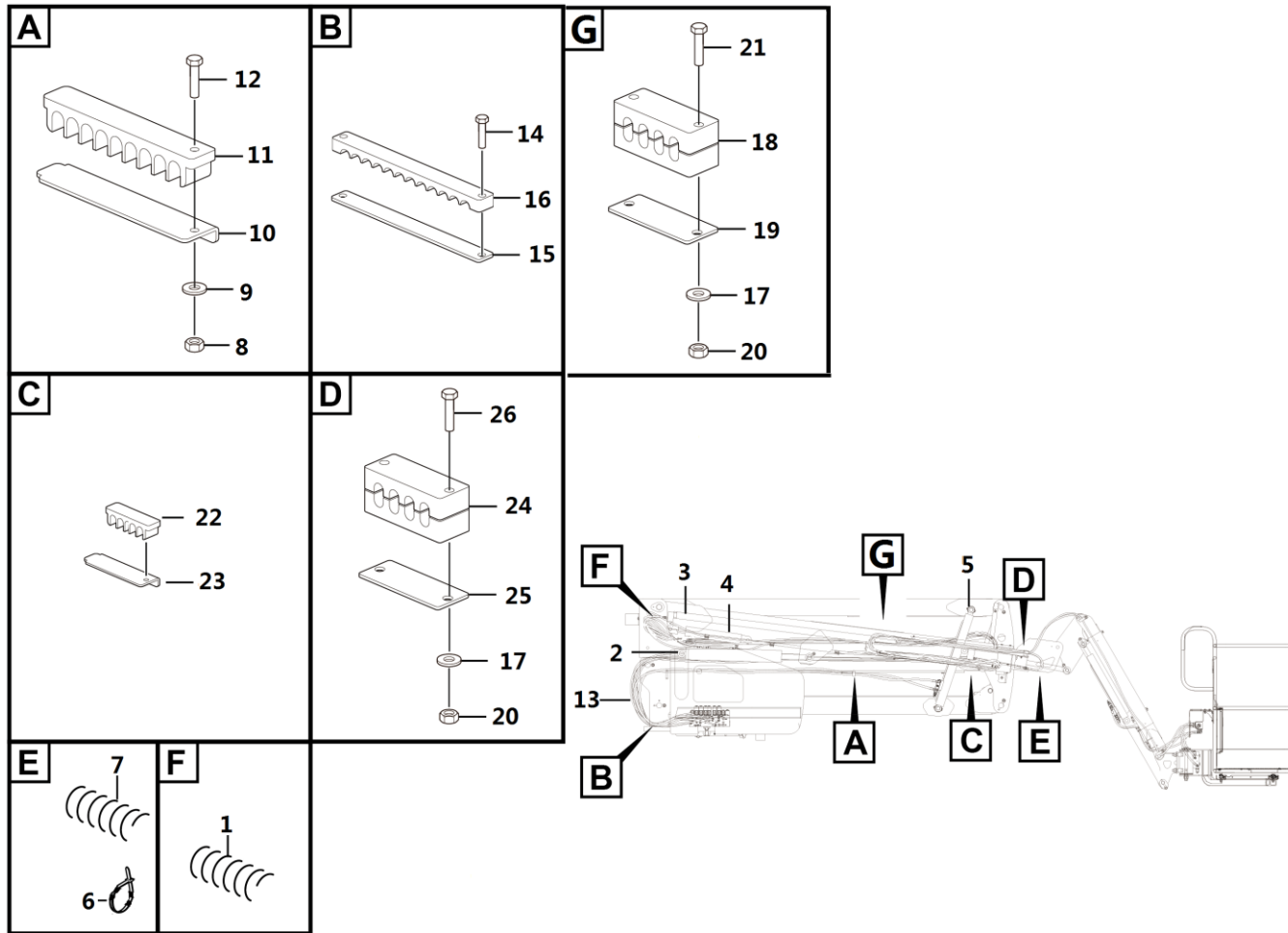
Steer cylinder



Key	Part No.	Description	Spare parts Y/N	Qty	Remarks
1	4120704841001	Cylinder assembly	Y	1	
2	4120704841002	Piston rod assembly	Y	1	
3	4120704841003	Piston	Y	1	
4	4120704841004	Sleeve	Y	1	
5	4120703766018	Locking tab 166301a100	Y	2	
6	4120002047007	All-metal locknut 264761t001	Y	1	
7	4120705927001	Hose clamp 310727k001	Y	1	
8	4120704841005	Shield sleeve	Y	1	
9	4120704841006	Kit	Y	1	

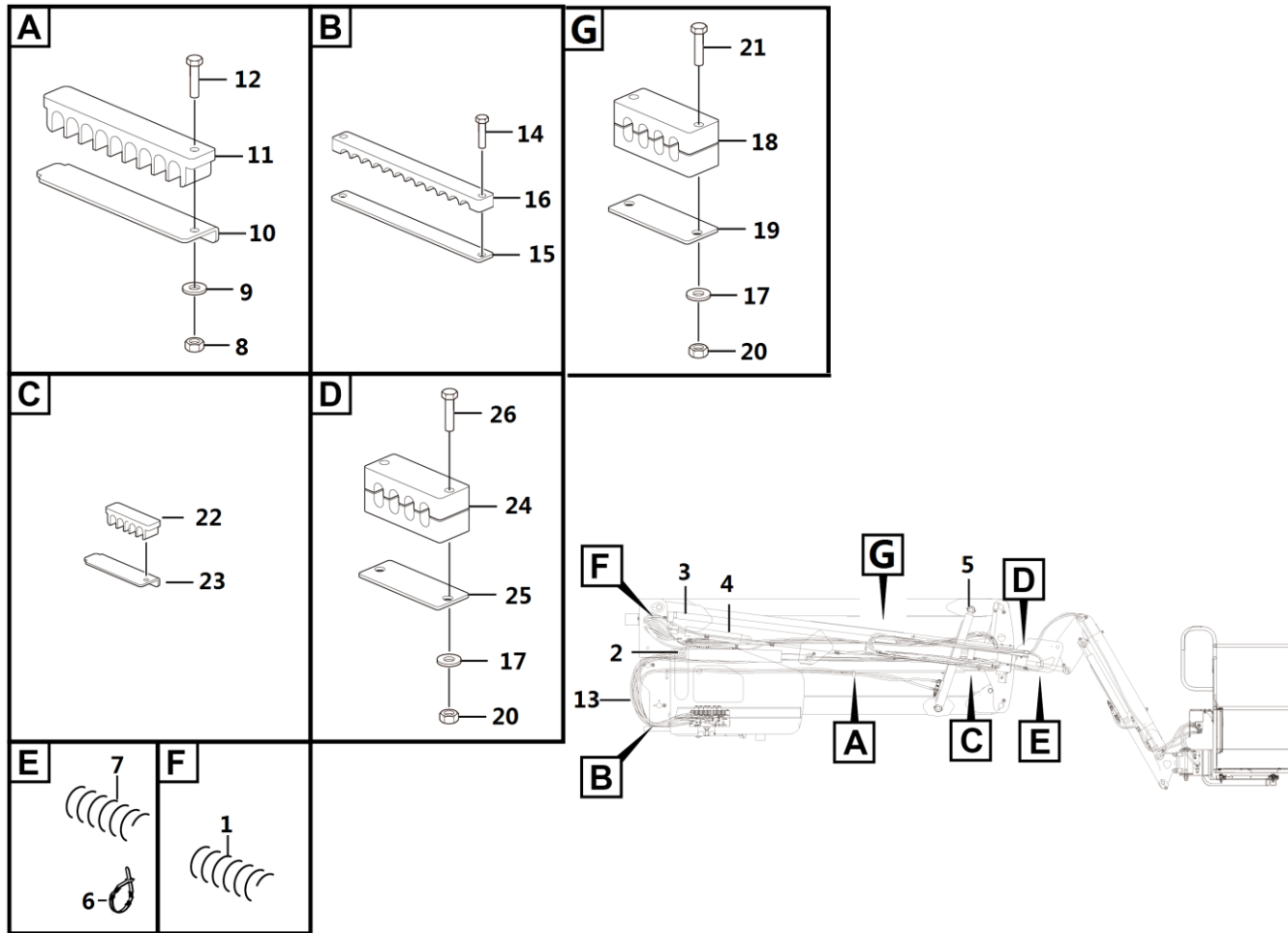


Assembly



Key	Part No.	Description	Spare parts Y/N	Qty	Remarks
1	4120002251	Hose sheath pg-062(600)	Y	18	
2	25080000391	Platform level slave assembly	N	1	
3	25080000381	Extension assembly	N	1	
4	25080000371	Primatry lift assembly	N	1	
5	25080000401	Secondary lift assembly	N	1	
6	4120707038	Tie strap with pulling buckle zd-l467-w25-ljk	Y	1	
7	4120001532	Hose sheath pg-062(300)	Y	8	
8	4013000028	Nut gb6170-m6epzn-8	Y	6	
9	4015010284	Washer gb97.1-6flznyc-480	Y	6	
10	25080000411	Telescopic boom upper pipe clamp pressure plate	Y	3	
11	25080006171	Telescopic boom upper pipe clamp	Y	3	
12	4011010747	Bolt gb5783-m6*16flznyc-8.8-480	Y	6	
13	25080001491	Canvas	Y	2	
14	4011010997	Bolt gb5783-m6*40flznyc-8.8-480	Y	2	
15	25080000911	Plate	Y	1	
16	25080006191	Clamp	Y	2	
17	4015010289	Washer gb96.1-8flznyc-480	Y	12	
18	25080006032	Four-hole pipe clamp	Y	2	
19	25080000951	Cable chain outlet pipe clamp pressure plate, formed	Y	2	
20	4013010297	Nut gb889.1-m8flznyc-8-480	Y	6	
21	4014010232	Bolt gb5782-m8*70flznyc-12.9-480	Y	4	
22	25080006601	Pipe clamp, for fixing boom telescopic cylinder hydraulic pipe	Y	3	

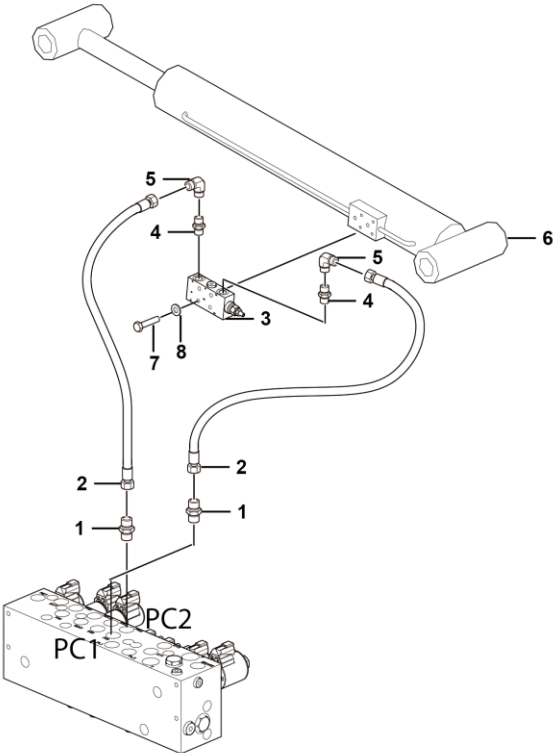
Assembly



Key	Part No.	Description	Spare parts Y/N	Qty	Remarks
23	25080000931	Plate	Y	3	
24	25080007601	Cable carrier outlet pipe clamp	Y	1	
25	25080007611	Cable carrier outlet pipe clamp pressure plate 1	Y	1	
26	4011011039	Bolt gb5782-m8*80flznyc-8.8-480	Y	2	



Hydraulic assembly

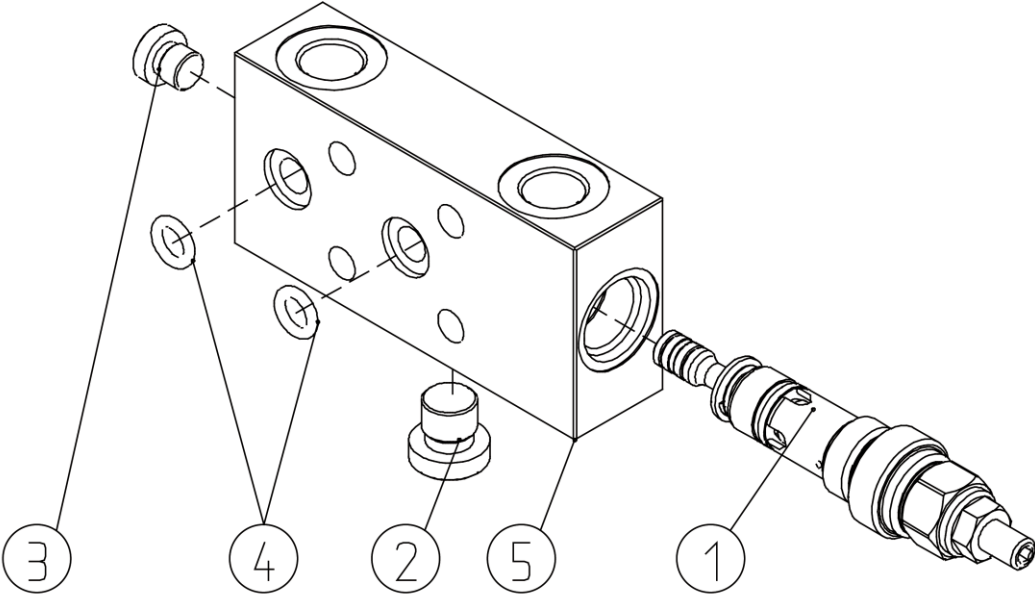


Key	Part No.	Description	Spare parts Y/N	Qty	Remarks
1	4120001368	Fitting, hydraulic 1cb-14-04wd	Y	2	
2	4120706203	Hose	Y	2	
3	4120703873	Valve	Y	1	
4	4120001495	Fitting, hydraulic 1cb-14-06wd	Y	2	
5	4120000868	Right-angle fitting 2c9-14z	Y	2	
6	4120704842	Main boom luffing cylinder	Y	1	
7	4011010938	Bolt gb5783-m8*45flznyc-12.9-480	Y	4	
8	25080002881	M8 hard gasket,16*8.5*3	Y	4	

Hydraulic system



Valve

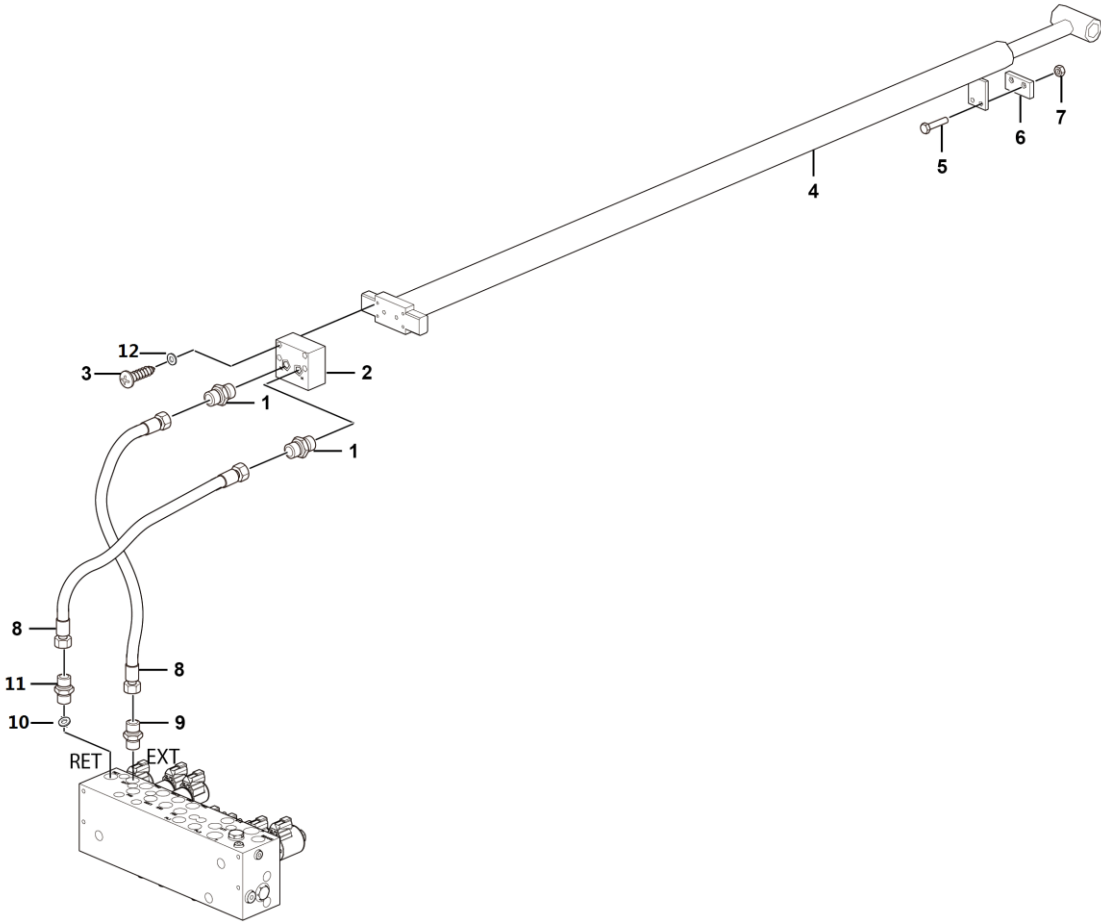


Key	Part No.	Description	Spare parts Y/N	Qty	Remarks
1	4120002045002	Balance valve	Y	1	
2	4190001419	Plug 4bn-04wd	Y	1	
3	4129900116002	Plug 4bn-02wd	Y	1	
4	4120703337003	O-ring 10.77*2.62 nbr 70sh	Y	2	
5	4120703873001	Valve	Y	1	

Hydraulic system

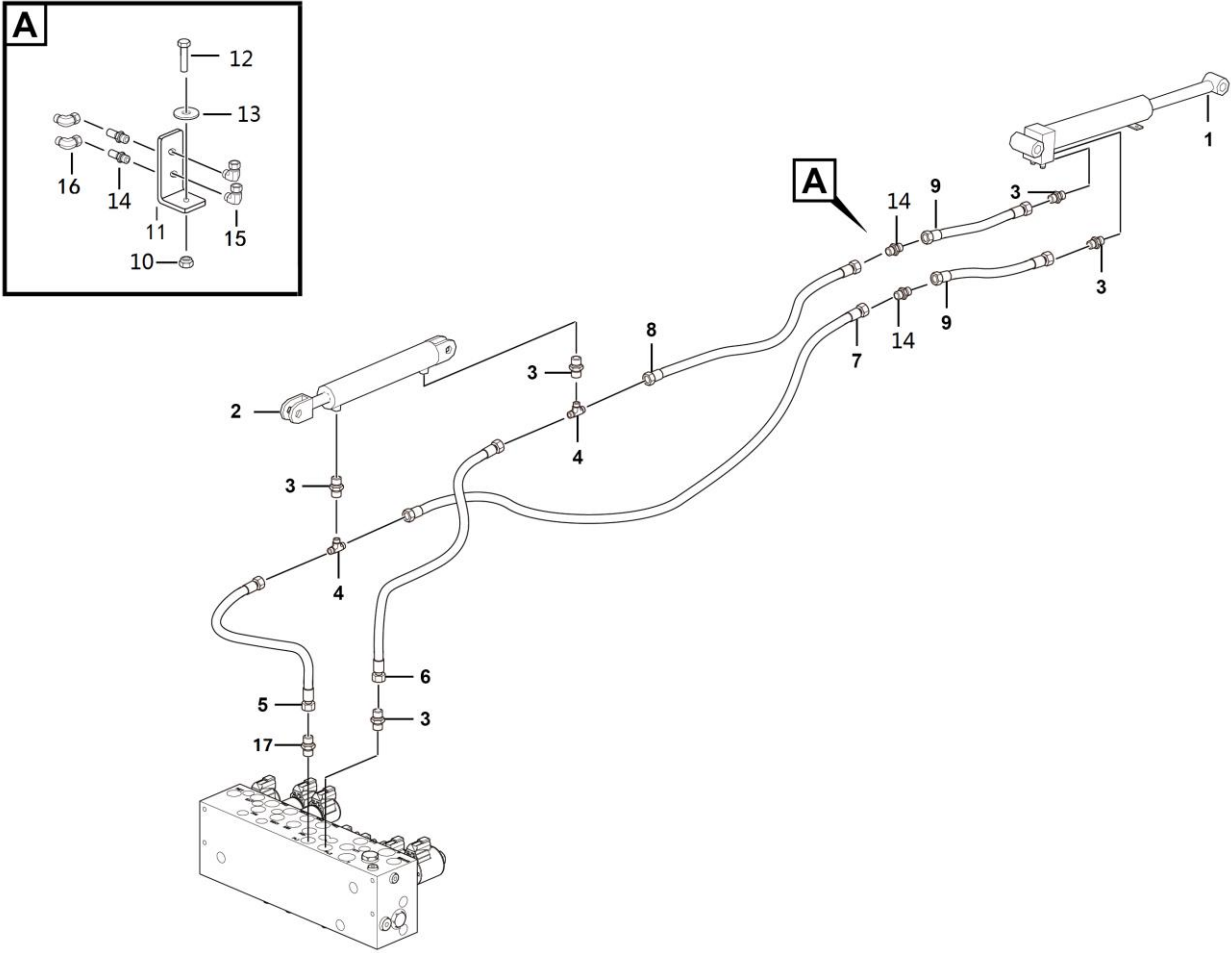


Extension assembly



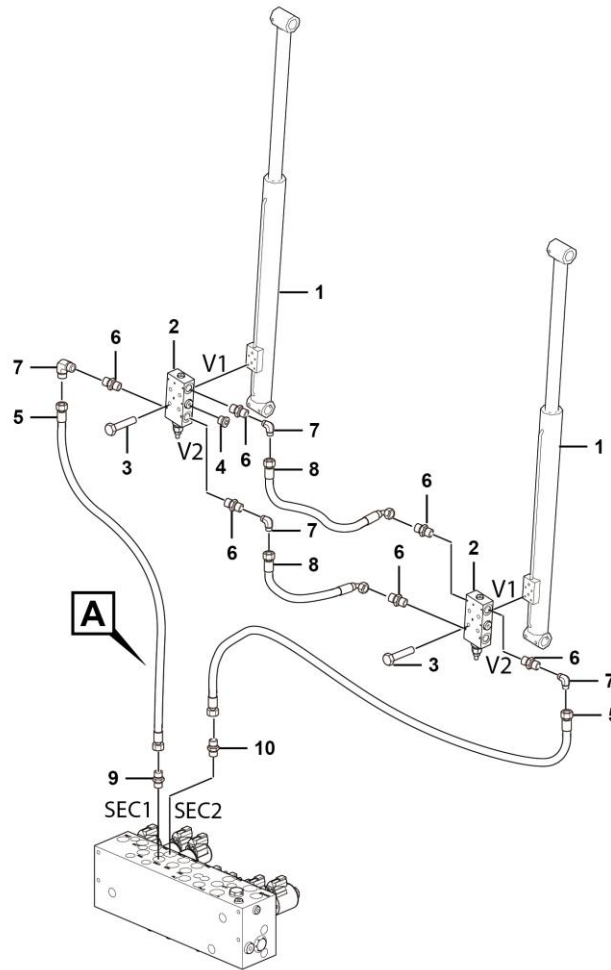
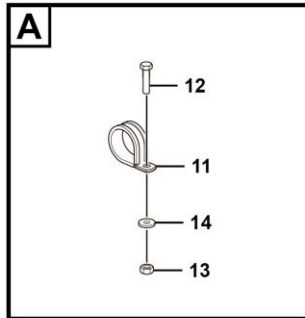
Key	Part No.	Description	Spare parts Y/N	Qty	Remarks
1	4120001495	Fitting, hydraulic 1cb-14-06wd	Y	2	
2	4120705132	Counterbalance valve	Y	1	
3	4014010333	Screw gb70.1-m8*65flznyc-12.9-480	Y	4	
4	4120703561	Main boom telescopic cylinder	Y	1	
5	4011011053	Bolt gb5782-m10*45flznyc-8.8-480	Y	2	
6	25080000551	Telescopic cylinder support slider, for supporting boom luffing cylinder	Y	1	
7	4013010289	Nut gb6170-m10flznyc-8-480	Y	2	
8	4120706202	Hose	Y	2	
9	4120001368	Fitting, hydraulic 1cb-14-04wd	Y	1	
10	4120703112	Damping	Y	1	
11	25120000141	Straight fitting	Y	1	
12	25080002881	M8 hard gasket, 16*8.5*3	Y	4	

Platform level slave assembly



Key	Part No.	Description	Spare parts Y/N	Qty	Remarks
1	4120704843	Upper leveling cylinder	Y	1	
2	4120706074	Down level cylinder	Y	1	
3	4120001368	Fitting, hydraulic 1cb-14-04wd	Y	5	
4	4190001003	Tee fitting bc-14	Y	2	
5	4120002284	Pipe	Y	1	
6	4120002236	Pipe	Y	1	
7	4120707811	Hose fc402caca080804-5970	Y	1	
8	4120707814	Hosefc402caca080804-5520	Y	1	
9	4120707815	Hose fc402caca080804-830-pg830	Y	2	
10	4013010297	Nut gb889.1-m8flznyc-8-480	Y	1	
11	25080004662	Two-hole bracket plate, straight bulkhead fitting	Y	1	
12	4011010708	Bolt gb5783-m8*30flznyc-8.8-480	Y	1	
13	4015010289	Washer gb96.1-8flznyc-480	Y	2	
14	4120001813	Bulkhead fitting 6c-14ln	Y	2	
15	4120000868	Right-angle fitting 2c9-14z	Y	2	
16	4120702875	Combination fitting 2c4-14z	Y	2	
17	4120708900	Valve sy-rd-l08-g1/4-0.5-φ0.8	Y	1	

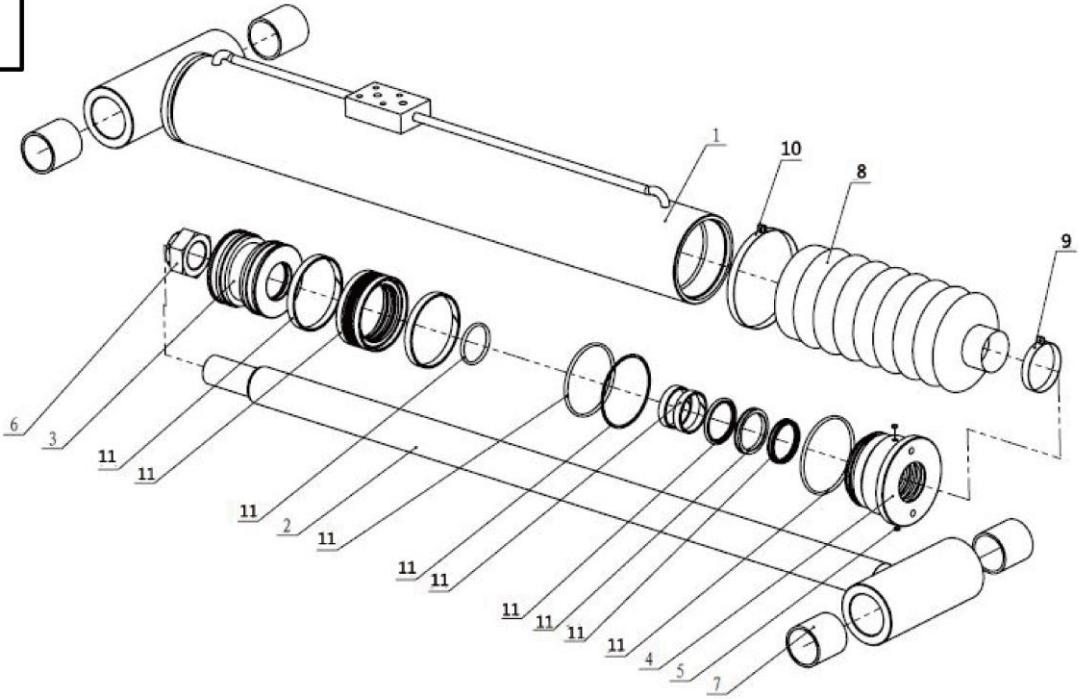
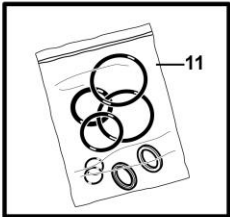
Hydraulic assembly



L2404-2508000040.S1b

Key	Part No.	Description	Spare parts Y/N	Qty	Remarks
1	4120001536	Cylinder	Y	2	
2	4120002042	Control valve	Y	2	
3	4011000861	Bolt gb5783-m8*40epzn-10.9	Y	8	
4	4120001493	Plug 4bn-06wd	Y	2	
5	4120002240	Pipe	Y	2	
6	4120001495	Fitting, hydraulic 1cb-14-06wd	Y	6	
7	4120000868	Right-angle fitting 2c9-14z	Y	4	
8	4120002241	Hose j20411-14-04tz/j20491-14-04tz*scp3-04*395, balance valve (left) to balance valve (right)	Y	2	
9	4120002000	Jiont	Y	1	
10	4120001368	Fitting, hydraulic 1cb-14-04wd	Y	1	
11	25080000571	Pipe clamp 15	Y	2	
12	4011000289	Bolt gb5783-m6*16epzn-8.8	Y	2	
13	4013000163	Nut gb6170-m6epzn	Y	2	
14	4015000207	Washer gb97.1-6epzn-300hv	Y	2	

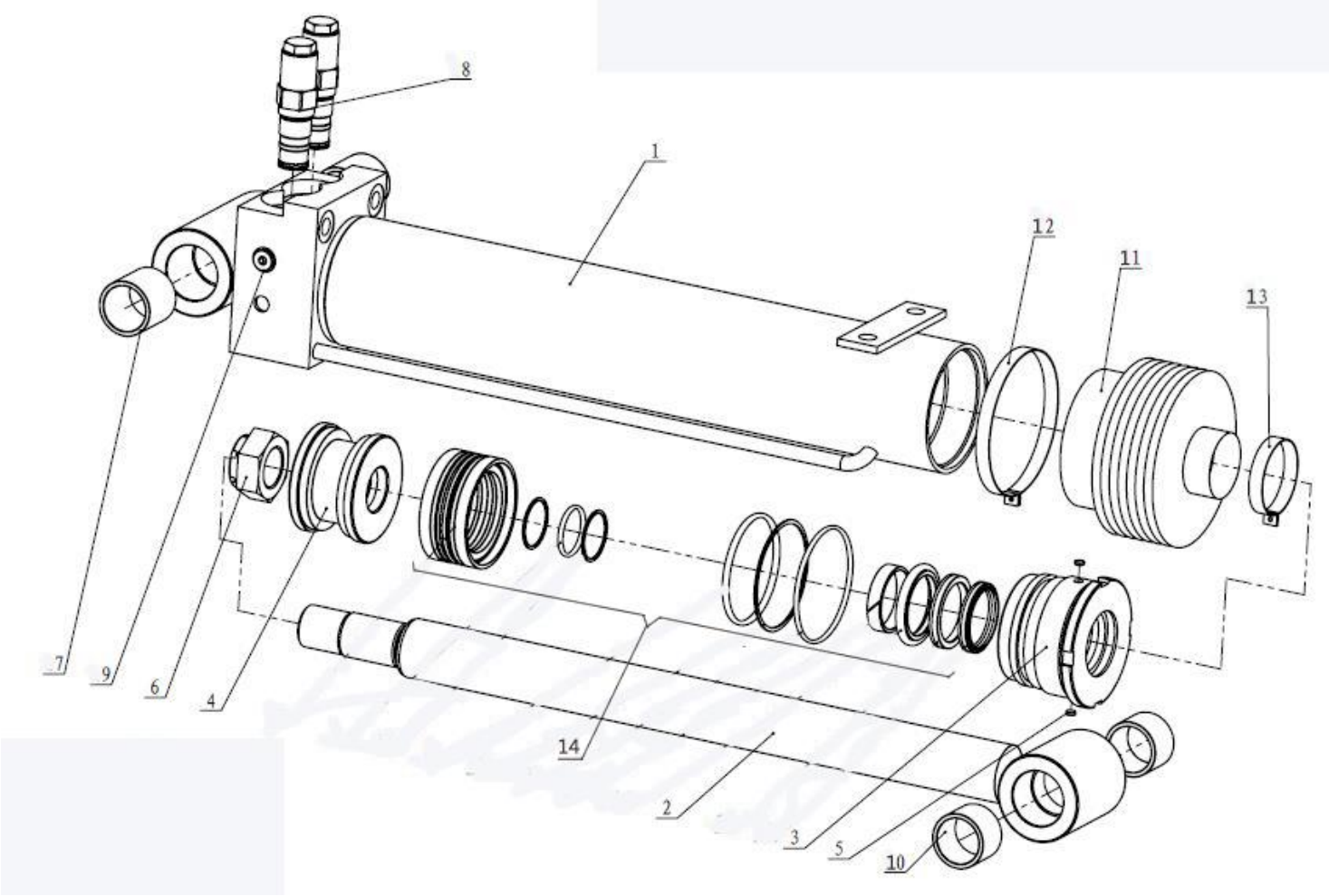
Cylinder



Key	Part No.	Description	Spare parts Y/N	Qty	Remarks
1	4120704842006	Cylinder barrel assembly 170213b102	Y	1	
2	4120704842005	Piston rod assembly 170514b101	Y	1	
3	4120002496004	Piston 171113a102	Y	1	
4	4120002496005	Guide sleeve 171414a107	Y	1	
5	4120703766018	Locking tab 166301a100	Y	2	
6	4120703584019	All-metal locknut 264768t001	N	1	
7	4120704842004	Self-lubricating composite shaft sleeve 272199c055	Y	4	
8	4120704842003	Dust cover 176413a200	Y	1	
9	4120704842002	Hose clamp 310704k001	Y	1	
10	4120704842001	Hose clamp 310727k007	Y	1	
11	4120704842007	Cylinder seal kit	Y	1	

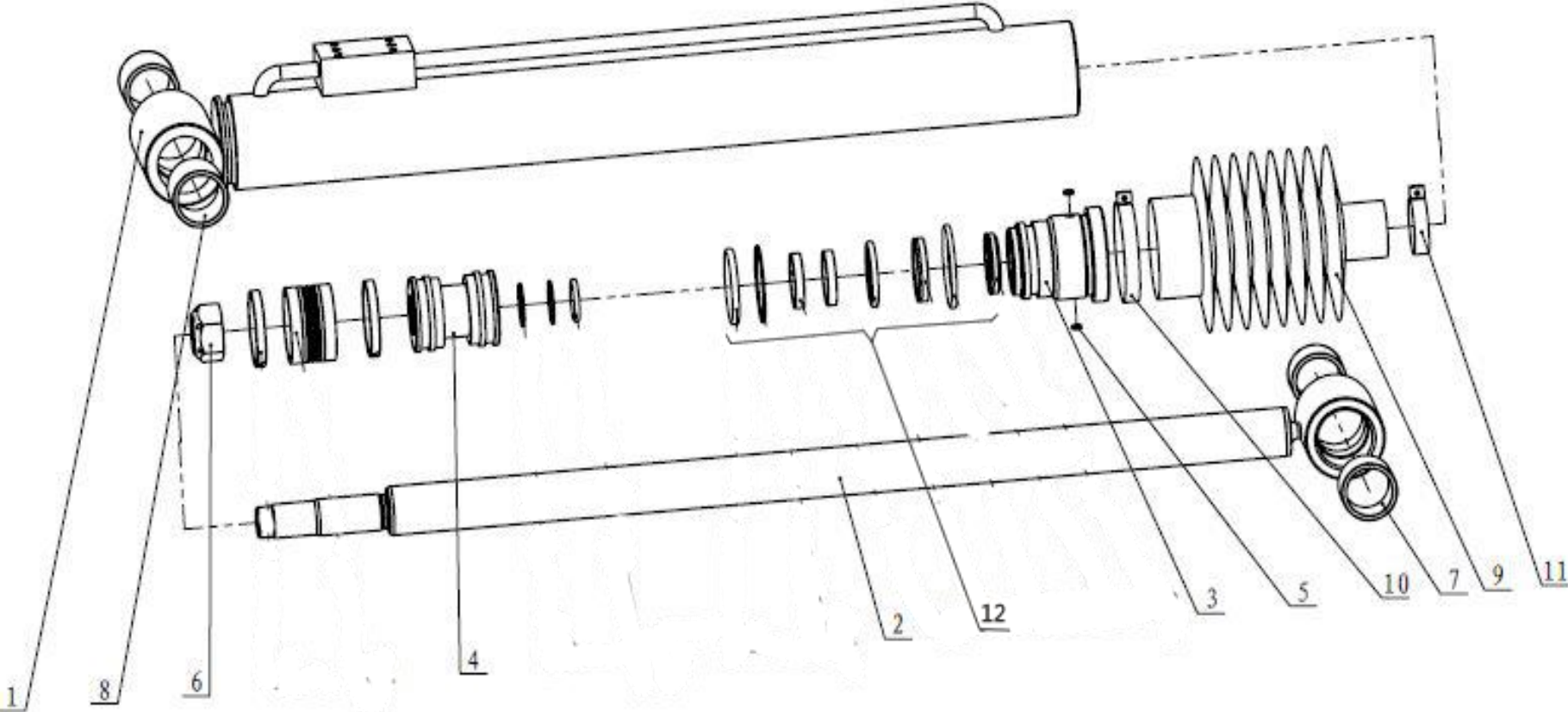


Cylinder



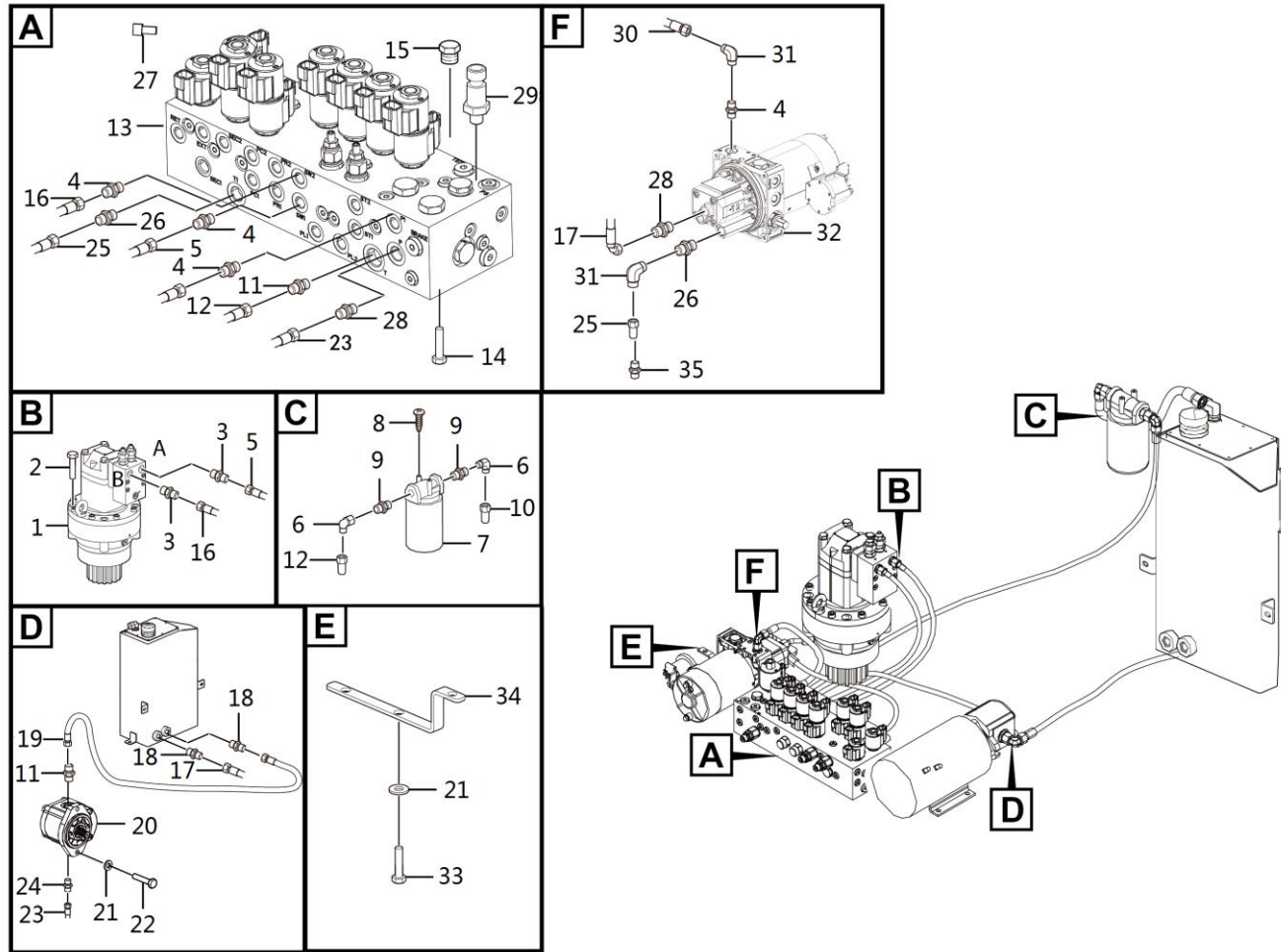
Key	Part No.	Description	Spare parts Y/N	Qty	Remarks
1	4120704843002	Cylinder barrel assembly 170250a304a	Y	1	
2	4120704843003	Piston rod assembly 170513a303	Y	1	
3	4120704843004	Guide sleeve 171413a305	Y	1	
4	4120704843005	Piston 171150a305	Y	1	
5	4120703766018	Locking tab 166301a100	Y	2	
6	4120703063003	Metal locknut 264767t001	Y	1	
7	4120705183007	Self-lubricating composite bearing 272199c052	Y	2	
8	4120704843006	Balance valve 302120d001x	Y	2	
9	4120704843007	Hexagon socket screw plug 310105d009	Y	2	
10	4120704843008	Self-lubricating composite bearing 272199c053	Y	2	
11	4120704843009	Dust cover 176450a200	Y	1	
12	4120704843010	Hose clamp 310726k001	Y	1	
13	4120704843011	Hose clamp 310727k002	Y	1	
14	4120704843001	Upper leveling cylinder seal kit	Y	1	

Cylinder



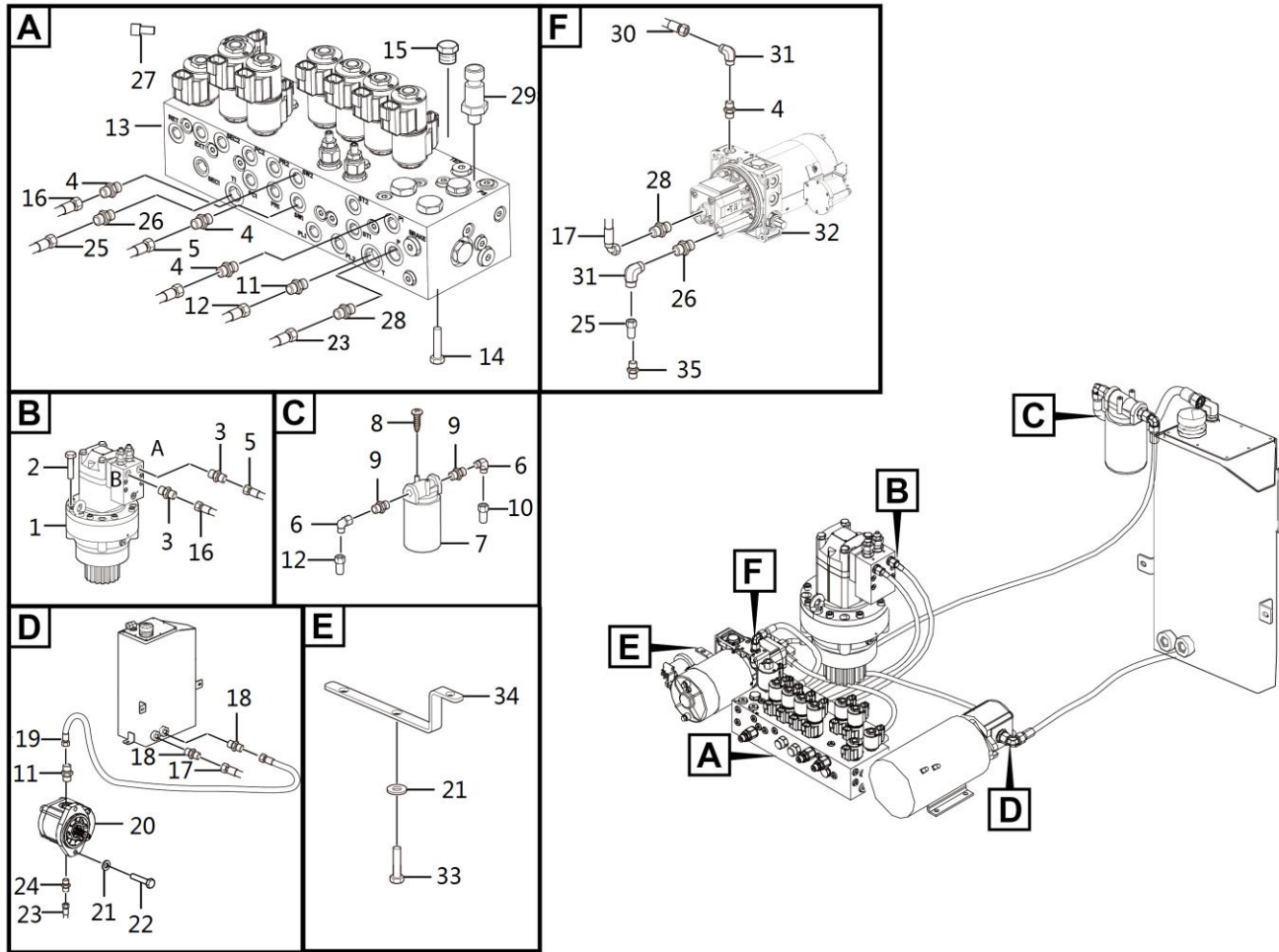
Key	Part No.	Description	Spare parts Y/N	Qty	Remarks
1	4120705182005	Cylinder assembly	Y	1	
2	4120705182004	Piston rod assembly	Y	1	
3	4120705182003	Sleeve	Y	1	
4	4120705182006	Piston	Y	1	
5	4120703766018	Locking tab 166301a100	Y	2	
6	4120002047007	All-metal locknut 264761t001	Y	1	
7	4120705183006	Self-lubricating composite bearing 272199c054	Y	2	
8	4120705183007	Self-lubricating composite bearing 272199c052	Y	2	
9	4120705182002	Shield sleeve	Y	1	
10	4120705927001	Hose clamp 310727k001	Y	1	
11	4120705183009	Hose clamp 310701k001	Y	1	
12	4120705182001	Kit	Y	1	

Turntable rotate assembly



Key	Part No.	Description	Spare parts Y/N	Qty	Remarks
1	4120001432	Rotation hydraulic motor	Y	1	
2	4011011172	Bolt gb5782-m12*120flznyc-10.9-480	Y	4	
3	4120001340	Fitting 1co-14-04	Y	2	
4	4120001368	Fitting, hydraulic 1cb-14-04wd	Y	3	
5	4120002233	Hose j20411-14-04tz*scp3-04*650, tee fitting-right floating balance valve	Y	1	
6	4120000866	Right-angle joint2c9-22z	Y	2	
7	4120001675	Filter	Y	1	
8	4014010119	Screw gb70.1-m6*25flznyc-8.8-480	Y	2	
9	4120001757	Nipple 1cb-22-12wd	Y	2	
10	4120704501	Pipe	Y	1	
11	4120001497	Fitting 1cb-22-08wd	Y	2	
12	4120002244	Pipe	Y	1	
13	4120706642	Manifold	Y	1	
14	4011010966	Bolt gb16674-m8*20flznyc-8.8-480	Y	4	
15	4120703596	Plug	Y	1	
16	4120002234	Pipe	Y	1	
17	4120704500	Pipe	Y	1	
18	4120001498	Fitting 1cm-22wd	Y	2	
19	4120002246	Pipe	Y	1	
20	4120001431	Gear pump	Y	1	
21	4015010339	Washer gb97.1-10flznyc-300hv-480	Y	2	
22	4011011073	Bolt 3/8-24unf-2b*31flznyc-10.9-480	Y	2	

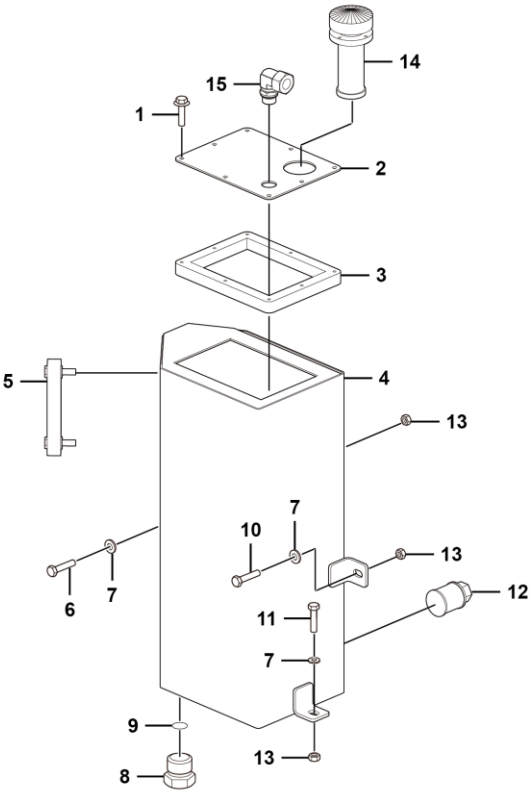
Turntable rotate assembly



Key	Part No.	Description	Spare parts Y/N	Qty	Remarks
23	4120002604	Pipe	Y	1	
24	4120001500	Fitting 1cb-18-08wd	Y	1	
25	4120002605	Pipe	Y	1	
26	4120001495	Fitting, hydraulic 1cb-14-06wd	Y	2	
27	4130000640	Sheath dt04-2p	Y	2	
28	4120001499	Fitting 1cb-18-06wd	Y	2	
29	4120001977	Pressure tap smk20-g1/4-pc	Y	1	
30	4120703597	Hose j20411-14-04tz*scp3-04*460, emergency pump oil return port to enabling solenoid valve a	Y	1	
31	4120000868	Right-angle fitting 2c9-14z	Y	2	
32	4120706861	Power unit	Y	1	
33	4011010722	Bolt gb5783-m10*25flznyc-8.8-480	Y	2	
34	25090000131	Plate	Y	1	
35	4120706439	Filter fitting 1cb-14-04-40 meshes	N	1	



Hydraulic oil tank assembly

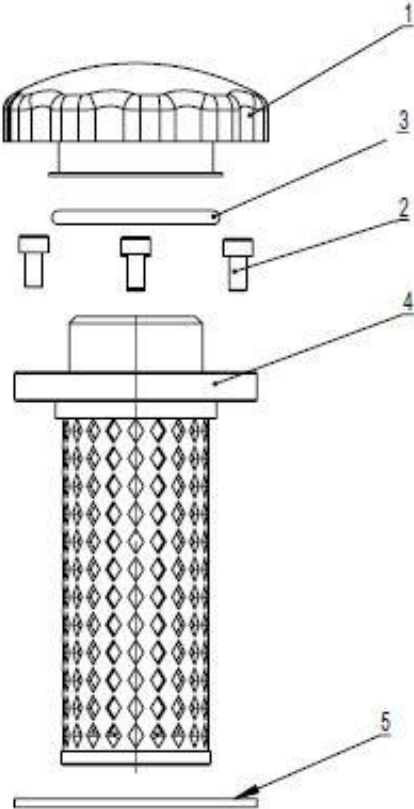


L2200-251000001.S1a

Key	Part No.	Description	Spare parts Y/N	Qty	Remarks
1	4011000153	Bolt gb16674-m6*16epzn-8.8	Y	8	
2	25100000101	Plate	Y	1	
3	25100000141	Washer	Y	1	
4	25100000021	Tank	Y	1	
5	4120001778	Level gauge ywz-127t	Y	1	
6	4011000413	Bolt gb5783-m10*70epzn-8.8	Y	1	
7	4015000197	Washer gb96.1-10epzn-300hv	Y	3	
8	4041001057	Screw plug lgb135-02732	Y	1	
9	4041001264	O-ring lgb168-22331	Y	1	
10	4011000497	Bolt gb5782-m10*65epzn-8.8	Y	1	
11	4011000084	Bolt gb5783-m10*30epzn-8.8	Y	1	
12	4120001424	Oil filter	Y	1	
13	4013000189	Nut gb889.1-m10epzn-8	Y	3	
14	4120001427	Air cleaner ef2-32	Y	1	
15	25100000151	Pipe	Y	1	



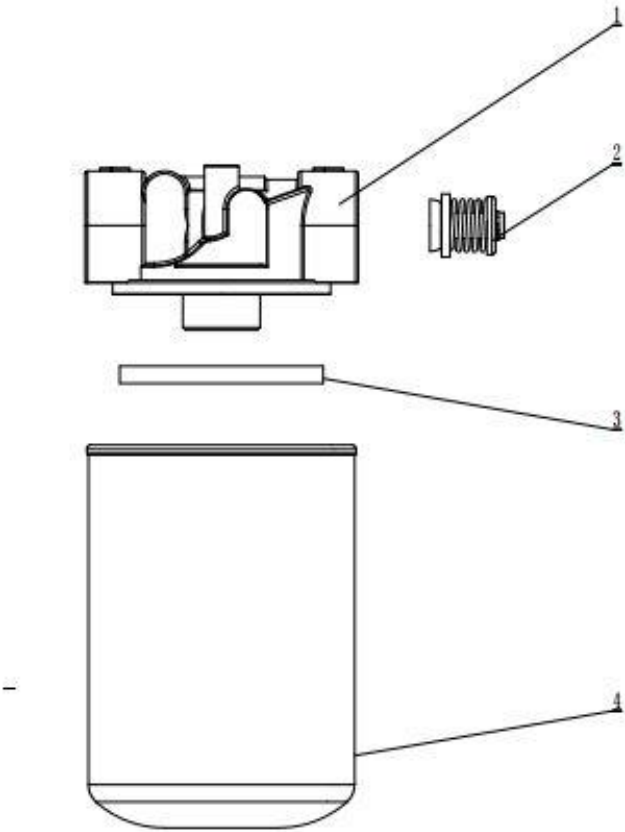
Air filter assembly



Key	Part No.	Description	Spare parts Y/N	Qty	Remarks
1	4120001427001	Capst4732-a00am	Y	1	
2	4120001427002	Screwm4*10	Y	4	
3	4120001427003	Seal40*3.55	Y	1	
4	4120001427004	Roseboxrosebox	Y	1	
5	4120001427005	Sealφ70*φ47*2	Y	1	

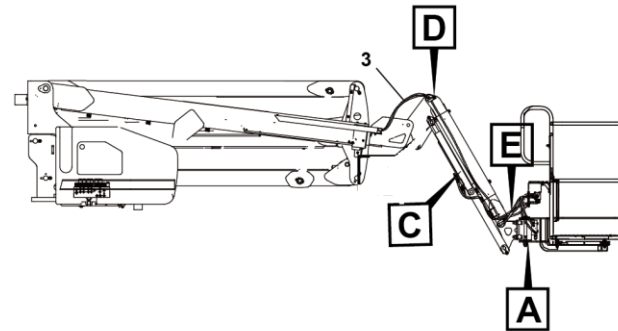
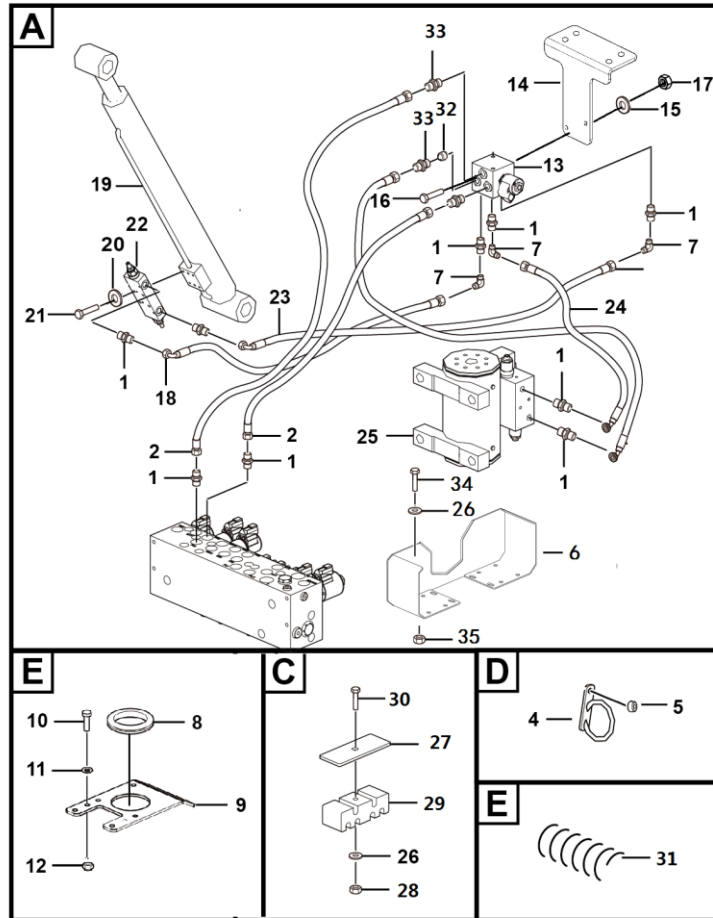


Filter



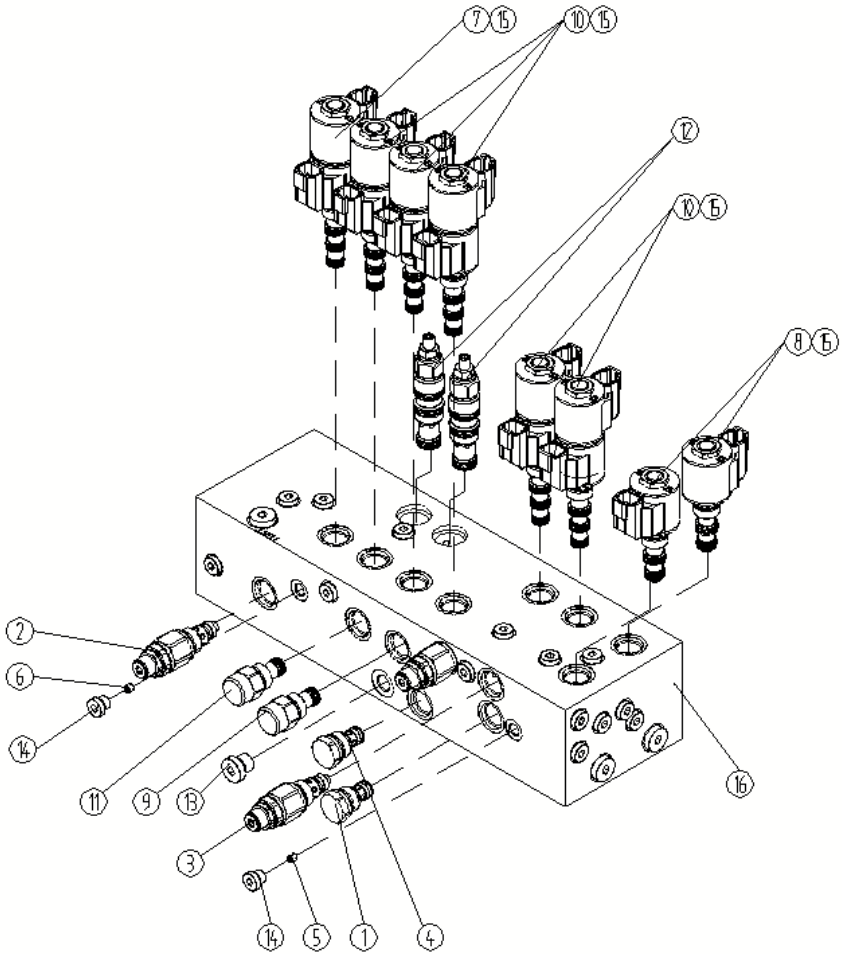
Key	Part No.	Description	Spare parts Y/N	Qty	Remarks
1	4120001368	Fitting, hydraulic 1cb-14-04wd	Y	10	
2	4120002222	Pipe	Y	2	
3	25120000131	Canvas cover	Y	2	
4	25120001961	Plate	Y	2	
5	25080001001	Spacer ring, 25*15	Y	2	
6	25120001581	Cover	Y	1	
7	4120000868	Right-angle fitting 2c9-14z	Y	4	
8	25160000621	Rubber gromet,88*5	Y	1	
9	25210023892	Forming (stamping, etc.), cable transit	N	1	
10	4011010706	Bolt gb5783-m10*40flznyc-8.8-480	Y	4	
11	4015010339	Washer gb97.1-10flznyc-300hv-480	Y	8	
12	4013010296	Nut gb889.1-m10flznyc-8	Y	4	
13	4120706490	Solenoid valve	Y	1	
14	25120000351	Forming (stamping, etc.), platform valve mounting plate	Y	1	
15	4015010283	Washer gb97.1-5flznyc-480	Y	2	
16	4014010347	Bolt gb70.1-m5*55flznyc-8.8-480	Y	2	
17	4013010298	Nut gb6170-m5flznyc-8-480	Y	2	
18	4120002224	Pipe	Y	1	
19	4120705182	Cylinder	Y	1	
20	25110000571	M6 hard gasket, 12*6.5*2	Y	4	
21	4011010902	Bolt gb5783-m6*35flznyc-12.9-480	Y	4	
22	4120001481	Balance valve	Y	1	

Platform assembly



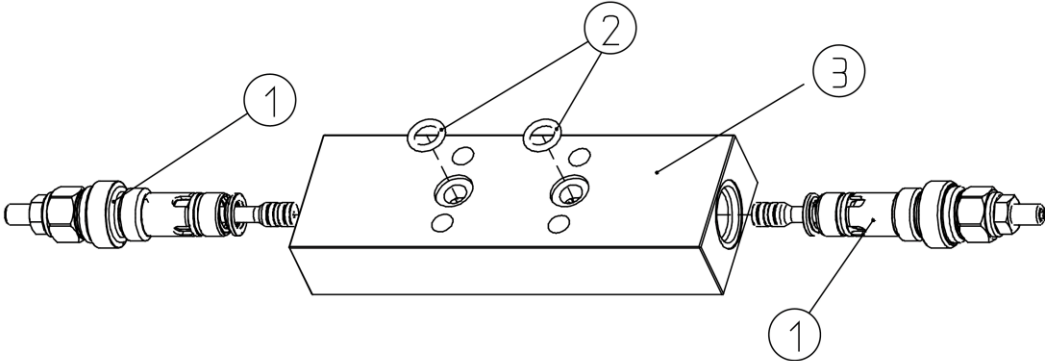
Key	Part No.	Description	Spare parts Y/N	Qty	Remarks
23	4120002223	Pipe	Y	1	
24	4120706269	Hose, multipurpose	Y	2	
25	4120706343	Rotator	Y	1	
26	4015010280	Washer gb97.1-8flznyc-480	Y	6	
27	25120000061	Fly jib pipe clamp pressure plate, for fixing flying jib pipe clamp	Y	2	
28	4013010291	Nut gb6170-m8flznyc-8-480	Y	2	
29	25120000571	Fly jib pipe clamp	Y	2	
30	4011010989	Bolt gb5782-m8*60flznyc-8.8-480	Y	2	
31	4120001986	Hose sheath pg-050 (300)	Y	4	
32	4120703558	Damping hole 0.4	Y	2	
33	25120000141	Straight fitting	Y	2	
34	4011010711	Bolt gb5783-m8*20flznyc-8.8-480	Y	4	
35	4013010383	Reed nut qc339-m8flznyc-8-480	Y	4	

Valve



Key	Part No.	Description	Spare parts Y/N	Qty	Remarks
1	4120001490007	Check valve stcv08-0-000a, for controlling inlet flow direction of 2-speed motor	N	2	
2	4120001490002	Relief valve strv08-g-240a, limiting floating pressure	Y	1	
3	4120001901001	Relief valve strv08-b-120a	Y	2	
4	4120705125001	Check valve stcv08-0-004a	Y	1	
5	4120001571005	M6 damper, for controlling speed and stabilizing flow	Y	1	
6	4120002602003	Damper, for controlling speed and stabilizing flow	Y	1	
7	4120002602004	Solenoid valve, for switching between left turn and right turn	Y	1	
8	4120002602005	Valve sv08-30-0-n-0	Y	2	
9	4120002602006	Solenoid valve, for controlling platform swing speed	Y	1	
10	4120002602007	Valve sv08-47d-0-n-0	Y	5	
11	4120002602008	Solenoid valve, for controlling leveling speed	Y	1	
12	4120002602009	Balance valve, for controlling leveling and locking load	Y	2	
13	4190001419	Plug 4bn-04wd	Y	5	
14	4129900116002	Plug 4bn-02wd	Y	26	
15	4120001490011	Coil, for controlling spool	Y	14	
16	4120706642001	Valve block, for mounting spool and routing hydraulic oil	Y	1	

Valve

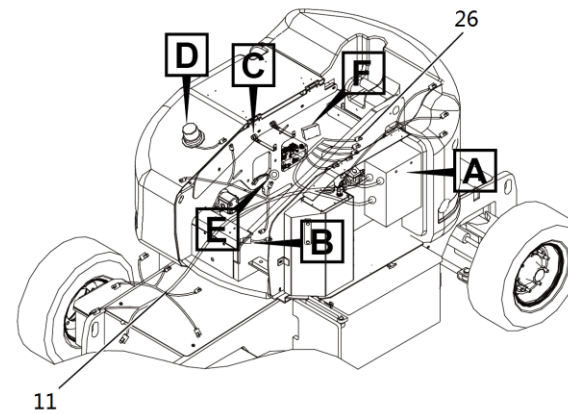
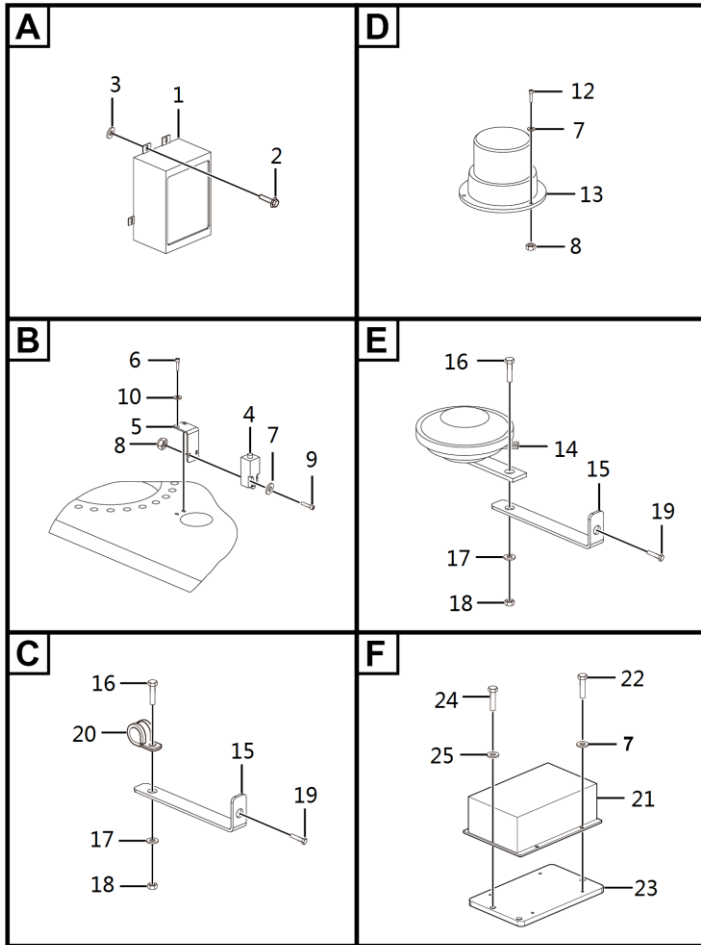


M
ELECTRIC SYSTEM



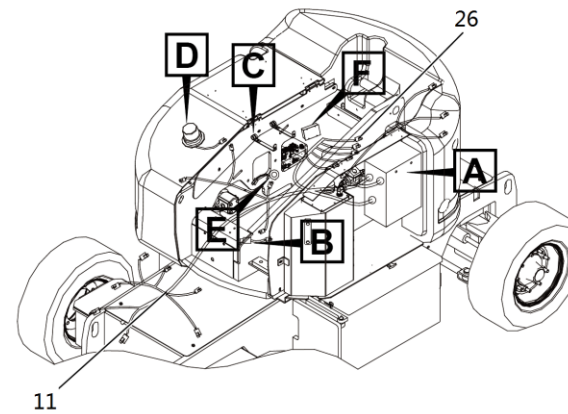
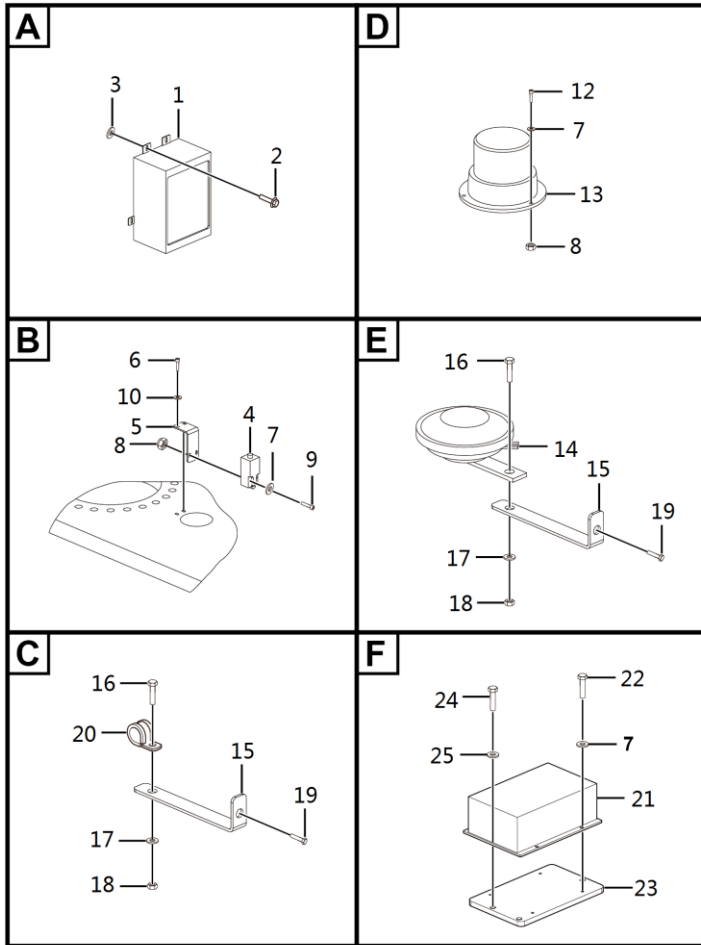
LINGONG GROUP JINAN HEAVY MACHINERY CO., LTD.

Electricity assembly system

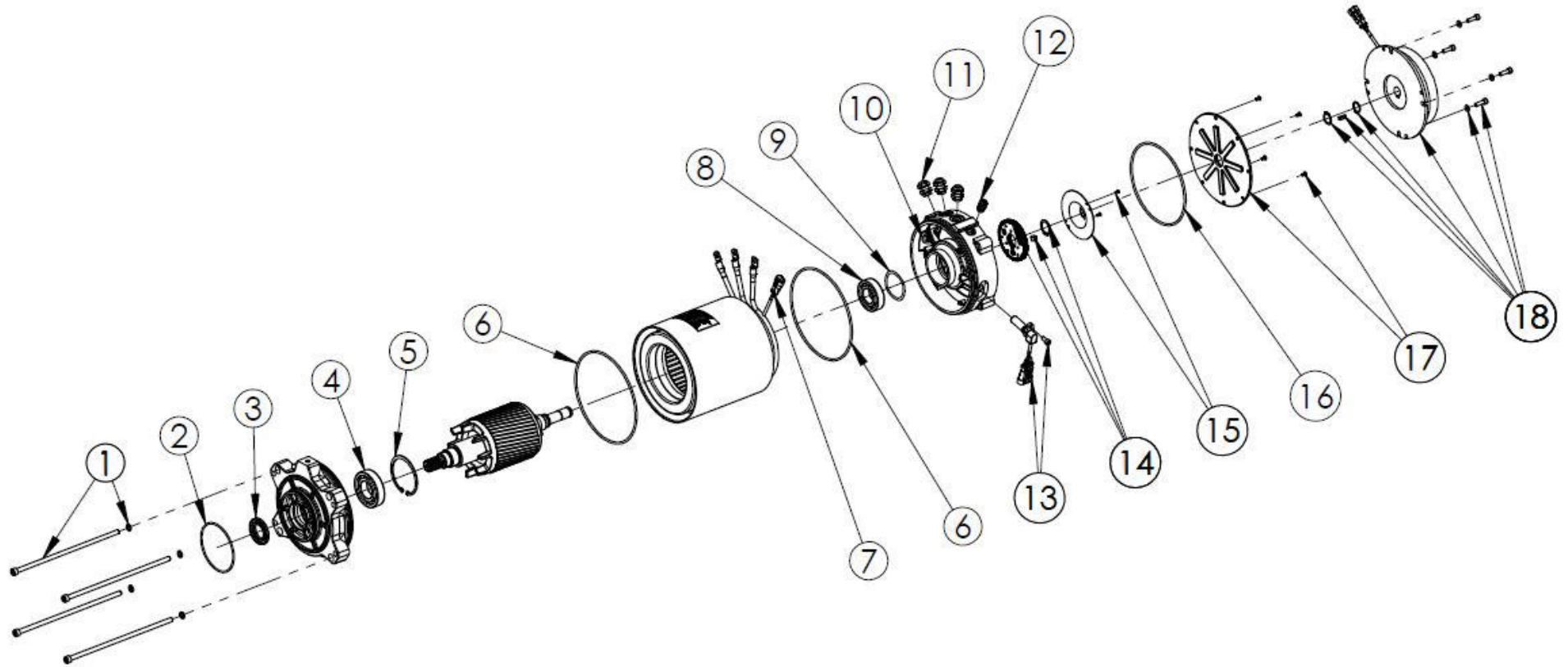


Key	Part No.	Description	Spare parts Y/N	Qty	Remarks
1	4130702380	Control box	Y	1	
2	4011011015	Bolt gb16674-m10*25flznyc-8.8-480	Y	4	
3	4015010279	Washer gb97.1-10flznyc-480	Y	4	
4	4130701637	Lower limit switch	Y	1	
5	25310000051	Plate	Y	1	
6	4014010123	Screw gb70.1-m5*40flznyc-8.8-480	Y	2	
7	4015010283	Washer gb97.1-5flznyc-480	Y	9	
8	4013010305	Nut gb889.1-m5flznyc-8-480	Y	5	
9	4014010127	Screw gb70.1-m5*10flznyc-8.8-480	Y	2	
10	4015010345	Washer gb96.1-5flznyc-480	Y	1	
11	25310004701	Wire	Y	1	
12	4014010113	Screw gb70.1-m5*25flznyc-8.8	Y	3	
13	4130000974	Alarm lamp	Y	1	
14	4130000906	Monophonic disc woofer	Y	1	
15	25310000231	Plate	Y	3	
16	4011010972	Bolt gb5783-m8*35flznyc-8.8-480	Y	3	
17	4015010280	Washer gb97.1-8flznyc-480	Y	12	
18	4013010291	Nut gb6170-m8flznyc-8-480	Y	6	
19	4011010711	Bolt gb5783-m8*20flznyc-8.8-480	Y	3	
20	26370001221	Pipe clamp, for fixing engine harness	Y	2	
21	4130000967	Direct current converter	Y	1	
22	4014010357	Screw gb70.1-m5*12flznyc-8.8-480	Y	4	

Electricity assembly system

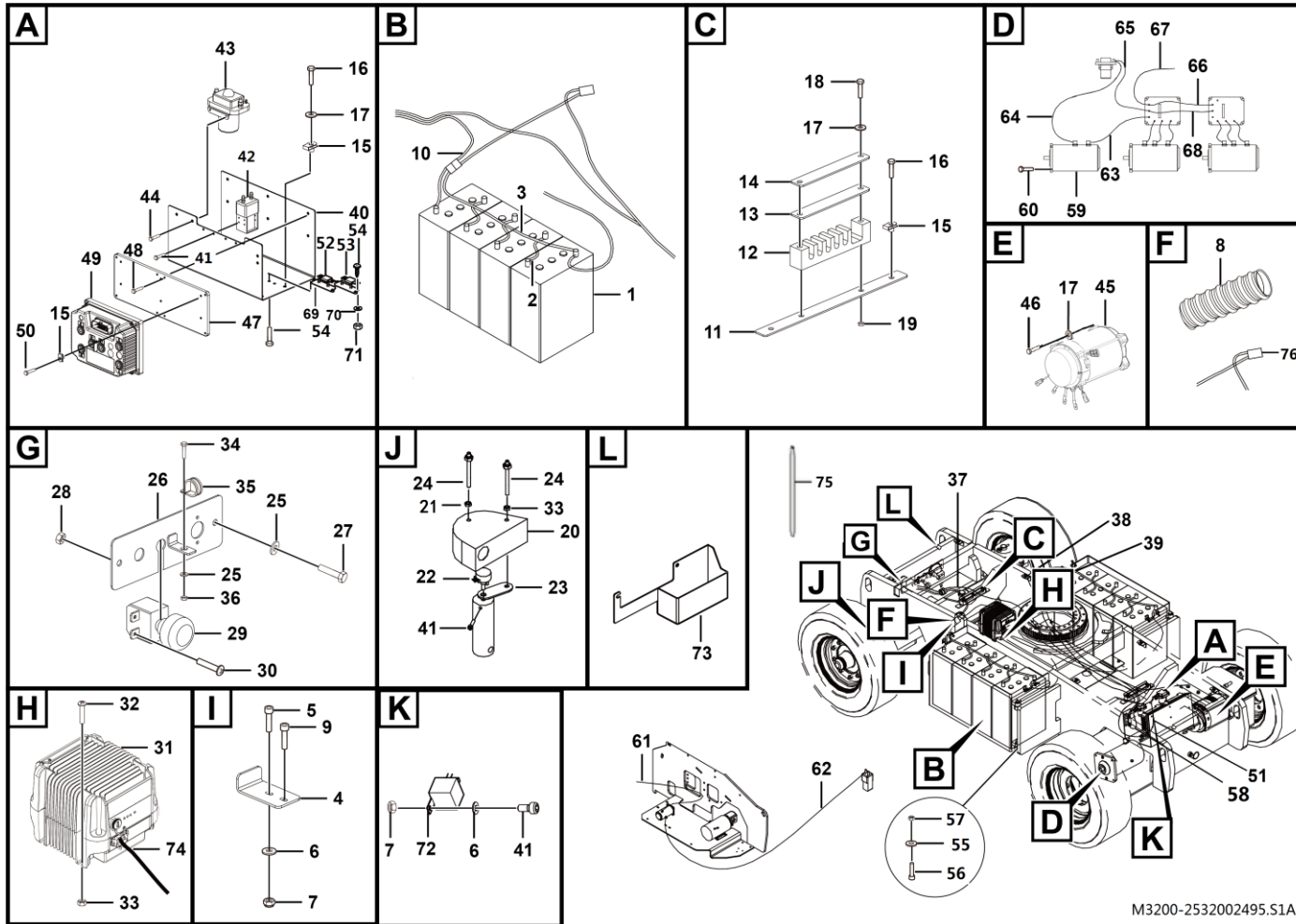


Motor



Key	Part No.	Description	Spare parts Y/N	Qty	Remarks
1	4130701606001	Bolt service kit	Y	1	
2	4130701606002	O-ring	Y	1	
3	4130701606003	Oil seal	Y	1	
4	4130701606004	Bearing	Y	1	
5	4130701606005	Internal retaining ring	Y	1	
6	4130701606006	O-ring	Y	1	
7	4130701606007	Thermal sensor service kit	Y	1	
8	4130701606008	Bearing	Y	1	
9	4130701606009	Wavy washer	Y	1	
10	4130701606010	Vent service kit	Y	1	
11	4130701606011	Gland seal	Y	1	
12	4130701606012	Gland seal	Y	1	
13	4130701606013	Speed sensor service kit	Y	1	
14	4130701606014	Pulse wheel service kit	Y	1	
15	4130701606015	Pulse wheel cover service kit	Y	1	
16	4130701606016	O-ring	Y	1	
17	4130701606017	Rear end cover service kit	Y	1	
18	4130701606018	Brake service kit	Y	1	

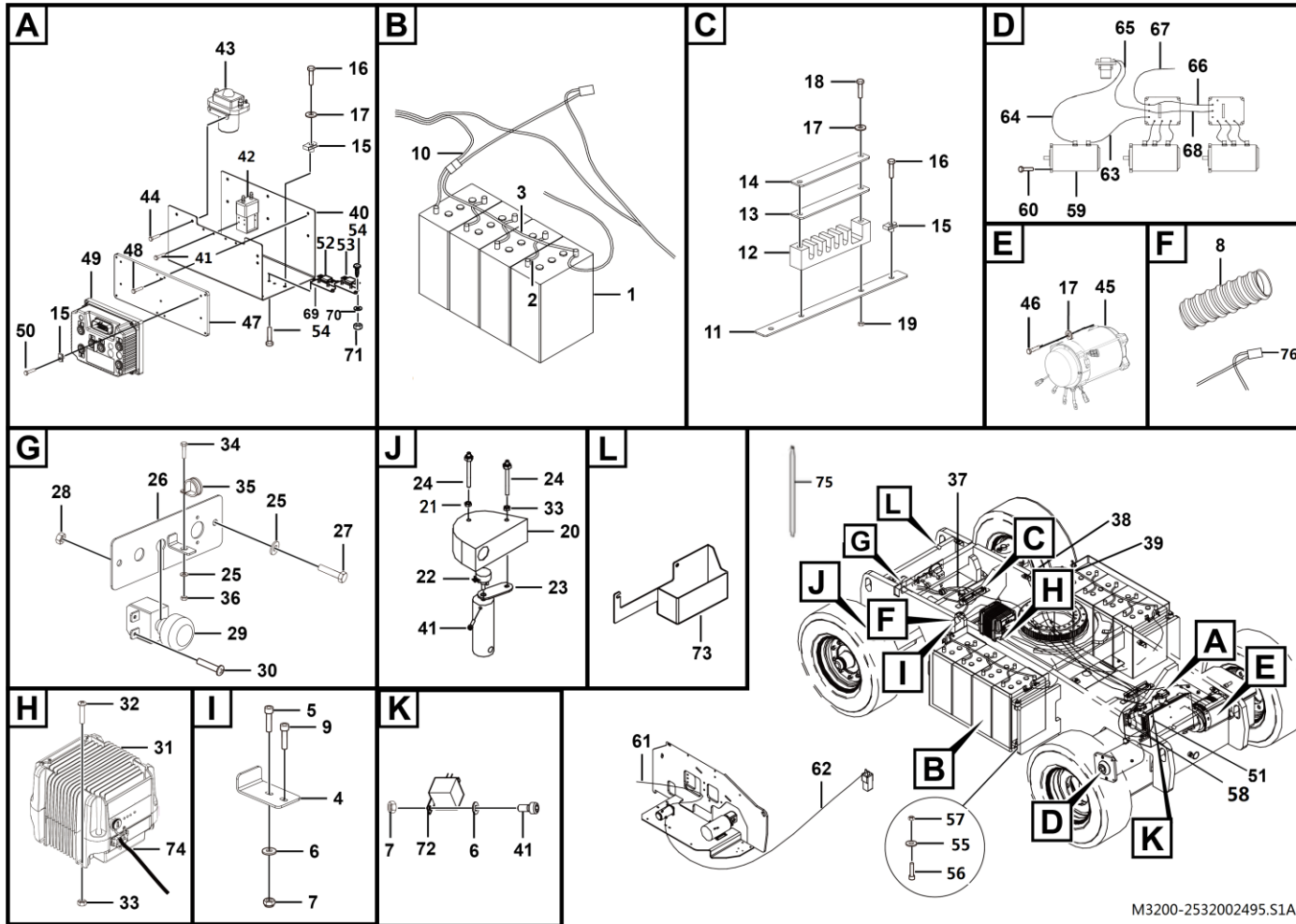
Chassis electric system



M3200-2532002495.S1A

Key	Part No.	Description	Spare parts Y/N	Qty	Remarks
1	4130000939	Battery	Y	8	
2	25320001131	Wire	Y	6	
3	25320001092	Wire	Y	1	
4	25320002791	Plate	Y	2	
5	4011011035	Nut gb70.1-m5*35flznyc-8.8-480	N	4	
6	4015010283	Washer gb97.1-5flznyc-480	Y	25	
7	4013010305	Nut gb889.1-m5flznyc-8-480	Y	11	
8	4120002251	Hose sheath pg-062(600)	Y	2	
9	4014010353	Screwgb70.1-m5*45flznyc-8.8	Y	4	
10	25320004453	Wire	Y	1	
11	25320004391	Plate	Y	1	
12	25080006621	Clamp	Y	1	
13	25320004411	Plate	Y	1	
14	25320004471	Wire	Y	1	
15	4013010383	Reed nut qc339-m8flznyc-8-480	Y	6	
16	4011010711	Bolt gb5783-m8*20flznyc-8.8-480	Y	7	
17	4015010280	Washer gb97.1-8flznyc-480	Y	26	
18	4011010975	Bolt gb5783-m8*60flznyc-8.8-480	Y	4	
19	4013010291	Nut gb6170-m8flznyc-8-480	Y	4	
20	25320010951	Cover	Y	1	
21	4015010284	Washer gb97.1-6flznyc-480	Y	26	
22	4130704181	Steering potentiometer	Y	1	

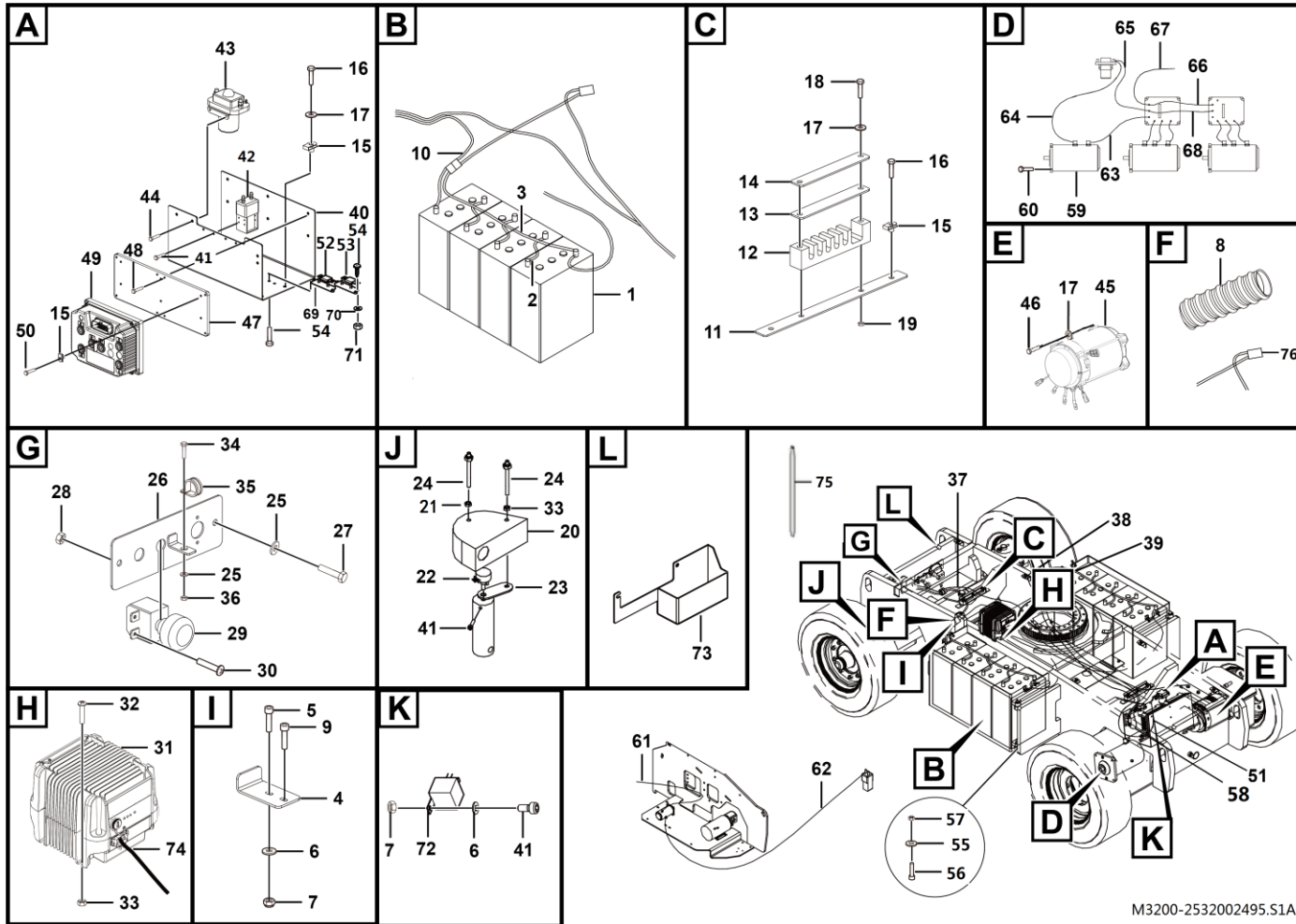
Chassis electric system



M3200-2532002495.S1A

Key	Part No.	Description	Spare parts Y/N	Qty	Remarks
23	25320024101	Potentiometer fixed plate	Y	1	
24	25320010971	Screw	Y	2	
25	4015010339	Washer gb97.1-10flznyc-300hv-480	Y	16	
26	25320013942	Plate	Y	1	
27	4011010732	Bolt gb5782-m10*50flznyc-8.8-480	Y	2	
28	4013010296	Nut gb889.1-m10flznyc-8	Y	2	
29	4130001123	Dc power switch zdk31-250	Y	1	
30	4014010120	Screw gb818-m5*8flznyc-4.8-480	Y	2	
31	4130703197	Charger gpsc3548-lg71	Y	1	
32	4014010132	Screw gb70.1-m6*20flznyc-8.8-480	Y	4	
33	4013010300	Nut gb889.1-m6flznyc-8-480	Y	14	
34	4011010748	Bolt gb5783-m10*20flznyc-8.8-480	Y	2	
35	26370001211	Pipe clamp, for fixing 2nd boom section harness	Y	1	
36	4013010289	Nut gb6170-m10flznyc-8-480	Y	5	
37	25320003482	Wire	Y	1	
38	25320004463	Wire	Y	1	
39	25320002712	Wire	Y	1	
40	25320010701	Plat	Y	1	
41	4014010122	Screw gb70.1-m5*20flznyc-8.8-480	Y	7	
42	4130000628	Connector jcc200/1c24.48a	Y	1	
43	4130703597	Jcc400/ic24.48a	Y	1	
44	4011010744	Bolt gb5783-m6*20flznyc-8.8-480	Y	2	

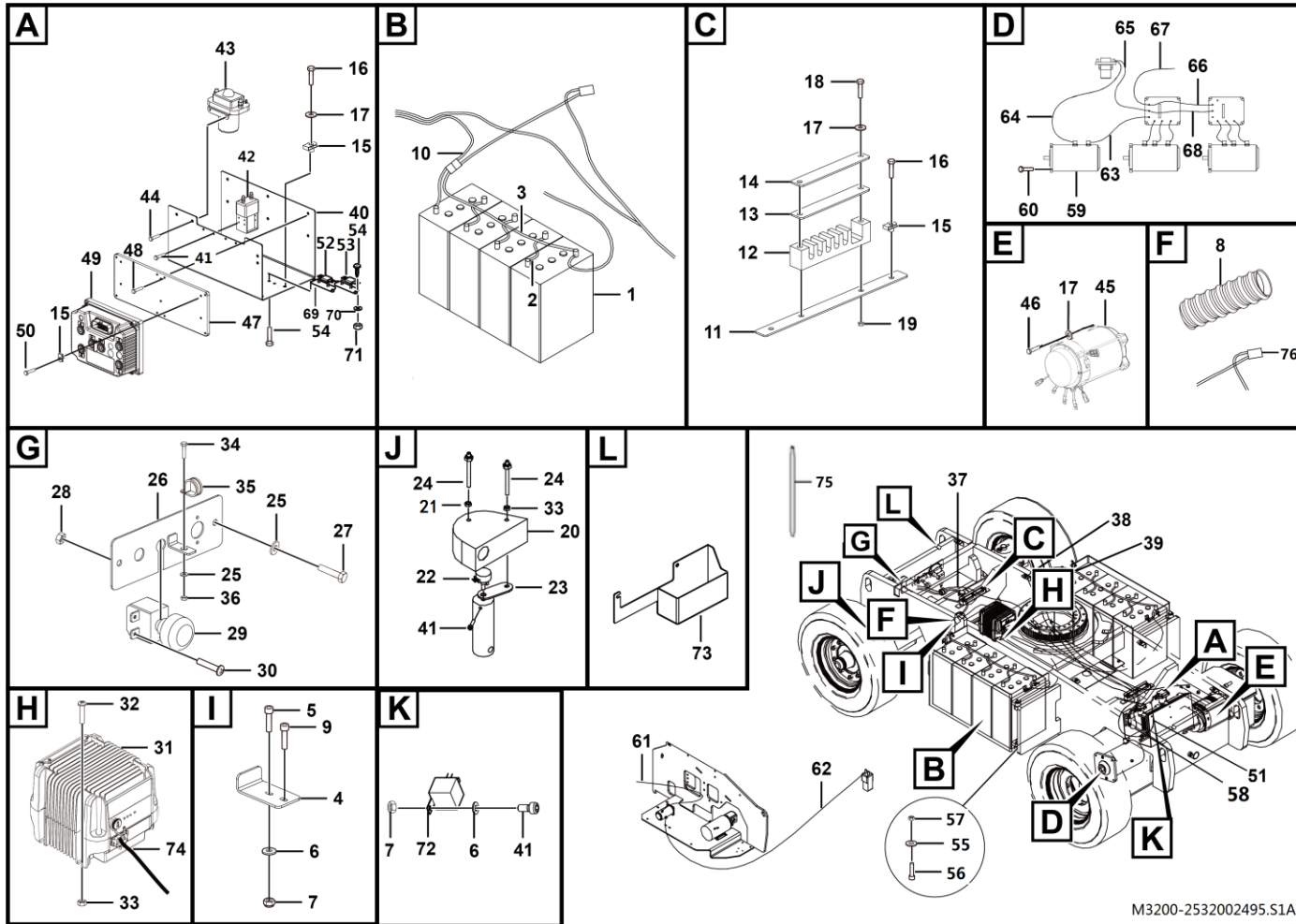
Chassis electric system



M3200-2532002495.S1A

Key	Part No.	Description	Spare parts Y/N	Qty	Remarks
45	4130701606	Motor	Y	2	
46	4014010420	Screw gb70.1-m8*40flznyc-8.8-480	Y	8	
47	25320008381	Plat	Y	1	
48	4014010181	Screw gb70.1-m6*12flznyc-8.8-480	Y	6	
49	4130703335	Motor controller	Y	2	
50	4014010119	Screw gb70.1-m6*25flznyc-8.8-480	Y	8	
51	25320007731	Cable	Y	1	
52	4130701734	Fuse	Y	1	
53	4130703298	Fuse	Y	1	
54	4014010422	Screw gb70.1-m4*16flznyc-8.8-480	Y	4	
55	25320003561	Flat washer8, 16*8.5*2	Y	16	
56	4011010972	Bolt gb5783-m8*35flznyc-8.8-480	Y	16	
57	4013010297	Nut gb889.1-m8flznyc-8-480	Y	17	
58	25320007752	Cable	Y	1	
59	4130000943	Motor	Y	1	
60	4011010707	Bolt gb5783-m10*30flznyc-8.8-480	Y	5	
61	25320007781	Cable	Y	1	
62	25320007762	Cable	Y	1	
63	25320008501	Wire	Y	1	
64	25320008451	Wire	Y	1	
65	25320008901	Wire	N	1	
66	25320008911	Wire	N	1	

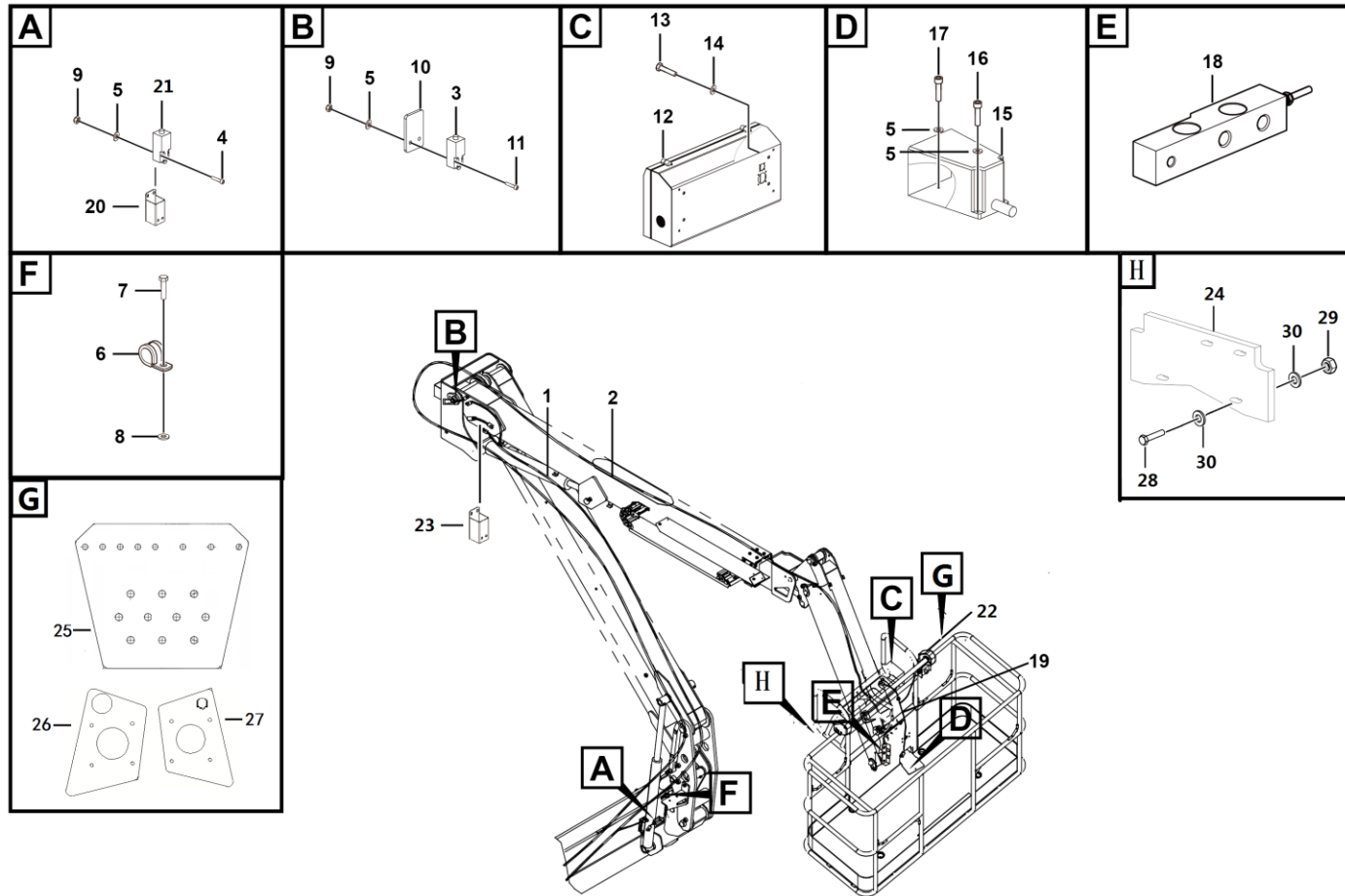
Chassis electric system



M3200-2532002495.S1A

Key	Part No.	Description	Spare parts Y/N	Qty	Remarks
67	25320000951	Wire	Y	1	
68	25320008921	Wire	N	1	
69	4130000956	Fuse holder 02981001zxt	Y	2	
70	4015010290	Washer gb97.1-4flznyc-480	Y	4	
71	4013010304	Nut gb6170-m4flznyc-8-480	Y	4	
72	4130000722	Relay	Y	1	
73	25320012832	Plate	Y	1	
74	25320005421	Cable	Y	1	
75	25320020112	Conductive strip	Y	1	
76	25360001851	Wire	Y	1	

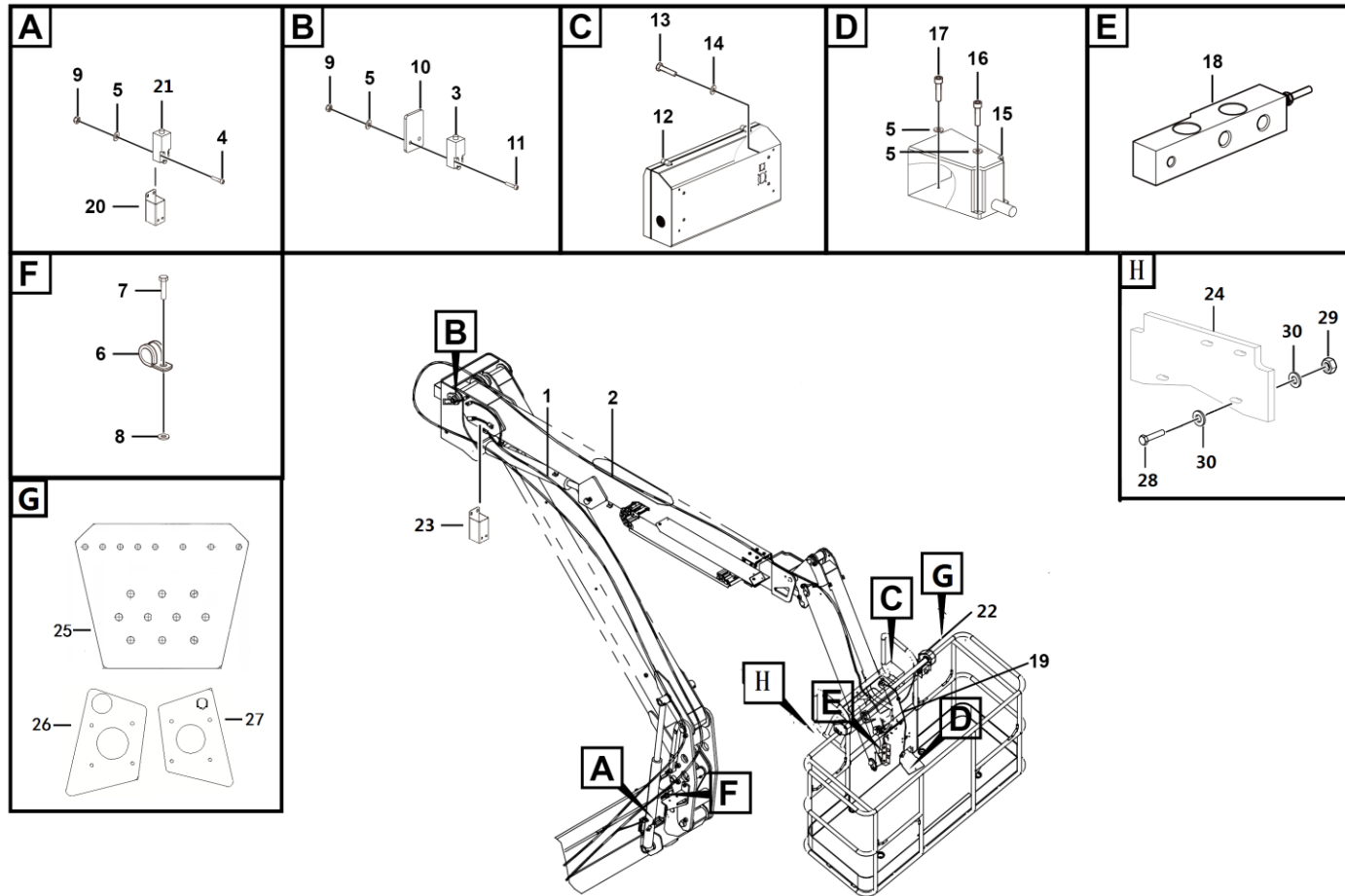
Electric assembly



M3200-2533000278.S1D1

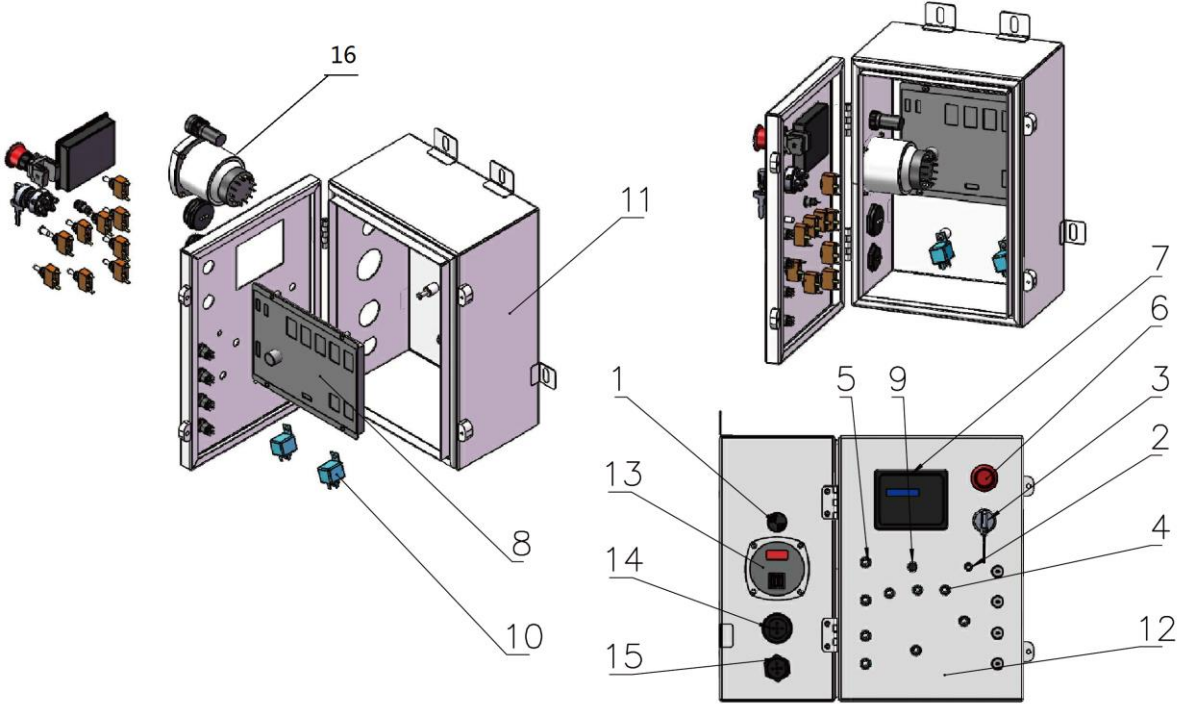
Key	Part No.	Description	Spare parts Y/N	Qty	Remarks
1	25330007381	Wire	Y	1	
2	25330002862	Cable	Y	1	
3	4130702589	Limit switch	Y	2	
4	4014010353	Screwgb70.1-m5*45flznyc-8.8	Y	2	
5	4015010283	Washer gb97.1-5flznyc-480	Y	14	
6	26370001941	Pipe clamp, for fixing limiter connecting wire	Y	1	
7	4011000630	Bolt gb5783-m10*12-8.8	Y	1	
8	4015010279	Washer gb97.1-10flznyc-480	Y	1	
9	4013010305	Nut gb889.1-m5flznyc-8-480	Y	6	
10	25330000971	Limit switch protection weldment	Y	1	
11	4014010421	Screw	Y	4	
12	4130702649	Control box	Y	1	
13	4011010748	Bolt gb5783-m10*20flznyc-8.8-480	Y	4	
14	4015010278	Washer gb96.1-10flznyc-480	Y	4	
15	4130702146	Foot switch hrf-hd3nx-lg	Y	1	
16	4014010122	Screw gb70.1-m5*20flznyc-8.8-480	Y	2	
17	4014010131	Screw gb70.1-m5*16flznyc-8.8-480	Y	1	
18	4130702524	Load sensor	Y	1	
19	25330004982	Platform wire	Y	1	
20	25330005101	Limit switch protection weldment	Y	1	
21	4130701637	Lower limit switch	Y	1	
22	25210041921	Safety protection assembly	N	1	

Electric assembly



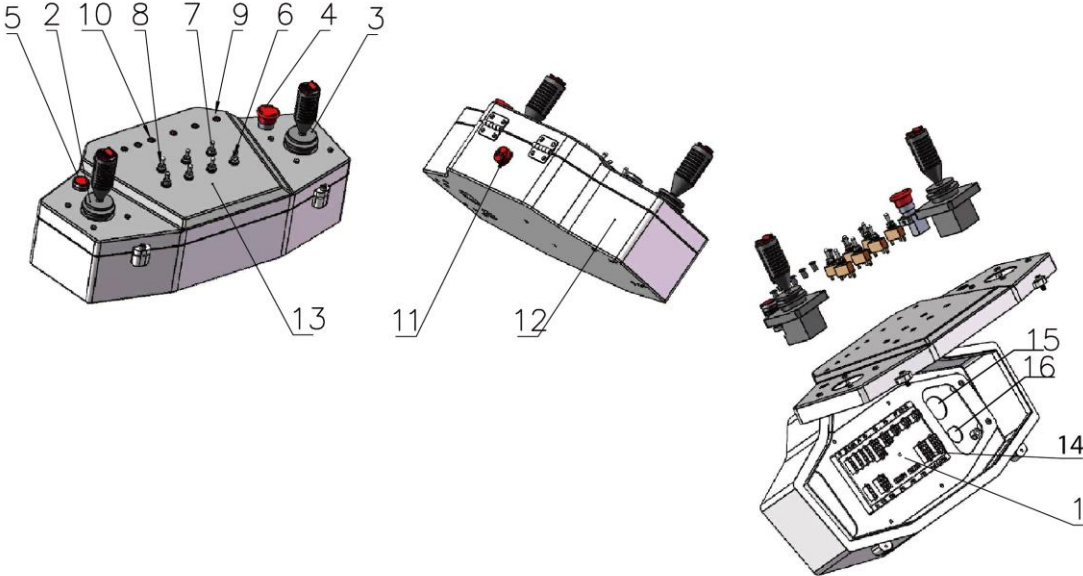
M3200-2533000278.S1D1

Control box



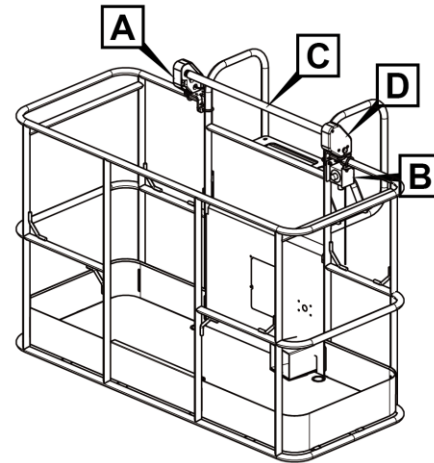
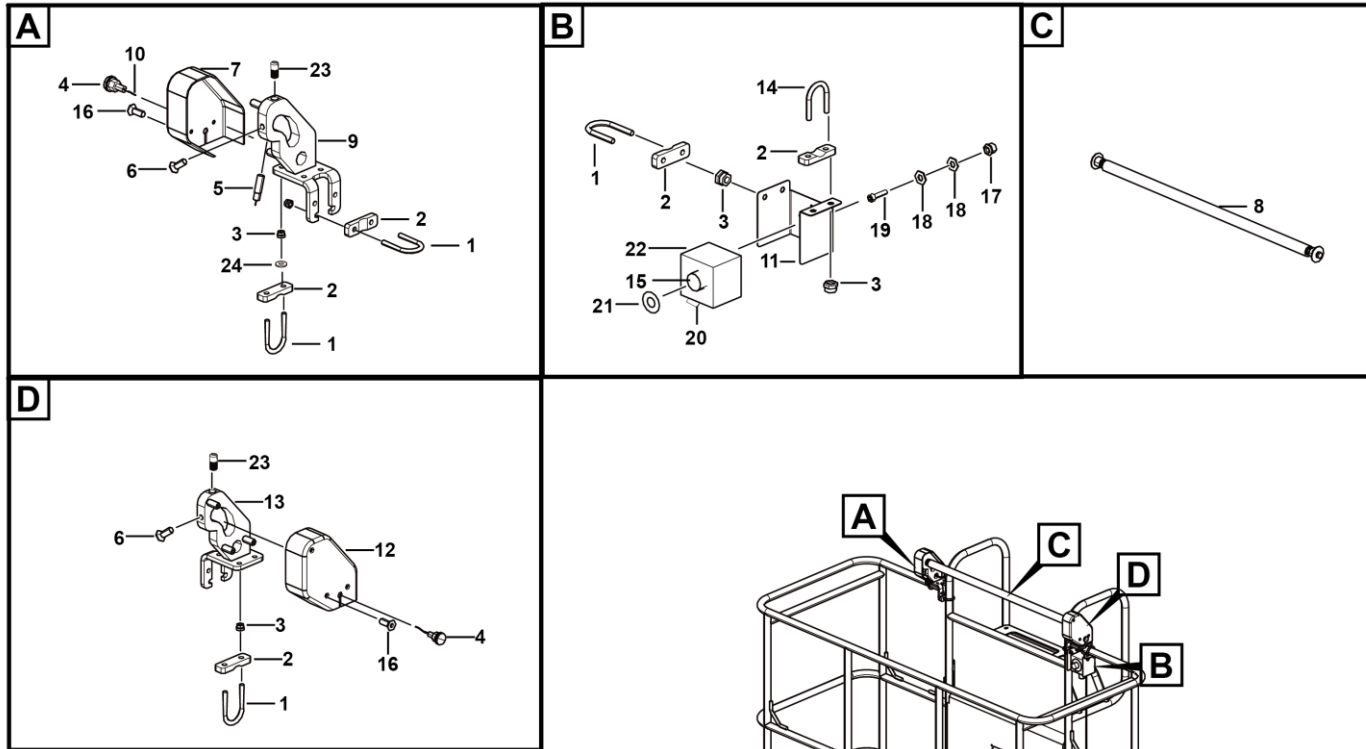
Key	Part No.	Description	Spare parts Y/N	Qty	Remarks
1	4130702397012	Electric buzzer	Y	1	
2	4130701351011	Led	N	1	
3	4130000723	Key switch (key code 4130000723001)	Y	1	
4	4130701351008	Toggle switch	Y	7	
5	4130701351009	Toggle switch	Y	2	
6	4130701964004	Emergency stop switch	Y	1	
7	4130701964005	Displayer	Y	1	
8	4130704067	Gp500	Y	1	
9	4130701964006	Fuse	Y	1	
10	4130701964007	Relay	Y	2	
11	4130702380004	Lower control box	Y	1	
12	4130702380005	Down control label	Y	1	
13	4130000726	Timetable	Y	1	
14	4130701374024	Plug	Y	1	
15	4130701375016	Itt 19-pin plug 192900-0353	Y	1	
16	4130702380006	Lower control harness	Y	1	

Control box



Key	Part No.	Description	Spare parts Y/N	Qty	Remarks
1	4130704073	Gp442	Y	1	
2	4130701351004	Joystick	Y	1	
3	4130701351005	Joystick	Y	1	
4	4130701964004	Emergency stop switch	Y	1	
5	4130701351007	Horn button	Y	1	
6	4130701351008	Toggle switch	Y	4	
7	4130701351009	Toggle switch	Y	1	
8	4130701351010	Toggle switch	Y	1	
9	4130701351011	Led	N	3	
10	4130701351012	Led	Y	5	
11	4130701351013	Alarm	Y	1	
12	4130701351014	Box	Y	1	
13	4130702649002	Eg0000248b	Y	1	
14	4130702649003	Wire	Y	1	
15	4130701375017	Itt 32-pin plug 192900-0074	Y	1	
16	4130701375016	Itt 19-pin plug 192900-0353	Y	1	

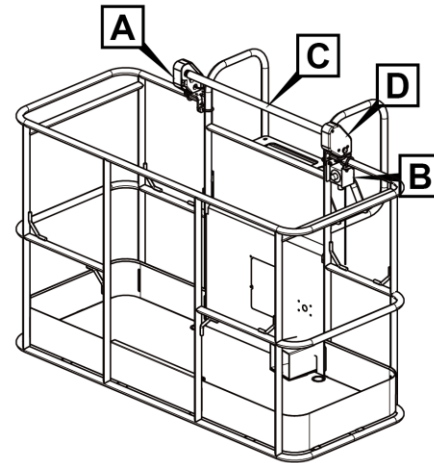
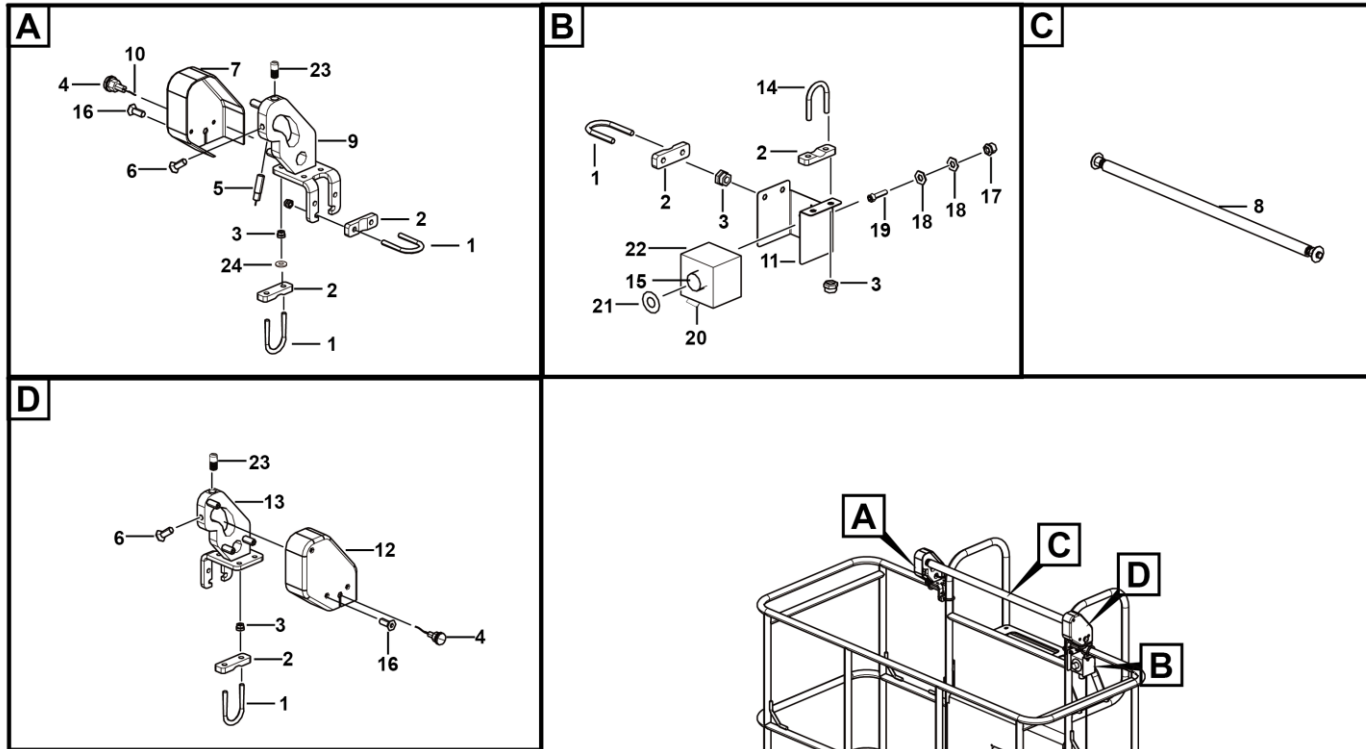
Cover assembly



M3200-2521004192.S1b

Key	Part No.	Description	Spare parts Y/N	Qty	Remarks
1	25210037261	U-bolt m8	Y	4	
2	25210042501	Cushion block, for fixing housing	Y	5	
3	4013010297	Nut gb889.1-m8flznyc-8-480	Y	10	
4	4130702398	Led strobe (blue)	Y	2	
5	4130702389	Proximity switch xs112blpbl-1	Y	2	
6	4014000313	Bolt	Y	1	
7	25210037233	Welding, left housing, anti-crushing system	Y	1	
8	25210042461	Safety bar assembly	N	1	
9	25210042423	Welding, left support, safety protection	Y	1	
10	25330006692	Cable	Y	1	
11	25330005051	Forming (stamping, etc.), reset switch mounting plate	Y	1	
12	25210037243	Welding, anti-crushing system right housing	Y	1	
13	25210042433	Weldment, right housing, safety protection right support	Y	1	
14	25330005041	U-bolt, 33	N	1	
15	4130702119	Reset switch xb2ba42c	Y	1	
16	4014010452	Screwgb/t70.3-m6*16flznyc-8.8-480	Y	6	
17	4013010360	Nut gb889.1-m4flznyc-8-480	Y	2	
18	4015010381	Washer gb97.1-4flznyc-300hv-480	Y	4	
19	4014010422	Screw gb70.1-m4*16flznyc-8.8-480	Y	2	
20	4019010208	Waterproof fitting pg13.5	Y	1	
21	25340018012	Reset switch decal	Y	1	
22	4130702120	Switch button box xalb01yc	Y	1	

Cover assembly



M3200-2521004192.S1b

Anti-crushing rod assembly

